



US00D766465S

(12) **United States Design Patent** (10) **Patent No.:** **US D766,465 S**
Honda (45) **Date of Patent:** **** Sep. 13, 2016**

- (54) **FASTENING MEMBER**
- (71) Applicant: **NICHIHA CORPORATION**,
Nagoya-shi, Aichi (JP)
- (72) Inventor: **Takashi Honda**, Nagoya (JP)
- (73) Assignee: **NICHIHA CORPORATION**,
Nagoya-Shi (JP)
- (**) Term: **14 Years**
- (21) Appl. No.: **29/512,965**
- (22) Filed: **Dec. 23, 2014**
- (51) **LOC (10) Cl.** **25-01**
- (52) **U.S. Cl.**
USPC **D25/119**
- (58) **Field of Classification Search**
USPC D25/119, 121, 122, 123, 126, 136, 164;
D20/43, 44, 10; D8/373, 349, 355,
D8/354, 377, 366, 381, 380
CPC A47F 5/0025; A47F 5/0068; A47F 1/126;
A47F 2005/0012; A47F 5/00; A47F 5/10;
A47F 7/08; A47F 7/145; A47F 7/285;
A47F 1/125; A47F 5/01; A47F 5/0815;
A47F 5/16; A47F 7/286; A47F 7/30; E04B
1/4121; E04B 1/4157; E04B 2/88; E04B
2/90; E04B 1/6183; E04B 1/2608; E04B
7/02; E04B 9/30; E04F 13/23; E04F
13/0814; E04F 21/185; E04F 21/1855;
F16B 5/0225; F16B 5/0233
See application file for complete search history.

D649,015 S *	11/2011	Honda	D8/349
D656,393 S *	3/2012	Honda	D8/349
D666,033 S *	8/2012	Sauer	D8/377
D671,816 S *	12/2012	Stone	D8/349
D679,172 S *	4/2013	Dixon	D8/354
2006/0272255 A1 *	12/2006	Honda	E04F 19/02 52/506.05

FOREIGN PATENT DOCUMENTS

JP 1505126 8/2014

* cited by examiner

Primary Examiner — Robert M Spear

Assistant Examiner — Eliza Bennett-Hattan

(74) *Attorney, Agent, or Firm* — Birch, Stewart, Kolasch & Birch, LLP

(57) **CLAIM**

The ornamental design for a fastening member, as shown and described.

DESCRIPTION

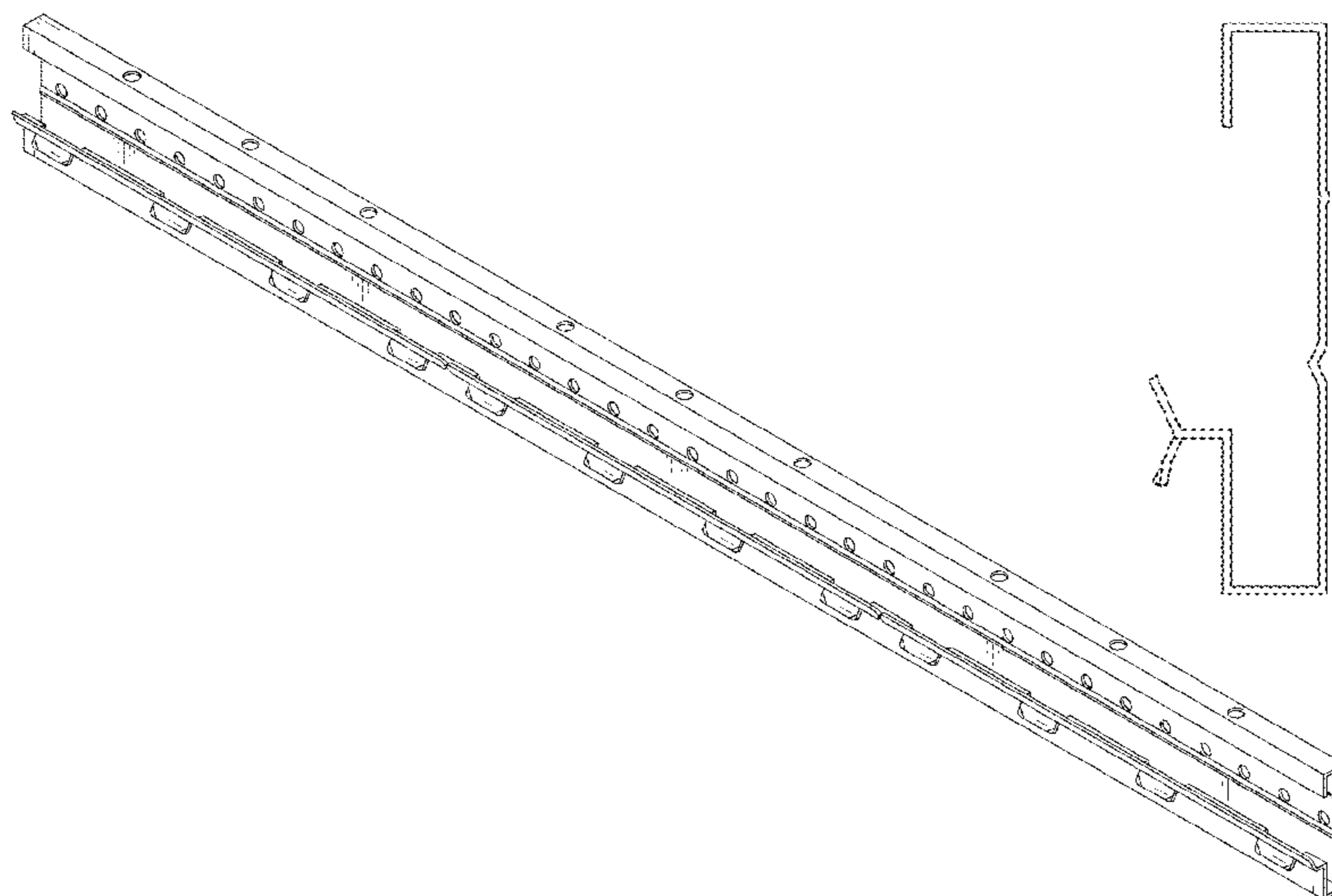
FIG. 1 is a front view of a fastening member showing my new design;
 FIG. 2 is a back view thereof;
 FIG. 3 is a top view thereof;
 FIG. 4 is a bottom view thereof;
 FIG. 6 is a left side view thereto;
 FIG. 7 is a front, right perspective view thereof;
 FIG. 8 is a partial enlarged view of the front view thereof;
 FIG. 9 is a partial enlarged view of the back view thereof;
 FIG. 10 is a partial enlarged view of the top view thereof;
 FIG. 11 is a partial enlarged view of the bottom view thereof;
 FIG. 12 is a partial enlarged view of the right side view thereof;
 FIG. 13 is a partial enlarged view of the left side view thereto; and,
 FIG. 14 is a partial enlarged view of the front, right perspective view thereof.

1 Claim, 14 Drawing Sheets

(56) **References Cited**

U.S. PATENT DOCUMENTS

D309,560 S *	7/1990	Warlick	D8/355
D323,088 S *	1/1992	Fler	D25/119
D580,992 S *	11/2008	Garfinkle	D20/43
D609,553 S *	2/2010	Koizumi	D8/354
D638,687 S *	5/2011	Minkley	D8/349



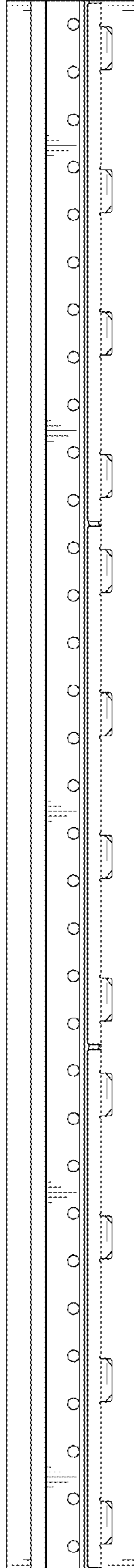


FIG.1

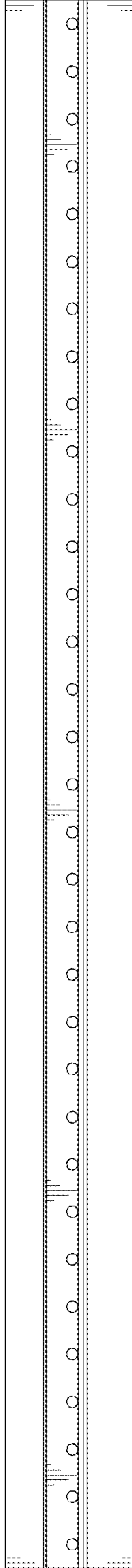


FIG.2

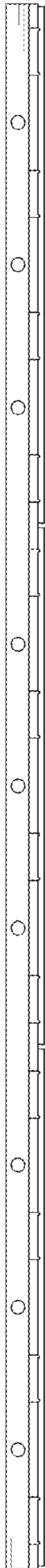


FIG.3

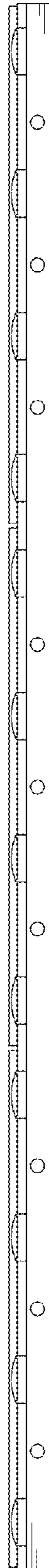


FIG.4

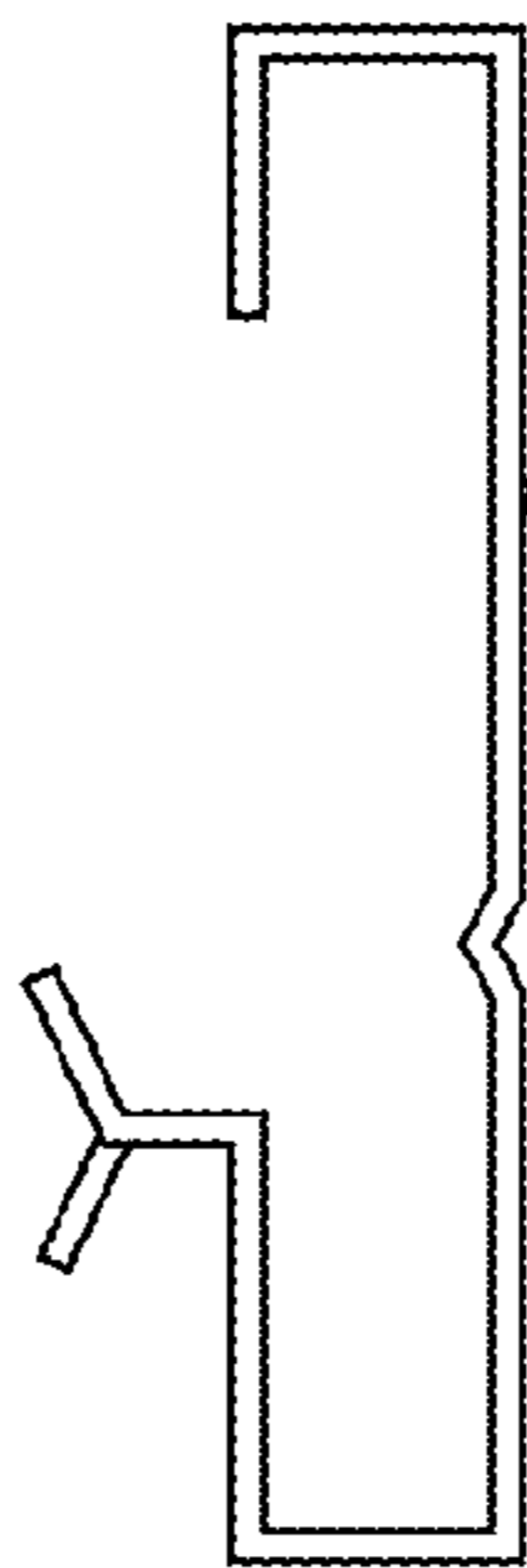


FIG.5



FIG.6

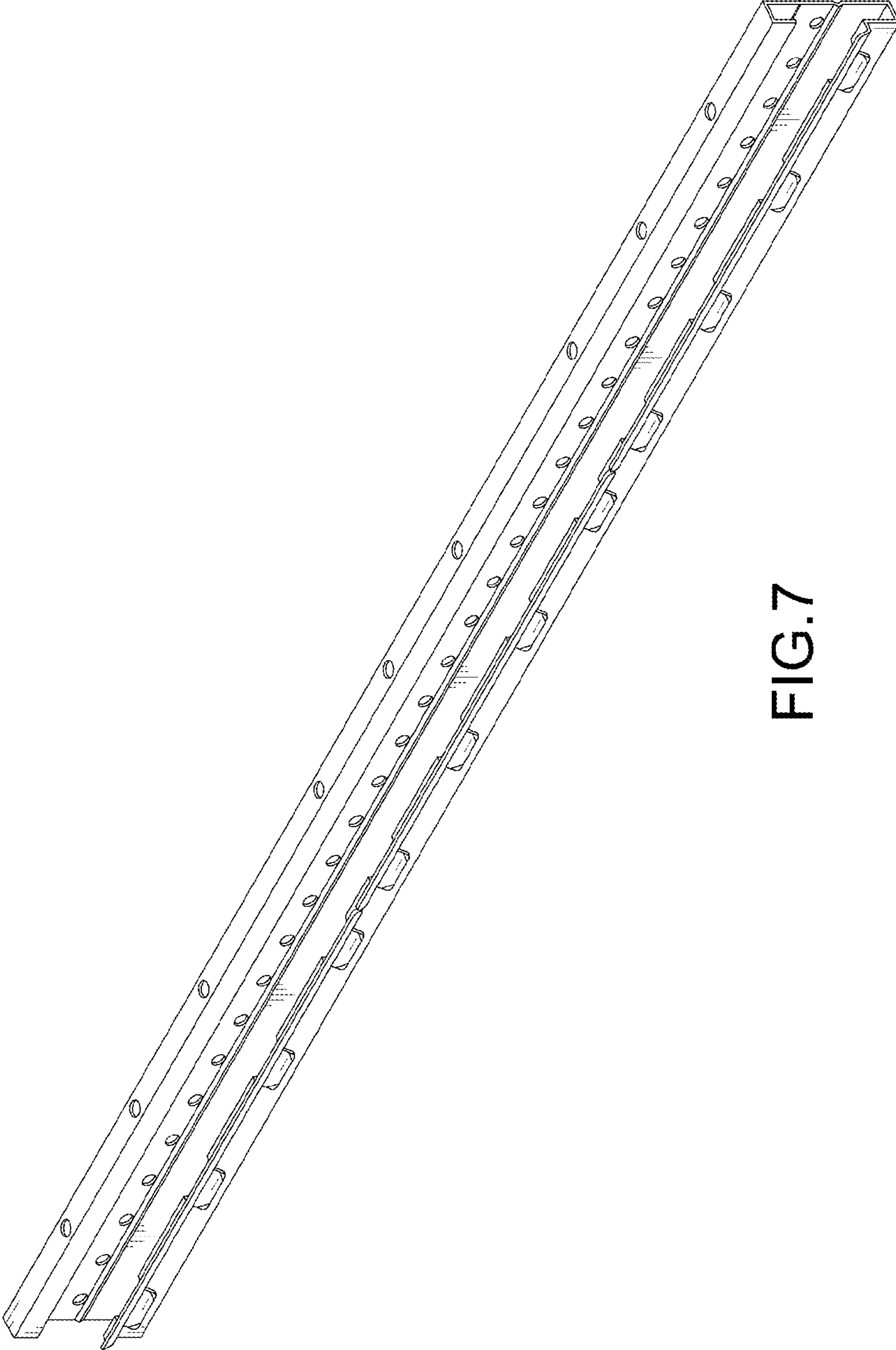


FIG.7

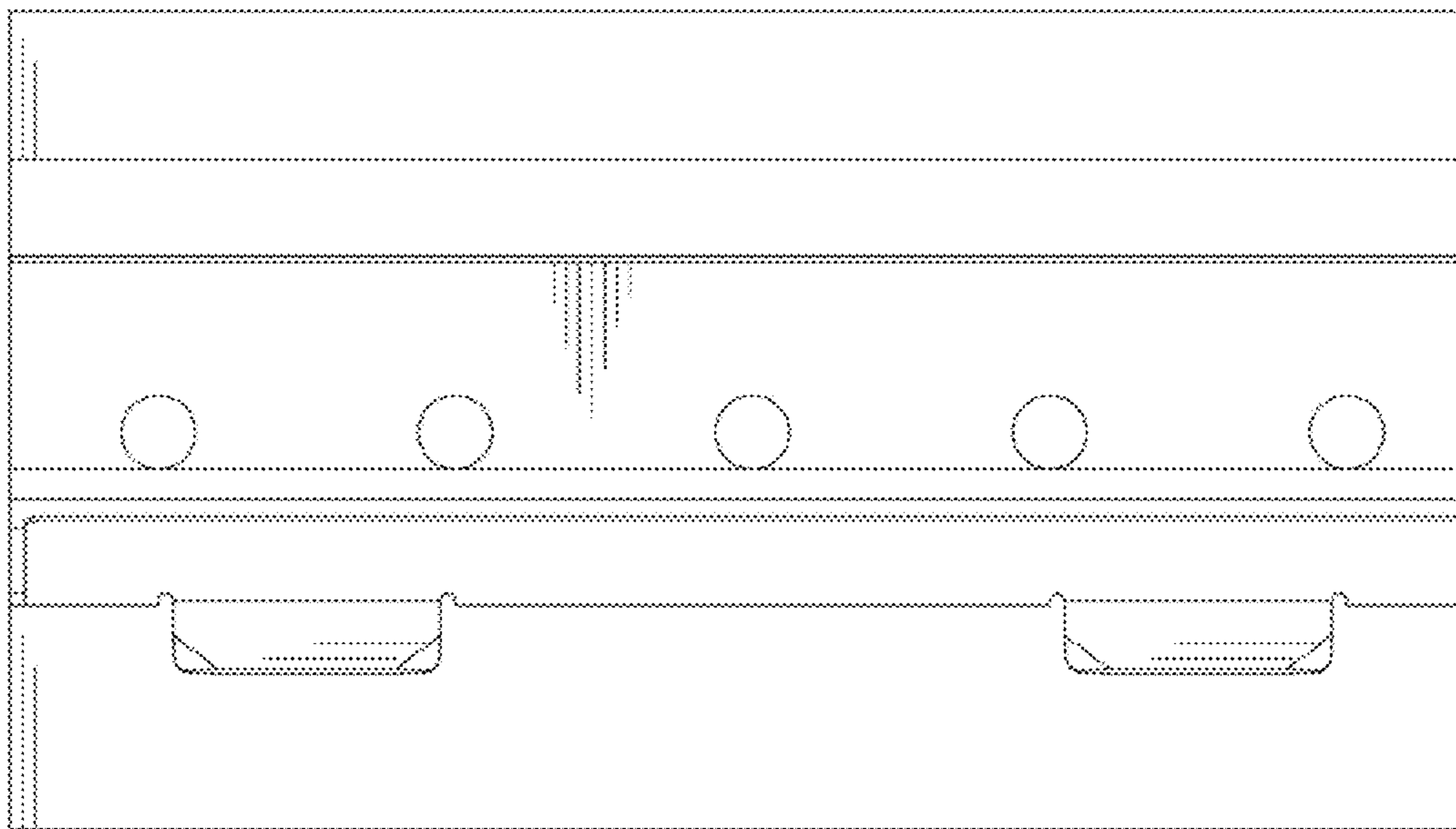


Fig. 8

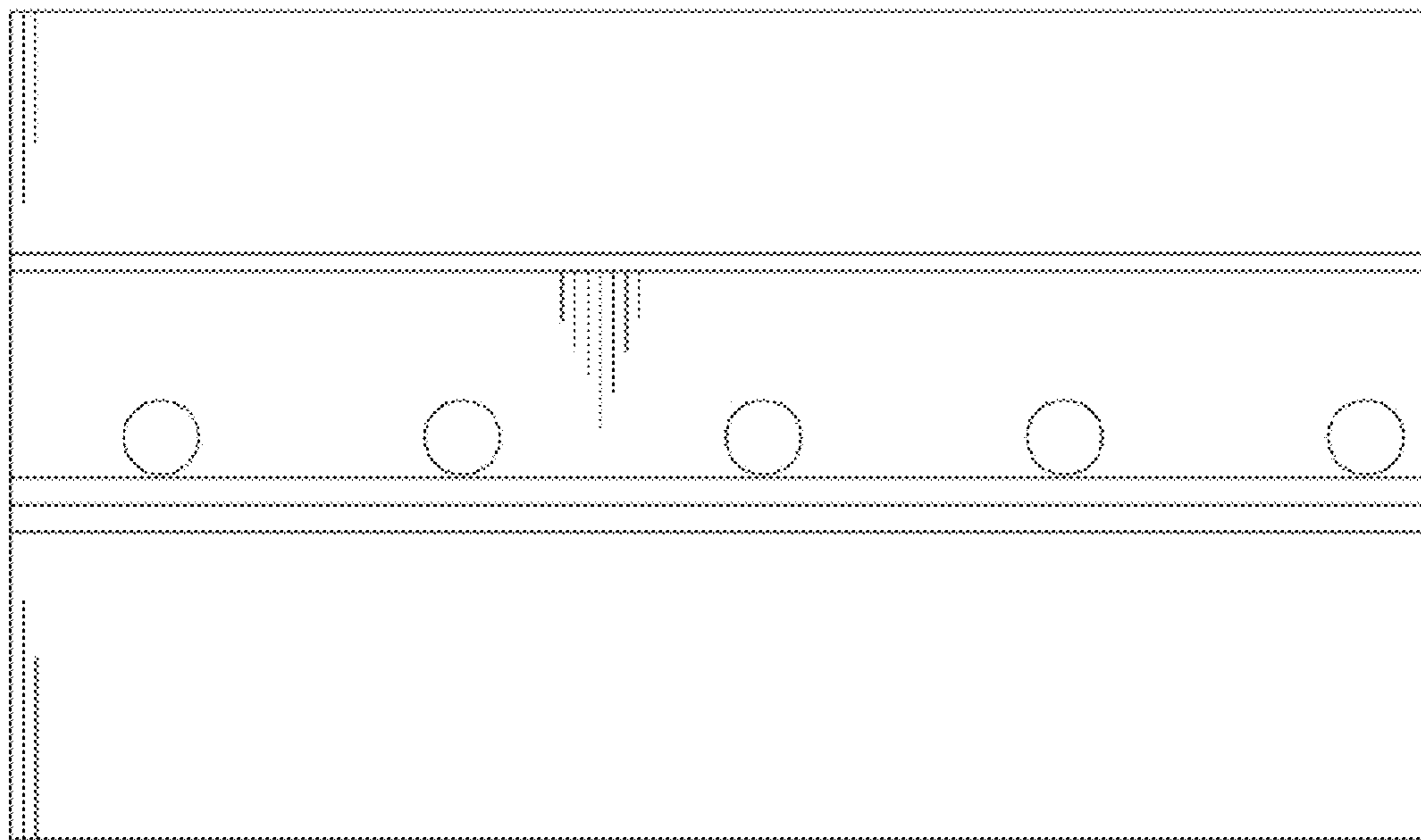


Fig. 9

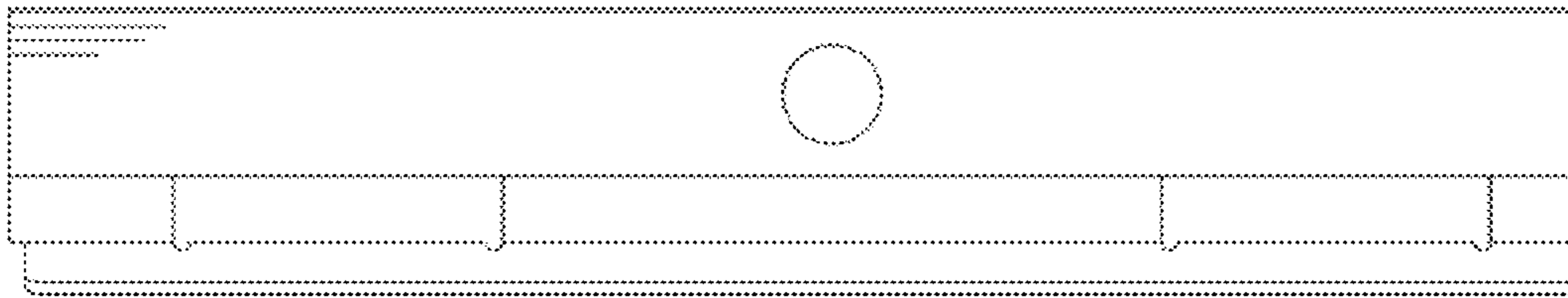


Fig. 10

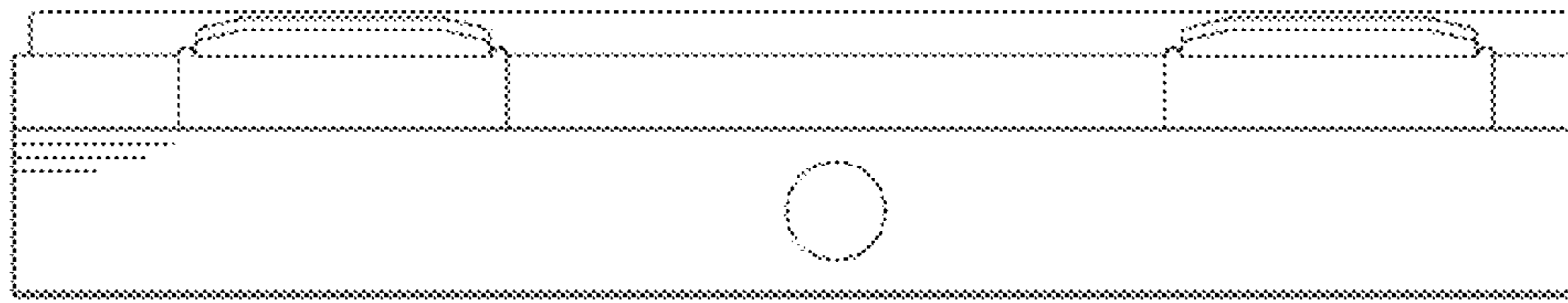


Fig. 11

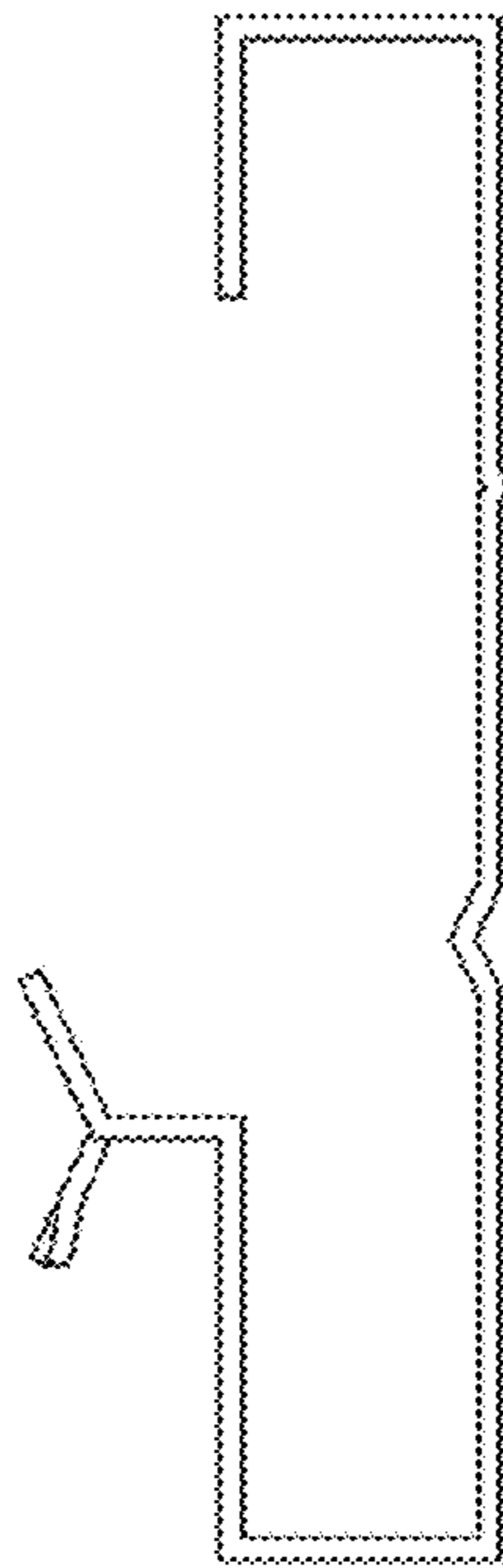


Fig. 12



Fig. 13

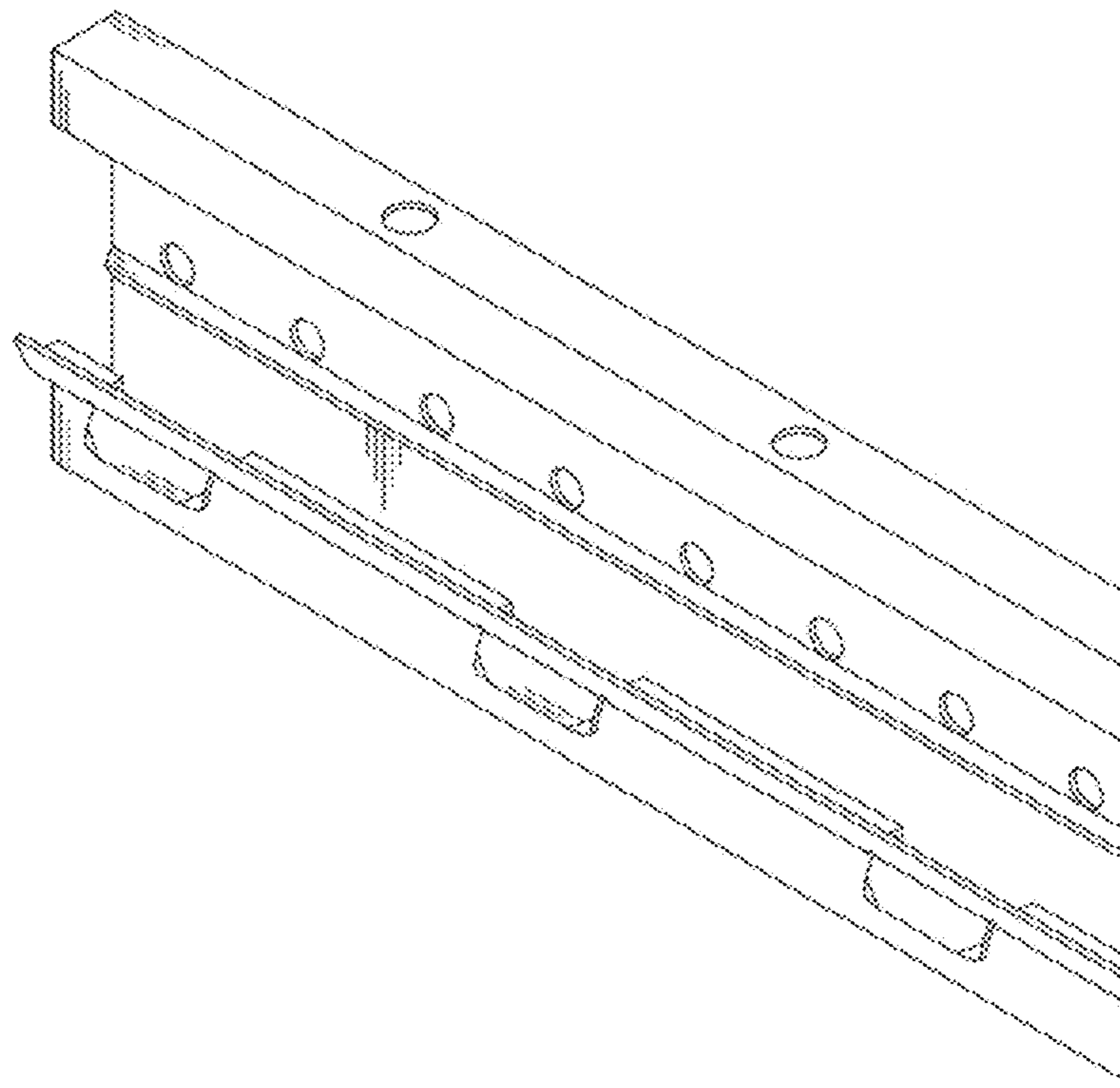


Fig. 14