



US00D766463S

(12) **United States Design Patent** (10) **Patent No.:** **US D766,463 S**
Moss et al. (45) **Date of Patent:** **** Sep. 13, 2016**

(54) **TOP CAP FOR LADDER**
(71) Applicant: **Wing Enterprises, Incorporated**,
Springville, UT (US)
(72) Inventors: **N. Ryan Moss**, Mapleton, UT (US);
Benjamin L. Cook, Provo, UT (US);
Sean R. Peterson, Santaquin, UT (US)
(73) Assignee: **Wing Enterprises, Inc.**, Springville,
UT (US)

D541,433 S * 4/2007 Wise D25/68
D549,356 S 8/2007 Gibson
D597,685 S 8/2009 Gibson et al.
7,931,123 B2 4/2011 Moldthan et al.
8,210,313 B2 7/2012 Astor
8,272,478 B2 9/2012 Astor et al.
8,365,863 B2 2/2013 Astor
8,376,085 B2 2/2013 Astor et al.
8,453,796 B2 6/2013 Astor et al.
8,528,696 B2 9/2013 Astor
2015/0090533 A1* 4/2015 Moss E06C 1/16
182/180.1

(**) Term: **14 Years**
(21) Appl. No.: **29/501,487**
(22) Filed: **Sep. 4, 2014**
(51) **LOC (10) Cl.** **25-04**
(52) **U.S. Cl.**
USPC **D25/68**
(58) **Field of Classification Search**
USPC D25/62-69; 182/156, 152, 162, 112,
182/113, 215, 220, 120, 106, 23, 26, 115,
182/129, 201, 207, 103, 245, 2.11, 102,
182/151, 107, 21, 180.1, 194, 130, 132,
182/67.4, 157, 161, 230, 172, 109, 111,
182/176, 173, 174, 177; 248/210
CPC E06C 5/04; E06C 7/00; E06C 1/383;
E06C 7/02; E06C 1/26; E06C 1/28; E06C
1/30; E06C 1/14
See application file for complete search history.

OTHER PUBLICATIONS

Design U.S. Appl. No. 29/501,490, filed Sep. 4, 2014.
Design U.S. Appl. No. 29/501,501, filed Sep. 4, 2014.
Design U.S. Appl. No. 29/501,506, filed Sep. 4, 2014.

* cited by examiner

Primary Examiner — Cynthia Ramirez
Assistant Examiner — Gino Colan
(74) *Attorney, Agent, or Firm* — Holland & Hart LLP

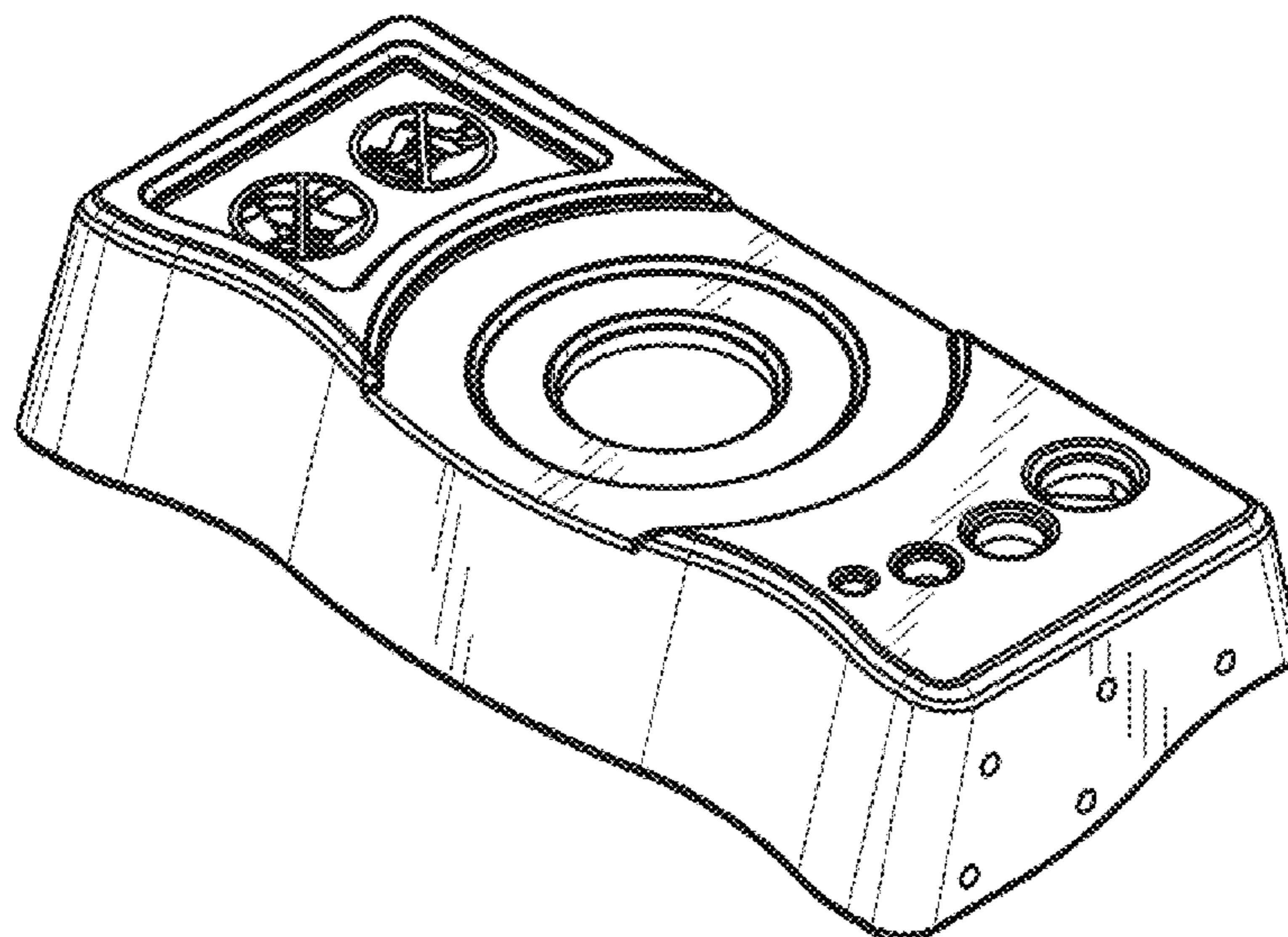
(57) **CLAIM**
The ornamental design for a top cap for a ladder, as shown
and described.

DESCRIPTION

FIG. 1 is a top view of a top cap for ladder showing an
embodiment of the design;
FIG. 2 is a perspective view of the top cap shown in FIG. 1;
FIG. 3 is a left side view of the top cap shown in FIG. 1;
FIG. 4 is a right side view of the top cap shown in FIG. 1;
FIG. 5 is a front view of the top cap for ladder shown in FIG.
1; and,
FIG. 6 is a rear view of the top cap for ladder shown in FIG.
1.
The uneven broken line representations in the drawings are
for illustrative purposes only and form no part of the claimed
design.

1 Claim, 1 Drawing Sheet

(56) **References Cited**
U.S. PATENT DOCUMENTS
2,109,886 A 3/1938 Lewis
D310,884 S * 9/1990 Patton D25/68
D340,773 S 10/1993 Bartnicki et al.
5,722,507 A 3/1998 Kain
D422,717 S 4/2000 Bartnicki et al.
D530,025 S 10/2006 Patton et al.
D531,322 S 10/2006 Patton et al.



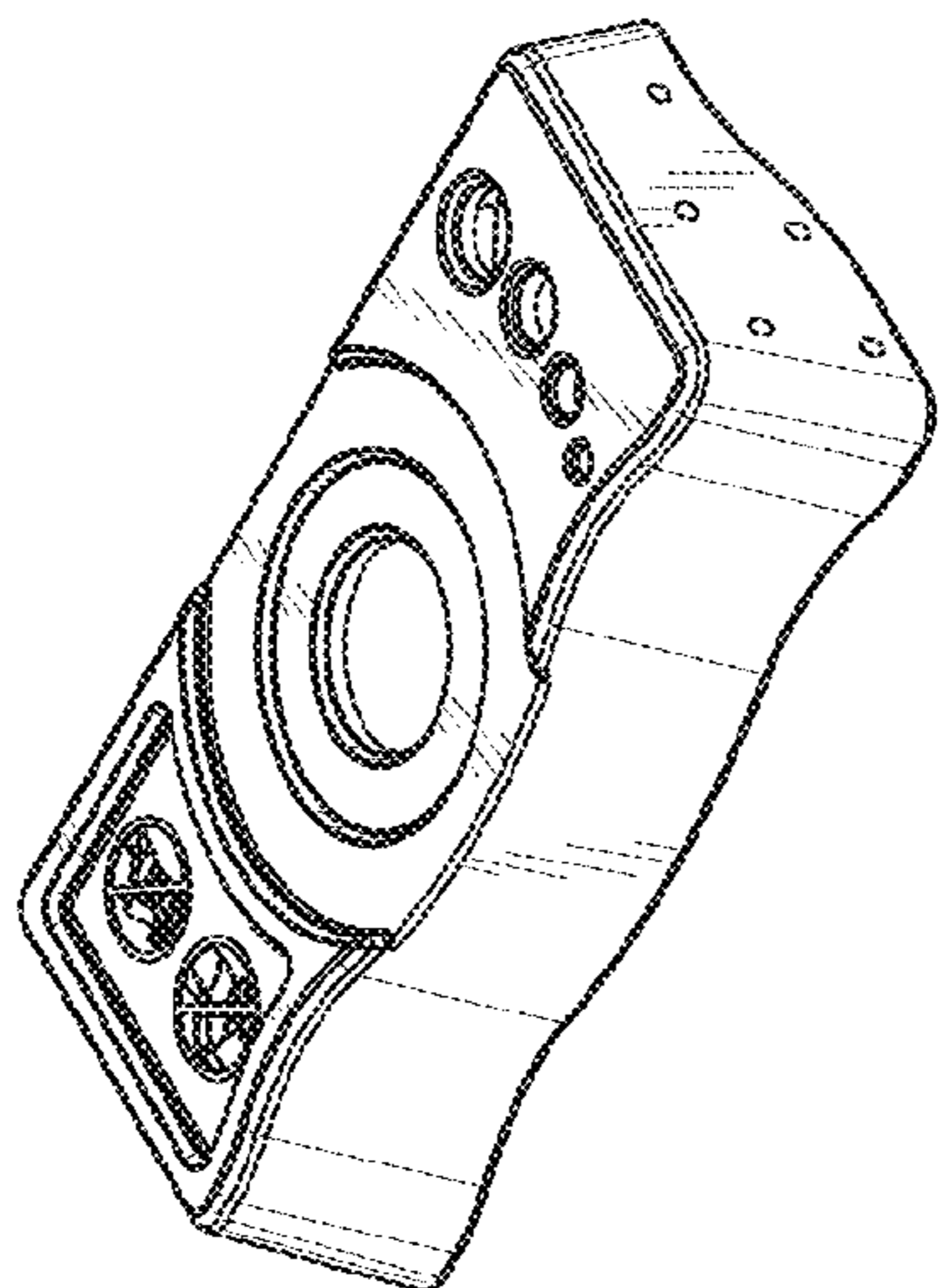


FIG. 1

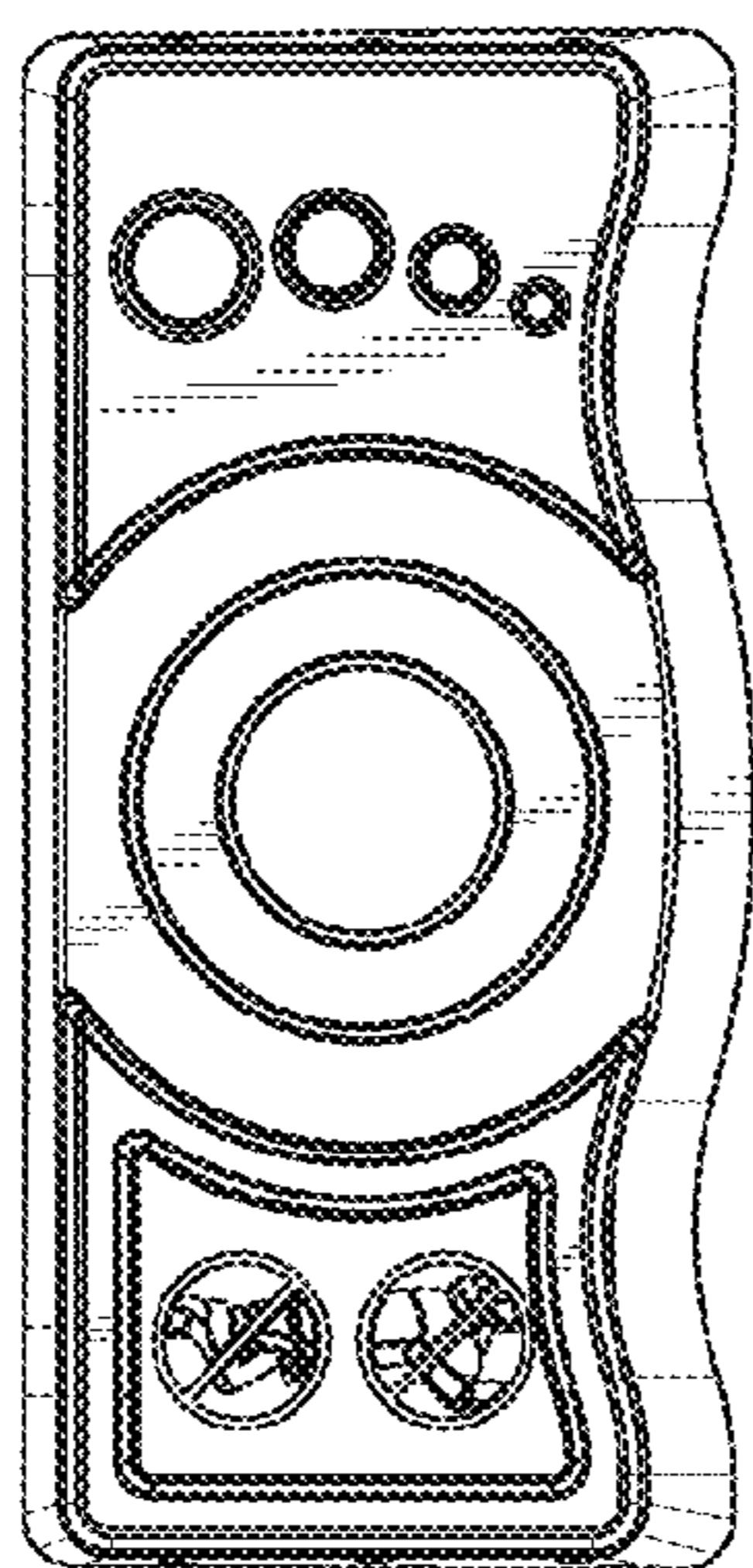


FIG. 2

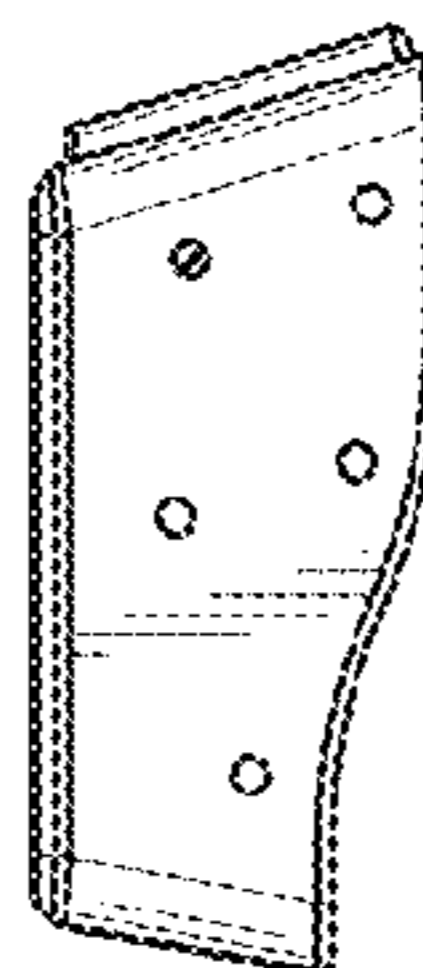


FIG. 3

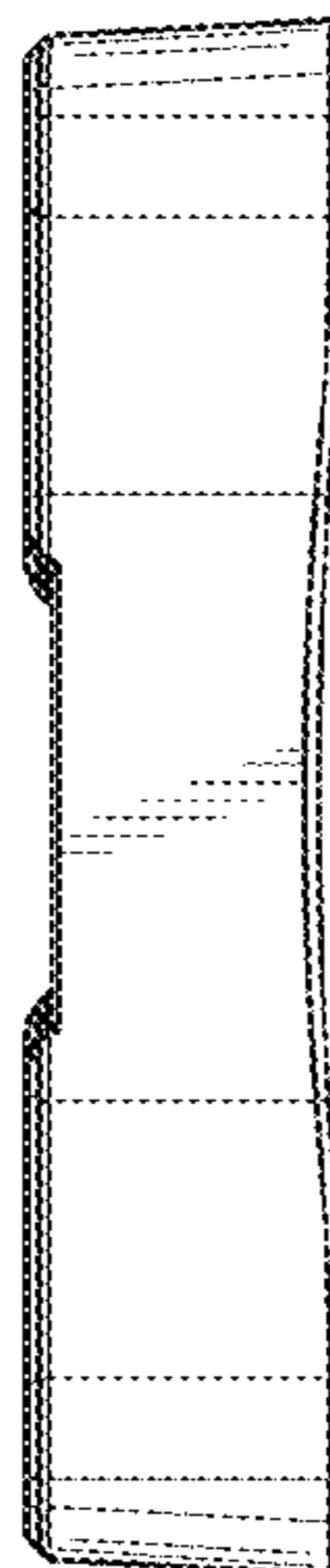


FIG. 4

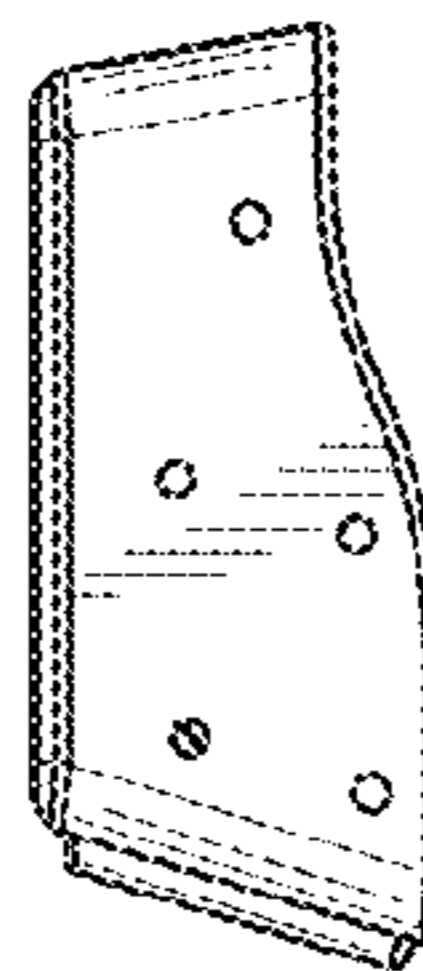


FIG. 5

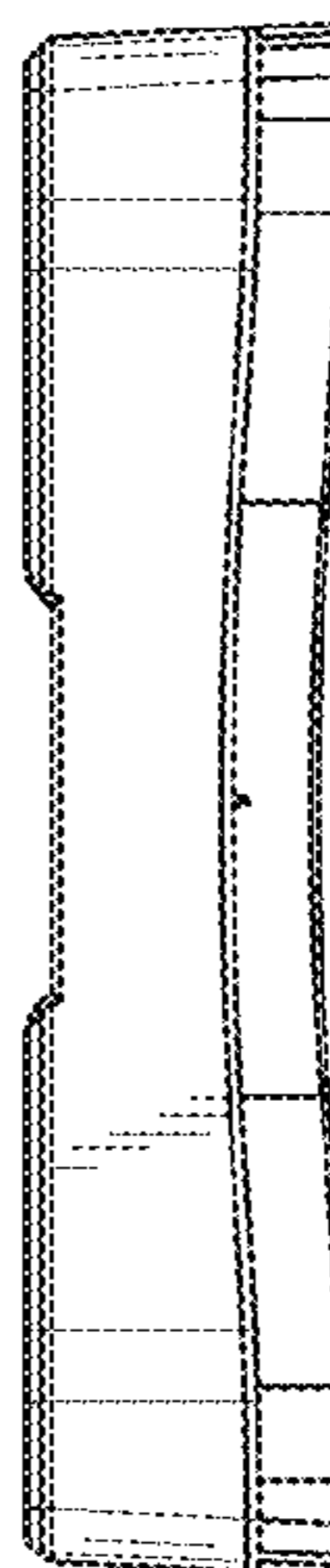


FIG. 6