



US00D766462S

(12) **United States Design Patent** (10) **Patent No.:** **US D766,462 S**
Moss et al. (45) **Date of Patent:** **** Sep. 13, 2016**

(54) **LADDER**
(71) Applicant: **Wing Enterprises, Incorporated,**
Springville, UT (US)
(72) Inventors: **N. Ryan Moss,** Mapleton, UT (US);
Benjamin L. Cook, Provo, UT (US);
Sean R. Peterson, Santaquin, UT (US)
(73) Assignee: **Wing Enterprises, Inc.,** Springville,
UT (US)
(**) Term: **14 Years**

D554,771 S * 11/2007 Skubic D25/64
D576,290 S * 9/2008 Meyers D25/64
7,931,123 B2 4/2011 Moldthan et al.
D722,181 S * 2/2015 Green D25/64
2007/0193828 A1* 8/2007 Astor E06C 1/39
182/129
2008/0029339 A1 2/2008 Yewer
2010/0116592 A1* 5/2010 Clements E06C 1/39
182/180.1
2014/0054111 A1* 2/2014 Lu E06C 7/44
182/107
2014/0332316 A1* 11/2014 Tiber E06C 7/14
182/129
2015/0090533 A1* 4/2015 Moss E06C 1/16
182/180.1

(21) Appl. No.: **29/501,506**
(22) Filed: **Sep. 4, 2014**
(51) **LOC (10) Cl.** **25-04**
(52) **U.S. Cl.**
USPC **D25/64**
(58) **Field of Classification Search**
USPC D25/62-69; 182/156, 152, 162, 112,
182/113, 215, 220, 120, 106, 23, 26, 115,
182/129, 201, 207, 103, 245, 2.11, 102,
182/151, 107, 21, 180.1, 194, 130, 132,
182/67.4, 157, 161, 230, 172, 109, 176,
182/173, 174, 177; 248/210
CPC E06C 5/04; E06C 7/00; E06C 1/383;
E06C 7/02; E06C 1/26; E06C 1/28; E06C
1/30
See application file for complete search history.

OTHER PUBLICATIONS

Design U.S. Appl. No. 29/501,487, filed Sep. 4, 2014.
Design U.S. Appl. No. 29/501,490, filed Sep. 4, 2014.
Design U.S. Appl. No. 29/501,501, filed Sep. 4, 2014.

* cited by examiner

Primary Examiner — Cynthia Ramirez
Assistant Examiner — Gino Colan
(74) *Attorney, Agent, or Firm* — Holland & Hart, LLP

(57) **CLAIM**

The ornamental design for a ladder, as shown and described.

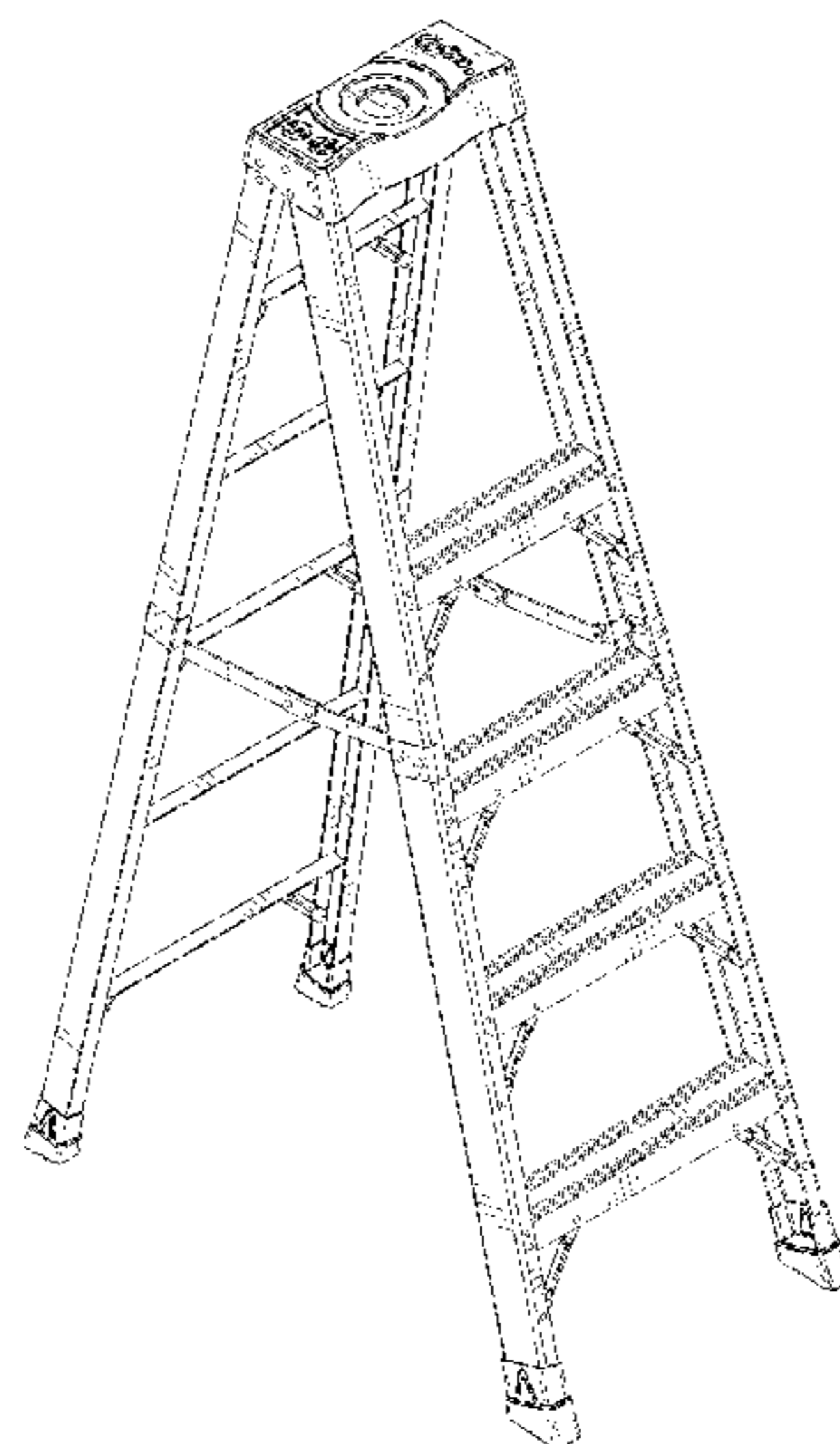
DESCRIPTION

FIG. 1 is a perspective view of a ladder showing an embodiment of the design;
FIG. 2 is a front view of the ladder shown in FIG. 1;
FIG. 3 is a rear view of the ladder shown in FIG. 1;
FIG. 4 is a left side view of the ladder shown in FIG. 1;
FIG. 5 is a right side view of the ladder shown in FIG. 1; and,
FIG. 6 is a top view of the ladder shown in FIG. 1.
The uneven broken line representations in the drawings are for illustrative purposes only and form no part of the claimed design.

1 Claim, 6 Drawing Sheets

(56) **References Cited**
U.S. PATENT DOCUMENTS

2,109,886 A 3/1938 Lewis
4,011,926 A 3/1977 Larson et al.
4,079,814 A 3/1978 Larson
4,332,308 A 6/1982 Larson
D310,884 S * 9/1990 Patton D25/68
5,722,507 A 3/1998 Kain
D541,433 S * 4/2007 Wise D25/68
D548,364 S * 8/2007 Skubic D25/64



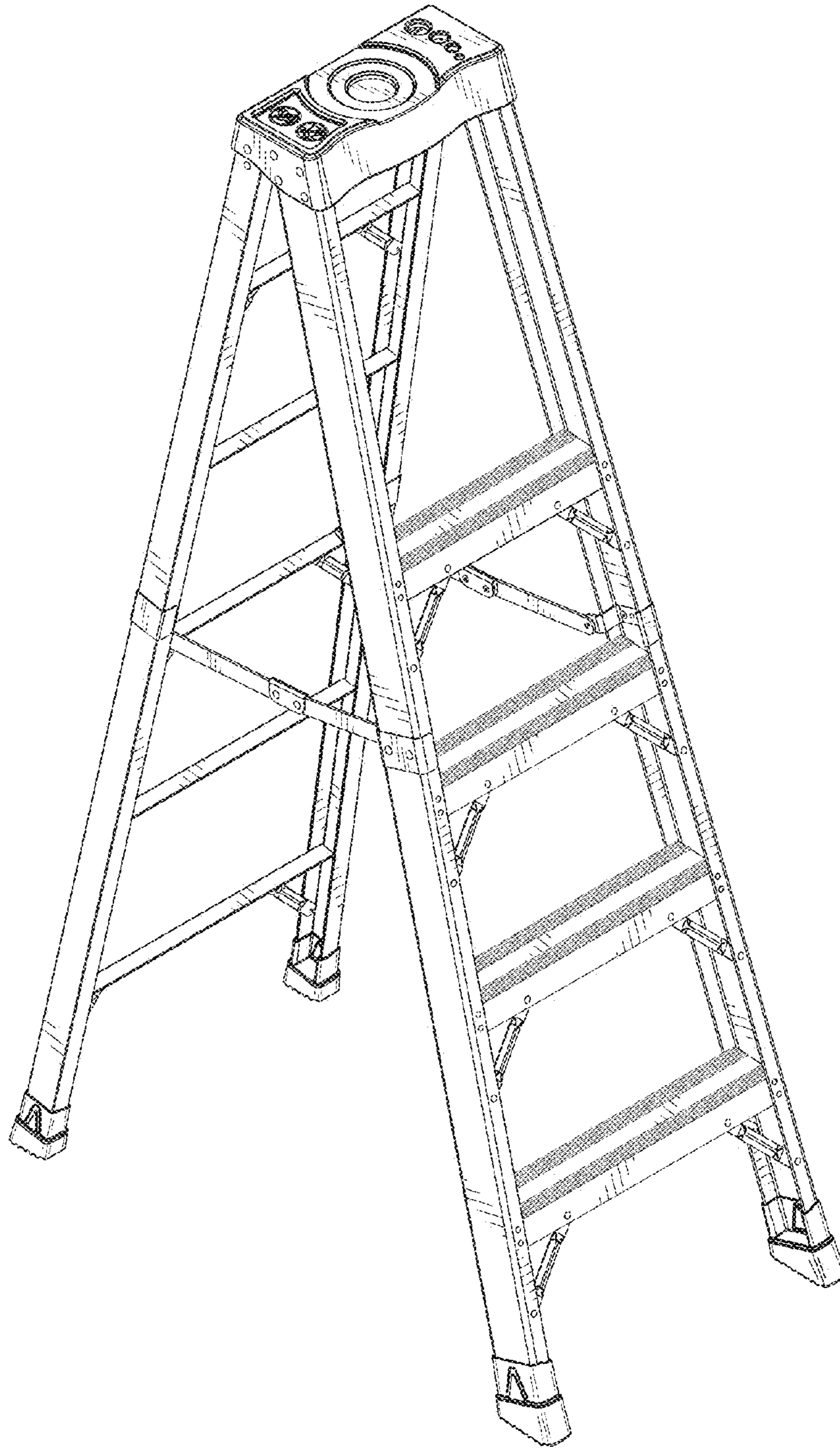


FIG. 1

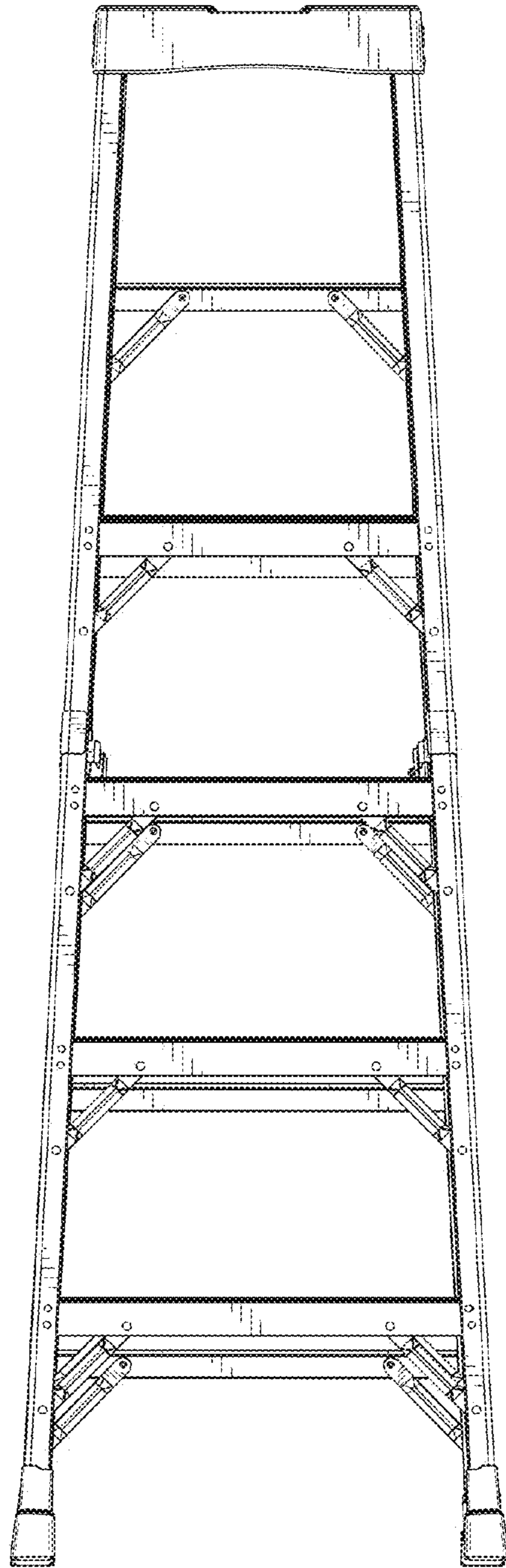


FIG. 2

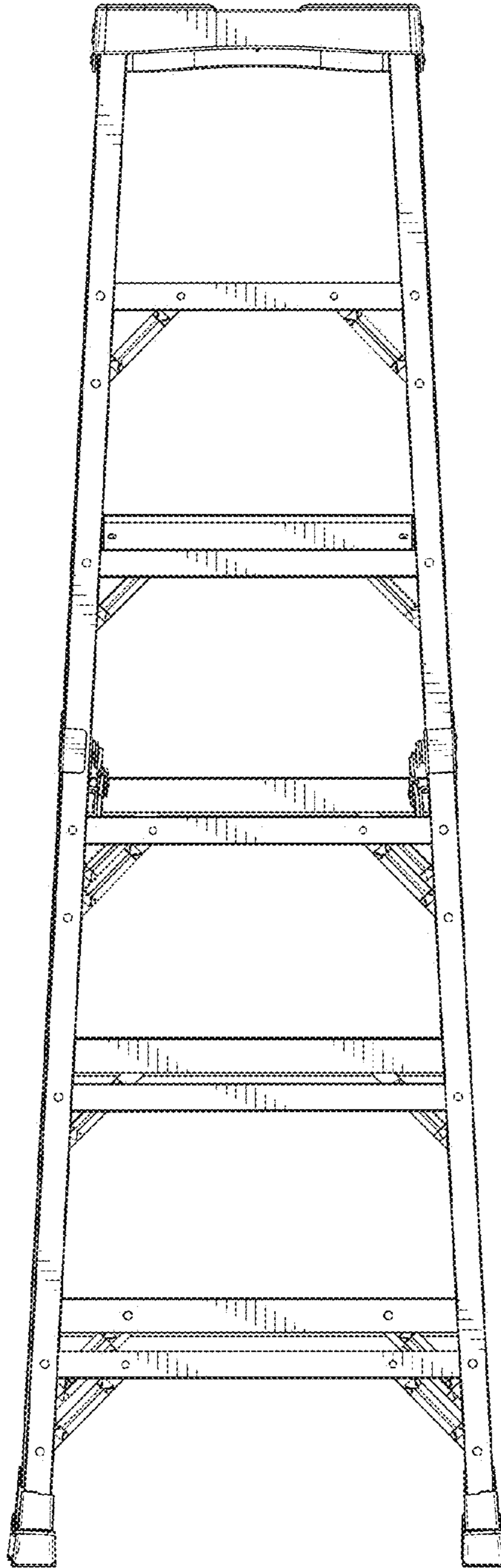


FIG. 3

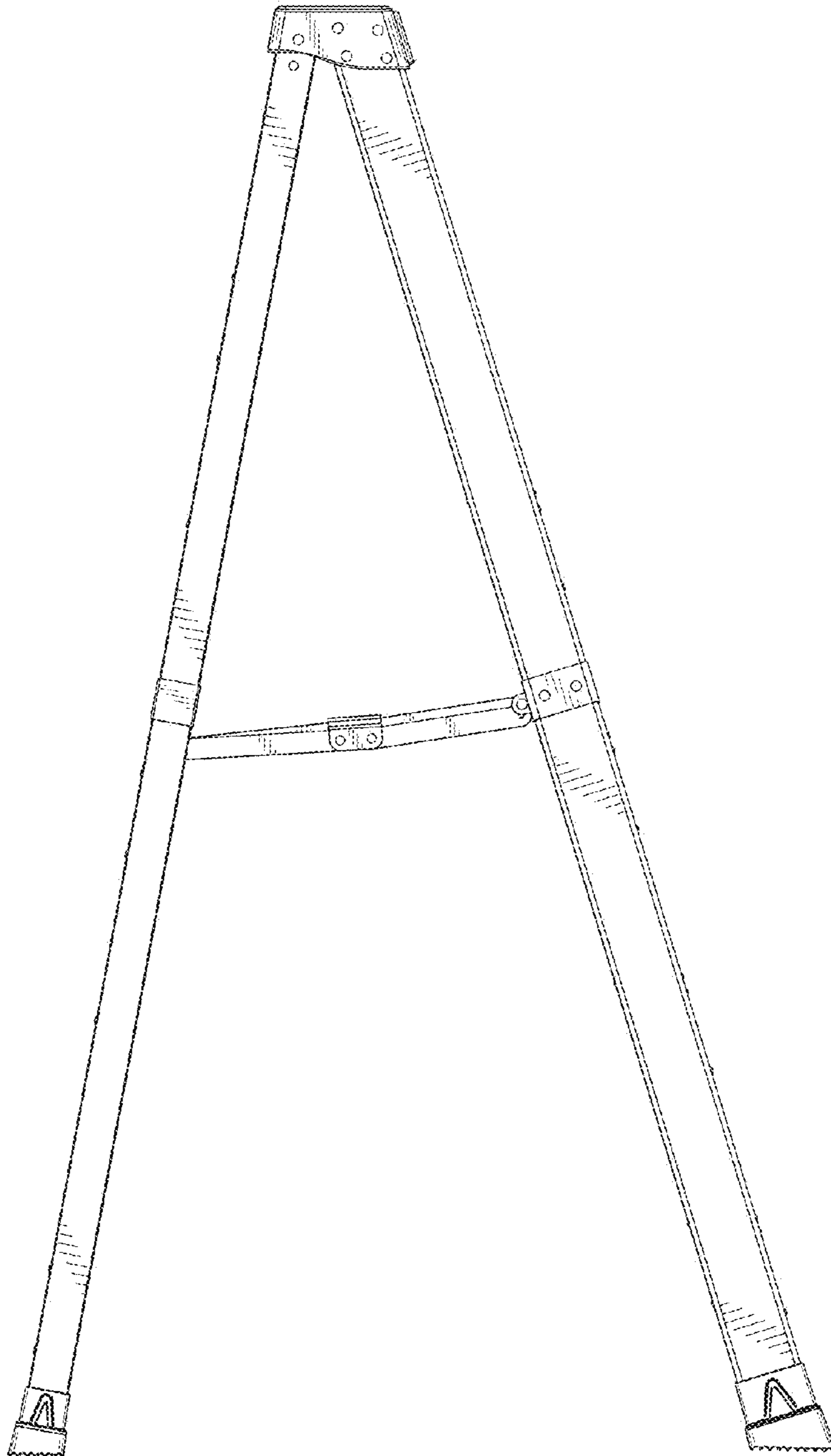


FIG. 4

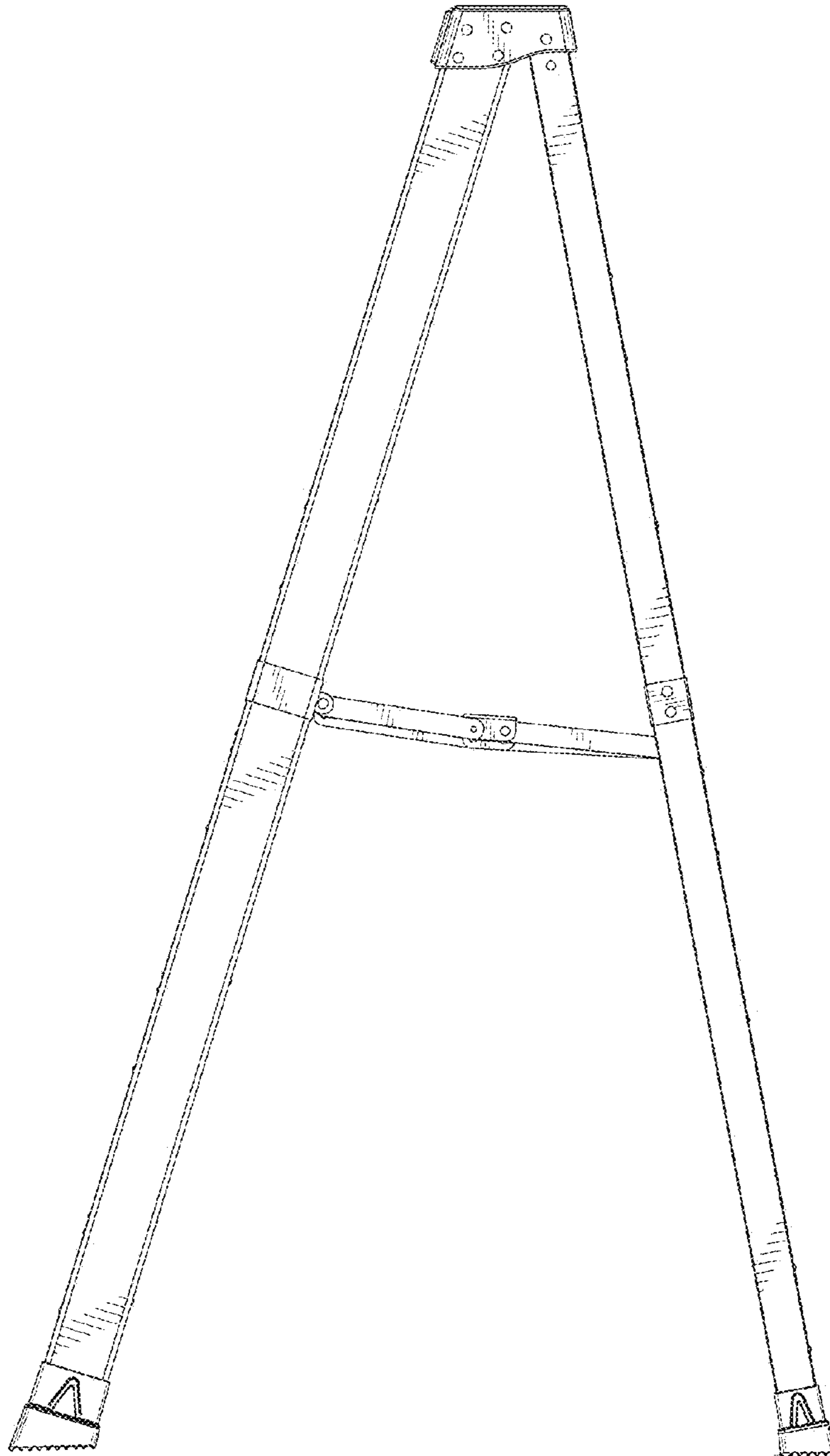


FIG. 5

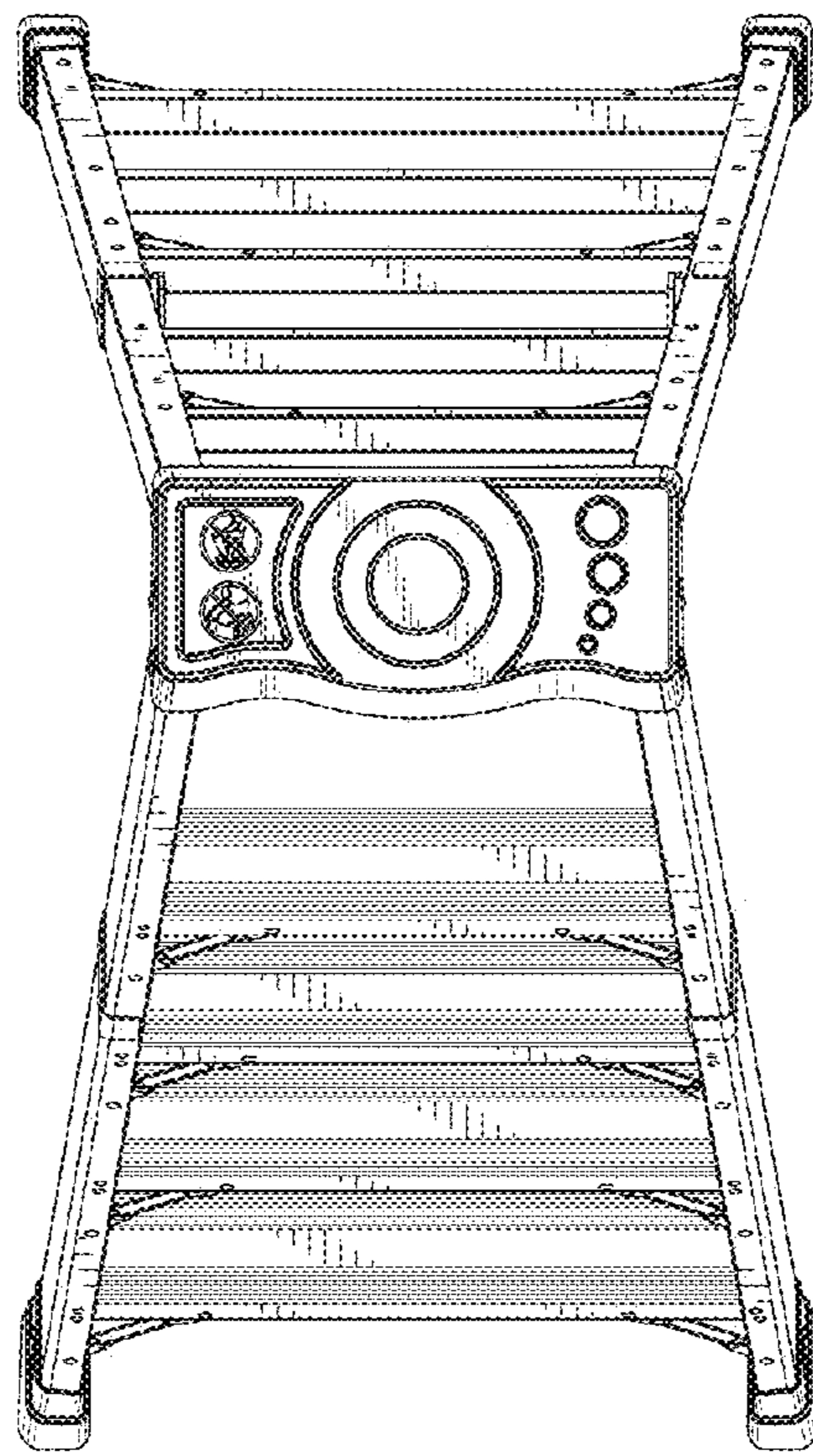


FIG. 6