



US00D766461S

(12) **United States Design Patent** (10) **Patent No.:** **US D766,461 S**
Moss et al. (45) **Date of Patent:** **** Sep. 13, 2016**

(54) **LADDER**
(71) Applicant: **Wing Enterprises, Incorporated**,
Springville, UT (US)
(72) Inventors: **N. Ryan Moss**, Mapleton, UT (US);
Benjamin L. Cook, Provo, UT (US);
Sean R. Peterson, Santaquin, UT (US)
(73) Assignee: **Wing Enterprises, Inc.**, Springville,
UT (US)
(**) Term: **14 Years**

D548,364 S * 8/2007 Skubic D25/64
D554,771 S * 11/2007 Skubic D25/64
D576,290 S * 9/2008 Meyers D25/64
7,931,123 B2 4/2011 Moldthan et al.
D722,181 S * 2/2015 Green D25/64
2007/0193828 A1* 8/2007 Astor E06C 1/39
182/129
2008/0029339 A1 2/2008 Yewer
2010/0116592 A1* 5/2010 Clements E06C 1/39
182/180.1
2014/0054111 A1* 2/2014 Lu E06C 7/44
182/107
2014/0332316 A1* 11/2014 Tiber E06C 7/14
182/129
2015/0090533 A1* 4/2015 Moss E06C 1/16
182/180.1

(21) Appl. No.: **29/501,501**
(22) Filed: **Sep. 4, 2014**
(51) **LOC (10) Cl.** **25-04**
(52) **U.S. Cl.**
USPC **D25/64**
(58) **Field of Classification Search**
USPC D25/62-69; 182/156, 152, 162, 112,
182/113, 215, 220, 120, 106, 23, 26, 115,
182/129, 201, 207, 103, 245, 2.11, 102,
182/151, 107, 21, 180.1, 194, 130, 132,
182/67.4, 157, 161, 230, 172, 109, 176,
182/173, 174, 177; 248/210
CPC E06C 5/04; E06C 7/00; E06C 1/383;
E06C 7/02; E06C 1/26; E06C 1/28; E06C
1/30; E06C 1/14
See application file for complete search history.

OTHER PUBLICATIONS

Design U.S. Appl. No. 29/501,487, filed Sep. 4, 2014.
Design U.S. Appl. No. 29/501,490, filed Sep. 4, 2014.
Design U.S. Appl. No. 29/501,506, filed Sep. 4, 2014.

* cited by examiner

Primary Examiner — Cynthia Ramirez
Assistant Examiner — Gino Colan
(74) *Attorney, Agent, or Firm* — Holland & Hart LLP

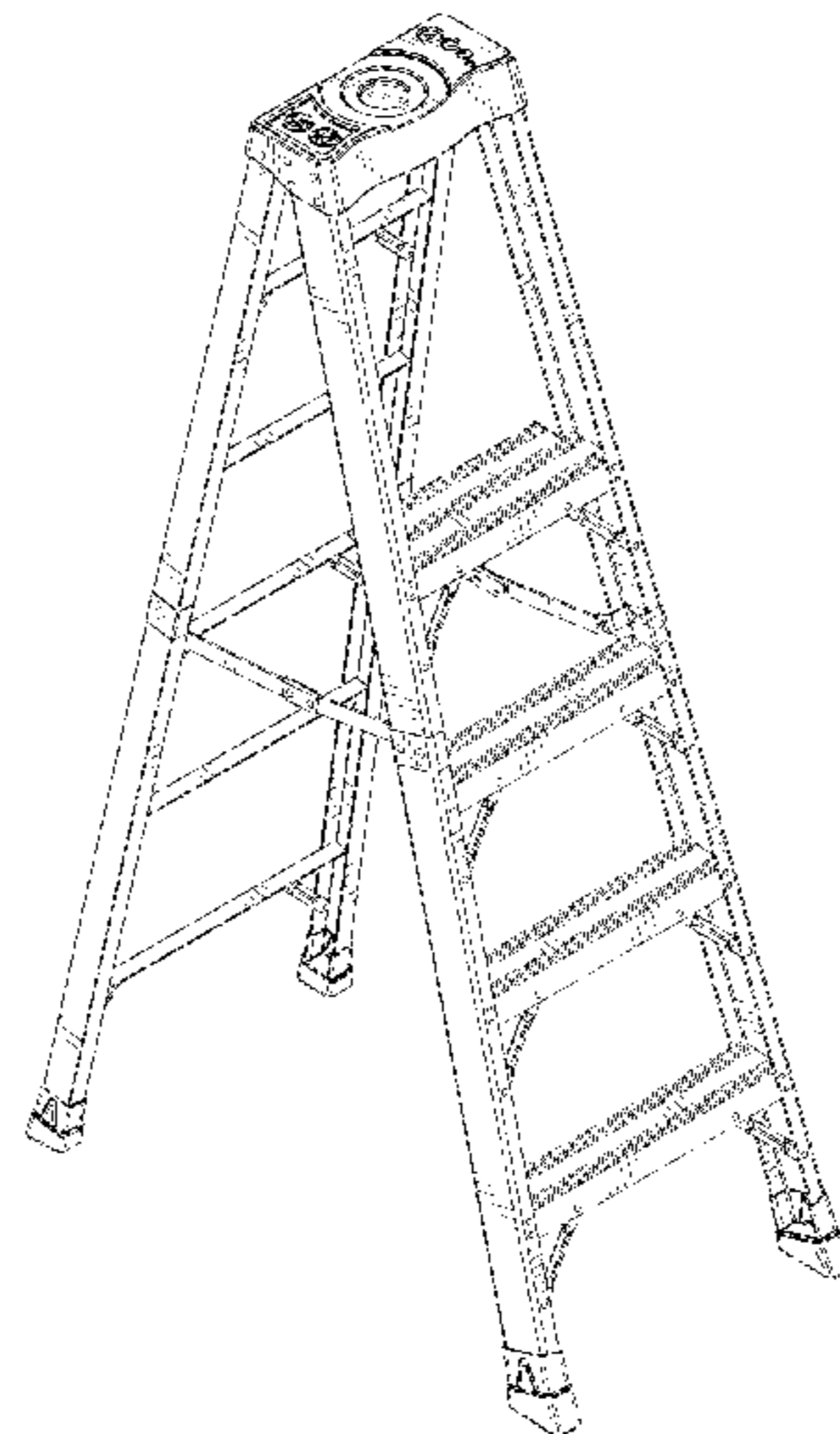
(57) **CLAIM**
The ornamental design for a ladder, as shown and described.

DESCRIPTION

FIG. 1 is a perspective view of a ladder showing an embodiment of the design;
FIG. 2 is a front view of the ladder shown in FIG. 1;
FIG. 3 is a rear view of the ladder shown in FIG. 1;
FIG. 4 is a left side view of the ladder shown in FIG. 1;
FIG. 5 is a right side view of the ladder shown in FIG. 1; and,
FIG. 6 is a top view of the ladder shown in FIG. 1.
The uneven broken line representations in the drawings are for illustrative purposes only and form no part of the claimed design.

(56) **References Cited**
U.S. PATENT DOCUMENTS
2,109,886 A 3/1938 Lewis
4,011,926 A 3/1977 Larson et al.
4,079,814 A 3/1978 Larson
4,332,308 A 6/1982 Larson
D310,884 S * 9/1990 Patton D25/68
5,722,507 A 3/1998 Kain
D541,433 S * 4/2007 Wise D25/68

1 Claim, 6 Drawing Sheets



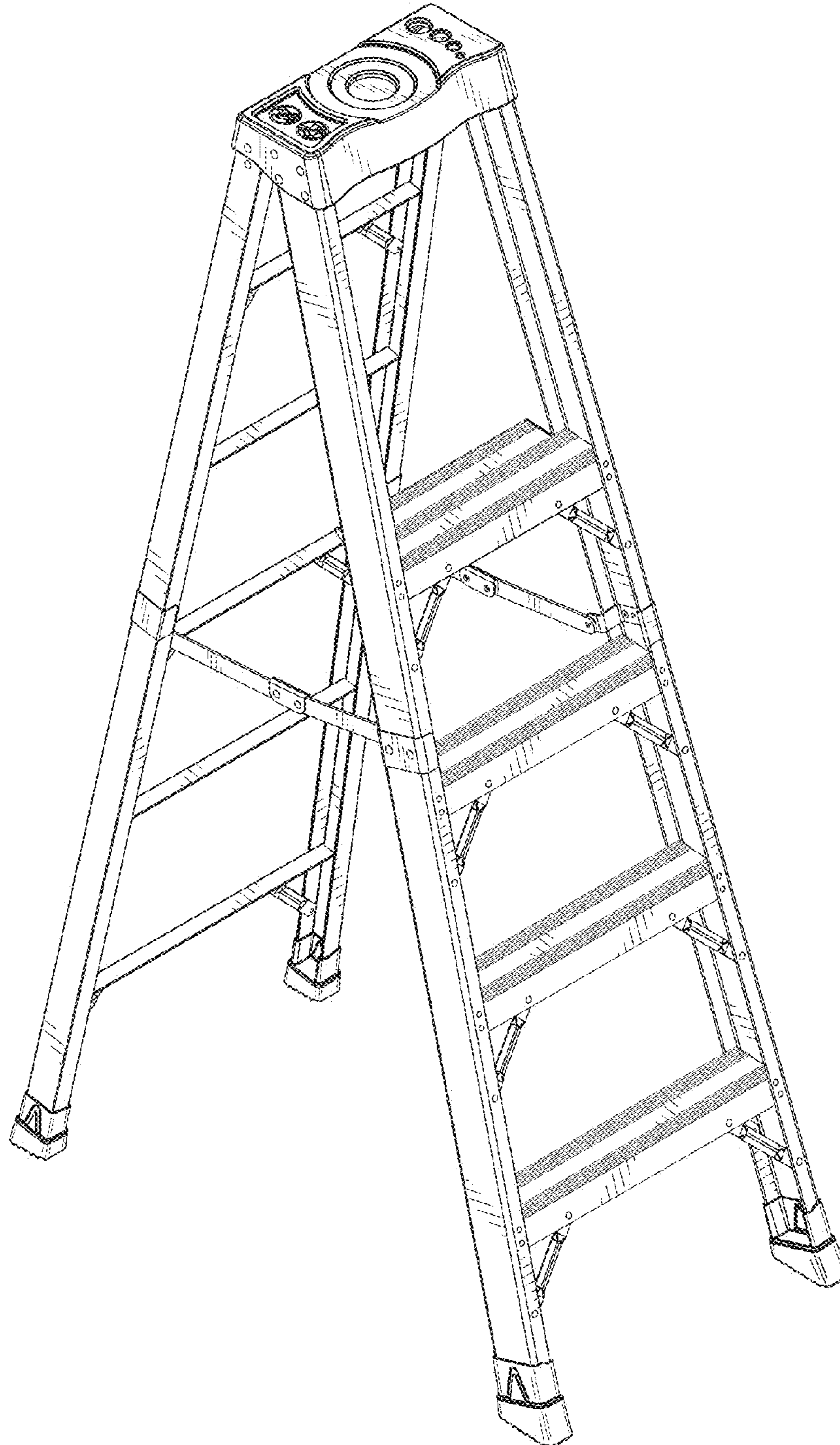


FIG. 1

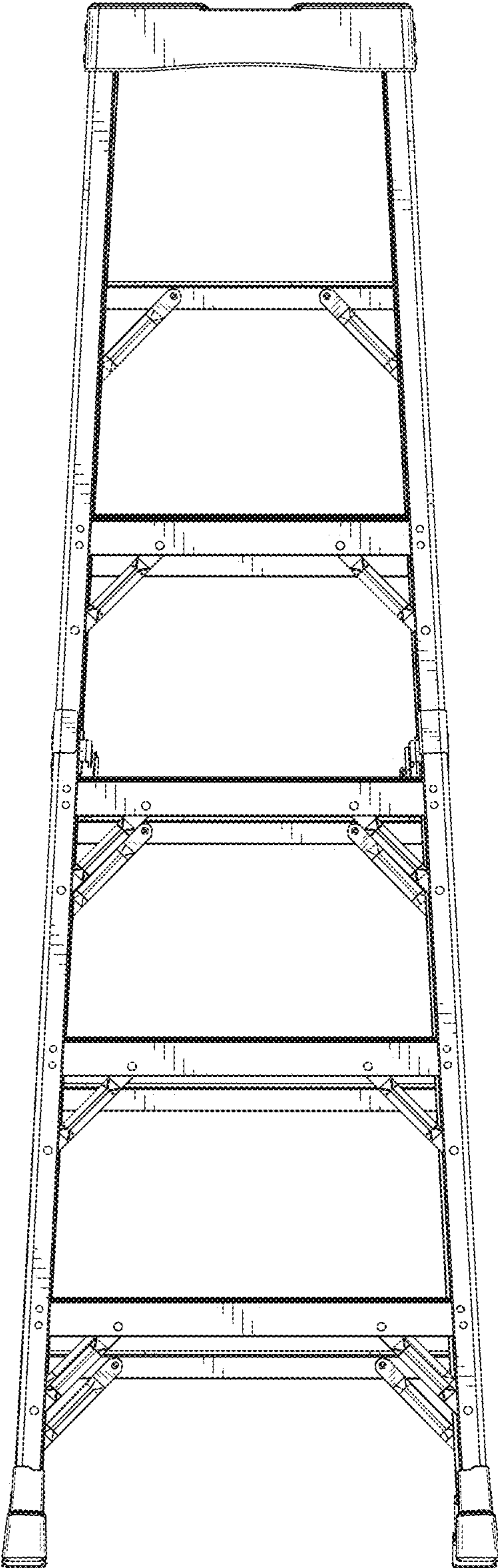


FIG. 2

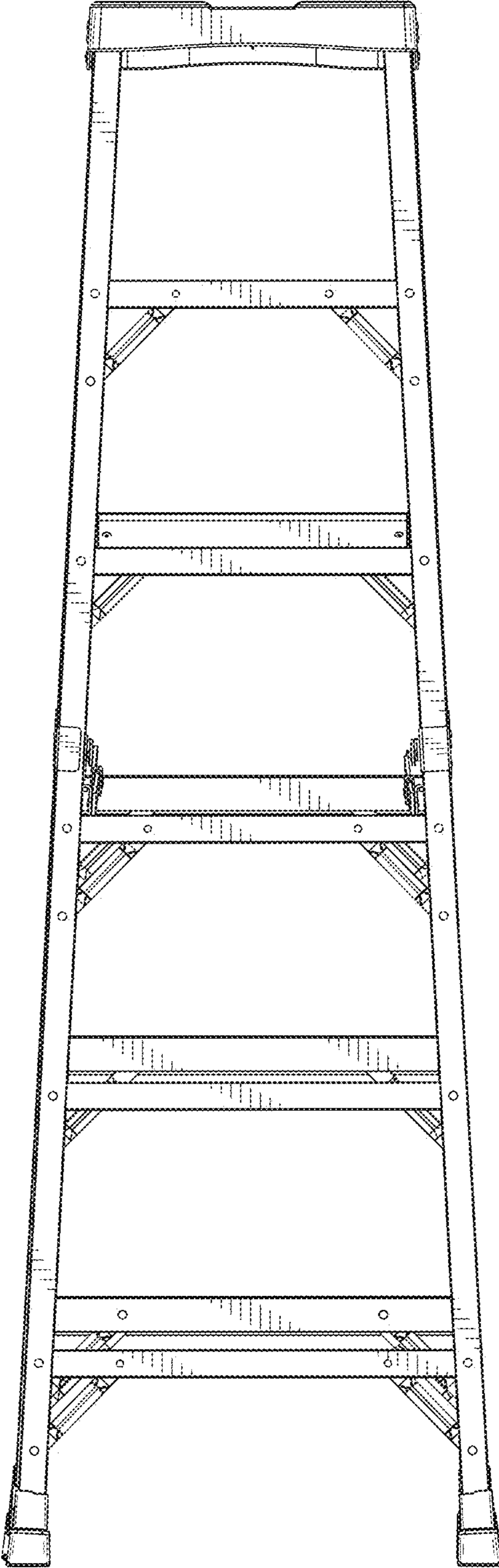


FIG. 3

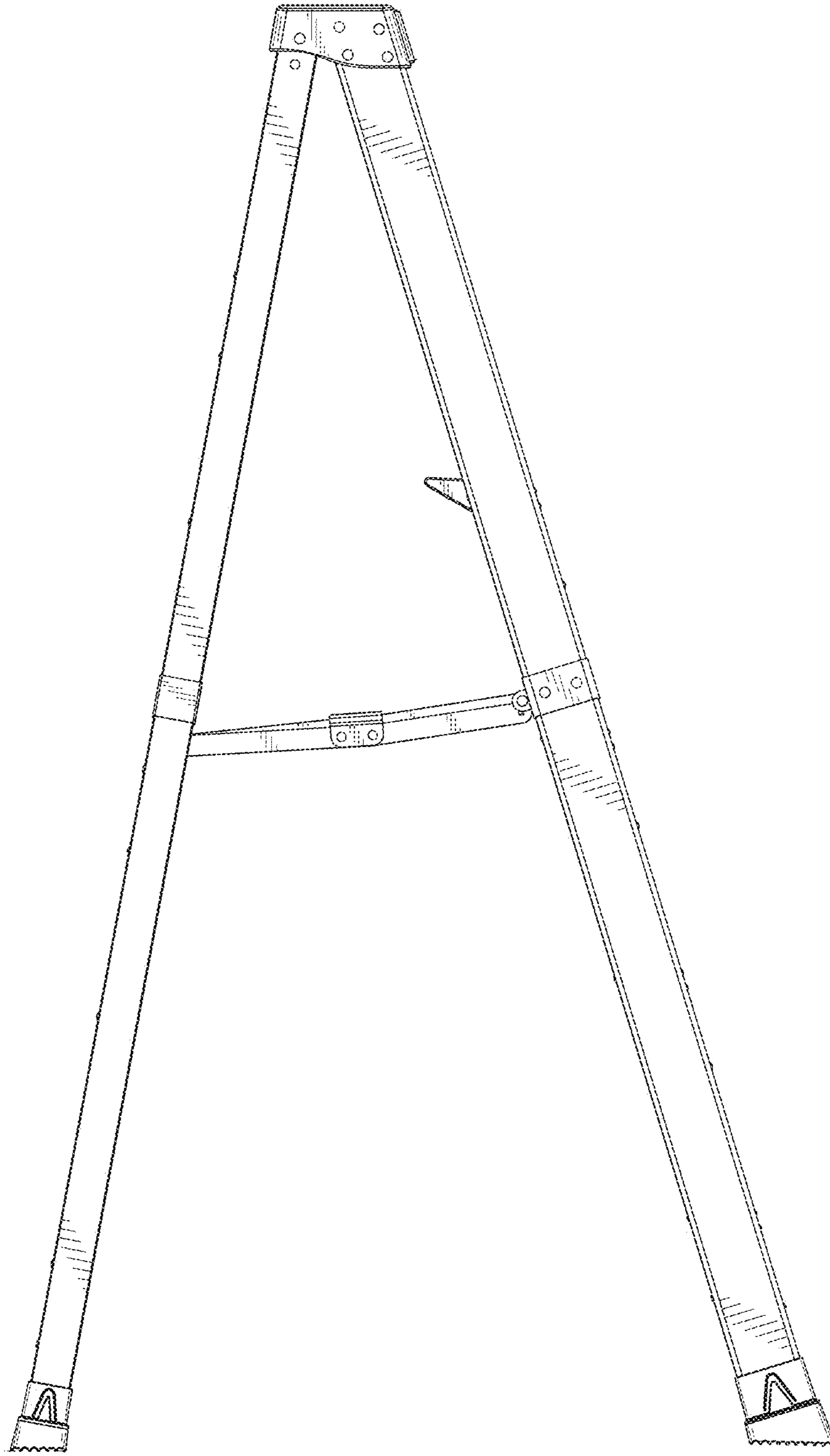


FIG. 4

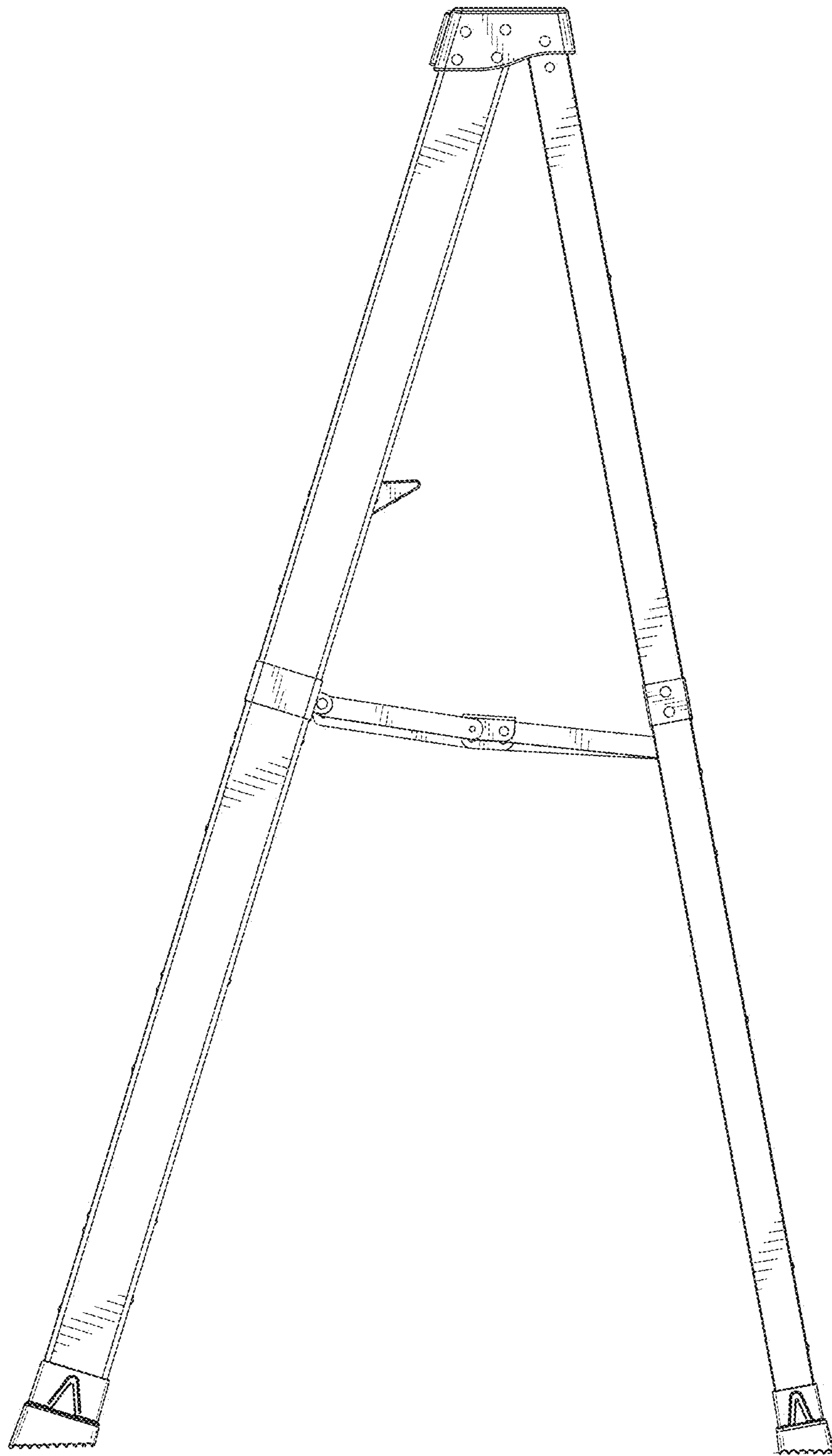


FIG. 5

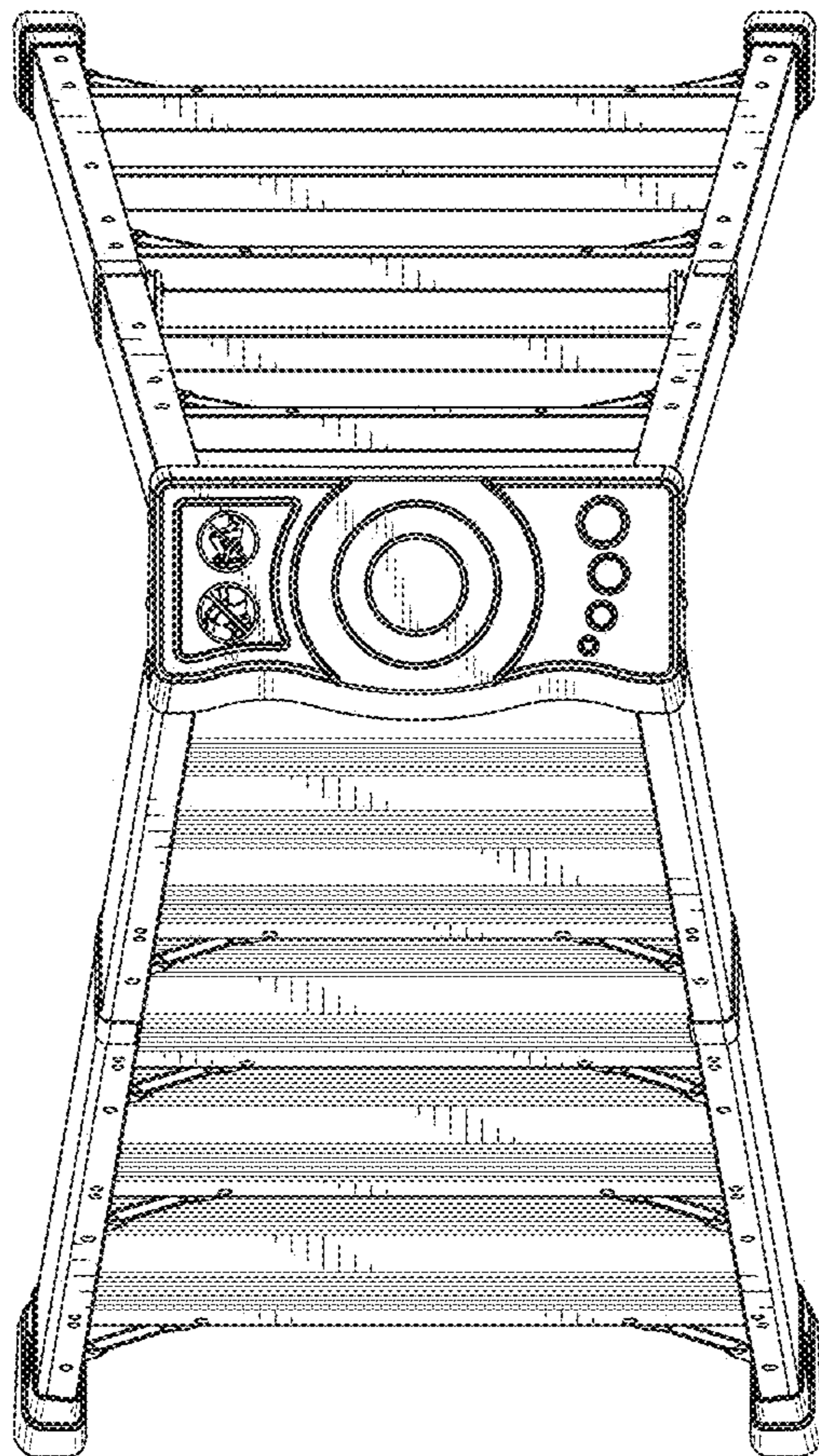


FIG. 6