

US00D766460S

(12) **United States Design Patent** (10) **Patent No.:** **US D766,460 S**
Everhart, II et al. (45) **Date of Patent:** **** Sep. 13, 2016**

(54) **SIDING PANEL**

(71) Applicant: **JAMES HARDIE TECHNOLOGY LIMITED**, Dublin (IE)

(72) Inventors: **Robert Elliot Everhart, II**, Lake Arrowhead, CA (US); **Darren Southwell**, Sydney (AU)

(73) Assignee: **James Hardie Technology Limited**, Dublin (IE)

(**) Term: **14 Years**

(21) Appl. No.: **29/494,826**

(22) Filed: **Jun. 24, 2014**

(51) **LOC (10) Cl.** **25-02**

(52) **U.S. Cl.**
USPC **D25/60**

(58) **Field of Classification Search**
USPC D25/52, 60, 61, 124, 138; 52/200.04, 52/204.62, 705; D23/303, 304, 305
See application file for complete search history.

(56) **References Cited**

U.S. PATENT DOCUMENTS

D423,118 S *	4/2000	Grosfillex	D25/124
D567,397 S *	4/2008	Terada	D25/126
D613,520 S *	4/2010	Goodman	D25/138
D656,245 S *	3/2012	Trudel	D25/119
D658,784 S *	5/2012	Trudel	D25/119
D668,794 S *	10/2012	Trudel	D25/119
D712,072 S *	8/2014	Lin	D25/138
8,820,721 B1 *	9/2014	Poma	E04F 11/1812 256/24
D746,486 S *	12/2015	Bilge	D25/125

OTHER PUBLICATIONS

Ready Pine Refinished Interior Tongue & Groove by Horizon Coatings, "The Original," <http://www.readypine.com/About.htm>, as printed Mar. 11, 2015 in 3 pages.

Vintage Woodworks, "V-Groove Board," <http://www.vintagewoodworks.com/v-groove.html> as printed Mar. 11, 2015 in 2 pages.

* cited by examiner

Primary Examiner — Ian Simmons

Assistant Examiner — Samantha Q Lawrence

(74) *Attorney, Agent, or Firm* — Knobbe, Martens, Olson & Bear, LLP

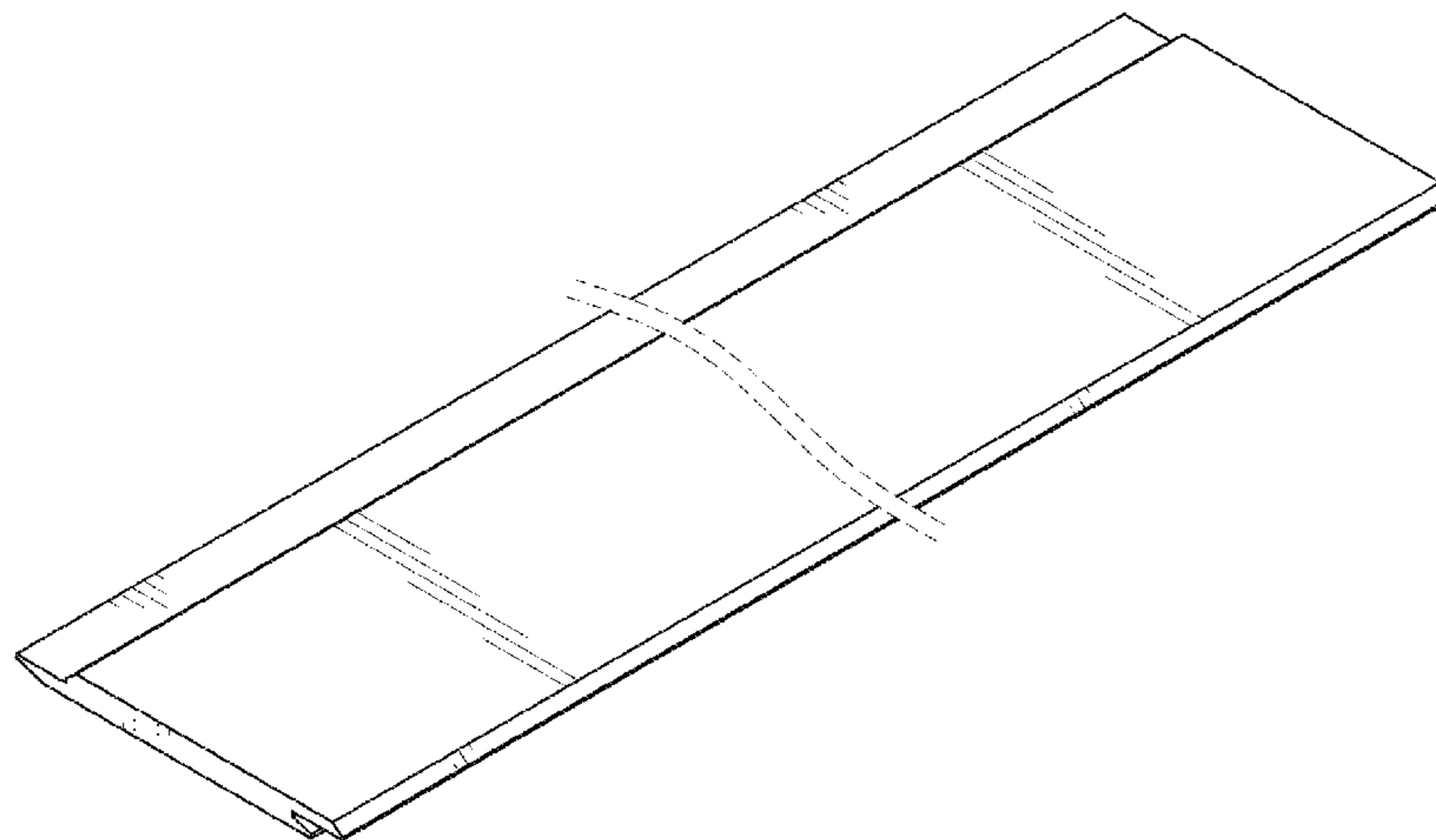
(57) **CLAIM**

The ornamental design for a siding panel, as shown and described.

DESCRIPTION

FIG. 1 is a top perspective view of the siding panel. FIG. 2 is a bottom perspective view of the siding panel in FIG. 1. FIG. 3 is a left side view of the siding panel in FIG. 1. The right side view is a mirror image of the left side view. FIG. 4 is a top view of the siding panel in FIG. 1. FIG. 5 is a bottom view of the siding panel in FIG. 1. FIG. 6 is a front view of the siding panel in FIG. 1. FIG. 7 is a rear view of the siding panel in FIG. 1; and, FIG. 8 is a perspective view of the siding panel in FIG. 1 positioned above a second siding panel. The siding panel break lines shown in FIGS. 1-2 and 4-8 are shown with a symbolic break in its length, width, and height. The appearance of any portion of the article between the break lines form no part of the claimed design as illustrated in FIGS. 1-2 and 4-8. The broken lines shown in FIG. 8 illustrate portions of the siding panel that form no part of the claimed design.

1 Claim, 7 Drawing Sheets



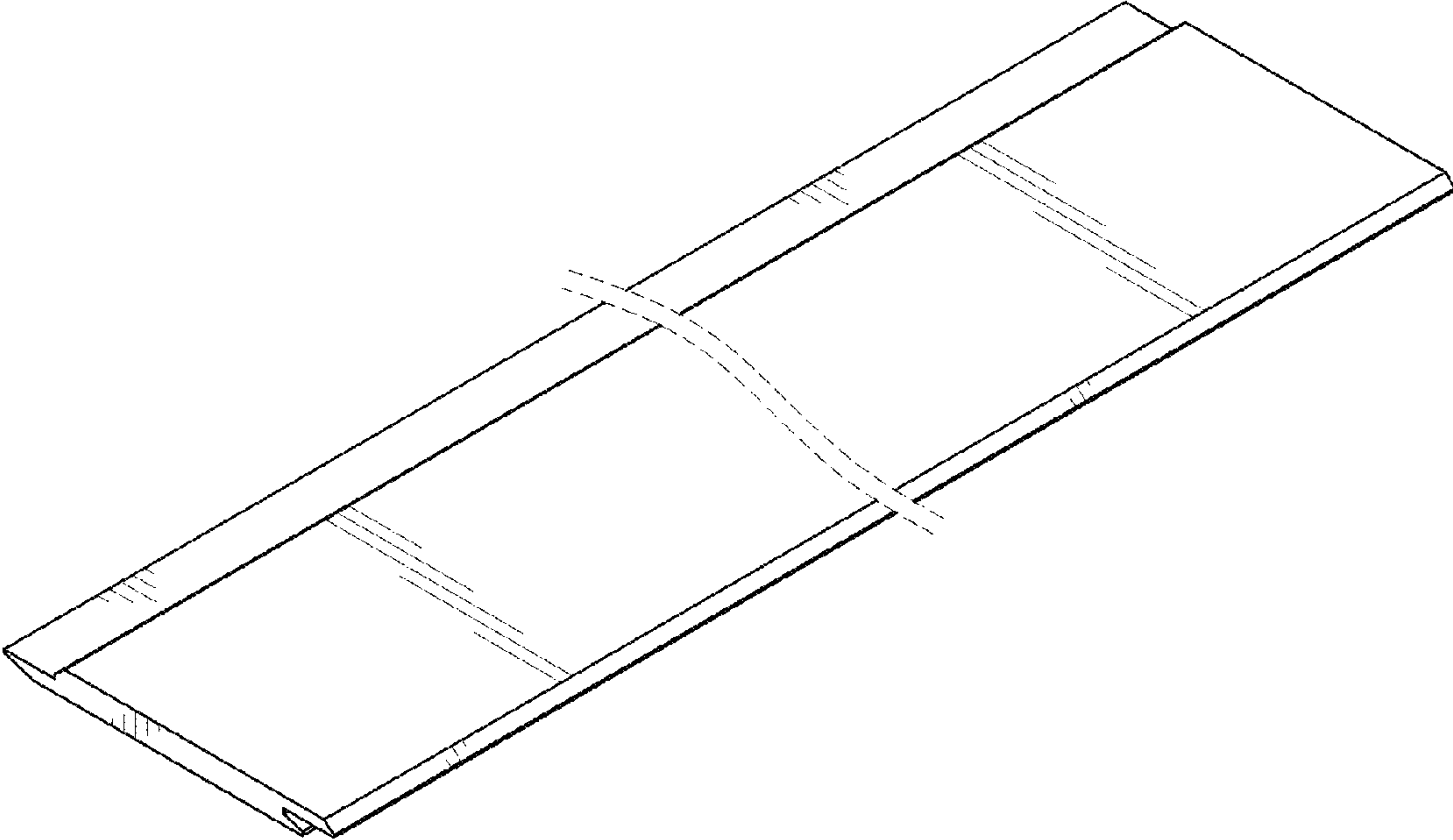


FIG. 1

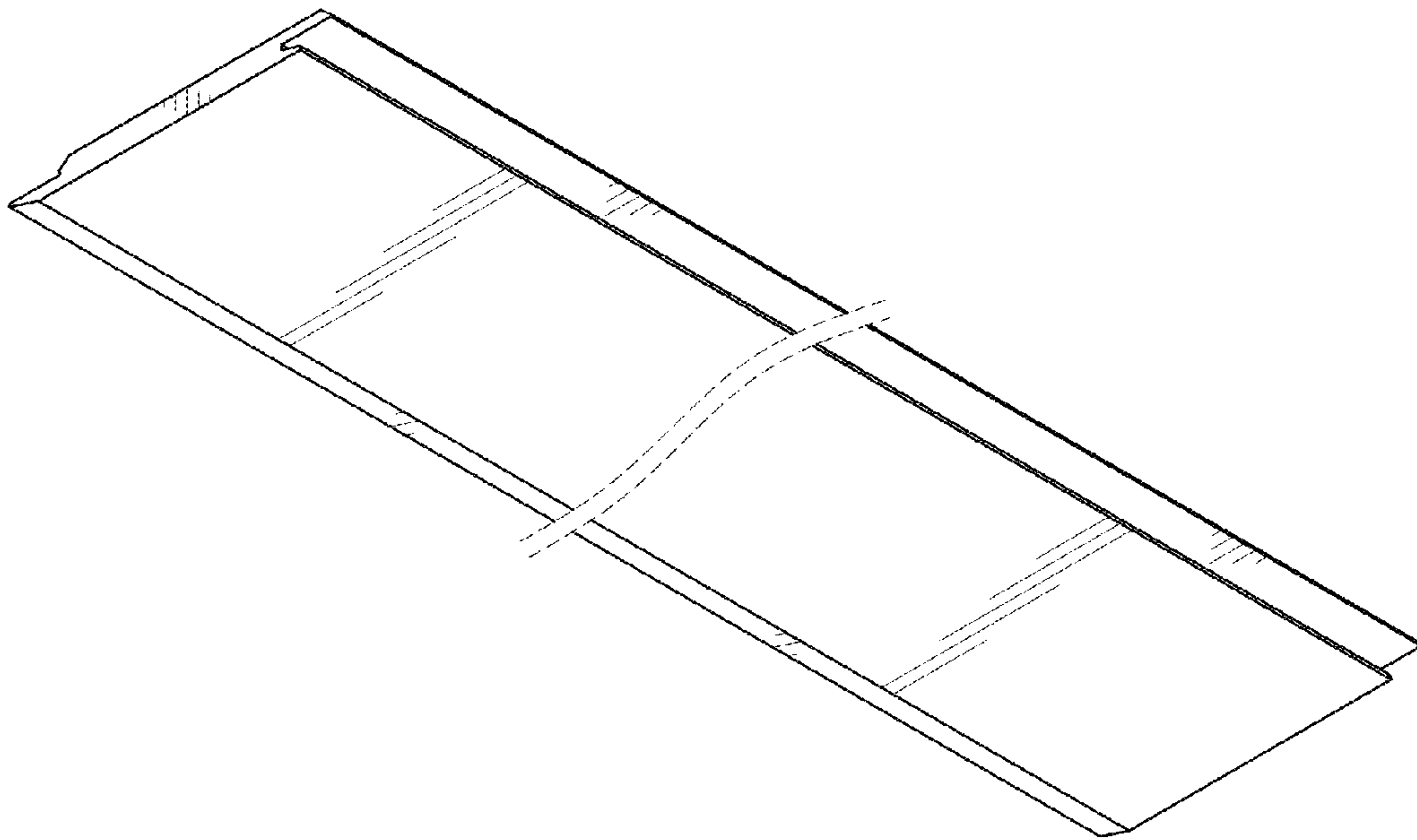


FIG. 2

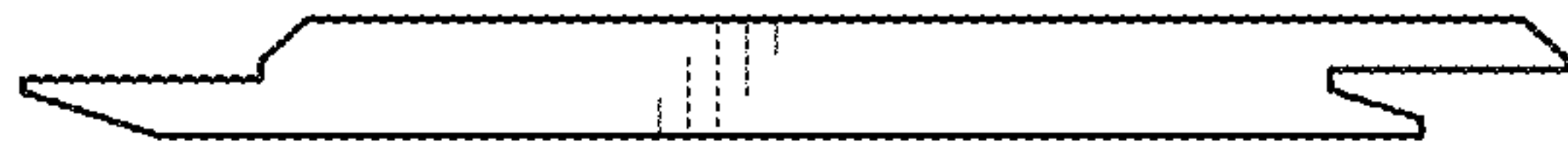


FIG. 3

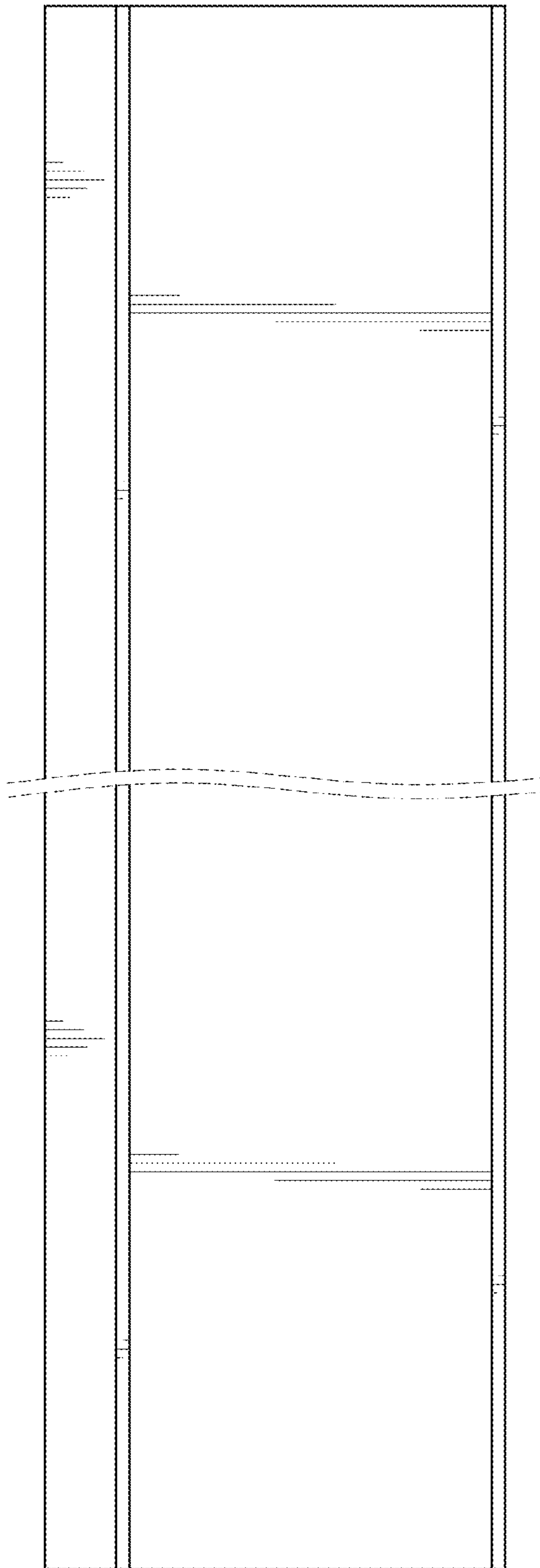


FIG. 4

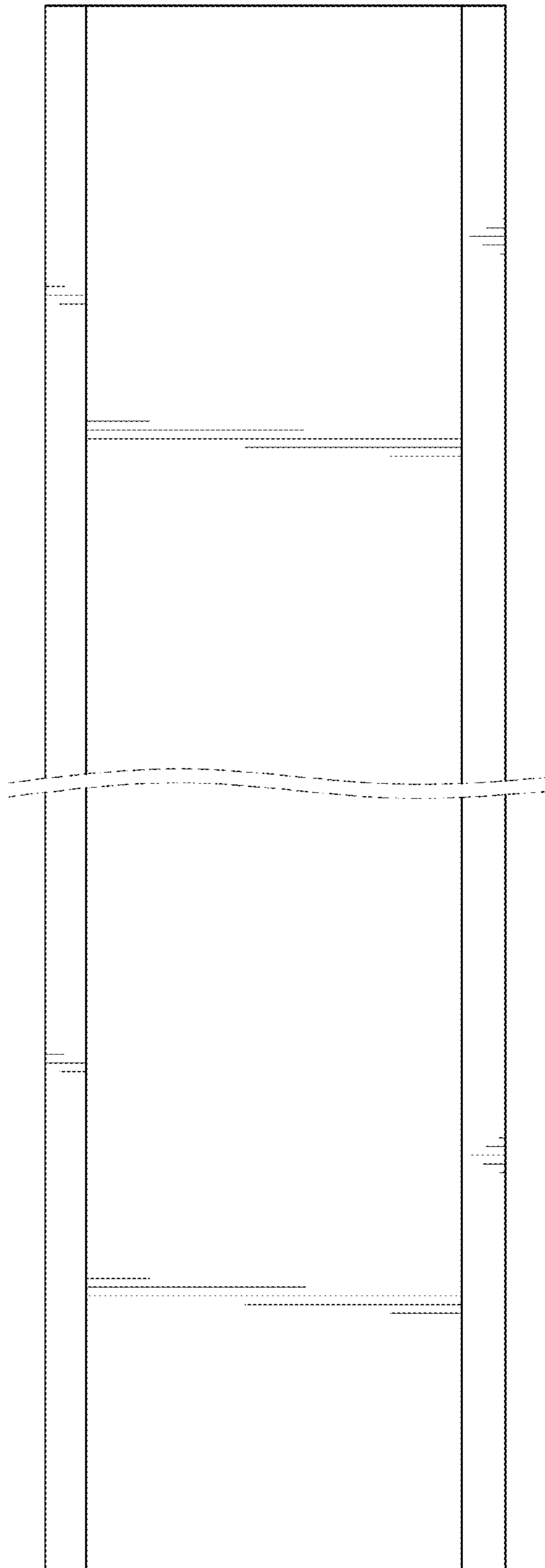


FIG. 5

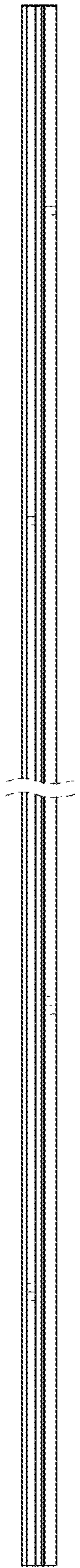


FIG. 6

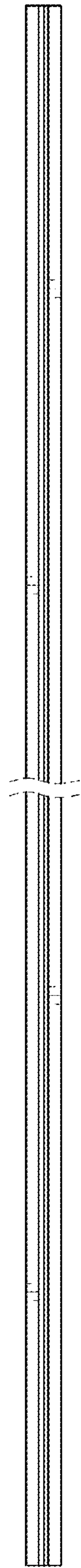


FIG. 7

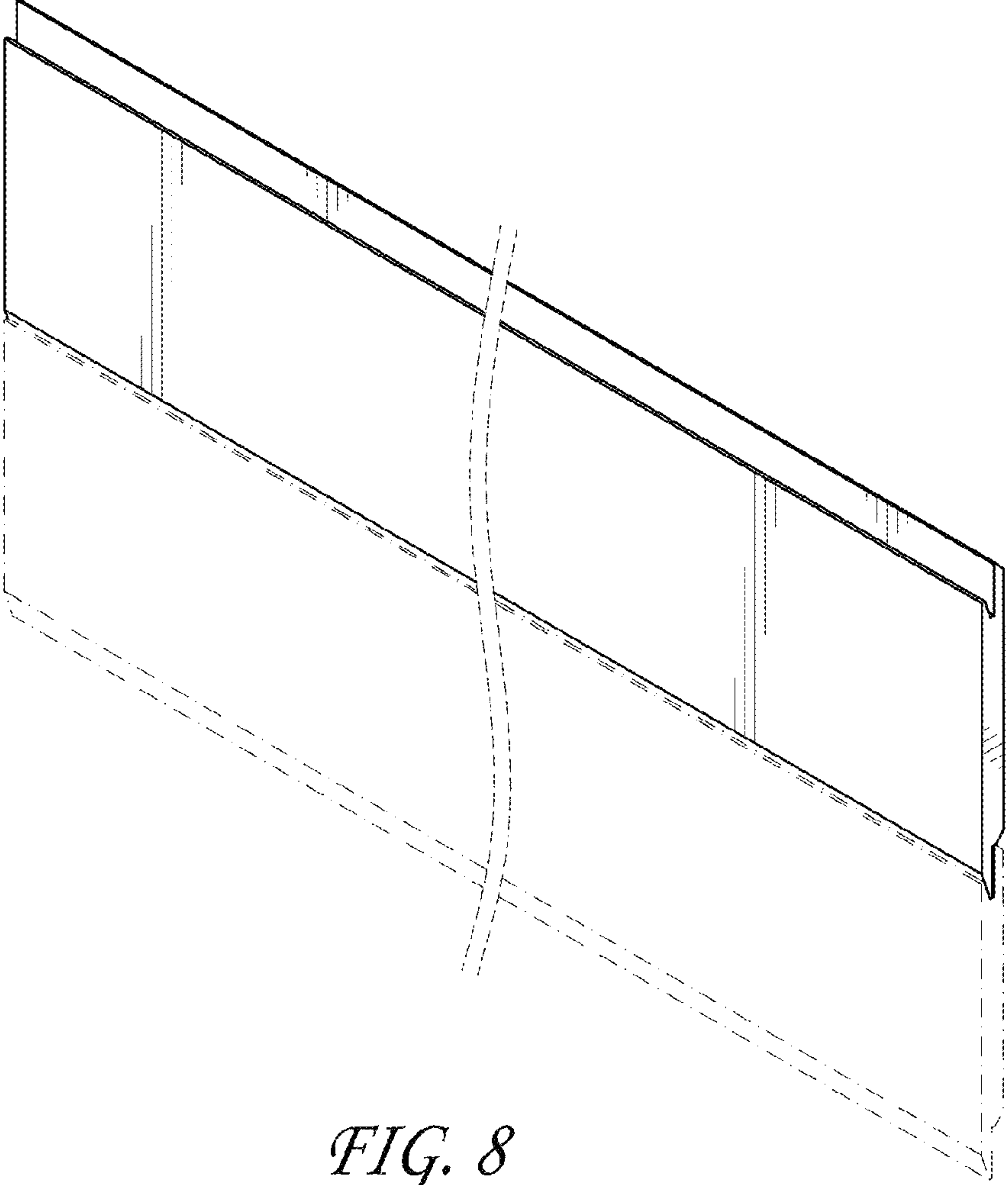


FIG. 8