



US00D766458S

(12) **United States Design Patent** (10) **Patent No.:** **US D766,458 S**
Chapman et al. (45) **Date of Patent:** **** Sep. 13, 2016**

(54) **HIGH DAM OUTSWING SILL**
(71) Applicant: **Global Products International Group, LLC**, Atlanta, GA (US)
(72) Inventors: **Ryan H. Chapman**, Atlanta, GA (US); **Gabriel Paul Chapman**, Cumming, GA (US)
(73) Assignee: **Global Products International Group, LLC**, Atlanta, GA (US)
(**) Term: **15 Years**
(21) Appl. No.: **29/526,922**
(22) Filed: **May 14, 2015**
(51) **LOC (10) Cl.** **25-02**
(52) **U.S. Cl.**
USPC **D25/48.2**
(58) **Field of Classification Search**
USPC D23/261; D25/48, 48.1-48.4, 48.8, D25/119, 124, 199; 49/407, 411, 467-471, 49/475.1
See application file for complete search history.

D488,243 S * 4/2004 Babka D25/119
7,472,516 B2 * 1/2009 Pepper E06B 1/70
49/467
2013/0091776 A1 * 4/2013 Van Camp E06B 1/70
49/467

FOREIGN PATENT DOCUMENTS

GB 4005853 * 7/2008

OTHER PUBLICATIONS

<http://gpimillworks.com/sills/> Retrieved Apr. 11, 2016.*

* cited by examiner

Primary Examiner — Susan Bennett Hattan
Assistant Examiner — Leanne Was
(74) *Attorney, Agent, or Firm* — Sutherland Asbill & Brennan LLP

(57) **CLAIM**

The ornamental design for a high dam outswing sill, as shown and described.

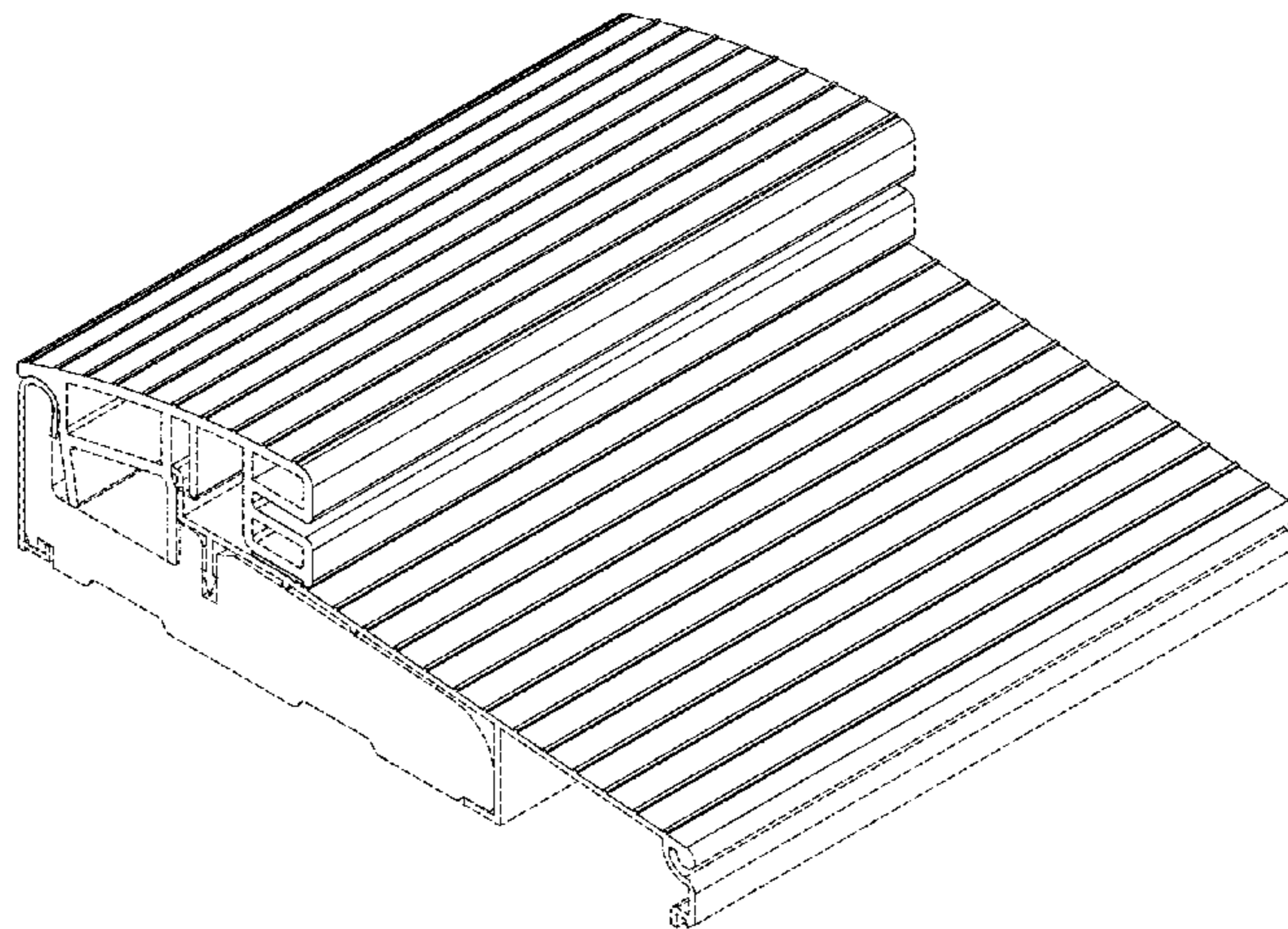
DESCRIPTION

FIG. 1 is a perspective view of a high dam outswing sill; FIG. 2 is a top view thereof; FIG. 3 is a bottom view thereof; FIG. 4 is a front elevation view thereof; FIG. 5 is a rear elevation view thereof; FIG. 6 is a left side view thereof; and, FIG. 7 is a right side view thereof. The broken lines depict portions of the high dam outswing sill that form no part of the claimed design.

1 Claim, 5 Drawing Sheets

(56) **References Cited**
U.S. PATENT DOCUMENTS

D354,572 S * 1/1995 Headrick D25/48.2
D423,121 S * 4/2000 Siudzinski D25/125
6,216,395 B1 * 4/2001 Kelly E04G 21/30
49/467
6,345,477 B1 * 2/2002 Kepler E06B 1/70
49/468
D460,563 S * 7/2002 Babka D25/48.2
D474,844 S * 5/2003 Babka D25/48.2
D474,845 S * 5/2003 Babka D25/119



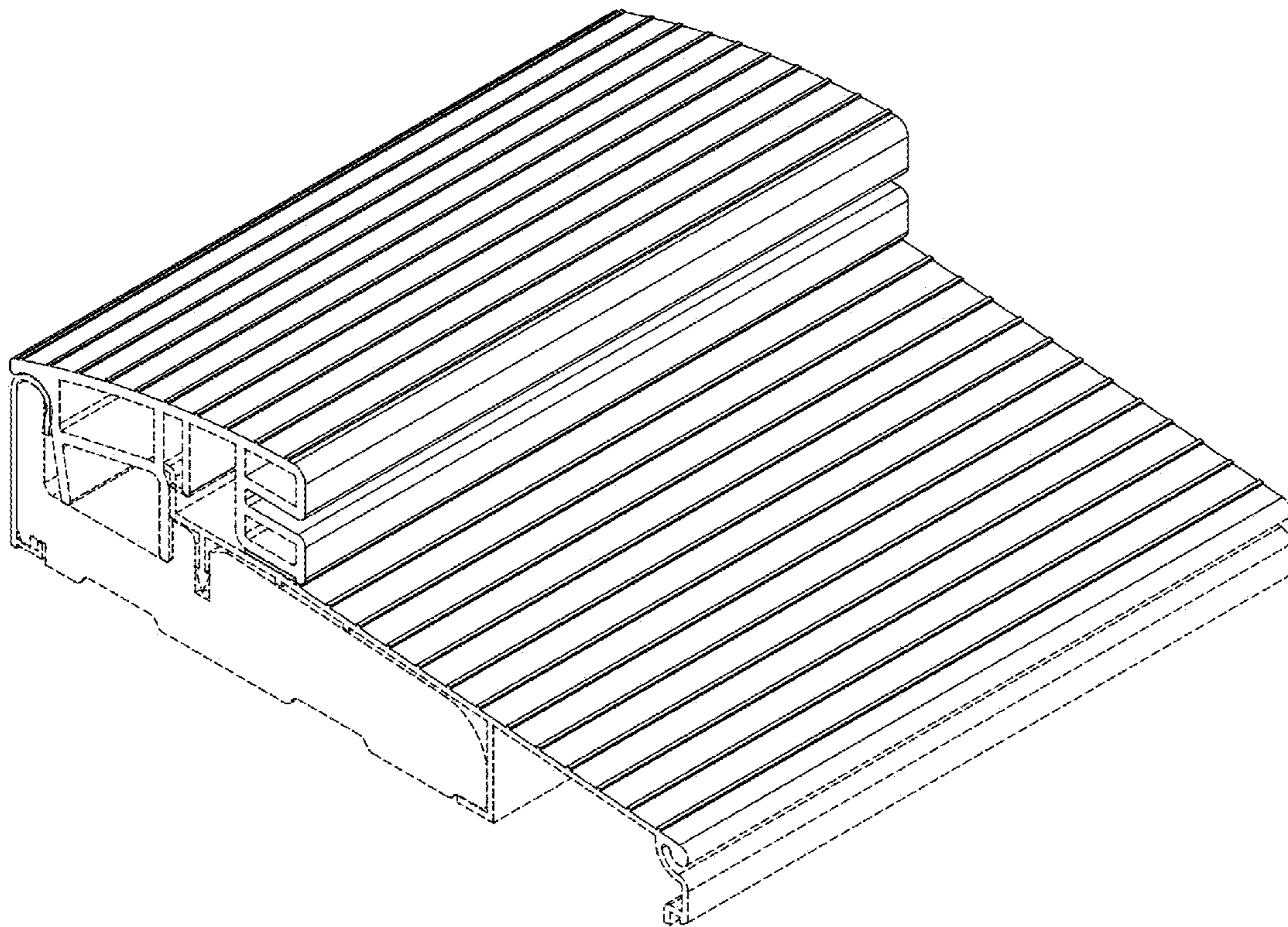


Fig. 1

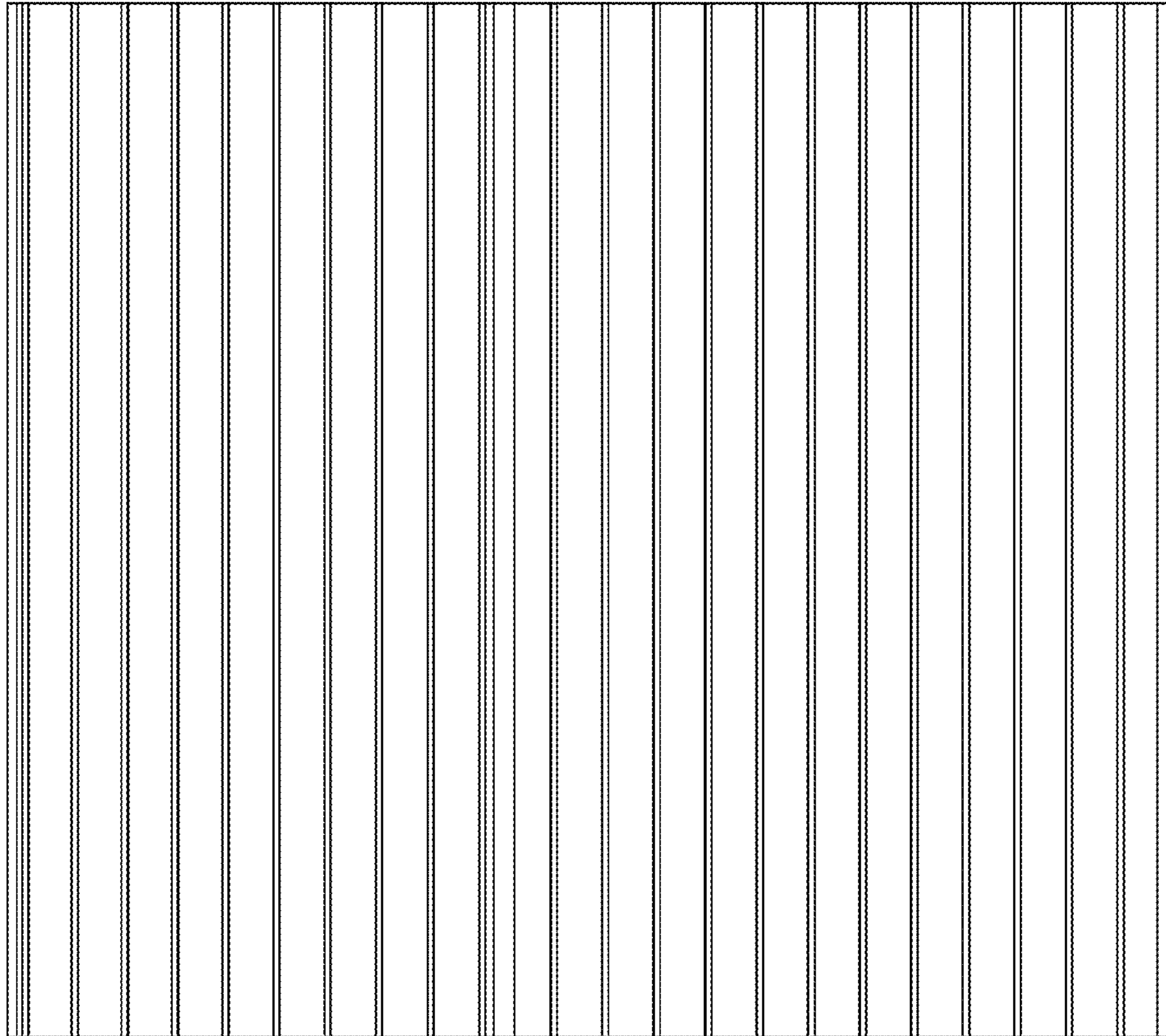


Fig. 2

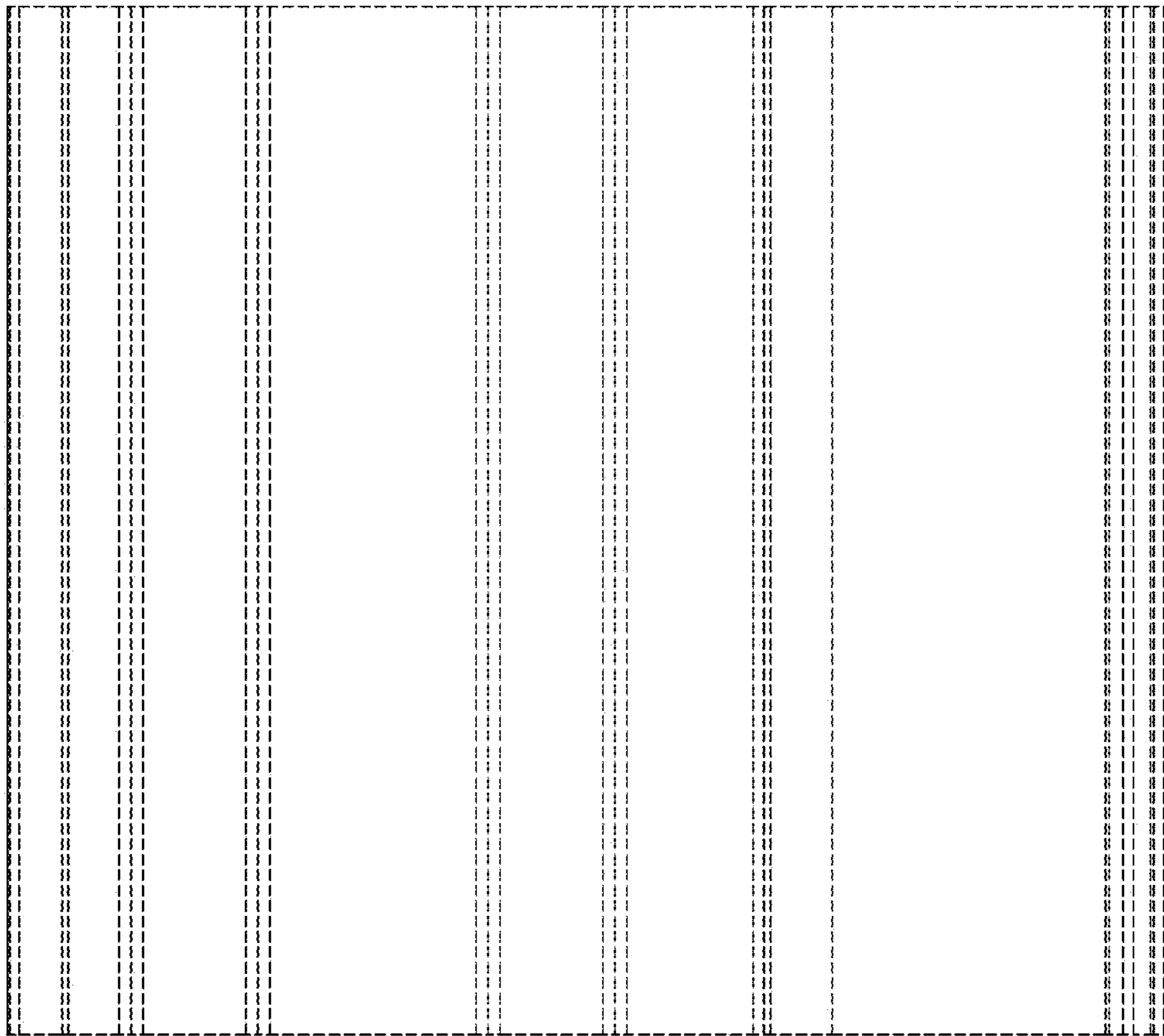


Fig. 3

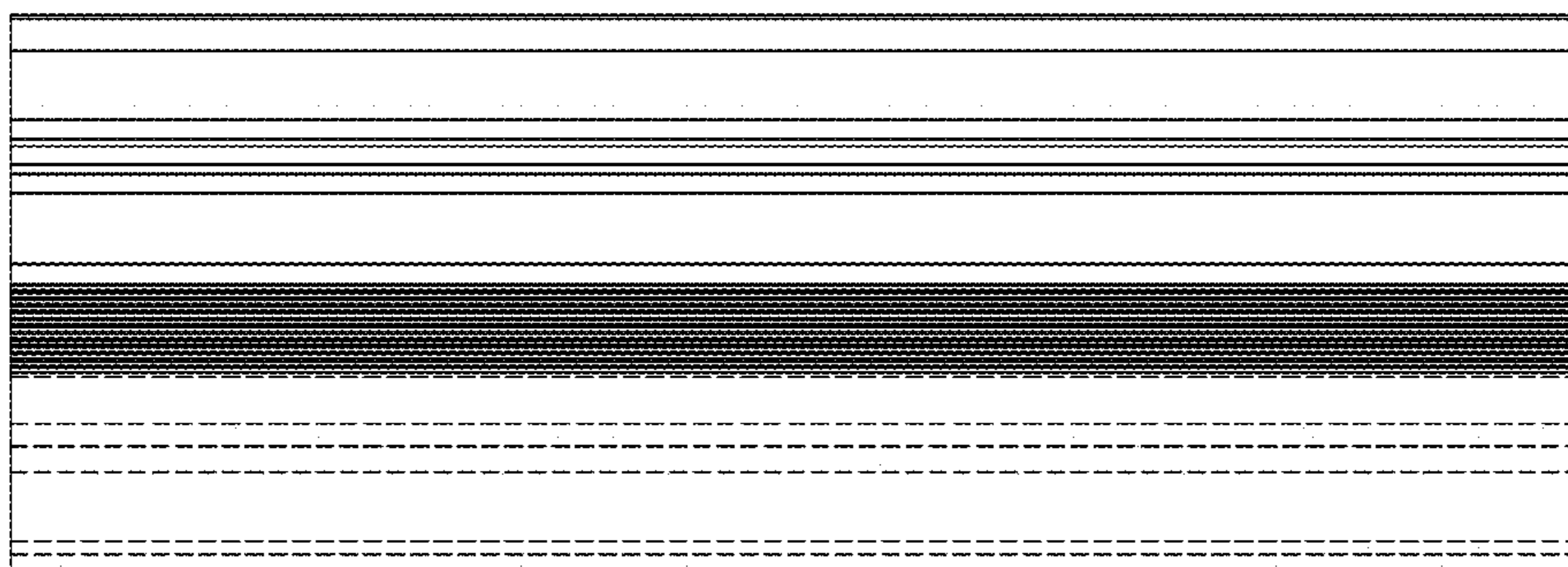


Fig. 4



Fig. 5

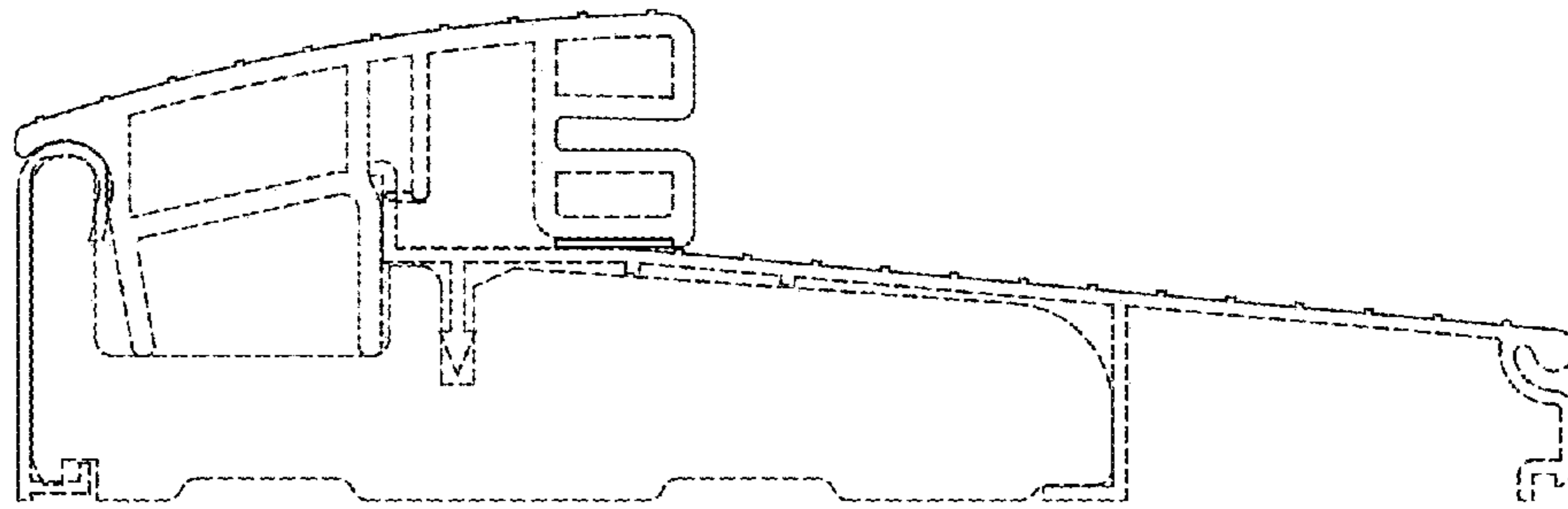


Fig. 6

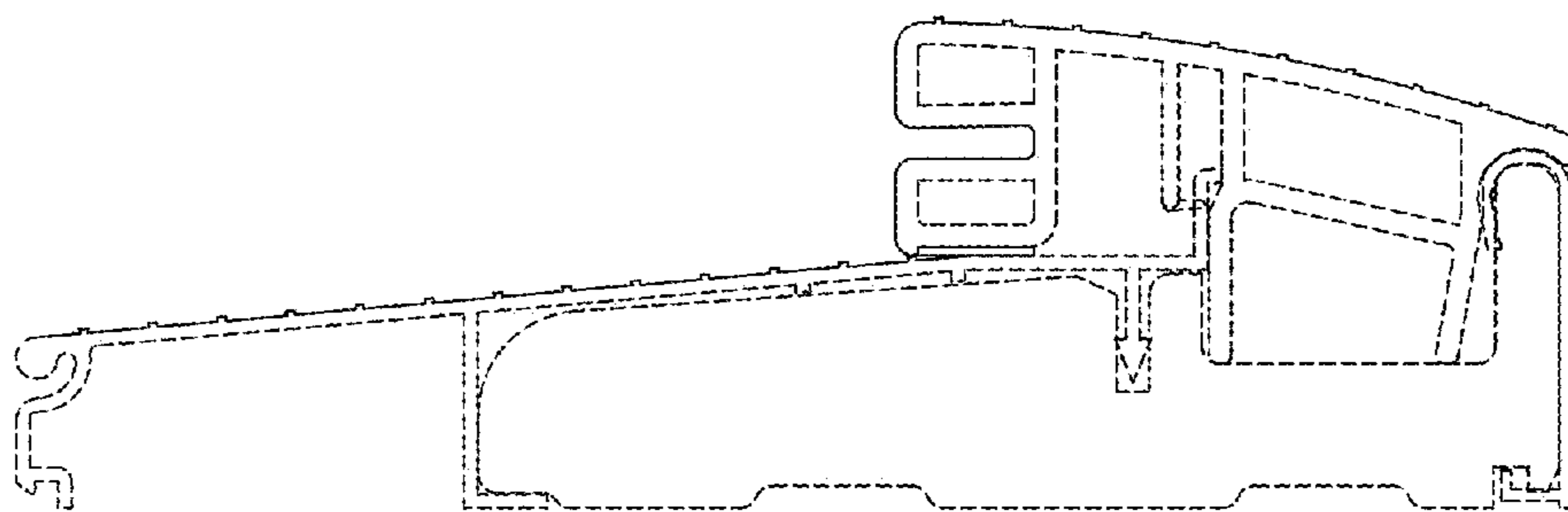


Fig. 7