



US00D766457S

(12) **United States Design Patent**  
**Cia et al.**

(10) **Patent No.:** **US D766,457 S**  
(45) **Date of Patent:** **\*\* Sep. 13, 2016**

(54) **MEDICAL INSTRUMENT, INSTRUMENT  
AND TOOL FOR LABORATORY USE**

(71) Applicant: **Neurotar Ltd**, Helsinki (FI)

(72) Inventors: **Sergio Cia**, Bronzolo (IT); **Alexander  
Shapiro**, Selvazzano Dentro (IT)

(73) Assignee: **Neurotar Ltd**, Helsinki (FI)

(\*\*) Term: **14 Years**

(21) Appl. No.: **29/503,887**

(22) Filed: **Sep. 30, 2014**

(30) **Foreign Application Priority Data**

Aug. 20, 2014 (EM) ..... 002522185-0001

(51) **LOC (10) Cl.** ..... **24-02**

(52) **U.S. Cl.**  
USPC ..... **D24/232**

(58) **Field of Classification Search**  
USPC ..... D24/231-232, 216, 224, 127;  
435/283.1, 286.2, 287.1; 422/50, 509,  
422/565-566; 204/193, 400  
CPC ..... B01L 9/00; B01L 9/02  
See application file for complete search history.

(56) **References Cited**

**U.S. PATENT DOCUMENTS**

5,498,550 A \* 3/1996 Fujiwara ..... G01N 33/54326  
435/283.1  
D540,953 S \* 4/2007 Ramel ..... D24/224

7,731,897 B2 \* 6/2010 Brenneman ..... B01L 3/502715  
422/50  
8,574,497 B2 \* 11/2013 Pfaff ..... G01N 1/286  
422/50  
D720,079 S \* 12/2014 Oonuma ..... D24/232

**OTHER PUBLICATIONS**

Mobile HomeCage. Neurotar. [Retrieved on May 5, 2016].  
Retrieved from the Internet: ,URL: <http://www.neurotar.com>>.\*

\* cited by examiner

*Primary Examiner* — Wan Laymon

(74) *Attorney, Agent, or Firm* — Hoffmann & Baron, LLP

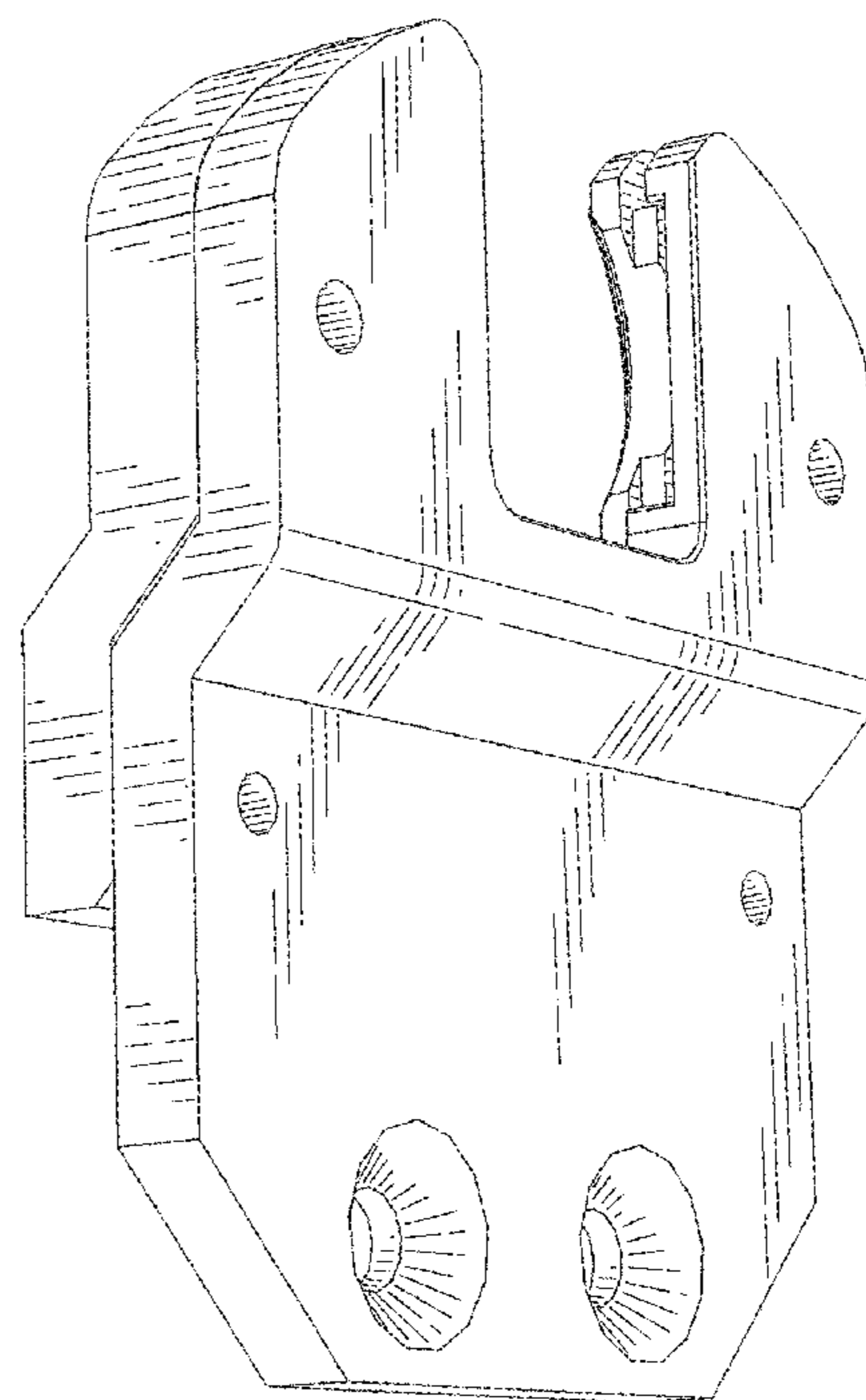
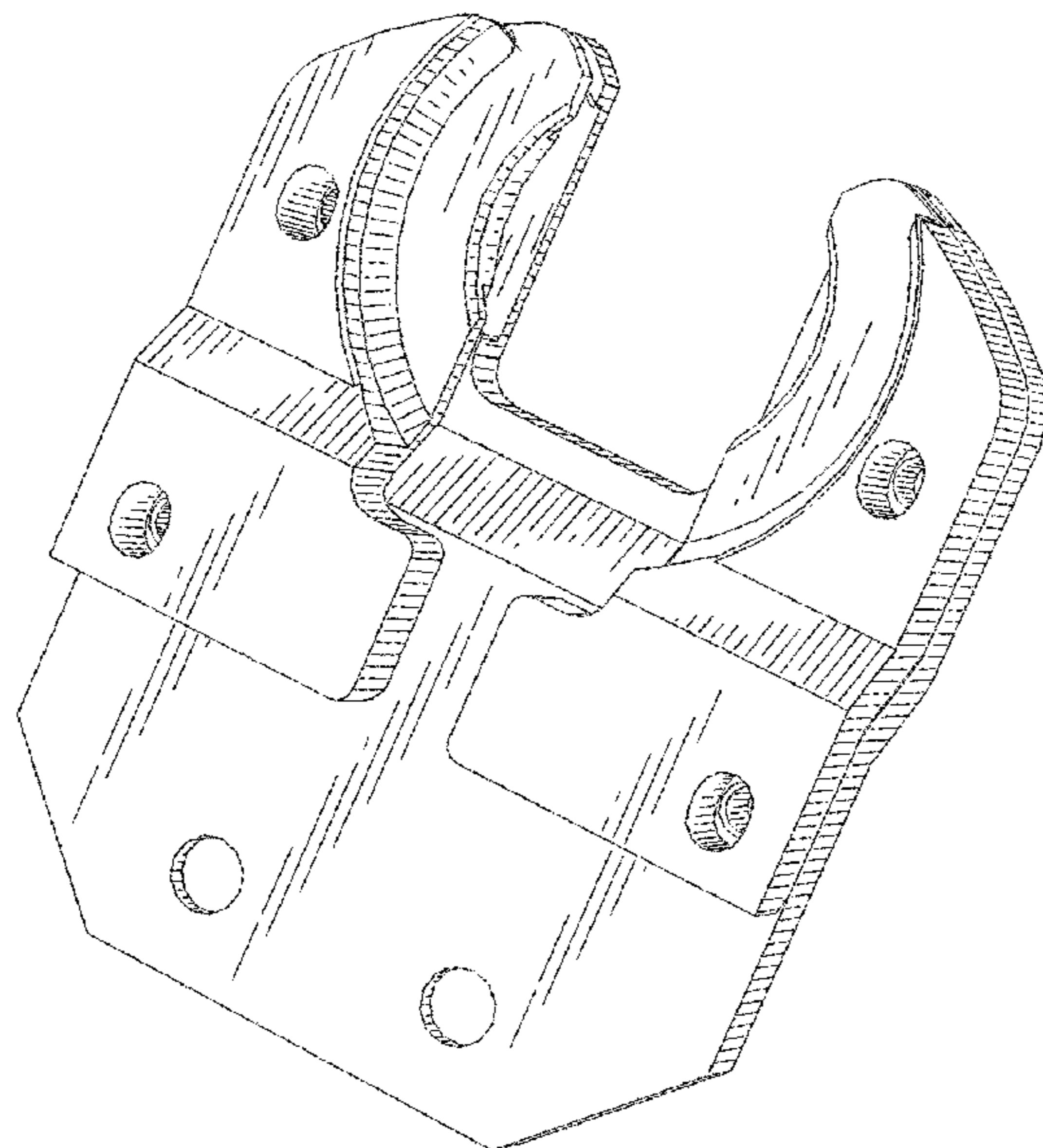
(57) **CLAIM**

The ornamental design for a medical instrument, instrument  
and tool for laboratory use, as shown and described.

**DESCRIPTION**

FIG. 1 is a perspective top view of a medical instrument,  
instrument and tool for laboratory use;  
FIG. 2 is a perspective end view of the medical instrument,  
instrument and tool for laboratory use;  
FIG. 3 is a perspective bottom view of the medical instru-  
ment, instrument and tool for laboratory use;  
FIG. 4 is an end view of the medical instrument, instrument  
and tool for laboratory use;  
FIG. 5 is a top view of the medical instrument, instrument  
and tool for laboratory use;  
FIG. 6 is a side view of the medical instrument, instrument  
and tool for laboratory use; and,  
FIG. 7 is a bottom view of the medical instrument, instru-  
ment and tool for laboratory use.

**1 Claim, 7 Drawing Sheets**



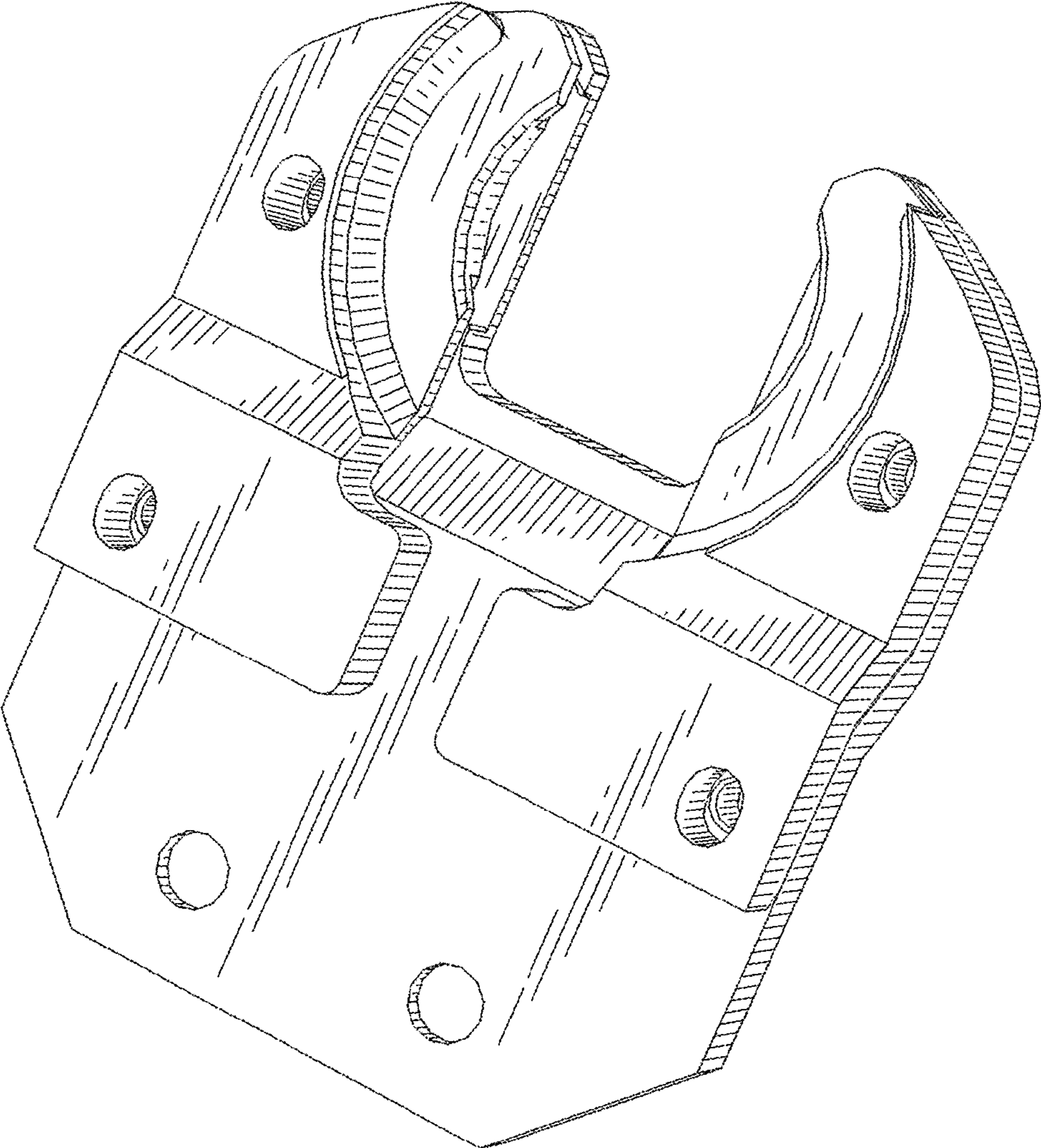


FIG. 1

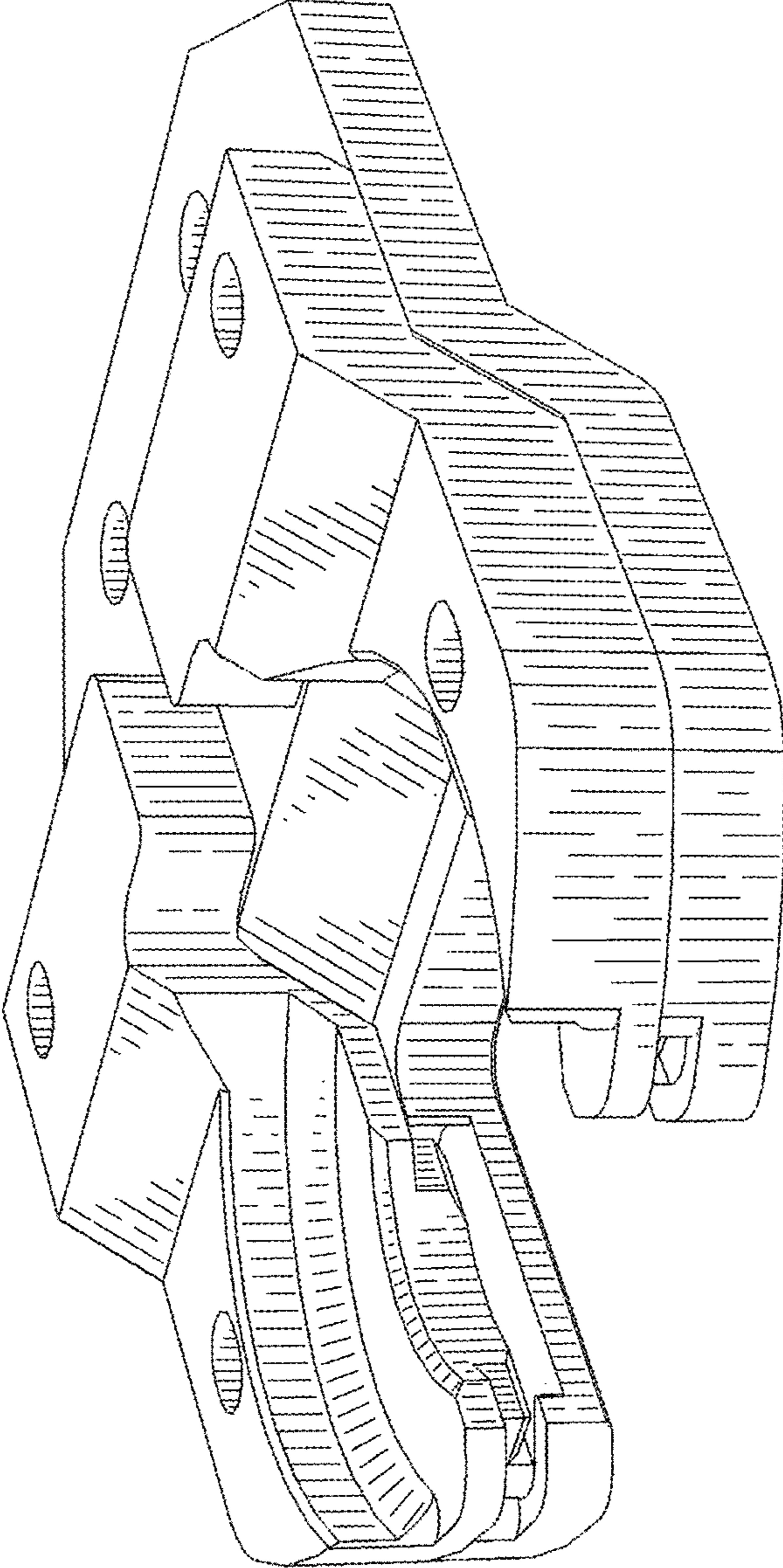


FIG. 2



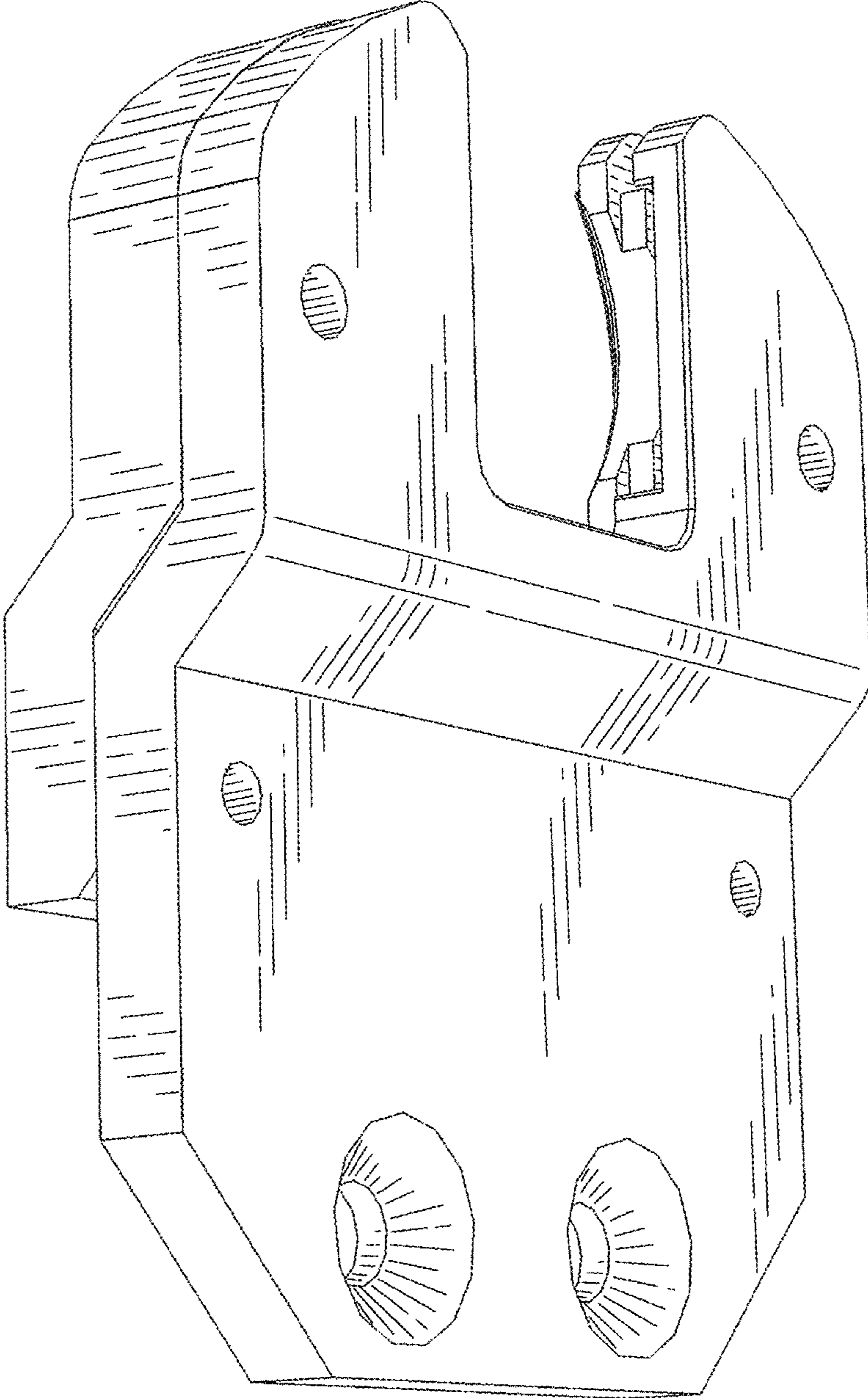


FIG. 3

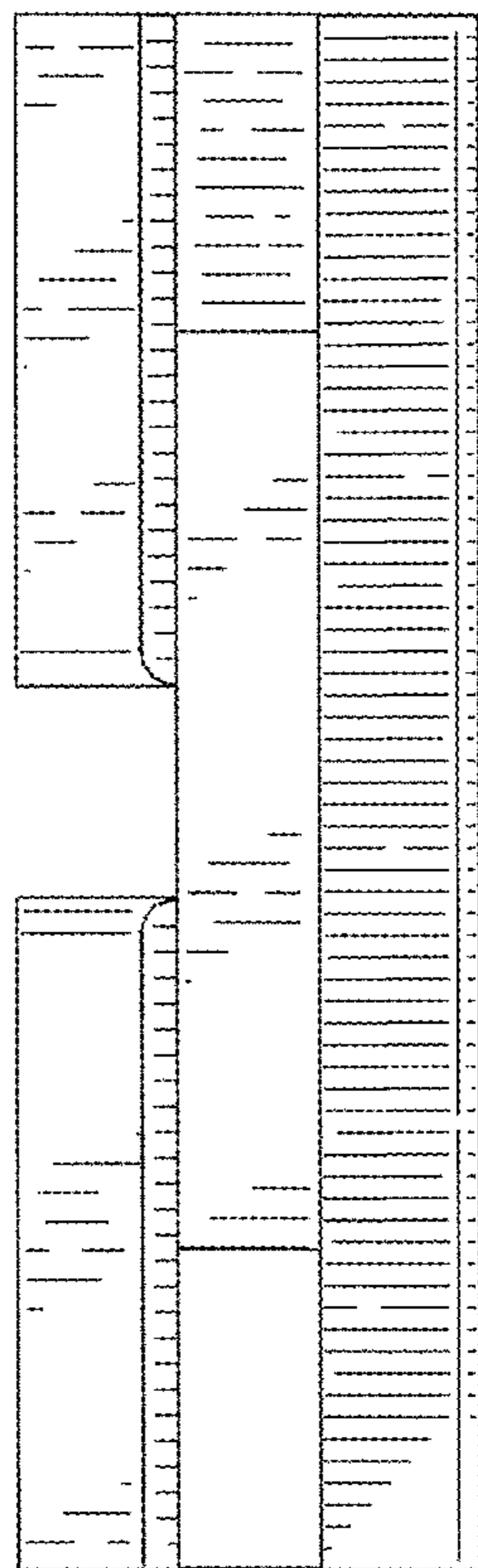


FIG. 4

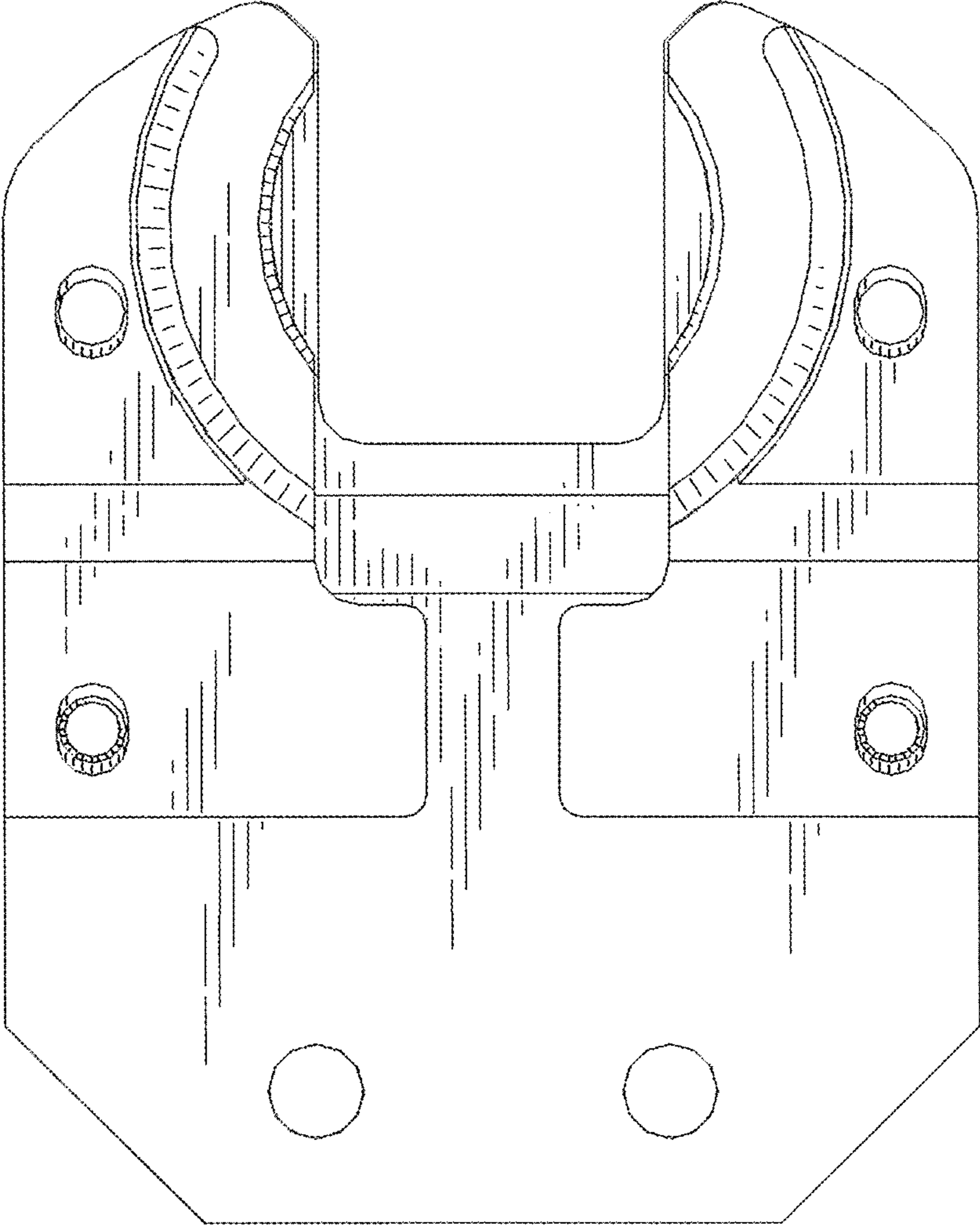


FIG. 5

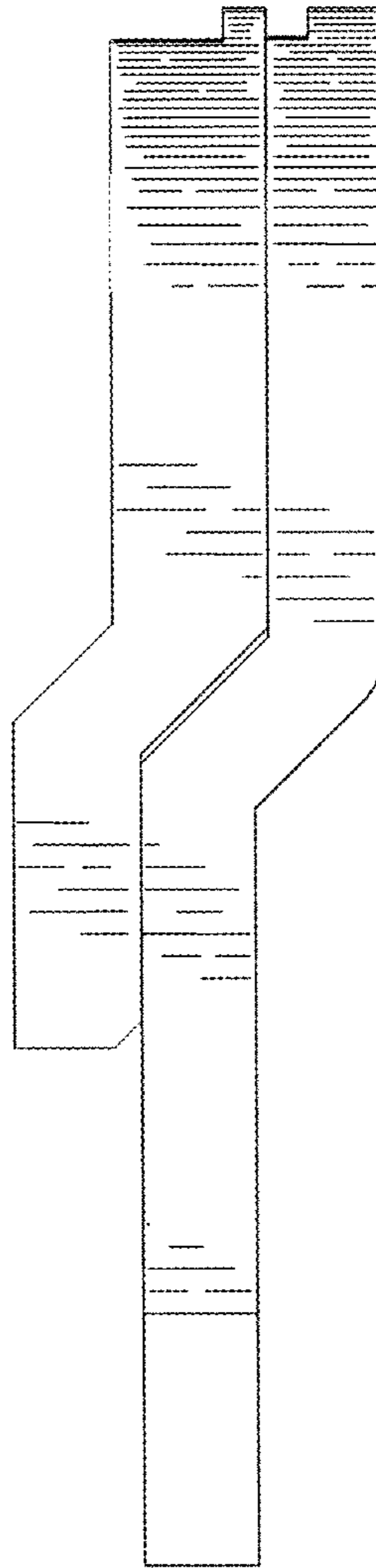


FIG. 6

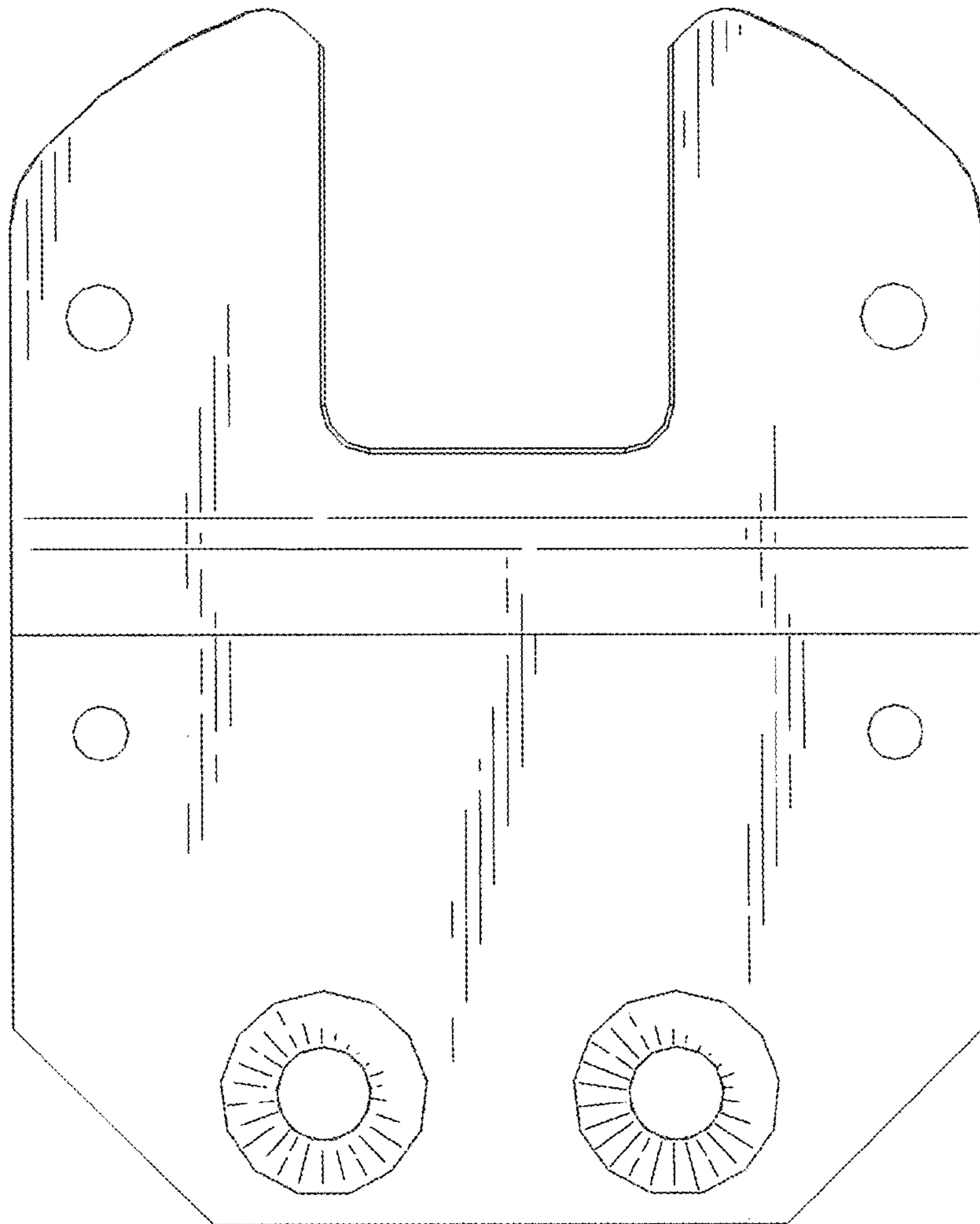


FIG. 7