



US00D766456S

(12) **United States Design Patent** (10) **Patent No.:** **US D766,456 S**
Luc (45) **Date of Patent:** **** Sep. 13, 2016**

(54) **SOUND MACHINE**
(71) Applicant: **MerchSource, LLC**, Irvine, CA (US)
(72) Inventor: **Todd Luc**, Irvine, CA (US)
(73) Assignee: **MerchSource, LLC**, Irvine, CA (US)
(**) Term: **14 Years**

D396,855 S * 8/1998 Barbeau D24/231
D399,320 S * 10/1998 Barbeau D24/231
5,867,580 A * 2/1999 Anderson G10H 1/0041
381/61
D408,312 S * 4/1999 Sirois D10/116.1
D447,434 S * 9/2001 Cowan D10/116.1
D605,305 S * 12/2009 Carter D24/231
D663,430 S * 7/2012 Rapp D24/186
D673,218 S * 12/2012 Paslawski D19/62
D735,875 S * 8/2015 Hagenauer D24/210
D736,943 S * 8/2015 Hagenauer D24/210

(21) Appl. No.: **29/516,407**
(22) Filed: **Feb. 2, 2015**
(51) **LOC (10) Cl.** **24-00**
(52) **U.S. Cl.**
USPC **D24/231**
(58) **Field of Classification Search**
USPC D24/231, 186, 210; D10/116.1, 109.2;
D19/62; D14/194; 116/147; 600/27;
181/153; 381/61
CPC A61M 21/00; A61N 1/408; H04R 1/22;
G10H 1/0041
See application file for complete search history.

OTHER PUBLICATIONS

Brookstone; Tranquil Moments Sleep Sound Therapy System;
<http://www.brookstone.com/tranquil-moments-sound-machines-for-sleep>; printed from website Aug. 13, 2015; 2 pp.

* cited by examiner

Primary Examiner — Holly Baynham
Assistant Examiner — Rhea Shields
(74) *Attorney, Agent, or Firm* — Avyno Law P.C.

(56) **References Cited**

U.S. PATENT DOCUMENTS

3,121,220 A * 2/1964 Buckwalter A61M 21/00
116/147
3,376,870 A * 4/1968 Yamamoto A61N 1/0408
600/27
3,826,333 A * 7/1974 Buckwalter H04R 1/22
181/153
D244,878 S * 6/1977 Brand D14/194
D248,669 S * 7/1978 Ramsey D24/188
D311,065 S * 10/1990 Theisen D24/231
D360,158 S * 7/1995 Hamof D10/109.2
D371,785 S * 7/1996 DiCampli D10/116.1
D371,979 S * 7/1996 Nottingham D10/116.1
D376,148 S * 12/1996 Moallemi D10/116.1

(57) **CLAIM**
I claim the ornamental design for a sound machine, as shown and described.

DESCRIPTION

FIG. 1 is a front perspective view of a sound machine.
FIG. 2 is a top view of the sound machine of FIG. 1.
FIG. 3 is a front view of the sound machine of FIG. 1.
FIG. 4 is a rear view of the sound machine of FIG. 1.
FIG. 5 is a bottom view of the sound machine of FIG. 1.
FIG. 6 is a side view of the left side of the sound machine of FIG. 1; and,
FIG. 7 is a side view of the right side of the sound machine of FIG. 1.

1 Claim, 4 Drawing Sheets

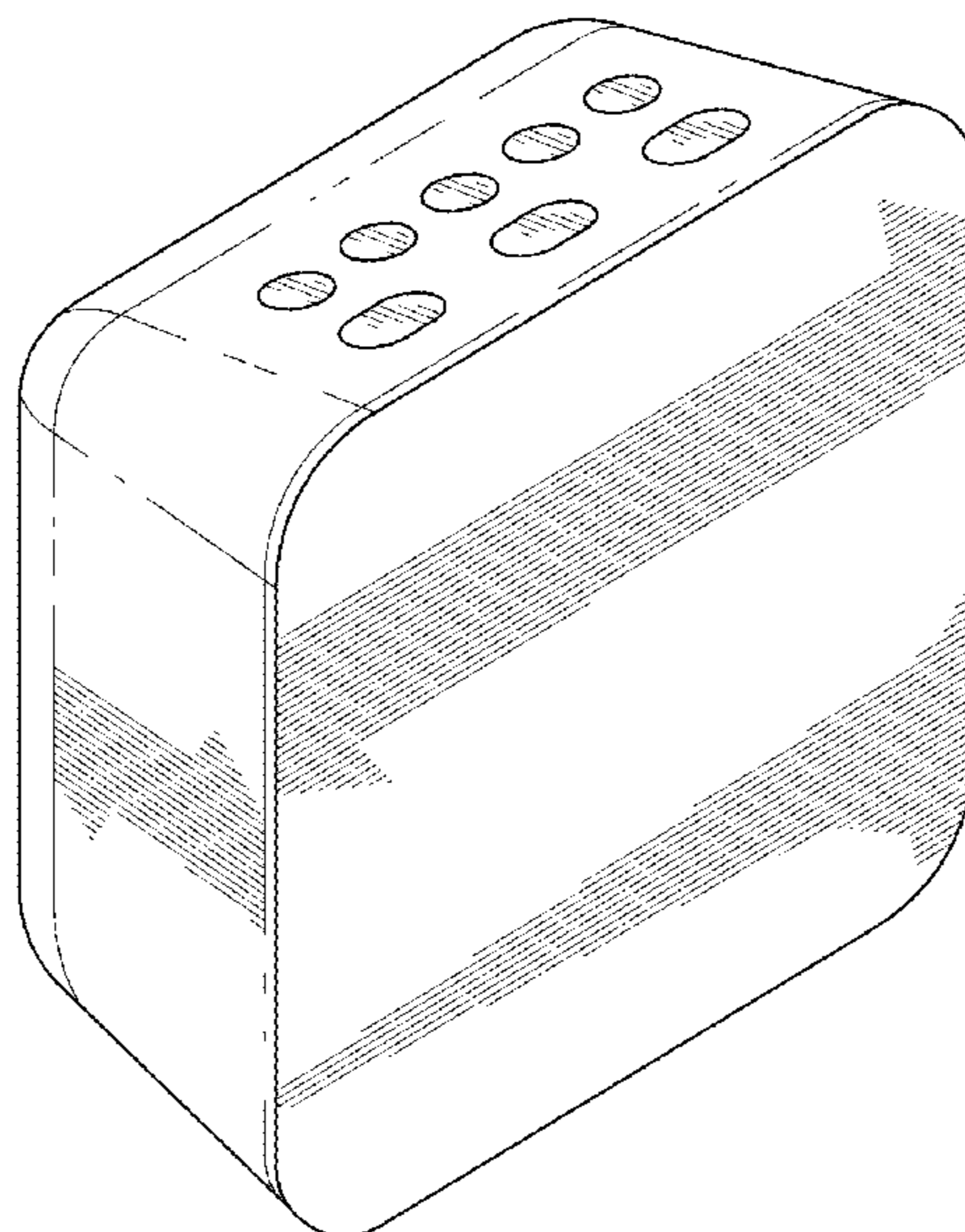
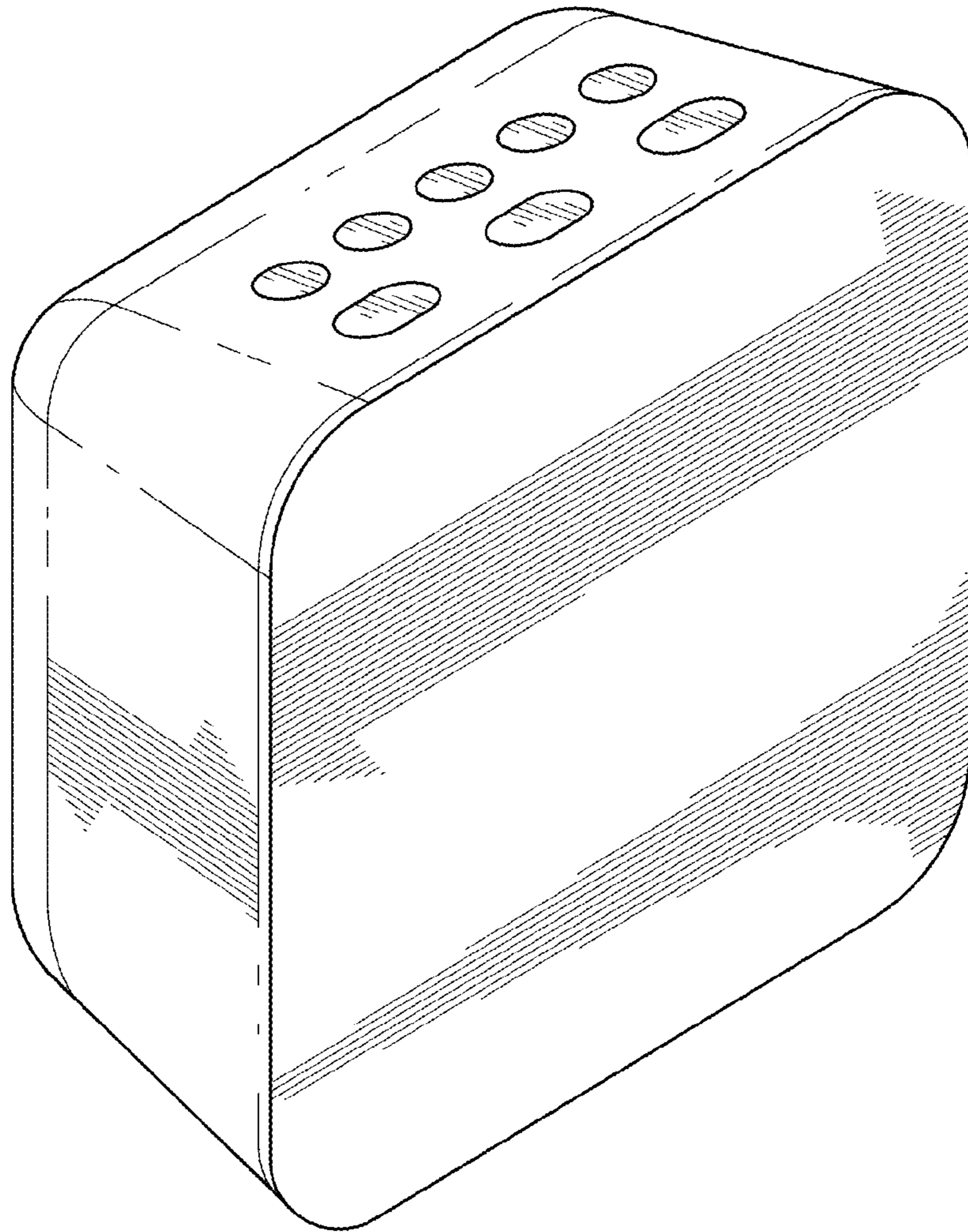


FIG. 1



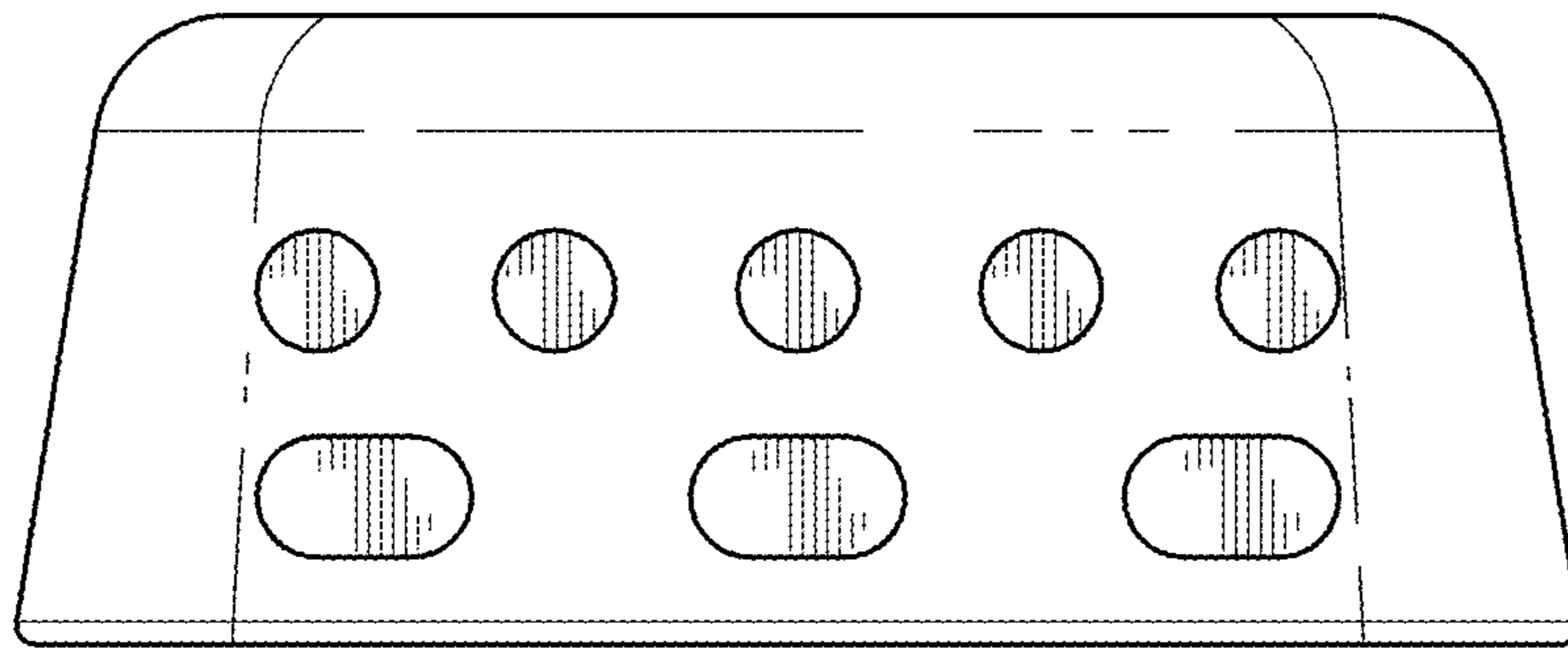


FIG. 2

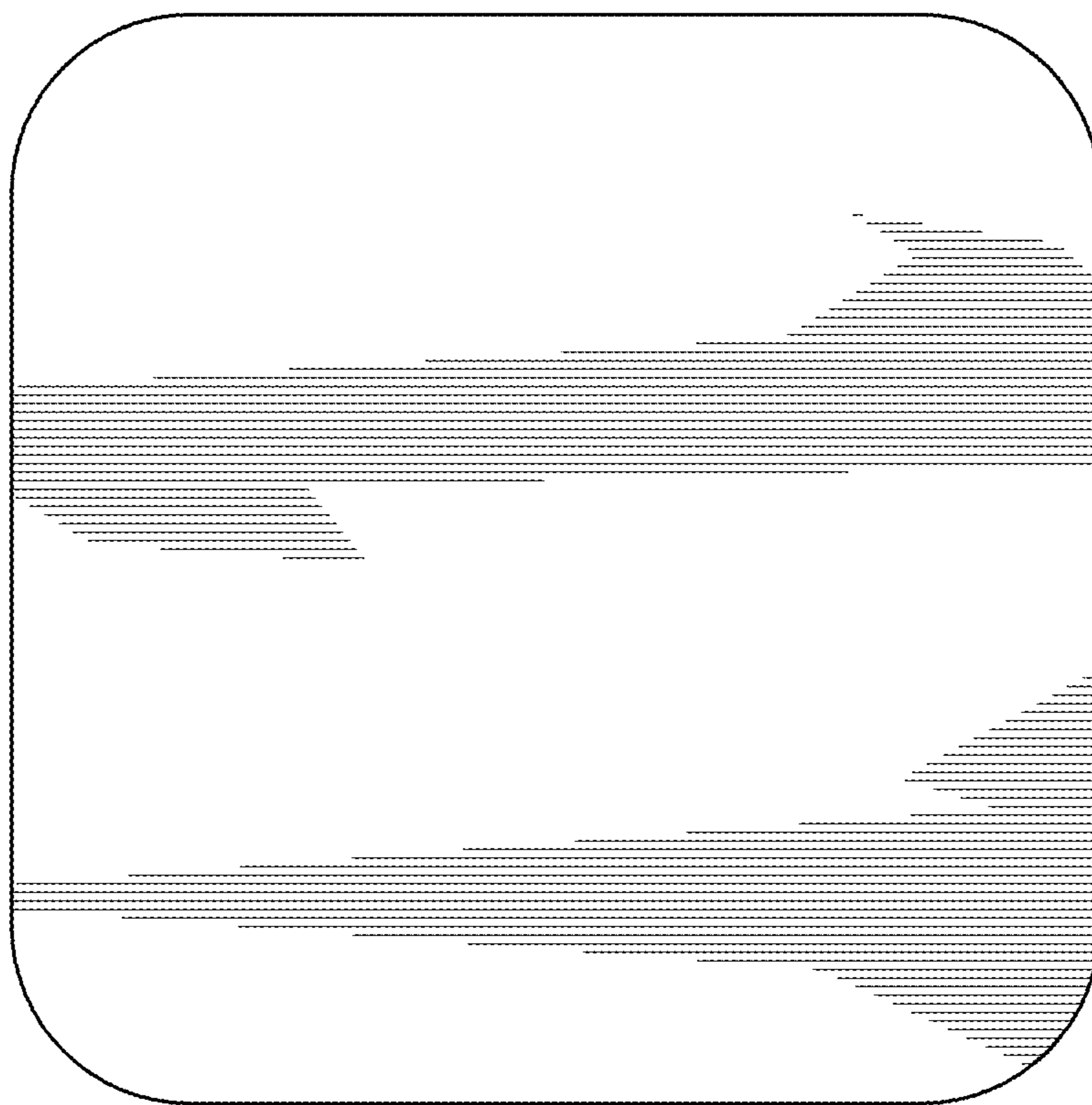


FIG. 3

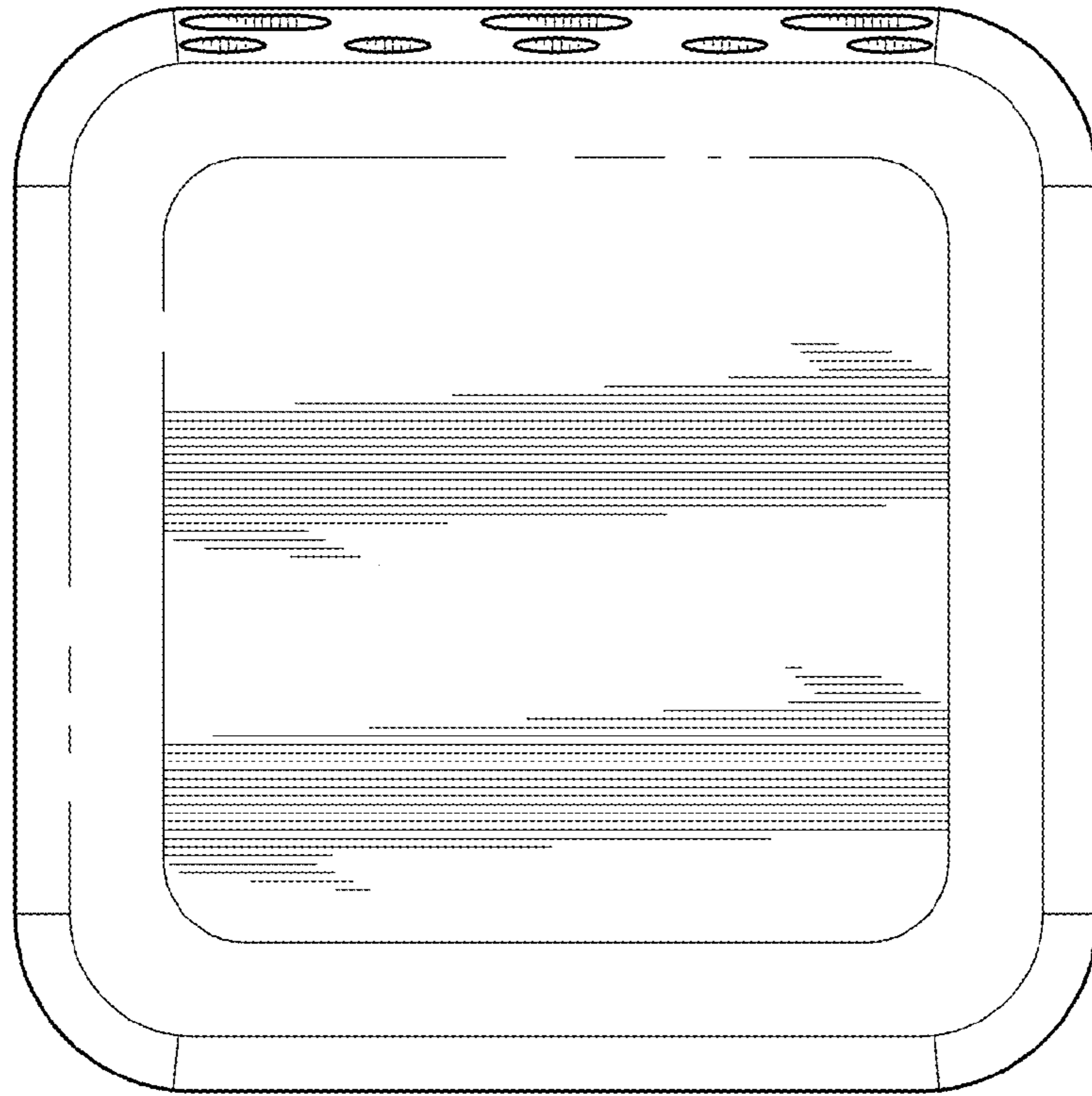


FIG. 4

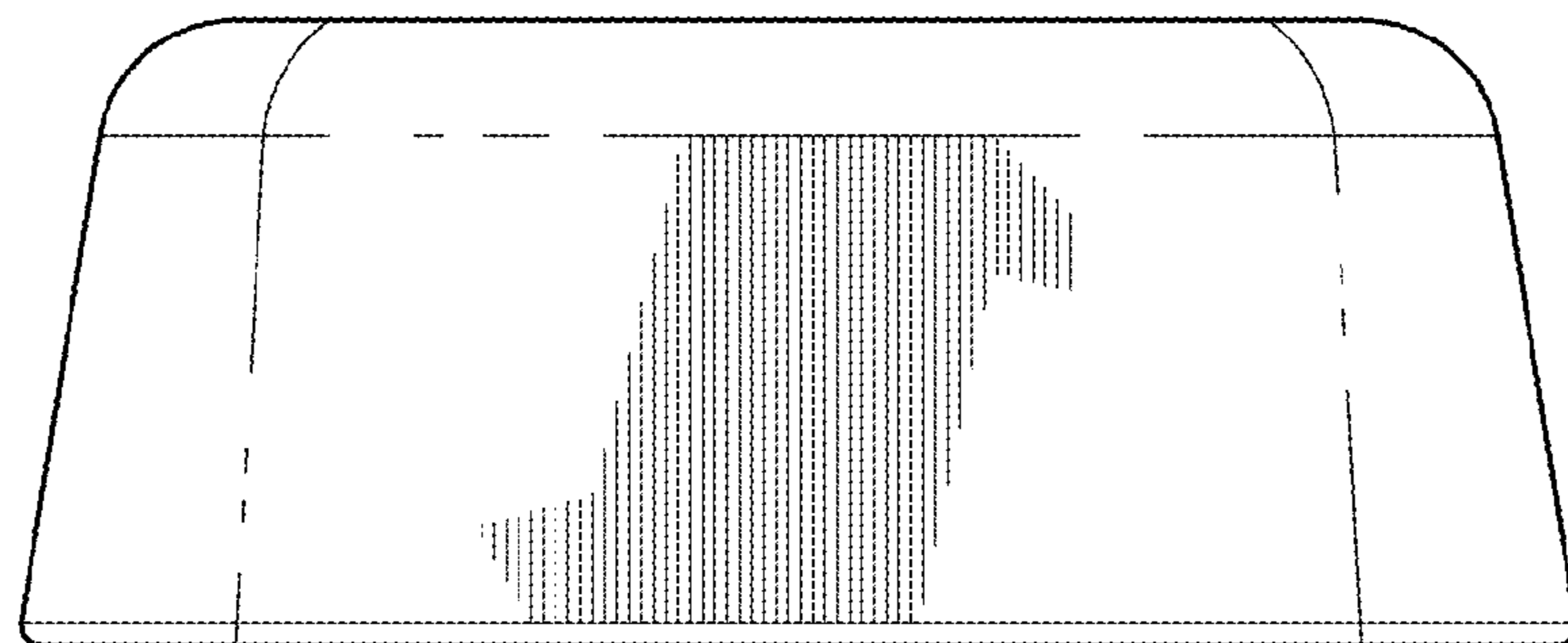


FIG. 5

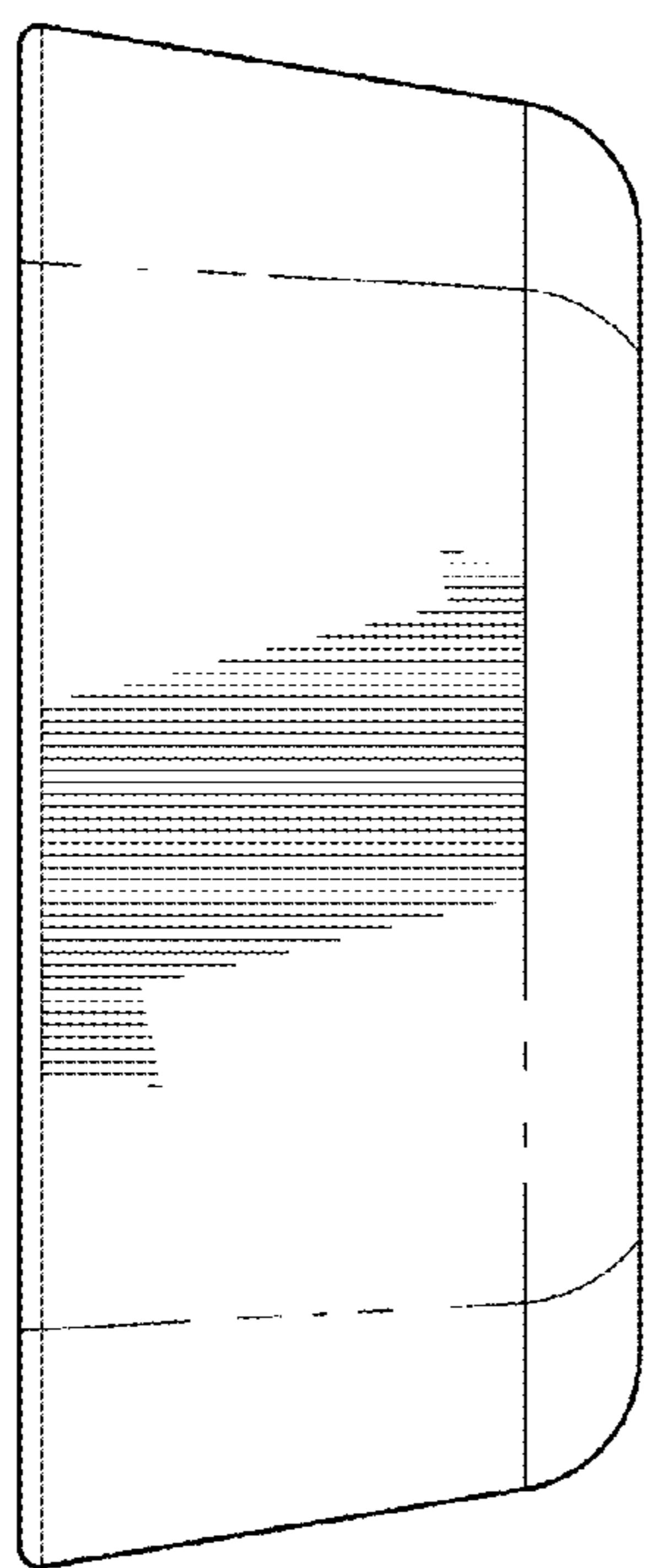


FIG. 6

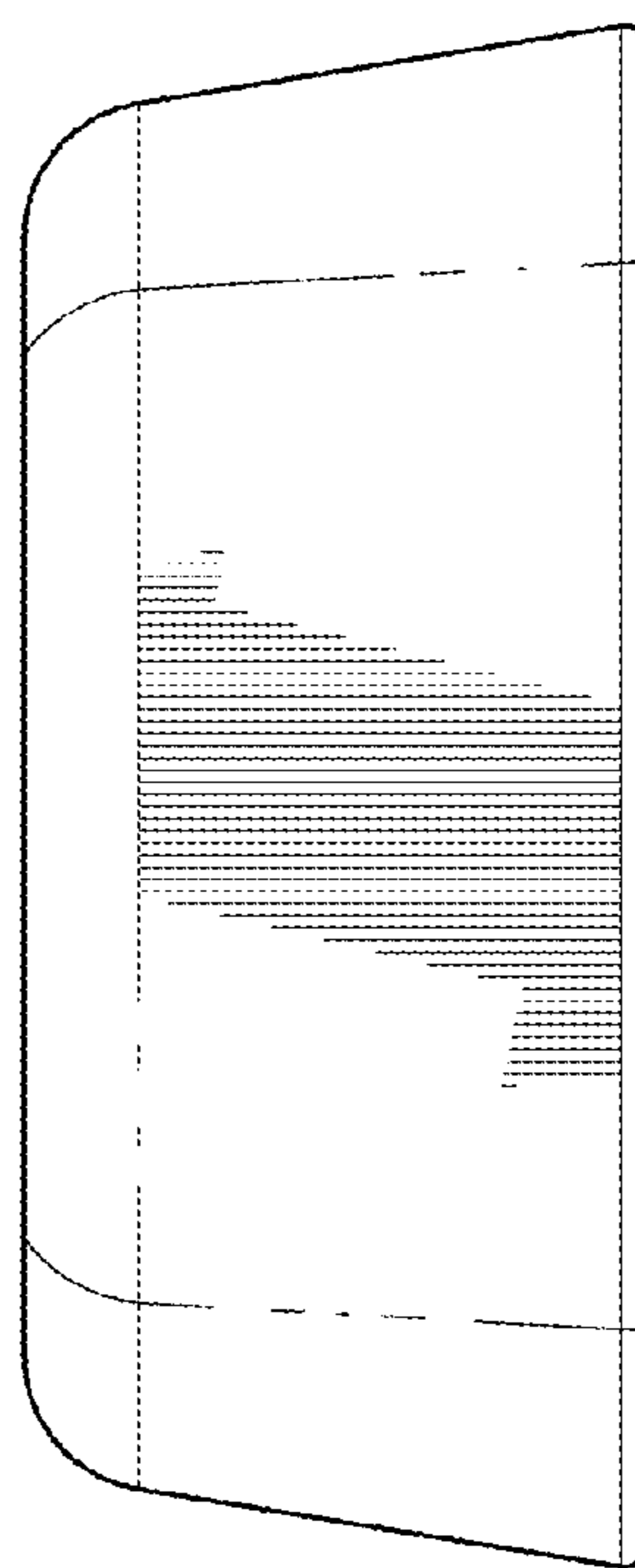


FIG. 7