



US00D766452S

(12) **United States Design Patent**
Ho

(10) **Patent No.:** **US D766,452 S**

(45) **Date of Patent:** **** Sep. 13, 2016**

(54) **MINIATURE LIP PLUMPER**

(71) Applicant: **Thienna Ho**, San Francisco, CA (US)

(72) Inventor: **Thienna Ho**, San Francisco, CA (US)

(**) Term: **15 Years**

(21) Appl. No.: **29/531,308**

(22) Filed: **Jun. 24, 2015**

Related U.S. Application Data

(63) Continuation-in-part of application No. 13/586,758, filed on Aug. 15, 2012, now Pat. No. 9,119,758.

(51) **LOC (10) Cl.** **24-99**

(52) **U.S. Cl.**
USPC **D24/200**

(58) **Field of Classification Search**
USPC D24/200, 206-208, 214-215; D28/67;
D7/628; D9/643, 645; 428/21
CPC A41G 1/00; A41G 1/008; A61H 7/00;
A61H 7/001; A61H 7/002; A61H 7/003;
A61H 7/005; A61H 7/007; A61H 7/008;
A61H 2007/009; A61H 9/0057; A61H 9/005;
A61H 2009/0064; A61H 2205/00; A61H
2205/022

See application file for complete search history.

(56) **References Cited**

U.S. PATENT DOCUMENTS

D431,097 S * 9/2000 Tamez D28/67
6,189,545 B1 * 2/2001 Tamez A61C 15/043
D28/67
D605,471 S * 12/2009 Ehrenhaus D7/628
D666,460 S * 9/2012 Kolano D7/628
8,858,472 B2 * 10/2014 Gomez A61H 9/0057
601/6

OTHER PUBLICATIONS

Set 4: CandyLipz Lip Plumper Set. Thienna 2013 [retrieved on Apr. 6, 2016]. Retrieved from the Internet: <URL: <http://www.candylipz.com>>.*

* cited by examiner

Primary Examiner — Wan Laymon

(74) *Attorney, Agent, or Firm* — Jonathan Jaech Snell & Wilmer L.L.P.

(57) **CLAIM**

The ornamental design for a miniature lip plumper, as shown and described.

DESCRIPTION

FIG. 1 is a perspective view of the lip plumper in a closed configuration, from above and to the side.

FIG. 2 is a perspective view of the lip plumper in a closed configuration, from below and to the side.

FIG. 3 is a front side view of the lip plumper shown in FIG. 1.

FIG. 4 is a rear side view of the lip plumper shown in FIG. 1.

FIG. 5 is a right side view of the lip plumper shown in FIG. 1.

FIG. 6 is left side view of the lip plumper of FIG. 1.

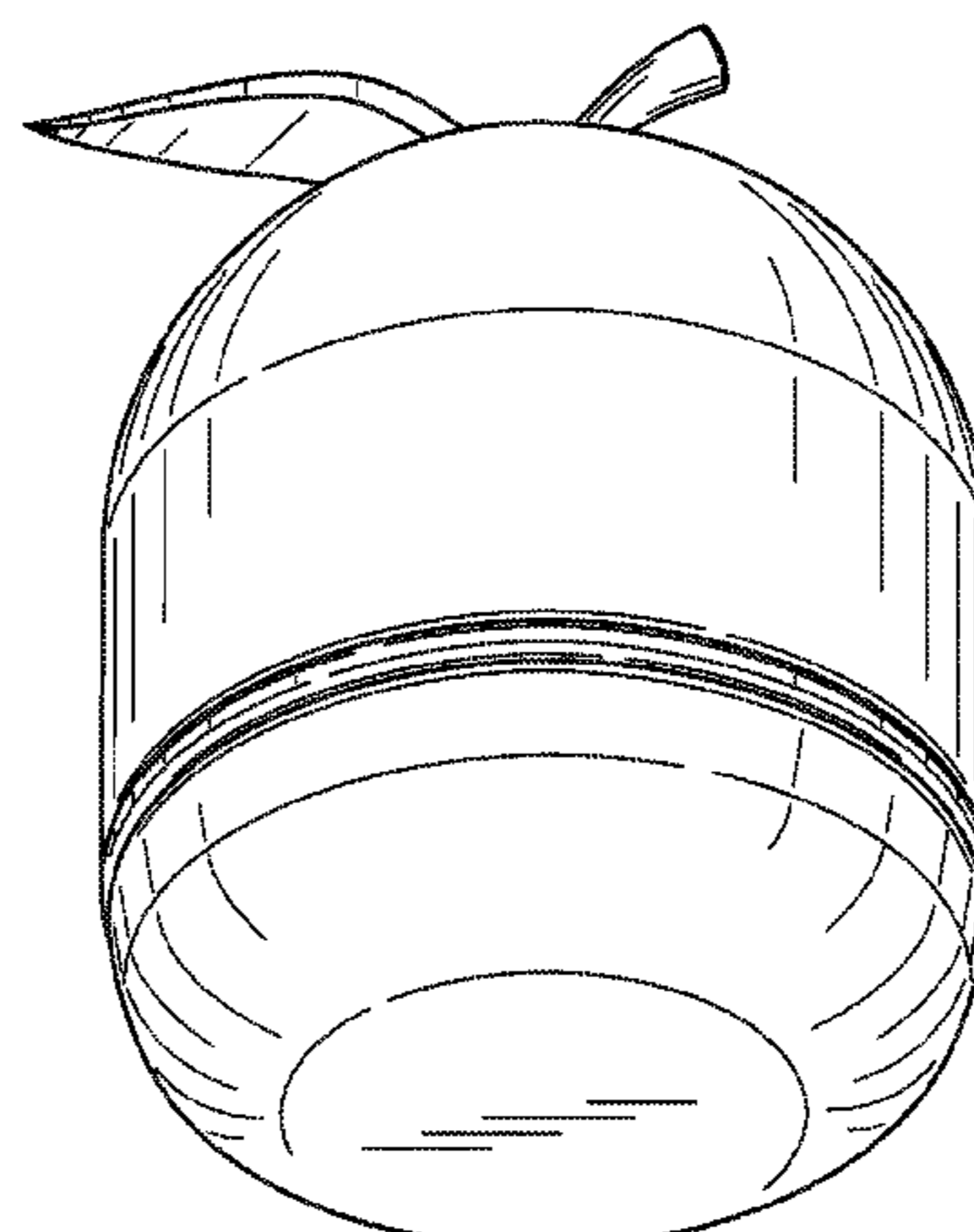
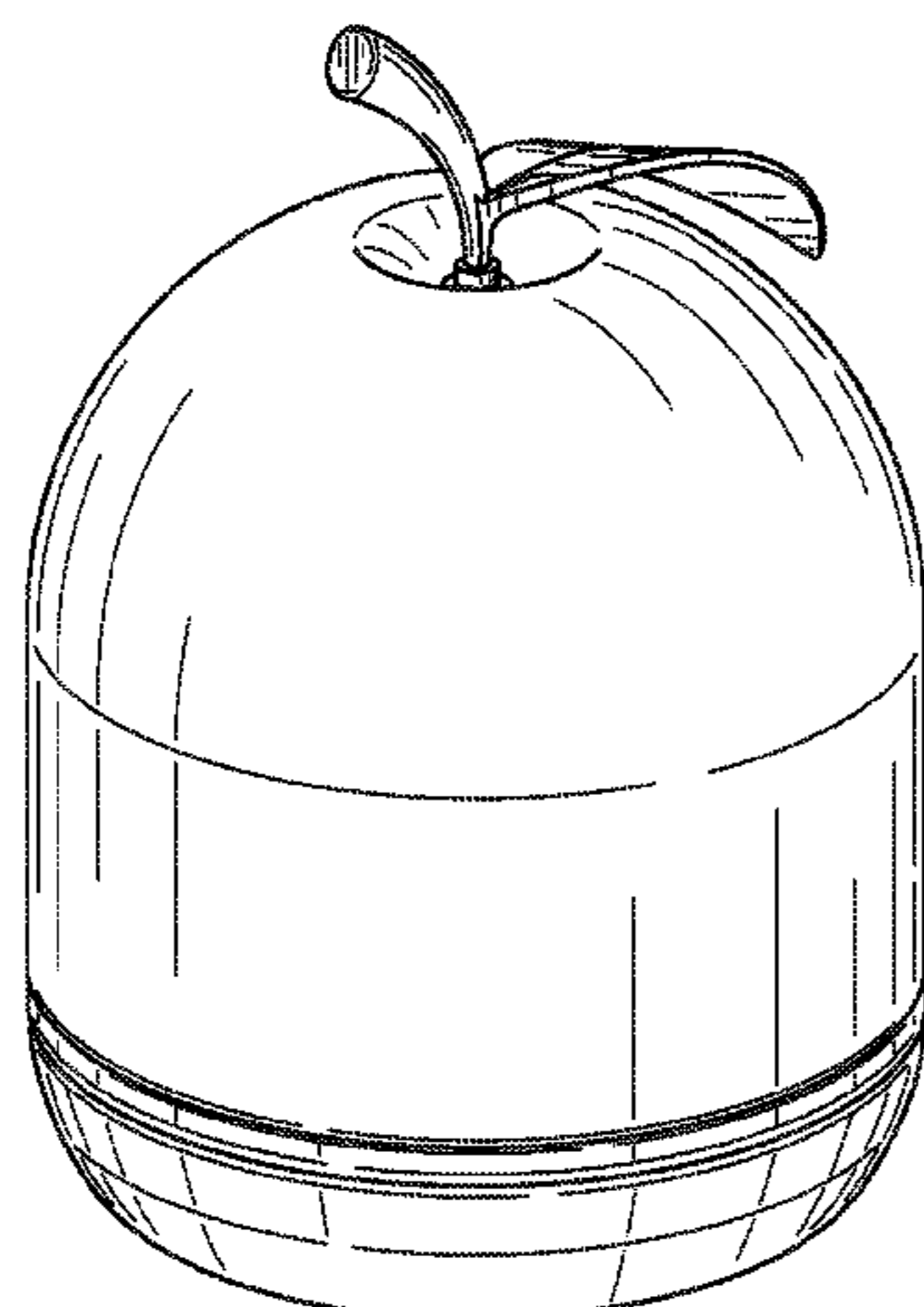
FIG. 7 is a top plan view of the lip plumper shown in FIG. 1.

FIG. 8 is a bottom plan view of the lip plumper shown in FIG. 1; and,

FIG. 9 is an exploded perspective view of the lip plumper shown in FIG. 1, showing interior components that are not a part of the ornamental design, for context.

The broken lines shown in the figures represent portions of the miniature lip plumper that form no part of the claimed design. The middle, generally cylindrical component is the mouthpiece of the lip plumper, and is open on both ends, including the obscured end. The upper part is a soft compressible component for creating suction through the mouthpiece. The lowermost part is a cover for the mouthpiece, when not in use.

1 Claim, 6 Drawing Sheets



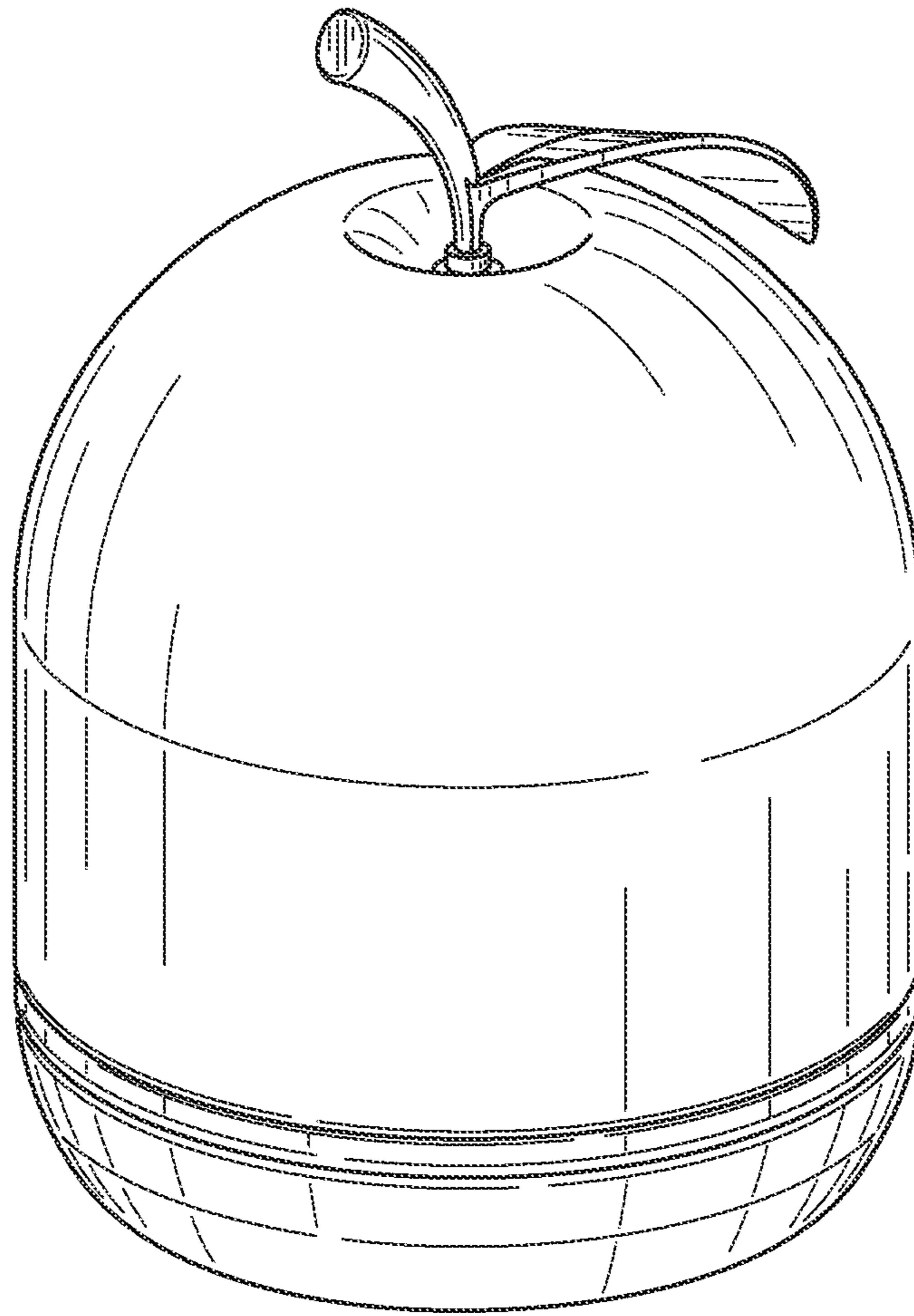


FIG. 1

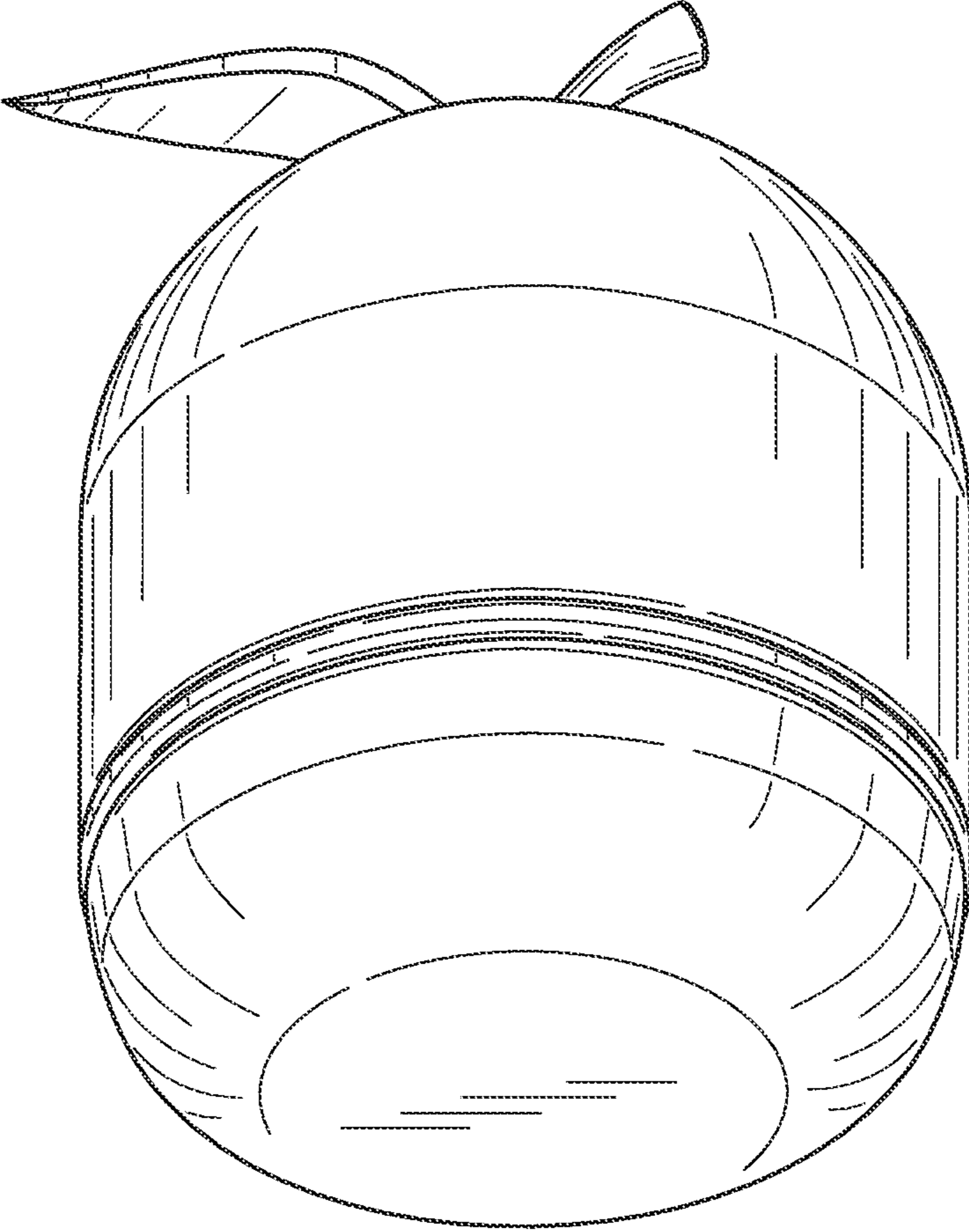


FIG. 2

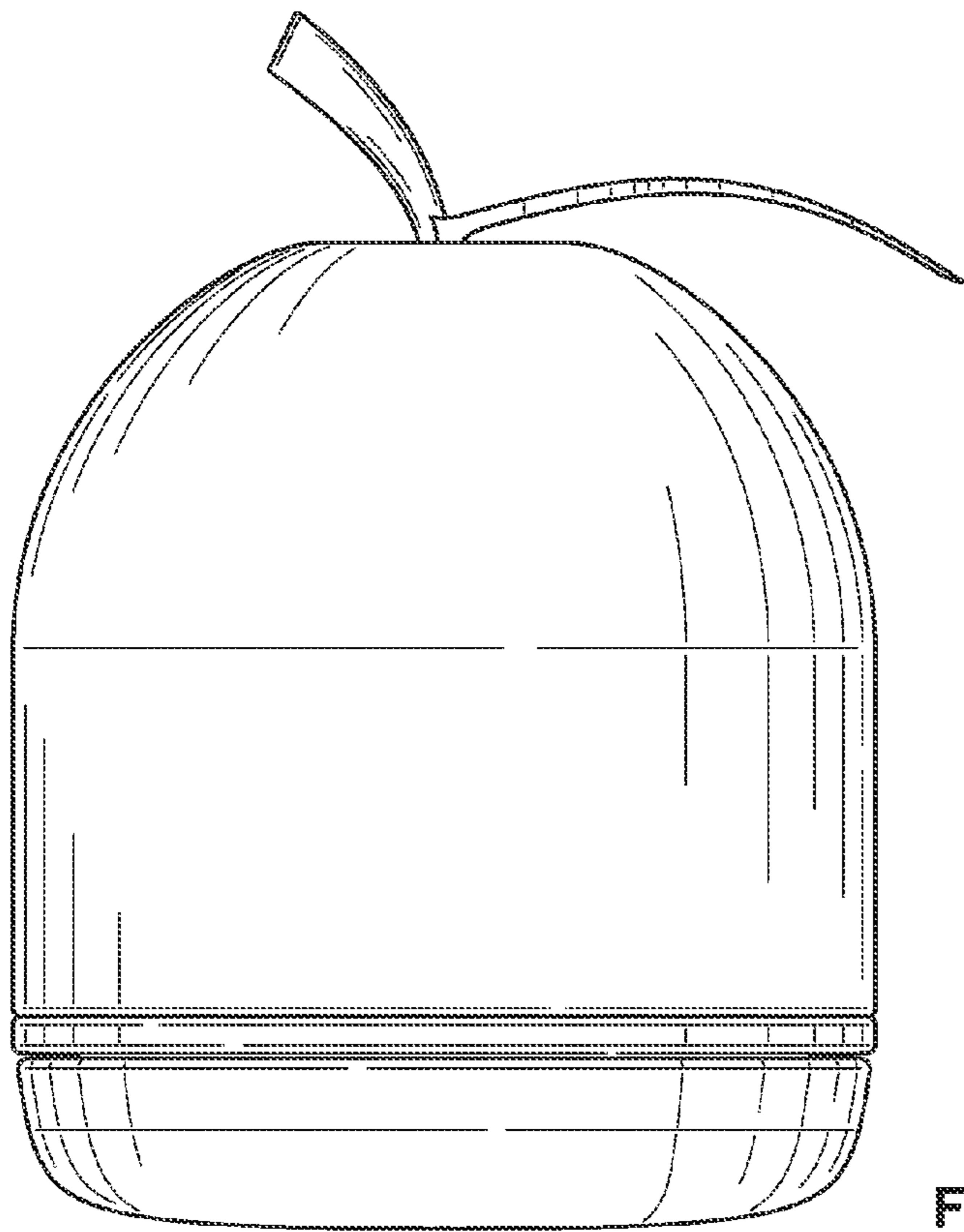


FIG. 3

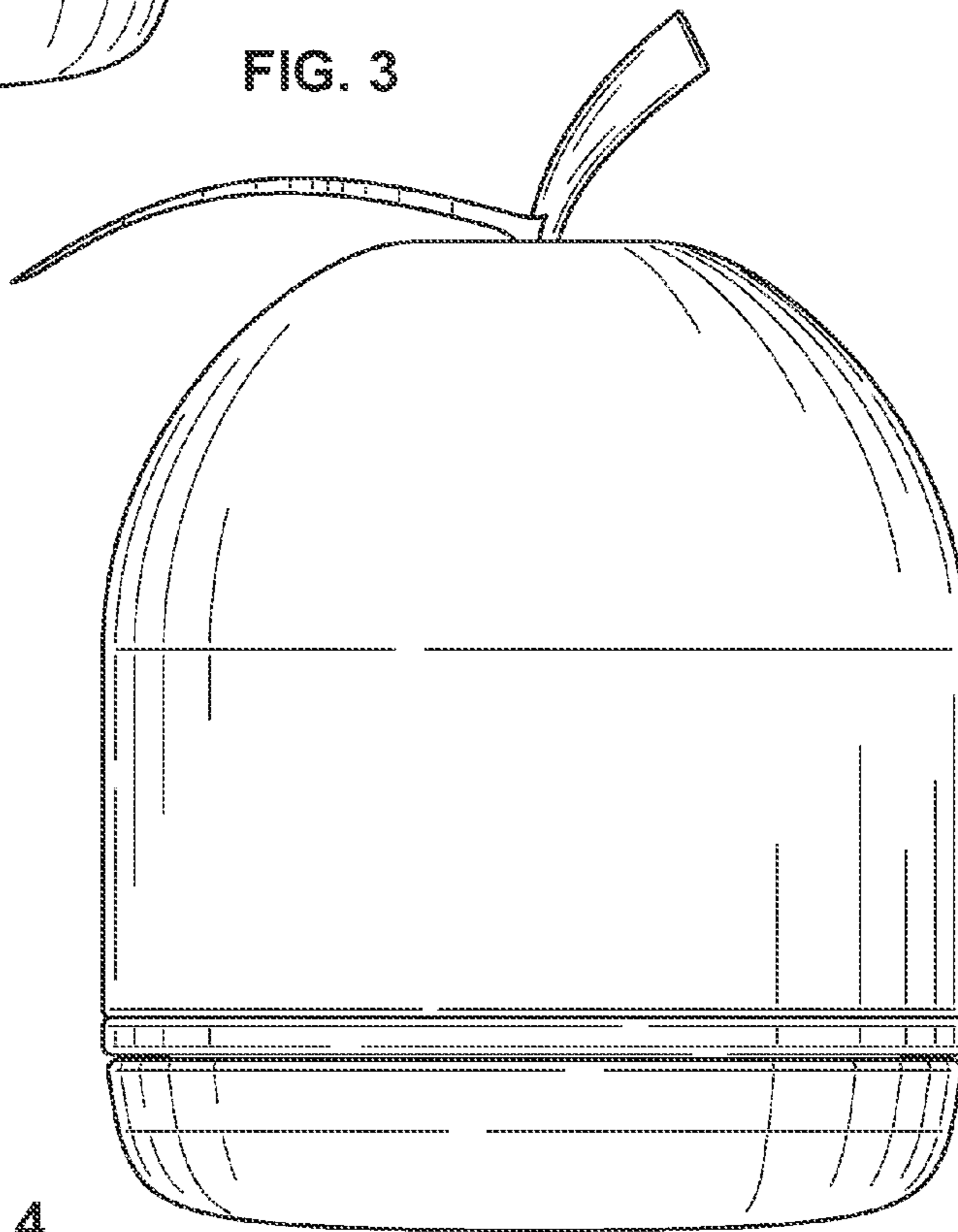


FIG. 4

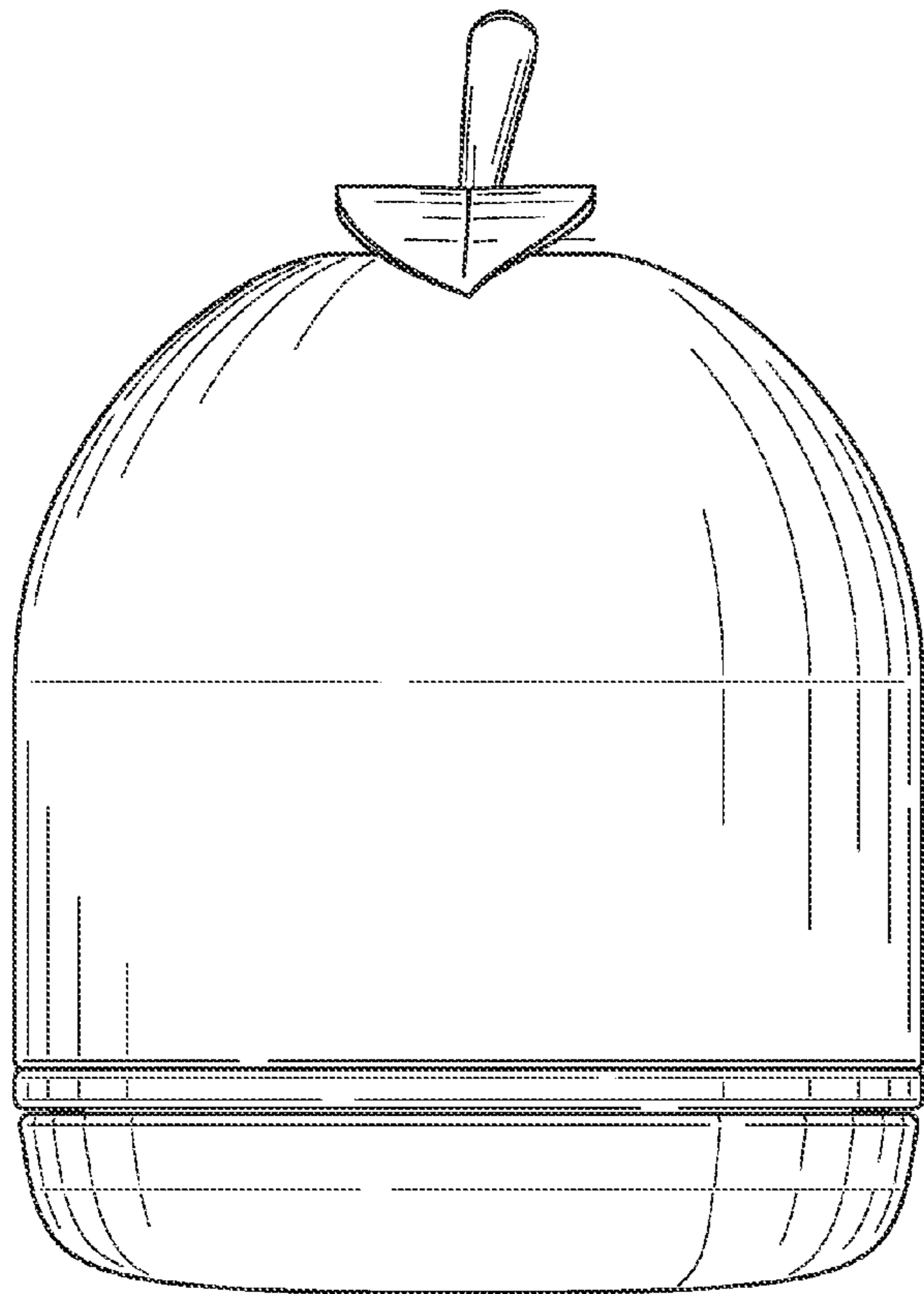


FIG. 5

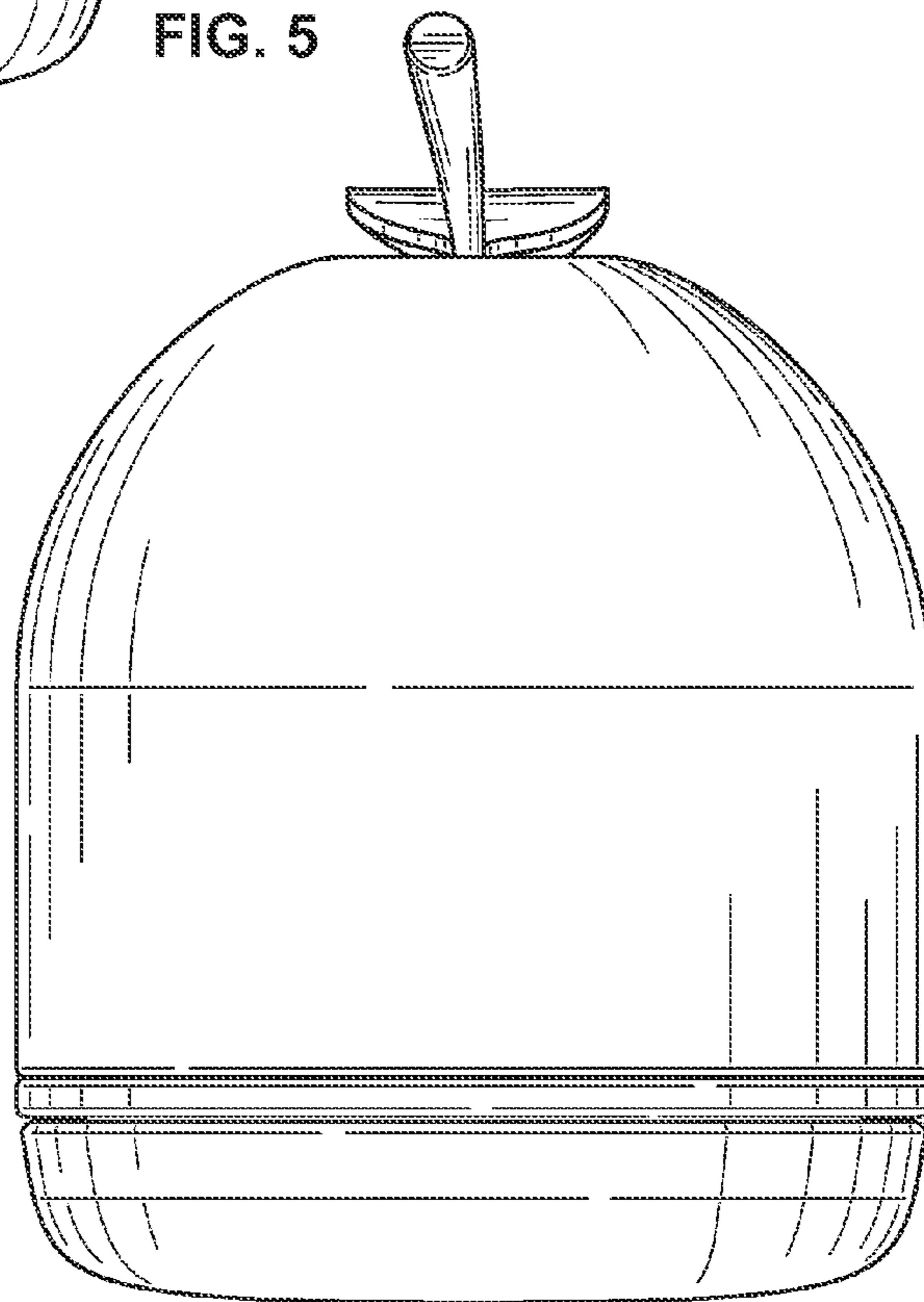


FIG. 6

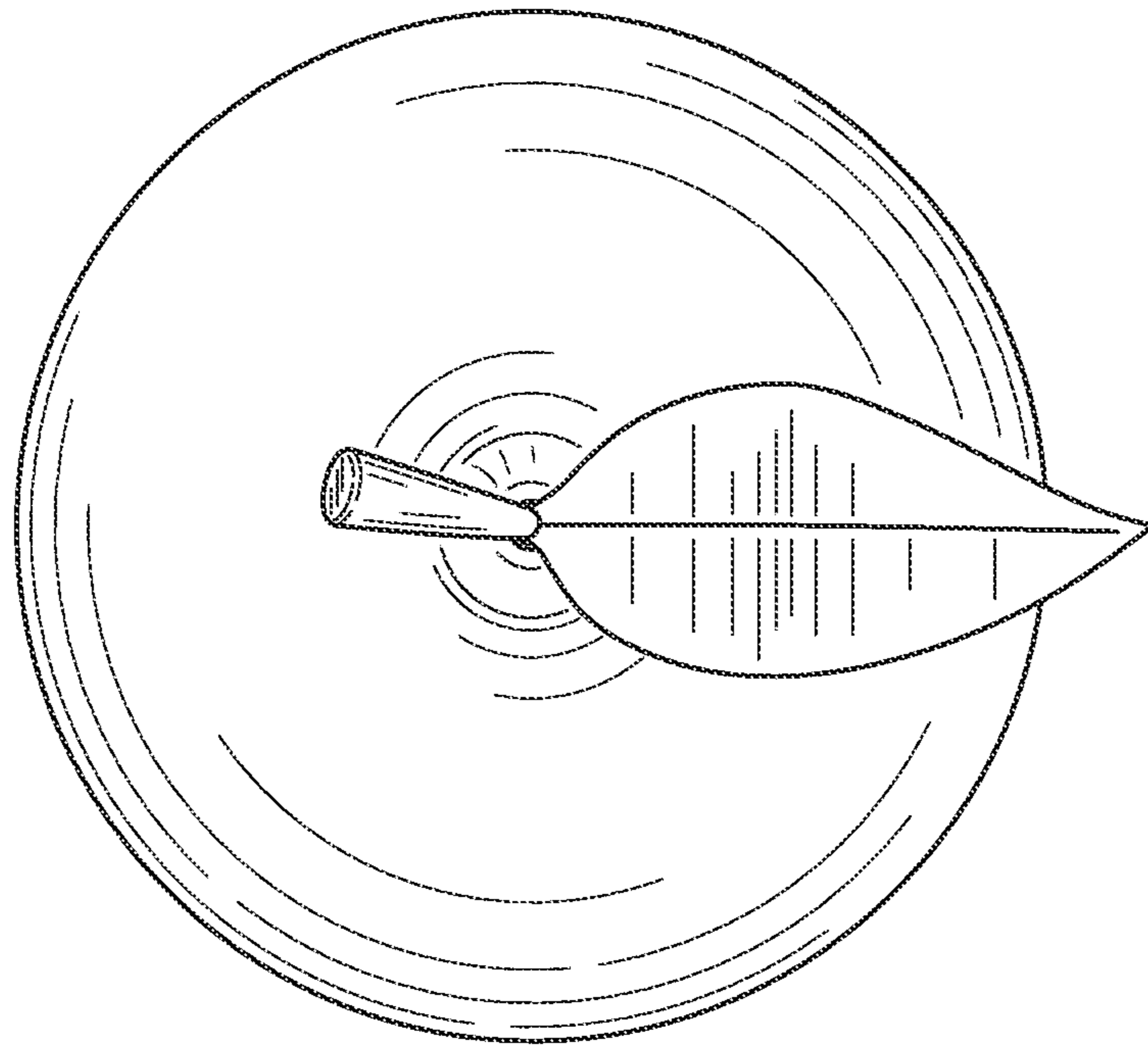


FIG. 7

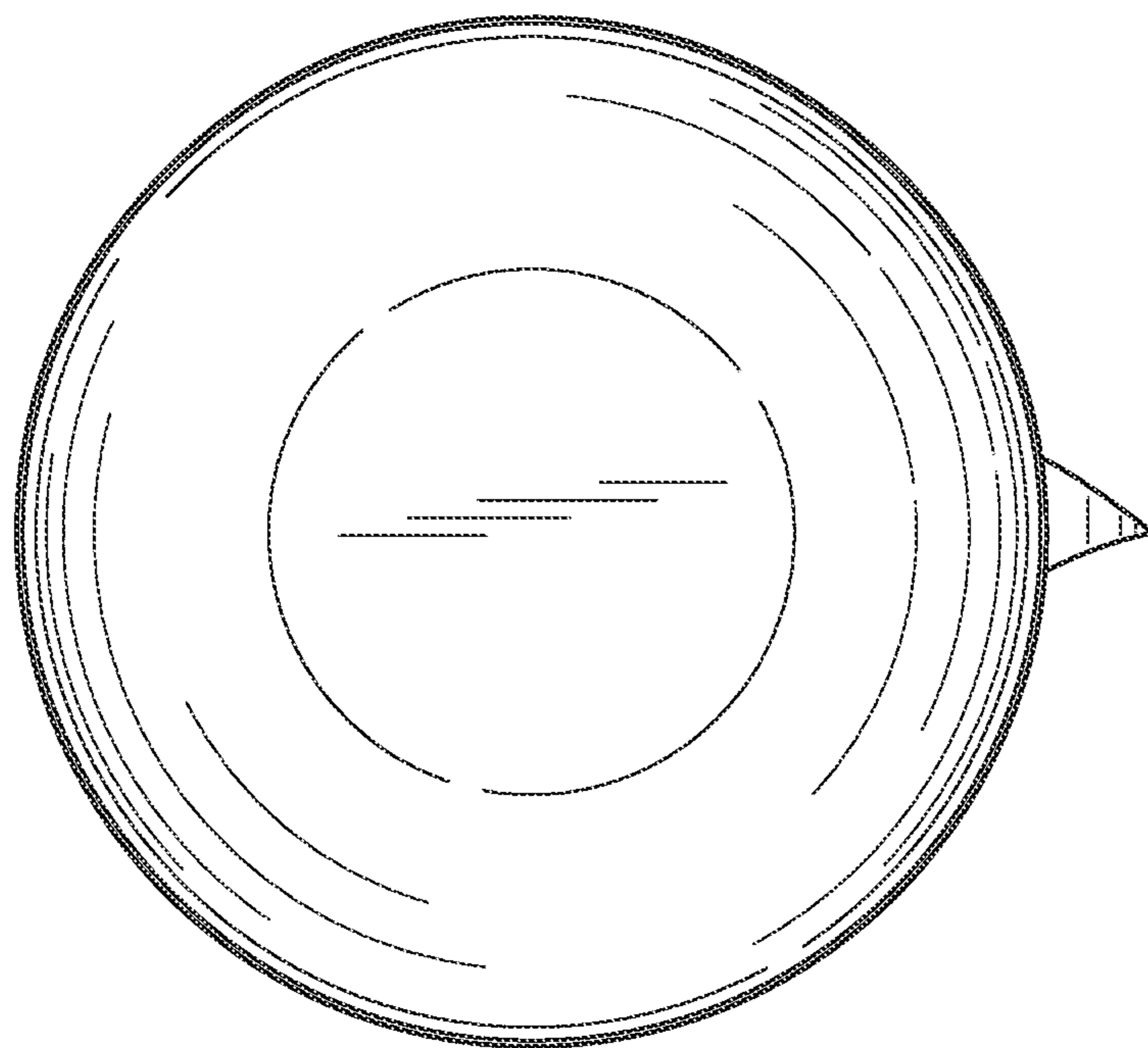


FIG. 8

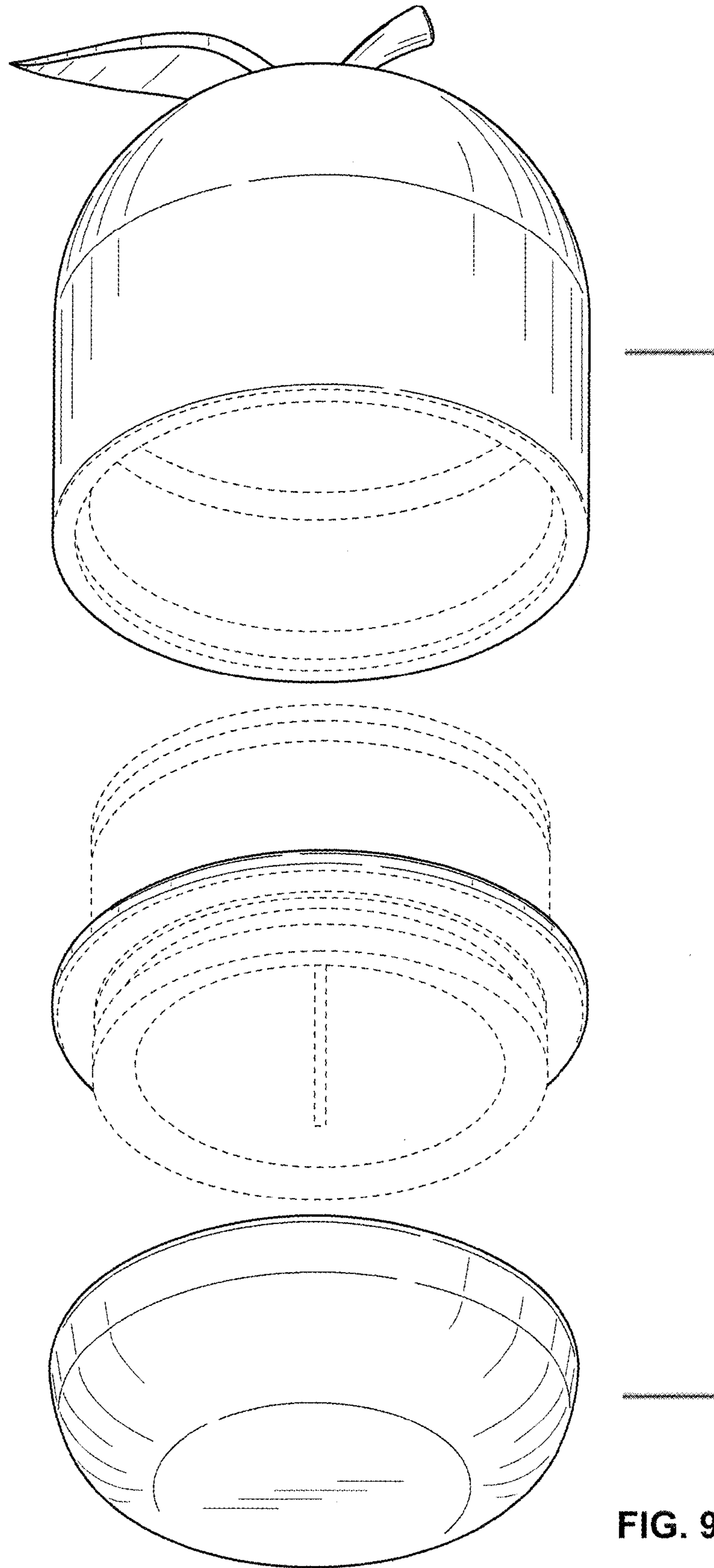


FIG. 9