

US00D766451S

(12) **United States Design Patent** (10) **Patent No.:** **US D766,451 S**  
**Chan** (45) **Date of Patent:** **\*\* Sep. 13, 2016**

(54) **FEEDING BOTTLE**  
(71) Applicant: **FITSON SINGAPORE PTE LTD,**  
Singapore (SG)  
(72) Inventor: **Ching Chan,** Singapore (SG)  
(73) Assignee: **FITSON SINGAPORE PTE LTD,**  
Singapore (SG)

D538,939 S \* 3/2007 Conaway et al. .... D24/197  
D555,795 S \* 11/2007 Mallet ..... D24/197  
D589,153 S \* 3/2009 Rosales ..... D24/197  
D639,968 S \* 6/2011 Pukall et al. .... D24/196  
D644,334 S \* 8/2011 Py ..... D24/197  
D653,547 S \* 2/2012 Canuto ..... D9/519  
D696,410 S \* 12/2013 Tollman ..... D24/197  
2007/0283666 A1 \* 12/2007 Py et al. .... 53/425  
2009/0139949 A1 \* 6/2009 Py et al. .... 215/11.1  
2014/0291272 A1 \* 10/2014 Weil et al. .... 215/11.5

(\*\*) Term: **14 Years**

\* cited by examiner

(21) Appl. No.: **29/506,373**

*Primary Examiner* — Robert M Spear

*Assistant Examiner* — Kendra L Hamilton

(22) Filed: **Oct. 15, 2014**

(74) *Attorney, Agent, or Firm* — Notaro, Michalos & Zaccaria P.C.

(30) **Foreign Application Priority Data**

May 27, 2014 (SG) ..... 2014/671/B

(51) **LOC (10) Cl.** ..... **07-01**

(52) **U.S. Cl.**  
USPC ..... **D24/197**

(58) **Field of Classification Search**  
USPC ..... D24/127, 128, 129, 193, 194, 195, 196,  
D24/197, 198, 199, 207; D9/444, 447, 452,  
D9/516, 608, 668, 719, 761; 220/227, 235,  
220/694, 703, 714, 727, 745; 215/11.1,  
215/11.2, 11.3, 11.4, 11.5, 11.6, 41;  
D7/392, 510, 511; 606/236  
CPC ..... A61J 9/00; A61J 11/001; A61J 11/0035  
See application file for complete search history.

(56) **References Cited**

U.S. PATENT DOCUMENTS

1,280,942 A \* 10/1918 Apple ..... 215/315  
2,514,744 A \* 7/1950 Cipyak ..... 215/11.1

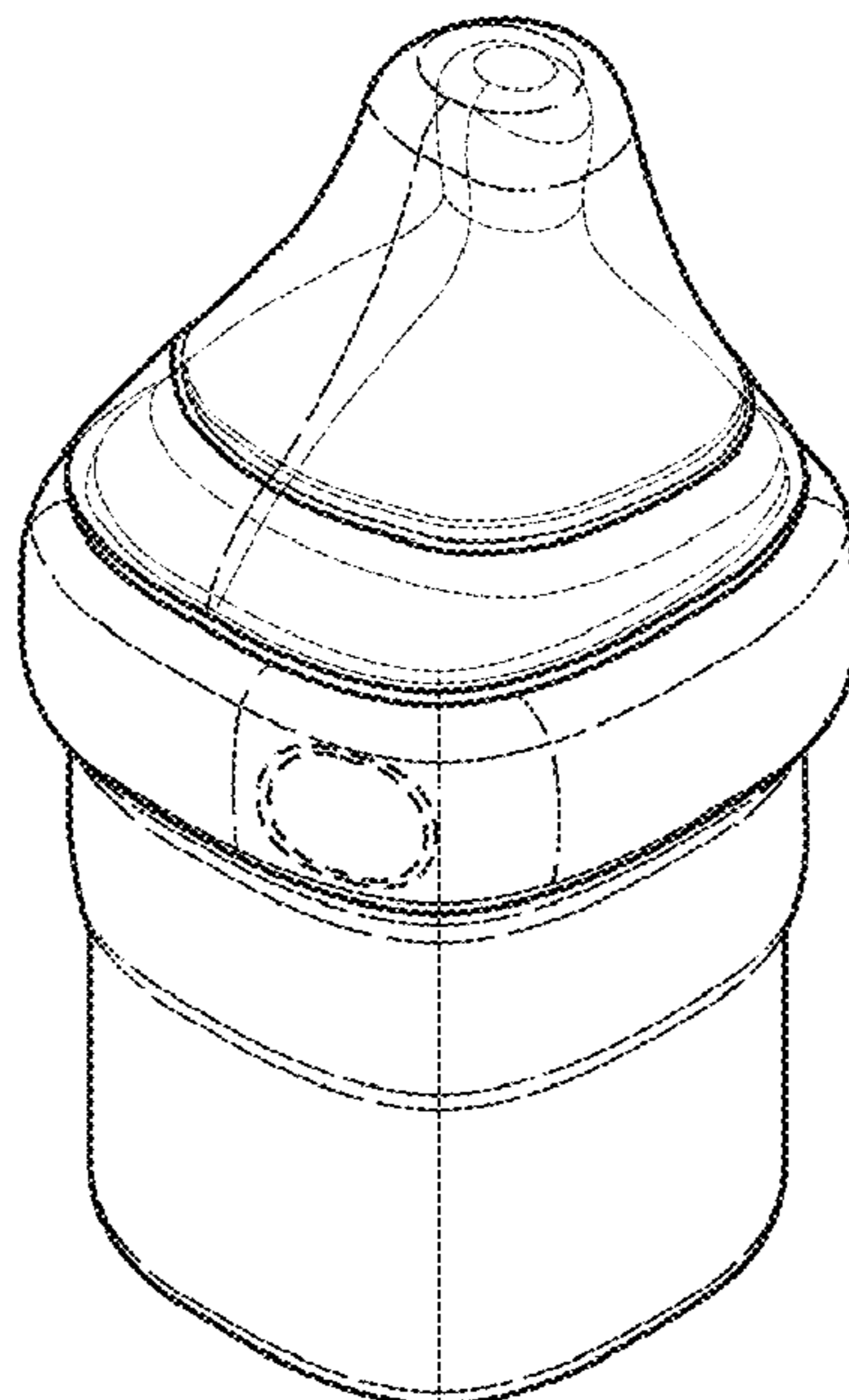
(57) **CLAIM**

The ornamental design for a feeding bottle, as shown and described.

**DESCRIPTION**

FIG. 1 is a front elevational view of a feeding bottle of my new design therefor;  
FIG. 2 is a rear elevational view thereof;  
FIG. 3 is a top plan view thereof;  
FIG. 4 is a bottom plan view thereof;  
FIG. 5 is a side elevational view, the opposite side being a mirror image thereof;  
FIG. 6 is a top, rear, left perspective view thereof; and,  
FIG. 7 is a top, front, right perspective view thereof.  
The broken lines in the drawings represent unclaimed environmental subject matter and form no part of the claim.

**1 Claim, 4 Drawing Sheets**



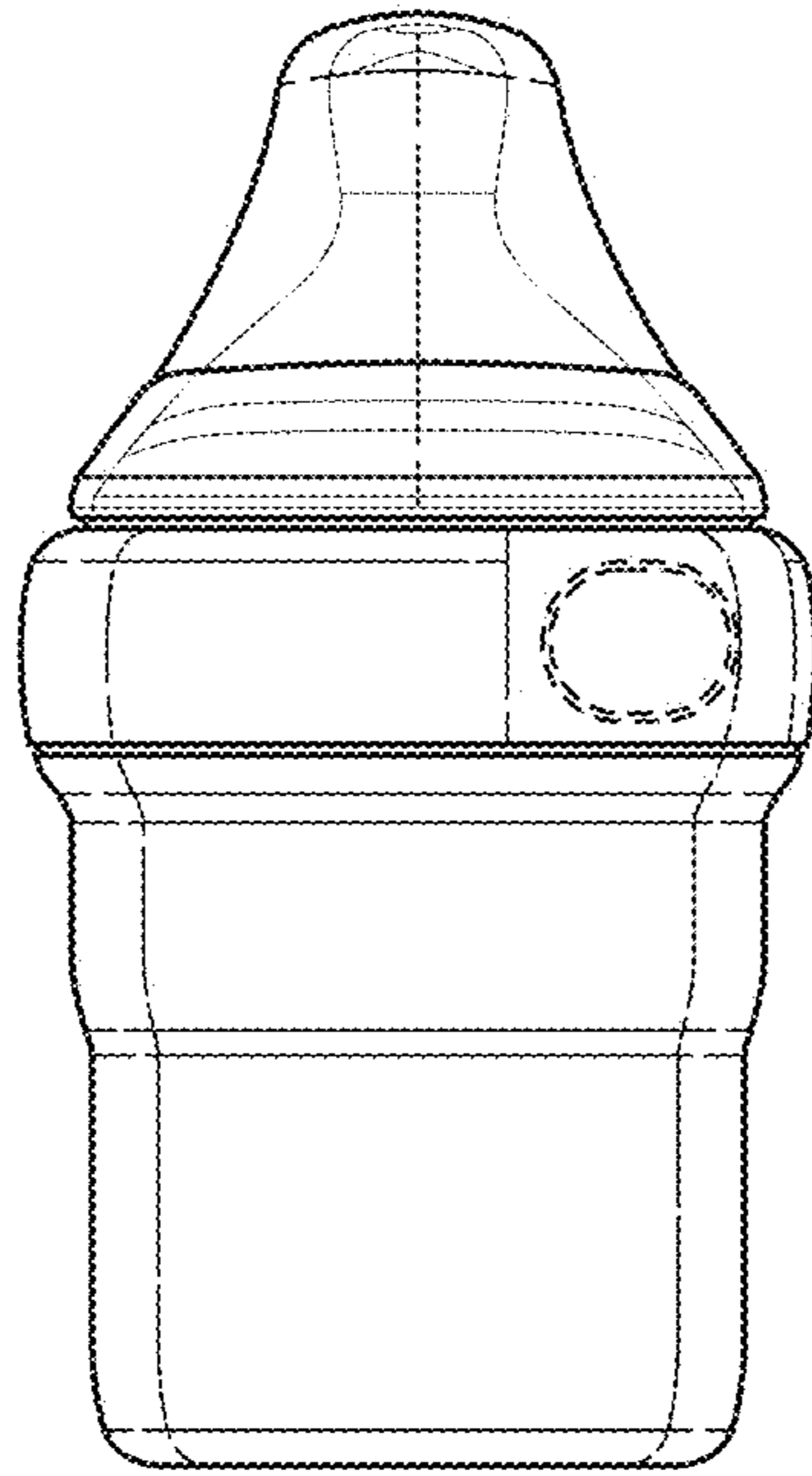


FIG. 1

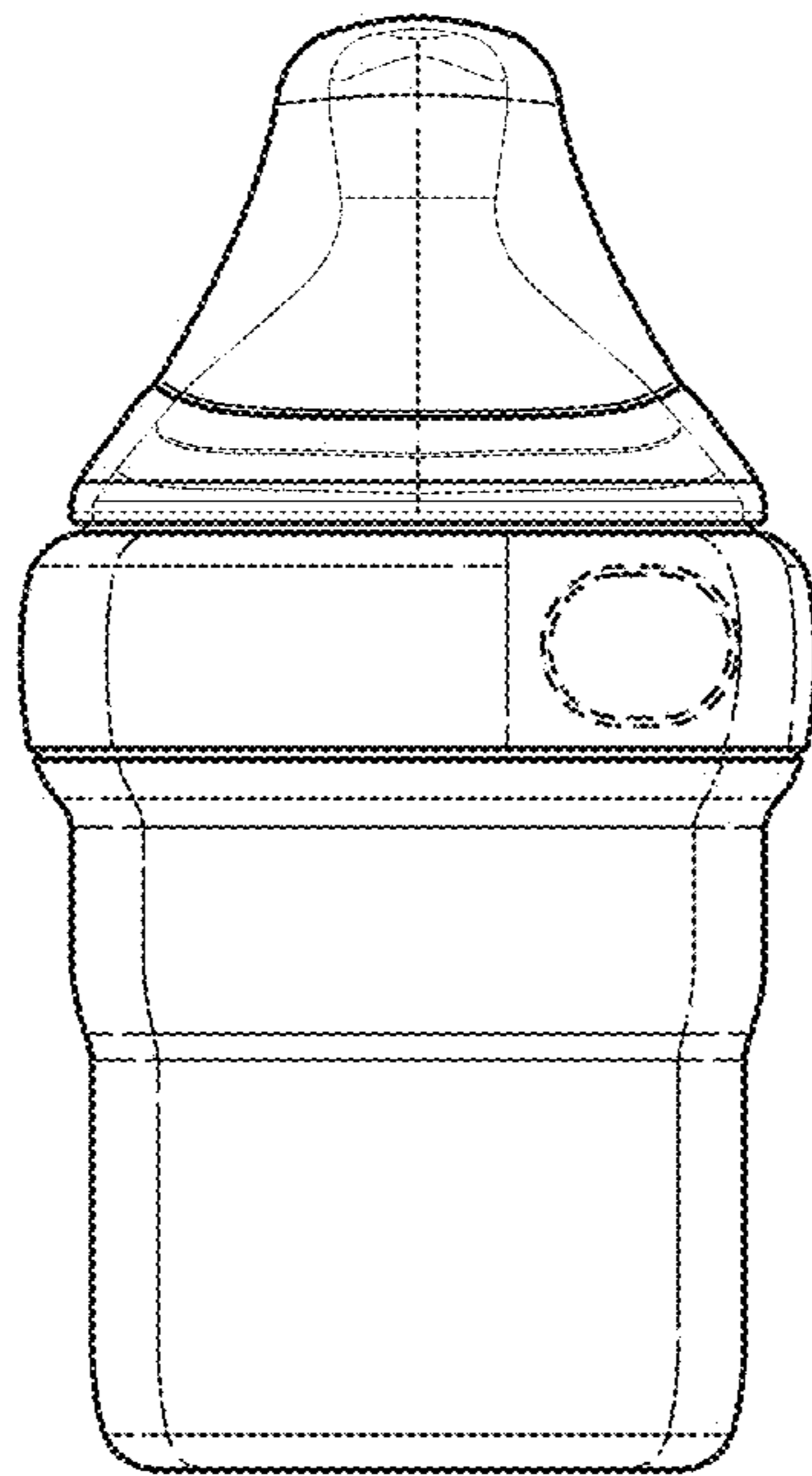


FIG. 2

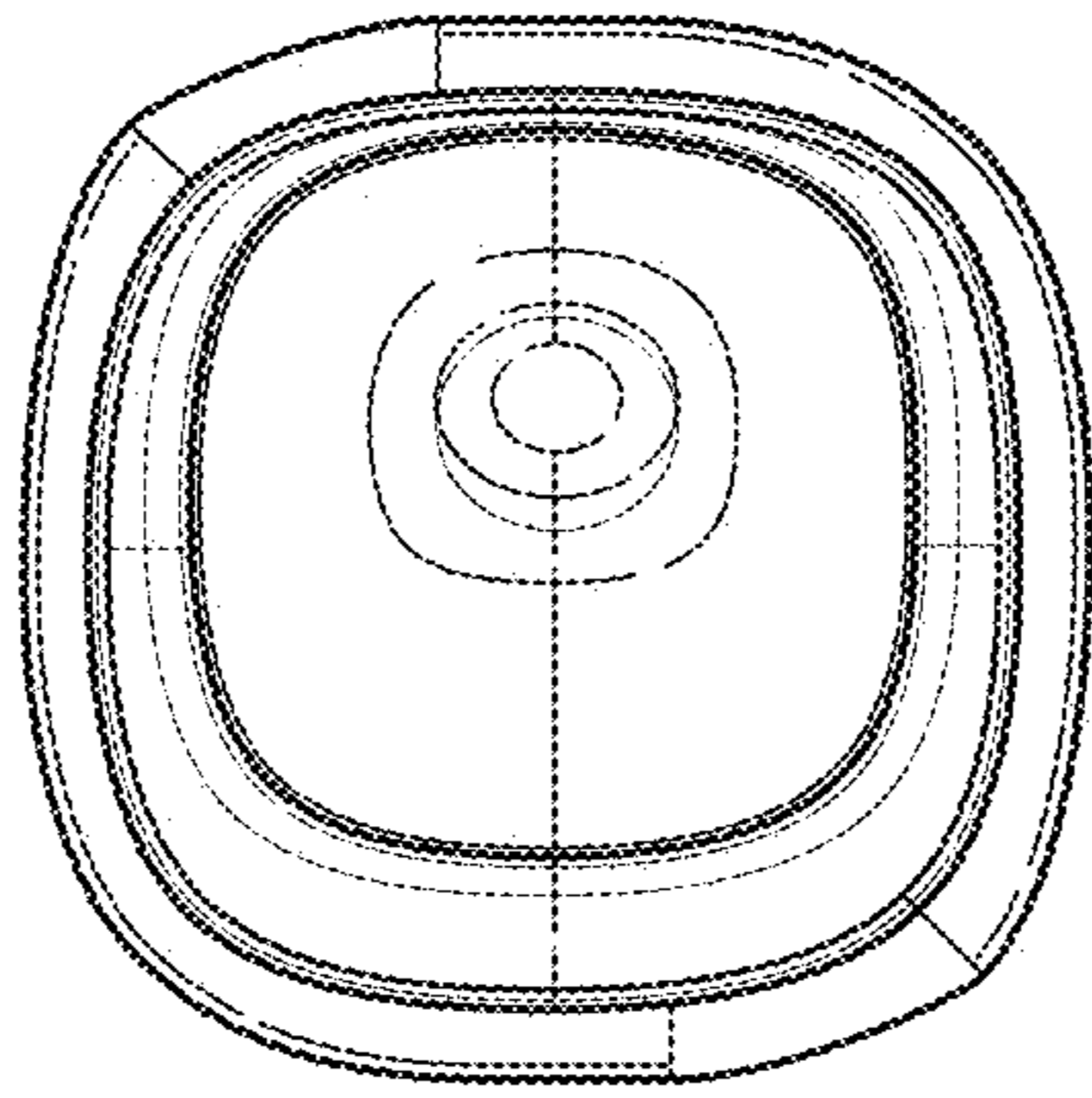


FIG. 3

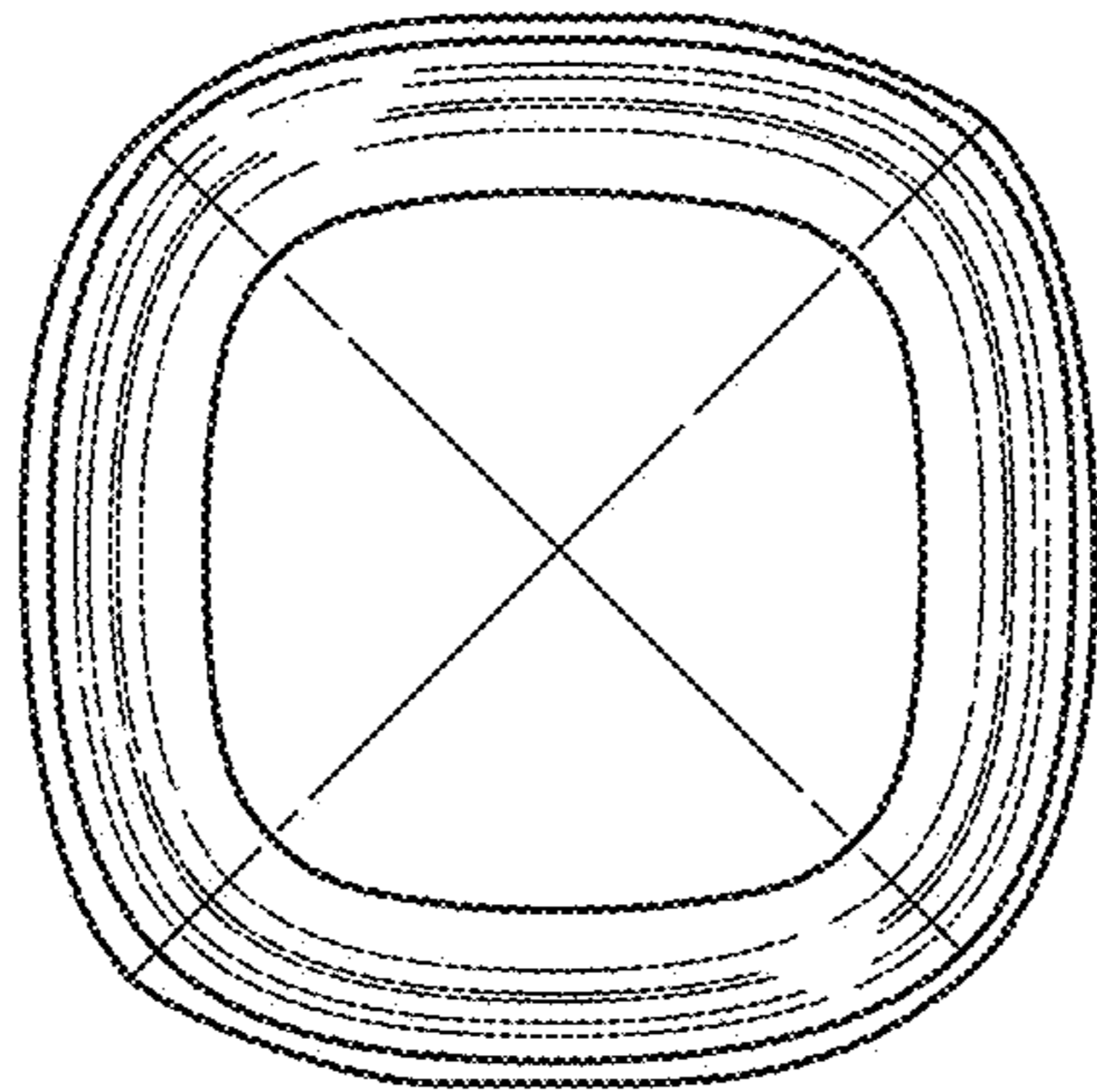


FIG. 4

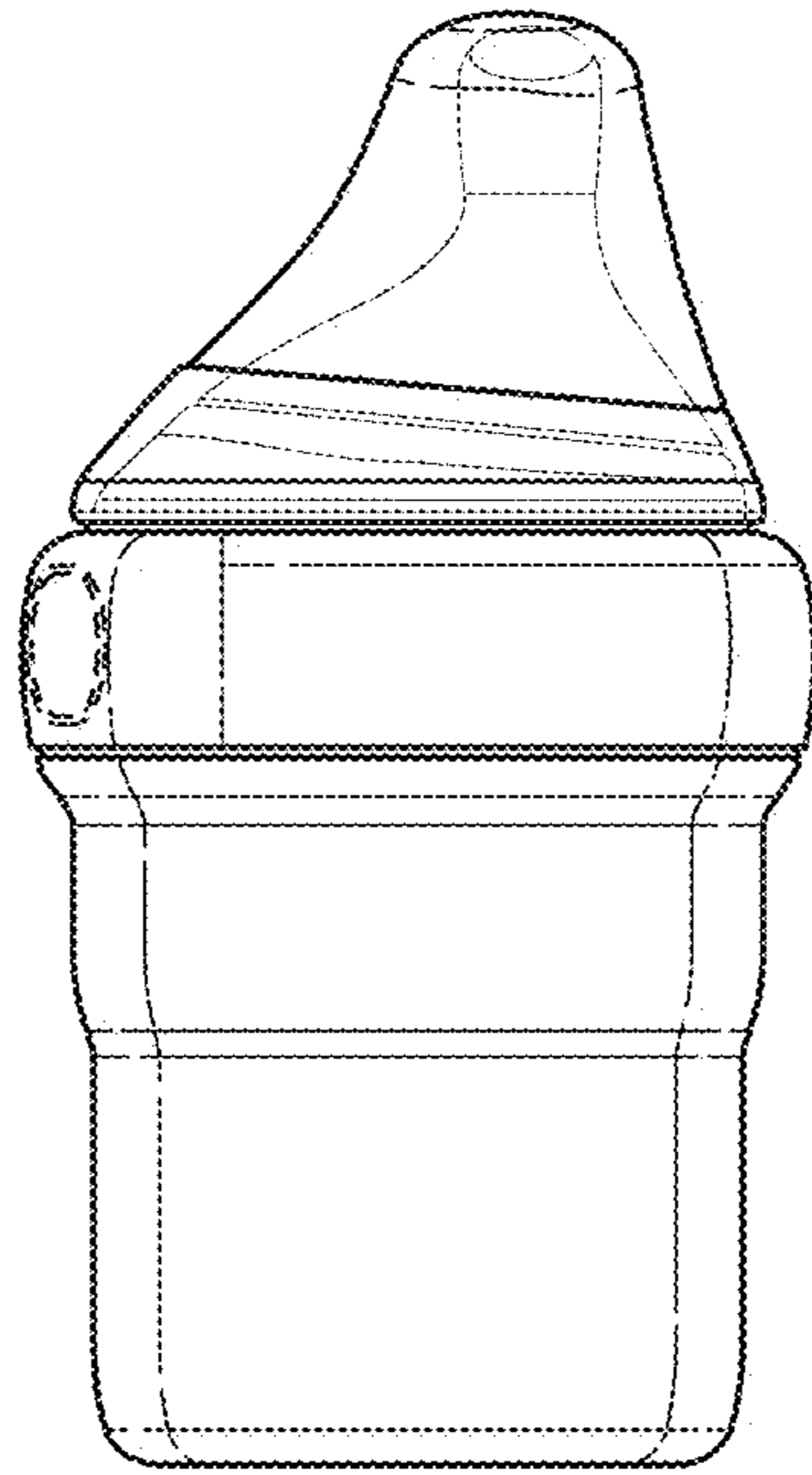


FIG. 5

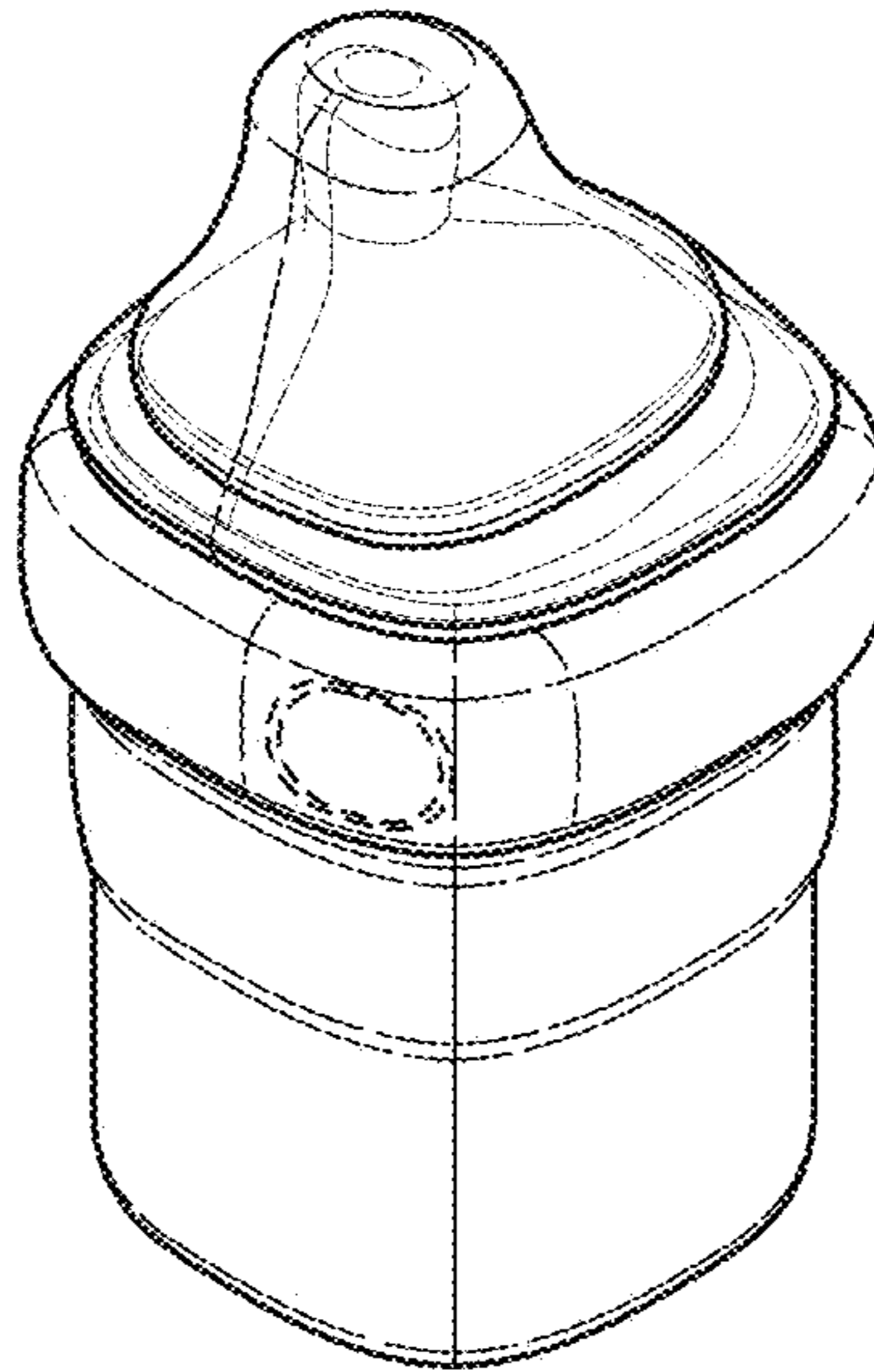


FIG. 6

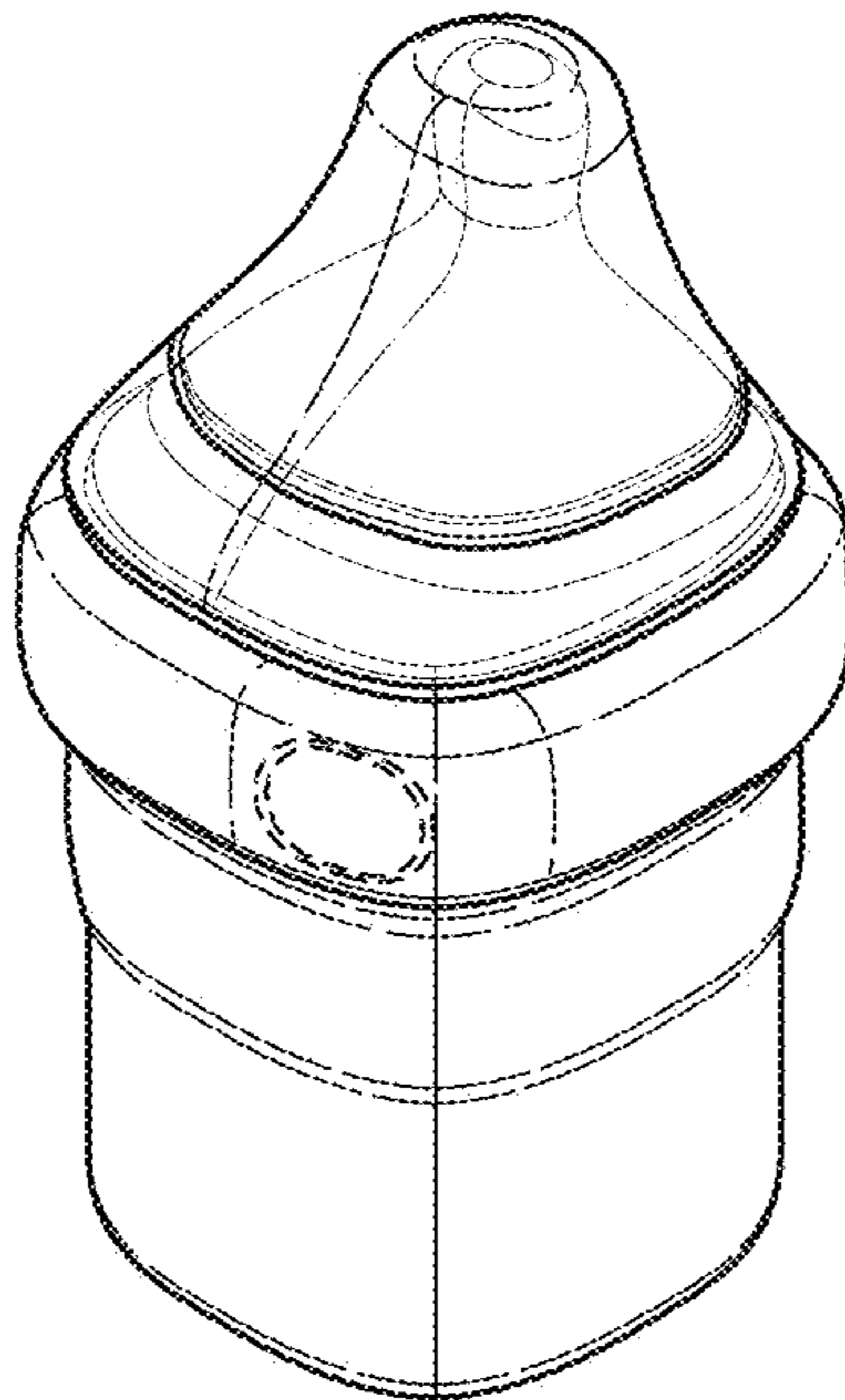


FIG. 7