



US00D766449S

(12) **United States Design Patent**  
**Cappa**

(10) **Patent No.:** **US D766,449 S**

(45) **Date of Patent:** **\*\* Sep. 13, 2016**

(54) **CHEST BRACE**

(71) Applicant: **Anthony J. Cappa**, Commack, NY  
(US)

(72) Inventor: **Anthony J. Cappa**, Commack, NY  
(US)

(\*\*) Term: **14 Years**

(21) Appl. No.: **29/498,267**

(22) Filed: **Aug. 1, 2014**

(51) **LOC (10) Cl.** ..... **24-04**

(52) **U.S. Cl.**  
USPC ..... **D24/190**

(58) **Field of Classification Search**  
USPC ..... D24/190; D29/100-101.3  
CPC ..... A61F 5/028; A61F 5/026; A61F 5/024;  
A61F 2250/001; A61F 5/022; A61F 5/055;  
A41D 13/0531; A41D 13/0153; A41D  
13/0525; A41D 2600/102  
See application file for complete search history.

(56) **References Cited**

**U.S. PATENT DOCUMENTS**

5,121,741	A *	6/1992	Bremer	.....	A61H 1/0218 128/874
6,500,137	B1 *	12/2002	Molino	.....	A61F 5/022 128/96.1
D651,717	S *	1/2012	Govreen-Segal	.....	D24/190
D699,364	S *	2/2014	Chiang	.....	D24/190
8,795,215	B2 *	8/2014	Rossi	.....	A61F 5/026 602/19
2008/0262401	A1 *	10/2008	Wagner	.....	A61F 5/024 602/19

2009/0156972	A1 *	6/2009	Cavalieri	.....	A61F 5/028 602/19
2011/0105971	A1 *	5/2011	Ingimundarson	.....	A61F 5/024 602/19
2011/0144551	A1 *	6/2011	Johnson	.....	A61F 5/028 602/19
2012/0227165	A1 *	9/2012	Roblin	.....	A41D 13/05 2/463
2013/0283492	A1 *	10/2013	Ernst, Jr.	.....	A45F 3/04 2/44
2014/0309570	A1 *	10/2014	Fuller	.....	A61F 5/02 602/19

\* cited by examiner

*Primary Examiner* — George D Kirschbaum

*Assistant Examiner* — Jennifer Watkins

(74) *Attorney, Agent, or Firm* — Collard & Roe, P.C.

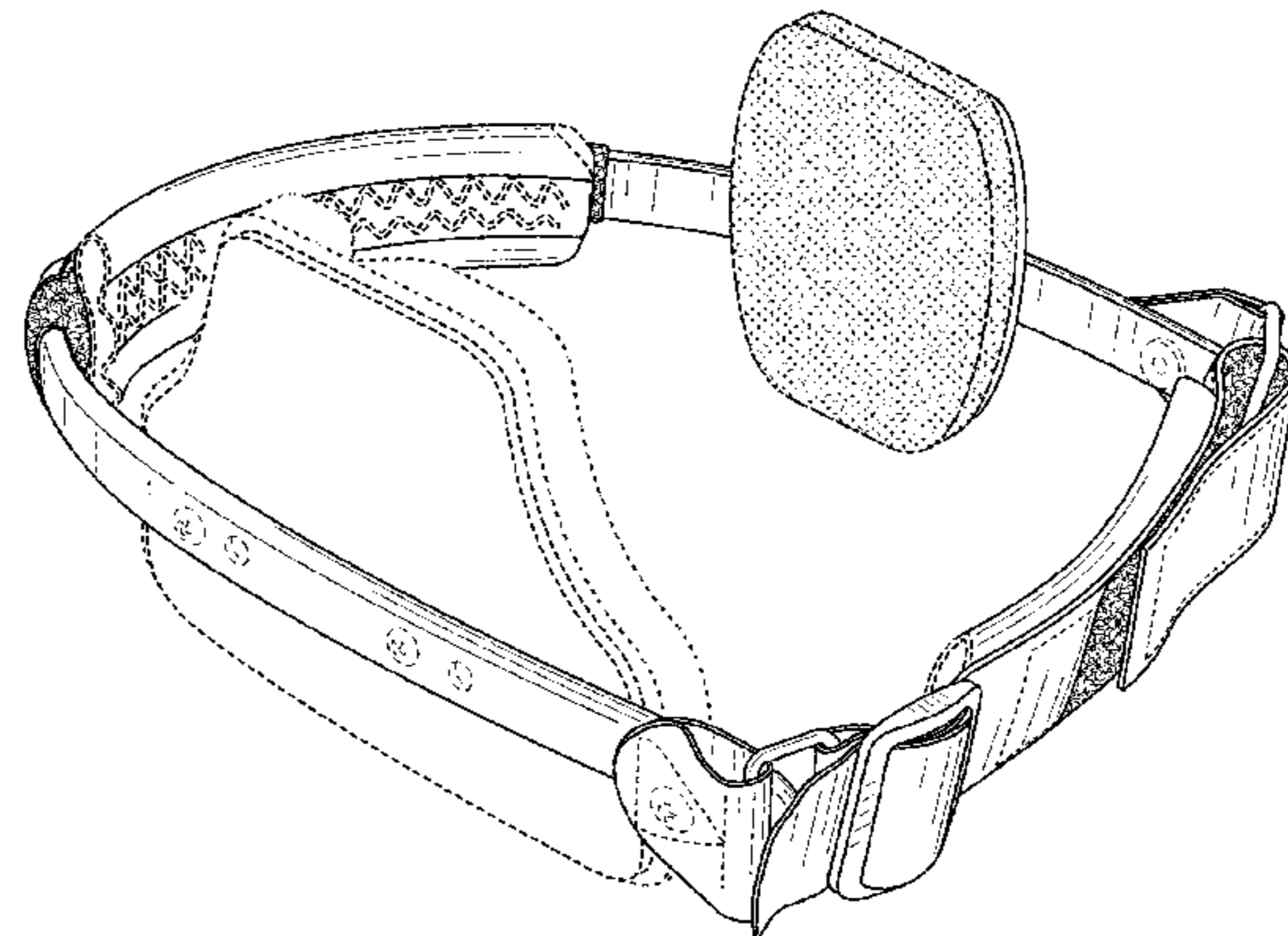
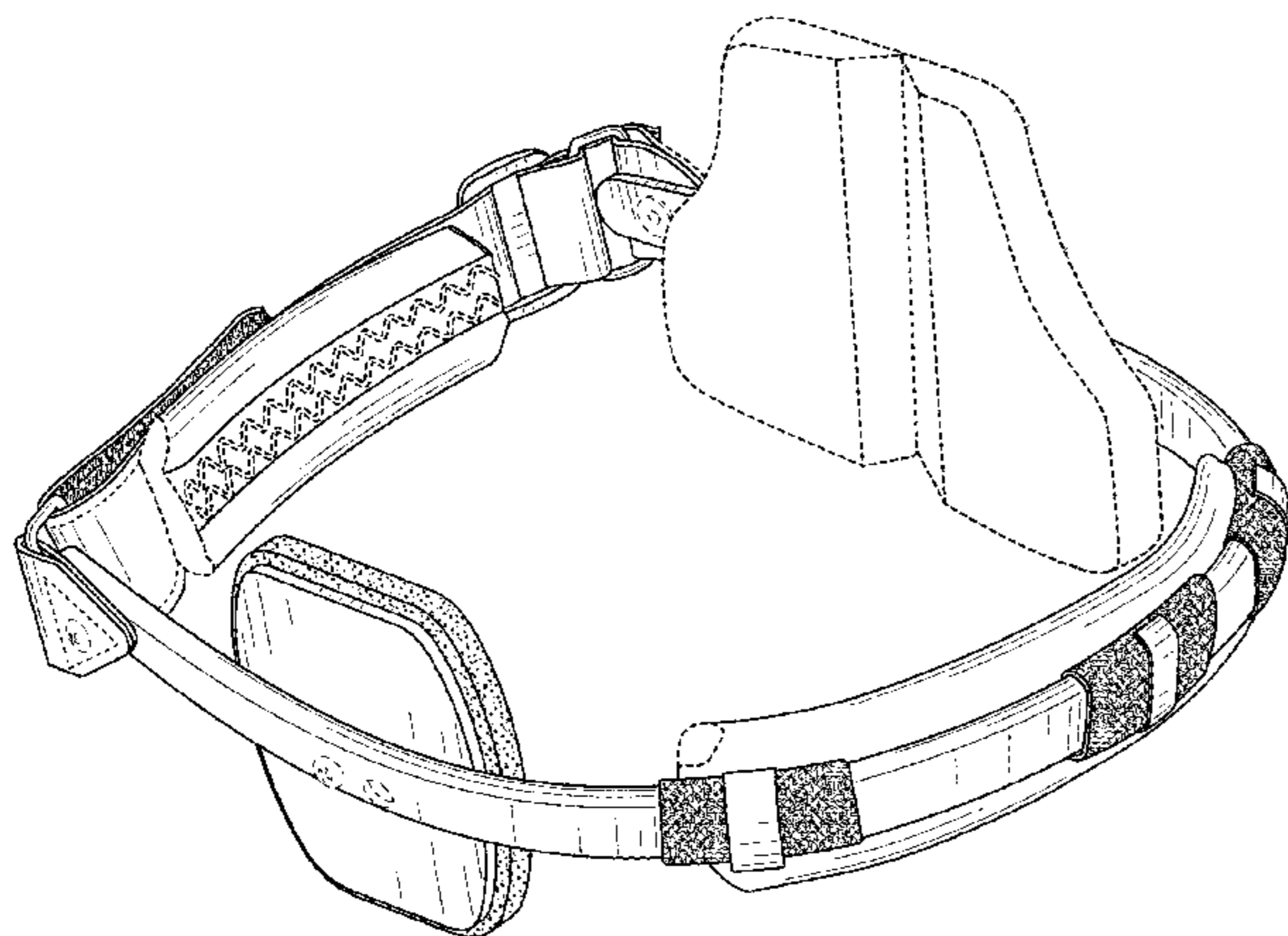
(57) **CLAIM**

The ornamental design for a chest brace, as shown and described.

**DESCRIPTION**

FIG. 1 is a left side, front and top perspective view of a chest brace showing my new design;  
FIG. 2 is a back, top and right side perspective view thereof;  
FIG. 3 is a front view thereof;  
FIG. 4 is a back view thereof;  
FIG. 5 is a left view thereof;  
FIG. 6 is a right view thereof;  
FIG. 7 is a top view thereof; and,  
FIG. 8 is a bottom view thereof.  
The broken lines in the drawings and the unshaded areas within the broken lines are for the purpose of illustrating portions of the chest brace that form no part of the claim.

**1 Claim, 8 Drawing Sheets**



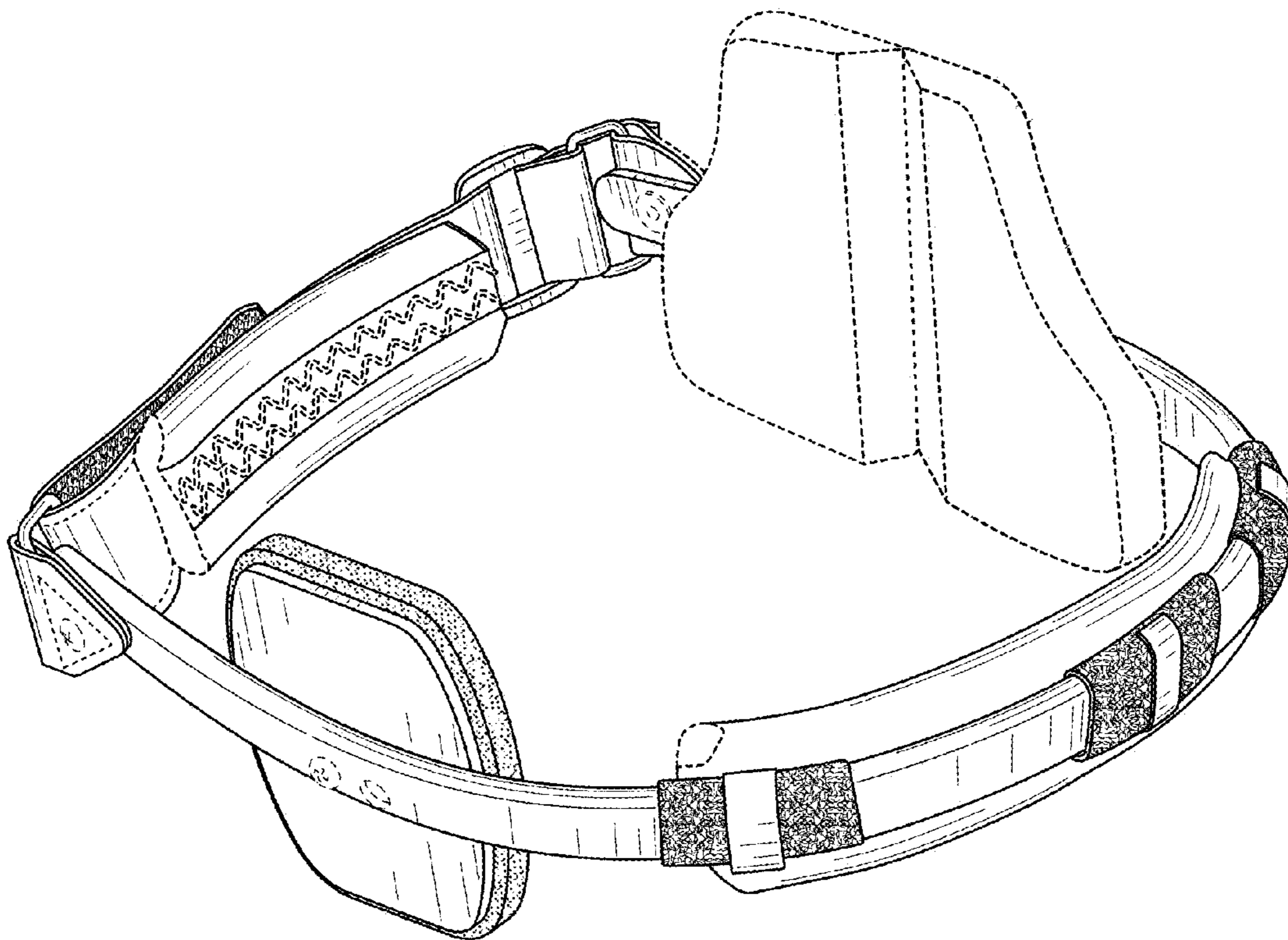


FIG. 1

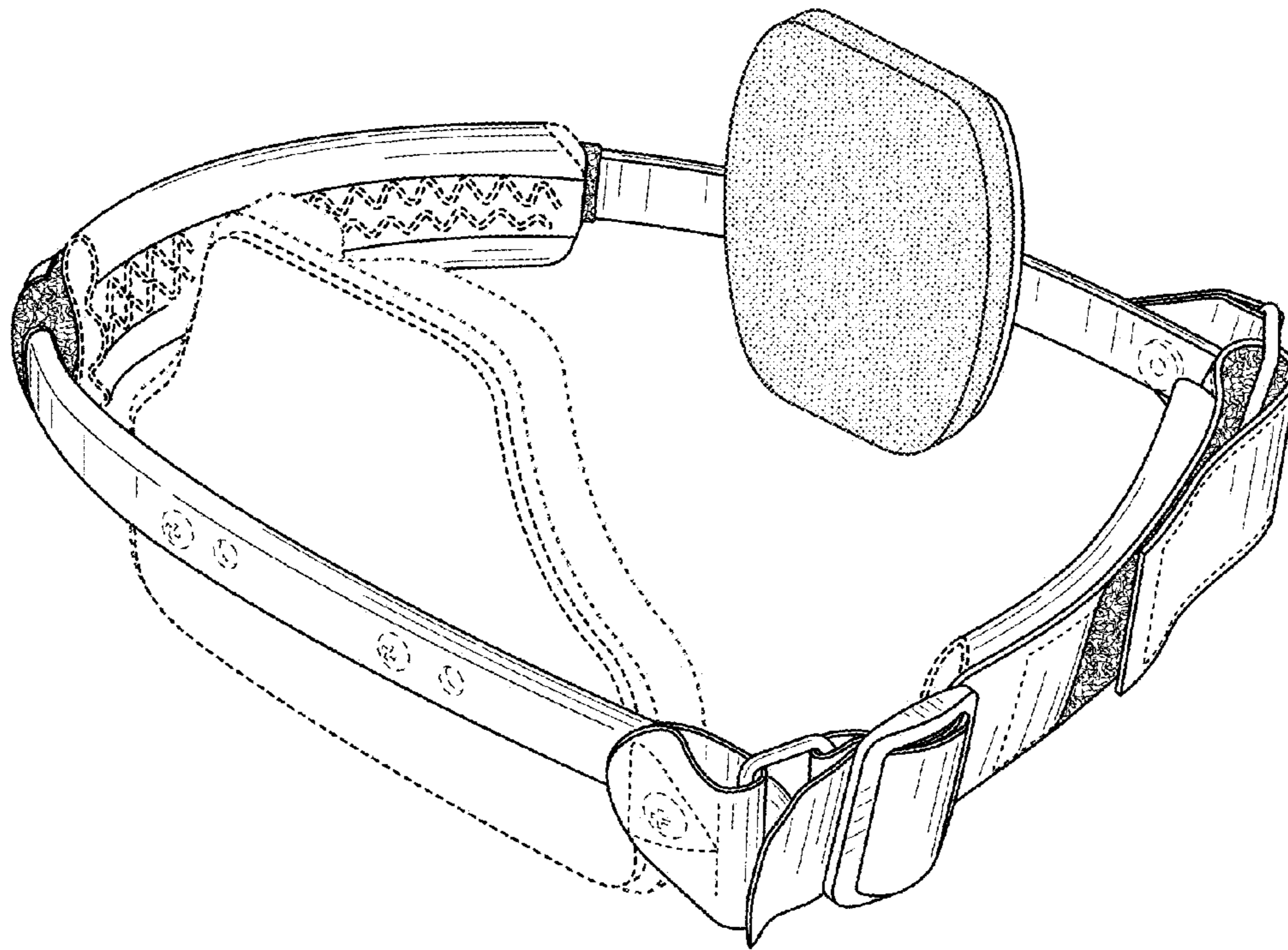


FIG. 2

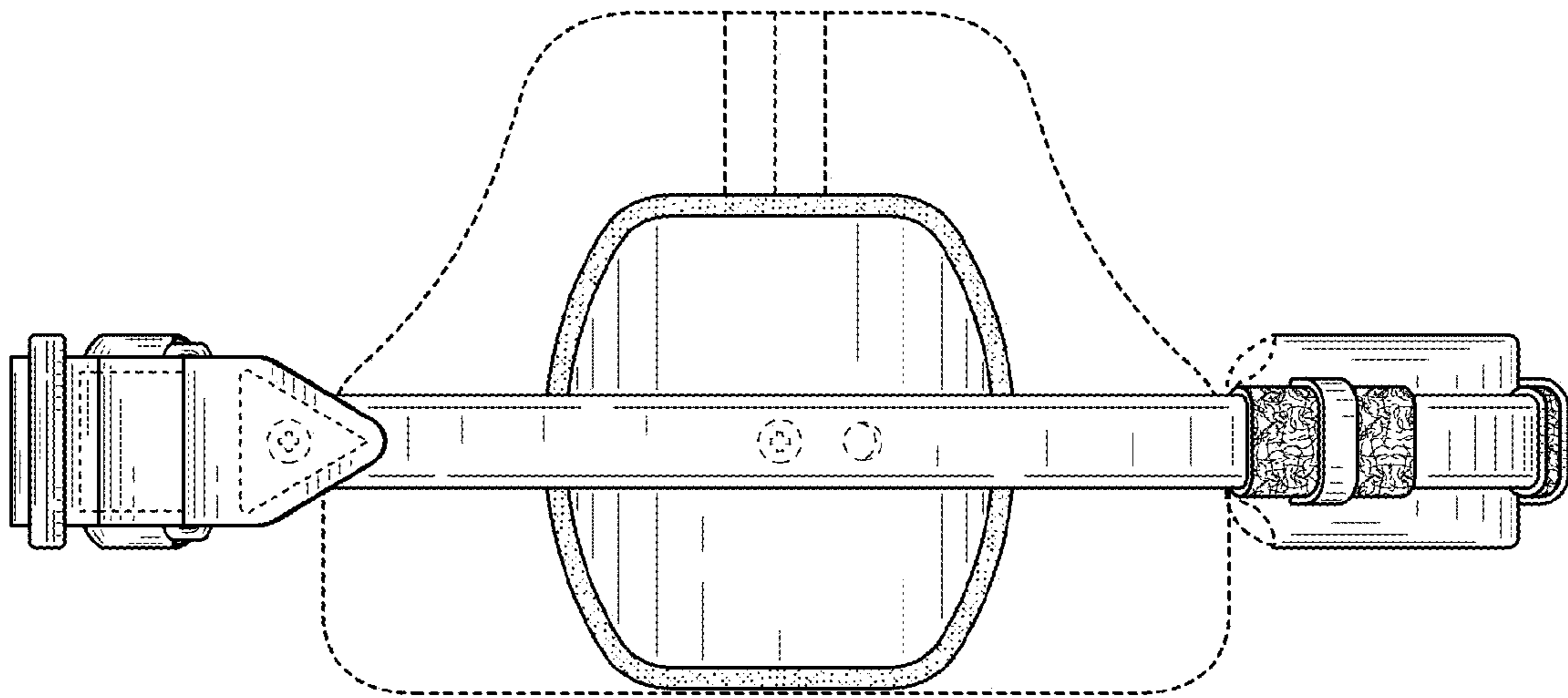


FIG. 3

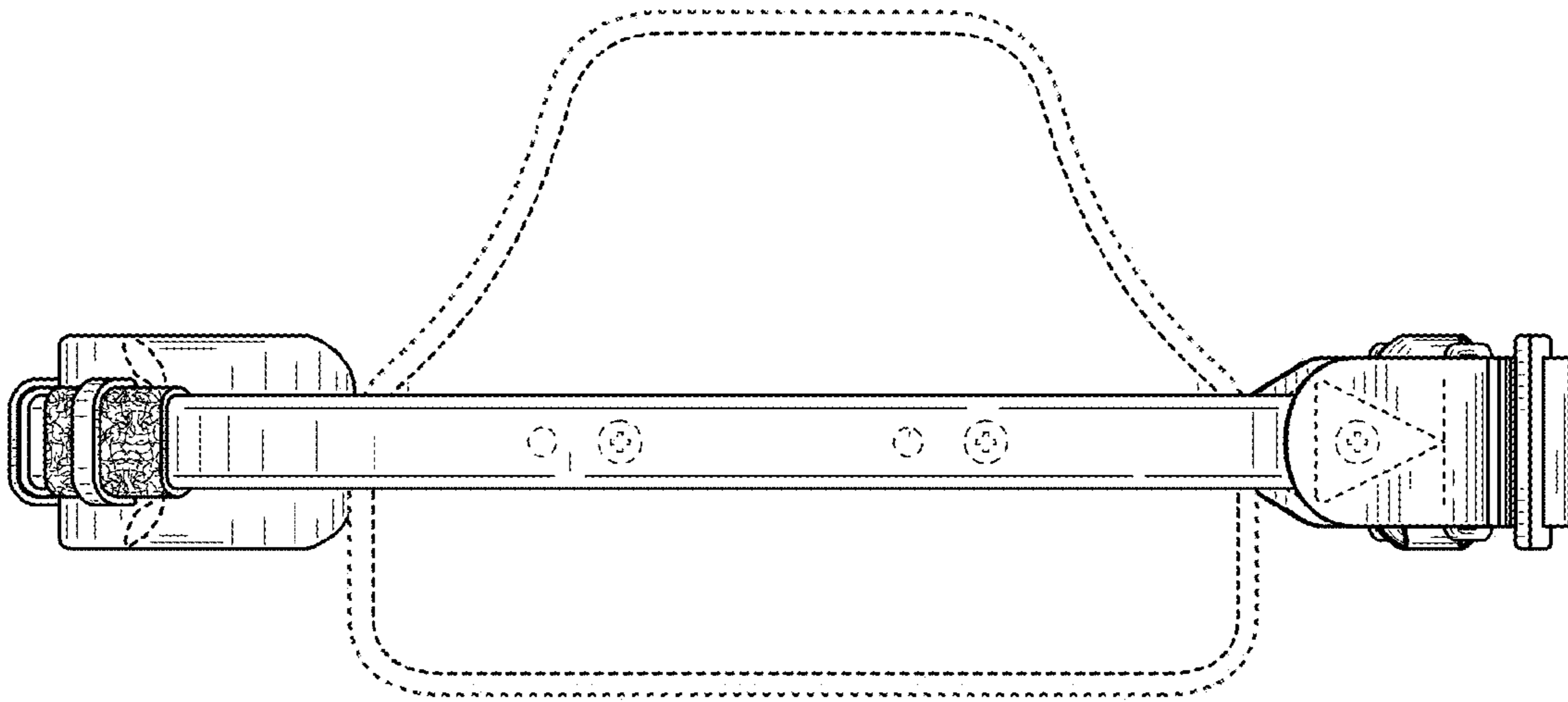


FIG. 4

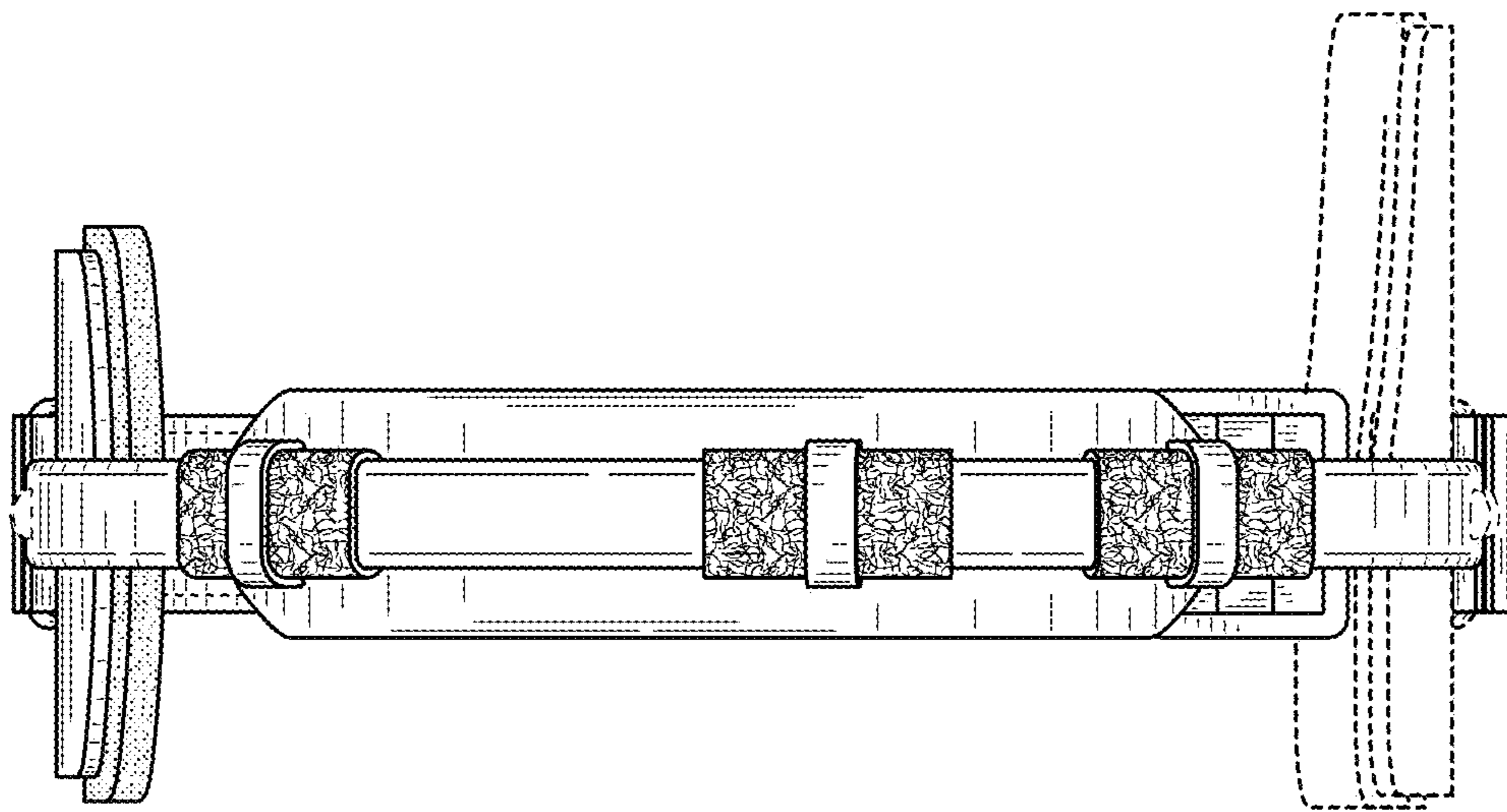


FIG. 5

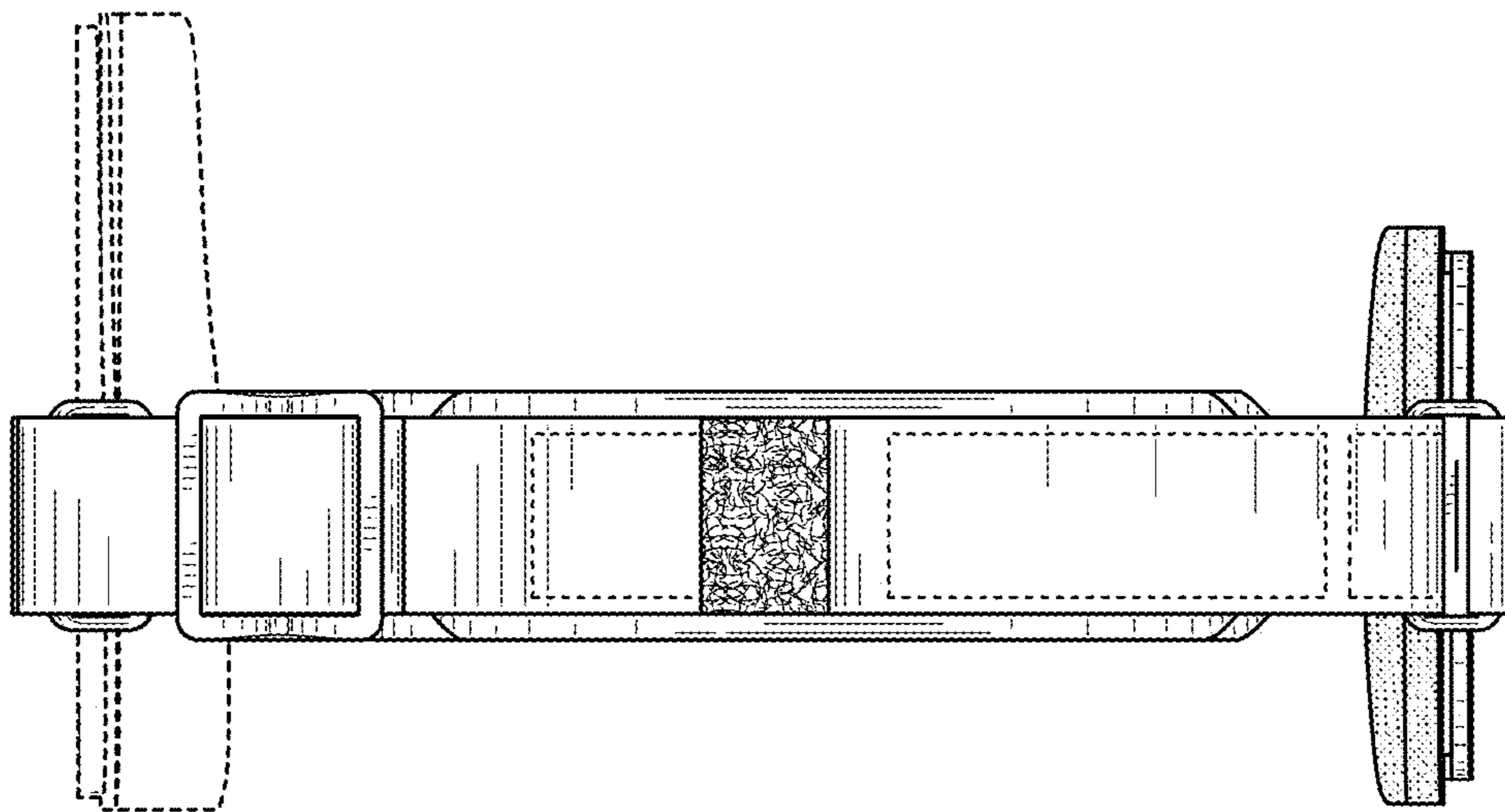


FIG. 6

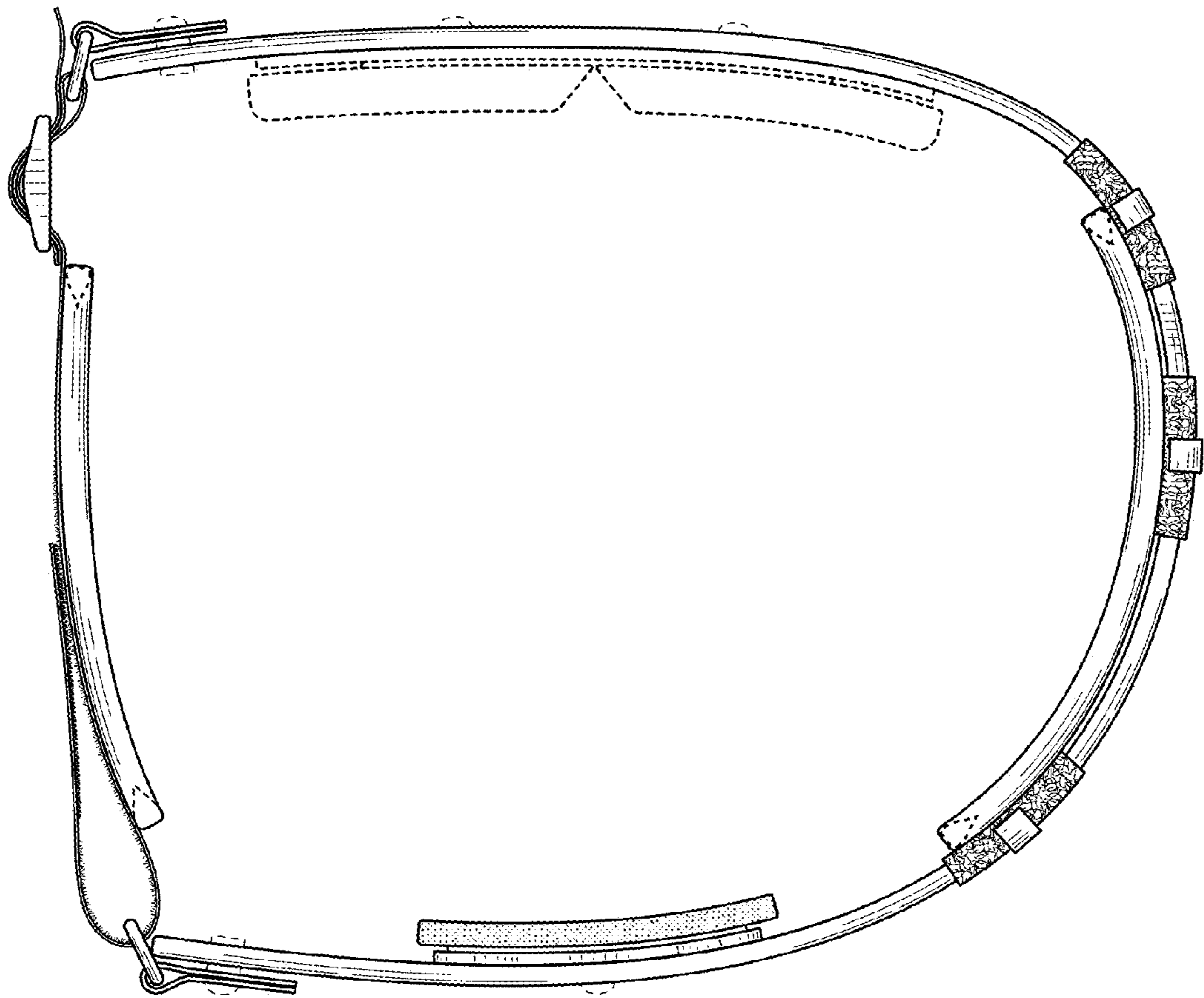


FIG. 7



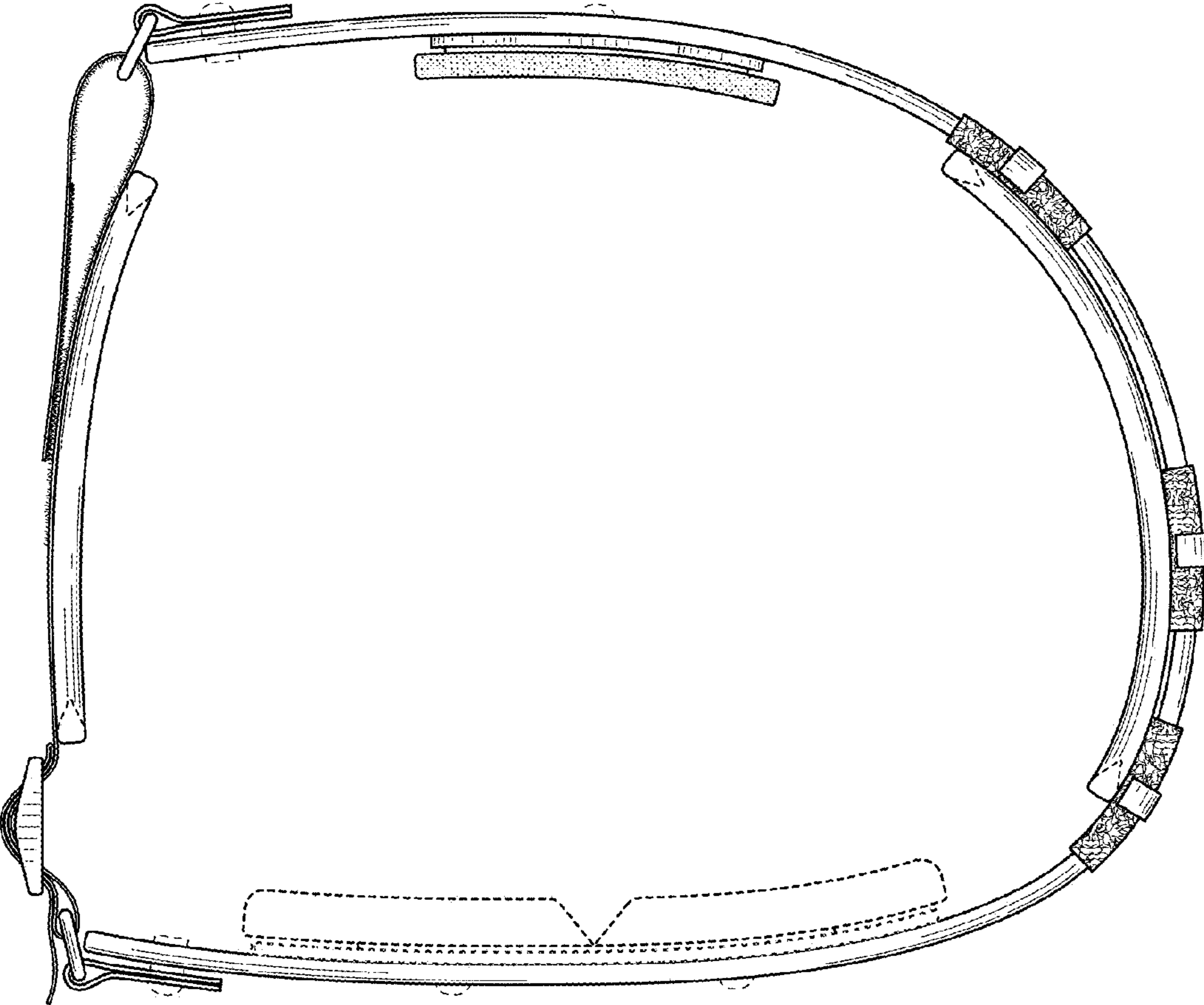


FIG. 8