

US00D766445S

(12) **United States Design Patent**
Brown

(10) **Patent No.:** **US D766,445 S**

(45) **Date of Patent:** **** Sep. 13, 2016**

- (54) **TOFFLEMIRE MATRIX BAND**
- (71) Applicant: **Dennis E. Brown**, Cincinnati, OH (US)
- (72) Inventor: **Dennis E. Brown**, Cincinnati, OH (US)
- (73) Assignee: **Dennis E. Brown, DDS, Inc.**,
Cincinnati, OH (US)
- (**) Term: **15 Years**
- (21) Appl. No.: **29/546,748**
- (22) Filed: **Nov. 25, 2015**
- (51) **LOC (10) Cl.** **24-02**
- (52) **U.S. Cl.**
USPC **D24/181**
- (58) **Field of Classification Search**
USPC D24/180-182, 188-189, 107, 152,
D24/154-156; D2/602, 609; D8/90;
D21/437, 482; 2/129; 473/590
CPC A61C 5/125; A61C 5/00; A61C 5/12;
A61C 13/0025; A63B 65/08; A41B 3/00;
A41B 3/14; A41B 3/16
See application file for complete search history.

(56) **References Cited**

U.S. PATENT DOCUMENTS

- 1,547,558 A * 7/1925 Browne A63B 65/08
473/590
- 2,591,744 A * 4/1952 Tofflemire A61C 5/125
433/39
- 2,771,675 A * 11/1956 Willis A61C 13/0025
433/168.1

- D218,097 S * 7/1970 Dimmer D24/154
- 3,842,505 A * 10/1974 Eames A61C 5/125
433/39
- D323,398 S * 1/1992 Simmons D21/437
- 5,330,353 A * 7/1994 Wavrin A61C 5/125
433/226
- 5,586,883 A * 12/1996 Nakisher A61C 5/125
433/39
- 6,749,429 B1 * 6/2004 Haraden A61C 5/125
433/39
- 9,192,452 B2 * 11/2015 Fatiny A61C 5/125
- 2005/0221255 A1 * 10/2005 Haraden A61C 5/125
433/39
- 2010/0248183 A1 * 9/2010 Tudek A61C 13/0025
433/168.1
- 2011/0070555 A1 * 3/2011 Anderson A61C 5/125
433/39

* cited by examiner

Primary Examiner — Wan Laymon

(74) *Attorney, Agent, or Firm* — Neal O. Willmann

(57) **CLAIM**

The ornamental design for a tofflemire matrix band, as shown and described.

DESCRIPTION

FIG. 1 is a top plan view of my new design for a tofflemire matrix band, the bottom plan view being identical;
 FIG. 2 is a front elevation view thereof;
 FIG. 3 is an elevated side view of FIG. 1, both sides being identical;
 FIG. 4 is a rear elevation view thereof; and,
 FIG. 5 is a perspective view thereof.

1 Claim, 1 Drawing Sheet

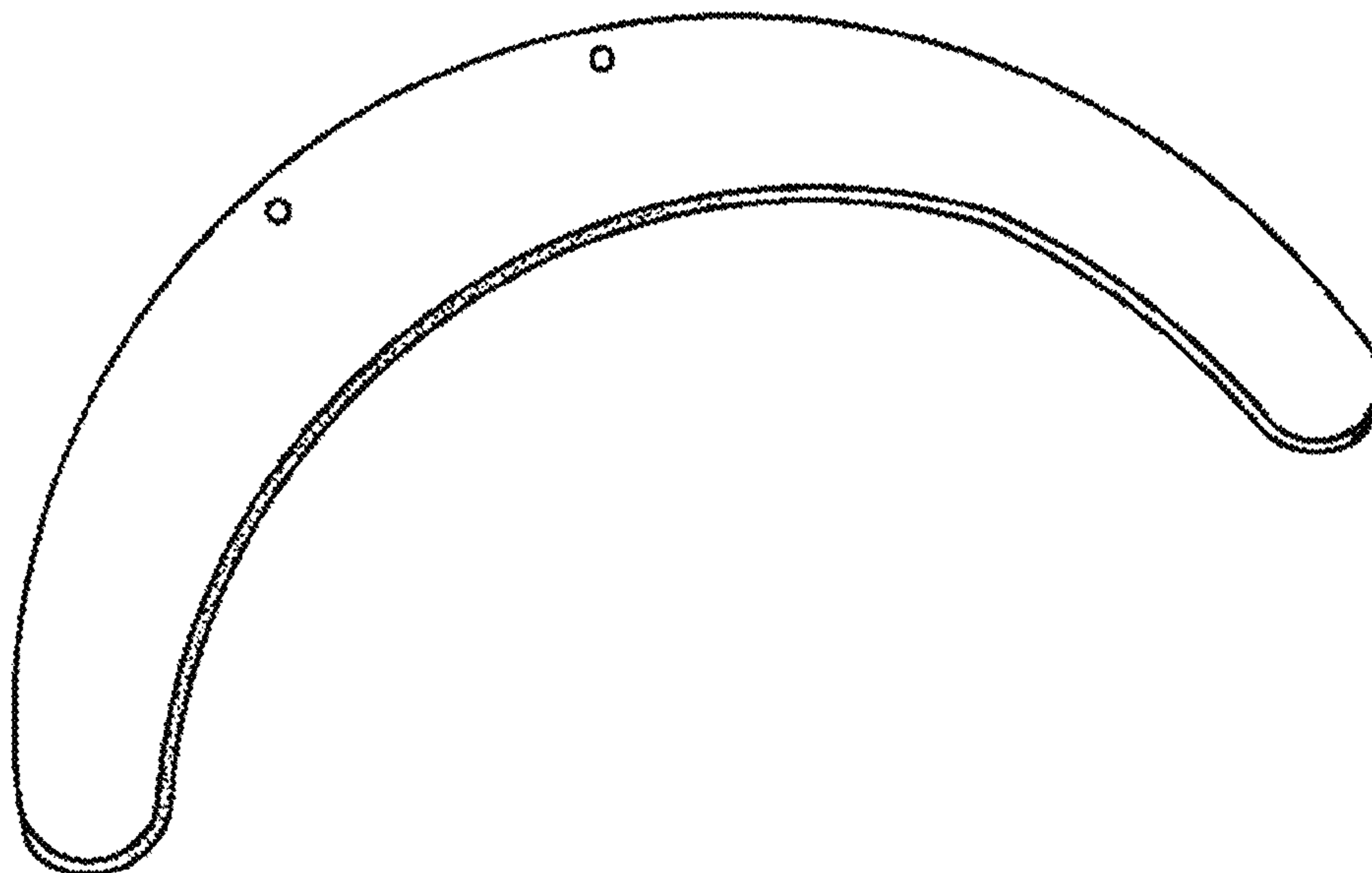


Fig. 1

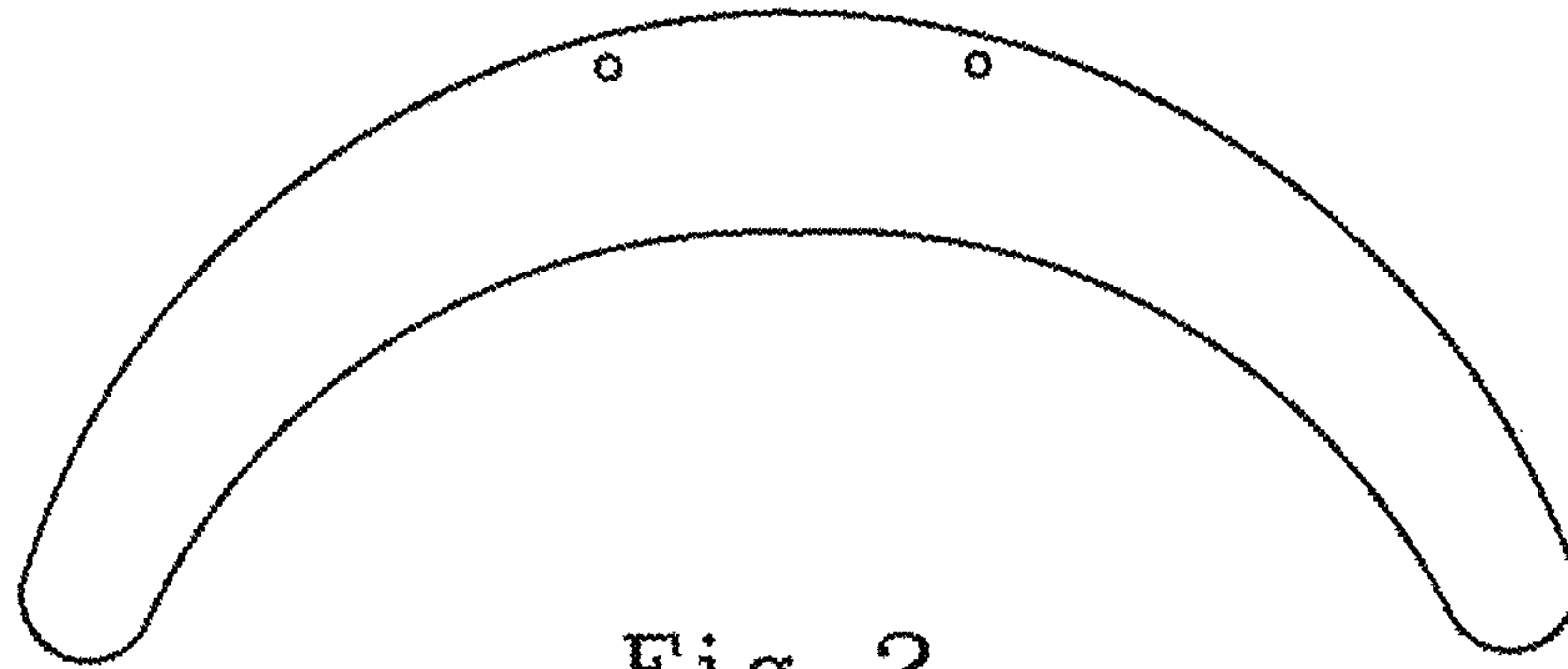


Fig. 3



Fig. 2

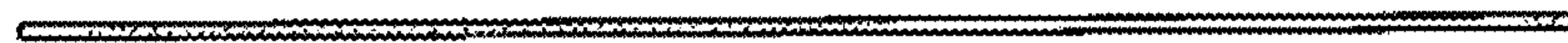


Fig. 4

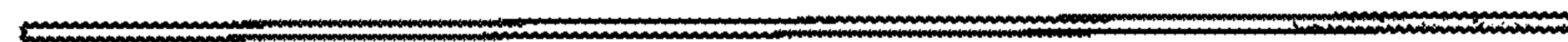


Fig. 5

