



US00D766443S

(12) **United States Design Patent** (10) **Patent No.:** **US D766,443 S**  
**Takeda et al.** (45) **Date of Patent:** **\*\* Sep. 13, 2016**

(54) **ORTHODONTIC BRACKET**

(71) Applicants: **ADAMANT CO., LTD.**, Tokyo (JP);  
**NAMIKI SEIMITSU HOUSEKI**  
**KABUSHIKI KAISHA**, Tokyo (JP);  
**Kyoto Takemoto**, Tokyo (JP)

(72) Inventors: **Shinichi Takeda**, Tokyo (JP); **Yusuke**  
**Akiyama**, Tokyo (JP); **Shunsuke**  
**Karashima**, Tokyo (JP); **Shunpei**  
**Amano**, Tokyo (JP); **Yukiharu**  
**Shimizu**, Kuroishi (JP); **Nozomu**  
**Togashi**, Kuroishi (JP); **Minoru**  
**Yamaoka**, Kuroishi (JP); **Tomoyuki**  
**Kugo**, Tokyo (JP); **Hidehiro Uchiumi**,  
Tokyo (JP); **Kyoto Takemoto**, Tokyo  
(JP)

(73) Assignees: **ADAMANT CO., LTD.**, Tokyo (JP);  
**NAMIKI SEIMITSU HOUSEKI**  
**KABUSHIKI KAISHA**, Tokyo (JP);  
**Kyoko Takemoto**, Tokyo (JP)

(\*\*) Term: **15 Years**

(21) Appl. No.: **29/531,463**

(22) Filed: **Jun. 25, 2015**

(30) **Foreign Application Priority Data**

Dec. 27, 2014 (JP) ..... 2014-029564

(51) **LOC (10) Cl.** ..... **24-04**

(52) **U.S. Cl.**  
USPC ..... **D24/180**

(58) **Field of Classification Search**  
USPC ..... D24/180-182, 156, 176  
CPC ..... A61C 7/00; A61C 7/12; A61C 7/14;  
A61C 7/141; A61C 7/16; A61C 7/28; A61C  
7/143; A61C 7/145

See application file for complete search history.

(56) **References Cited**

U.S. PATENT DOCUMENTS

3,578,744 A *	5/1971	Wildman .....	A61C 7/12 433/14
RE28,889 E *	7/1976	Wildman .....	A61C 7/12 433/14
D318,528 S *	7/1991	Bjork .....	D24/180
D606,201 S *	12/2009	Lawrence .....	D24/180
D747,808 S *	1/2016	Ji .....	D24/180
2015/0017597 A1 *	1/2015	Solano Reina .....	A61C 7/14 433/10

\* cited by examiner

*Primary Examiner* — Wan Laymon

(74) *Attorney, Agent, or Firm* — Studebaker & Brackett PC

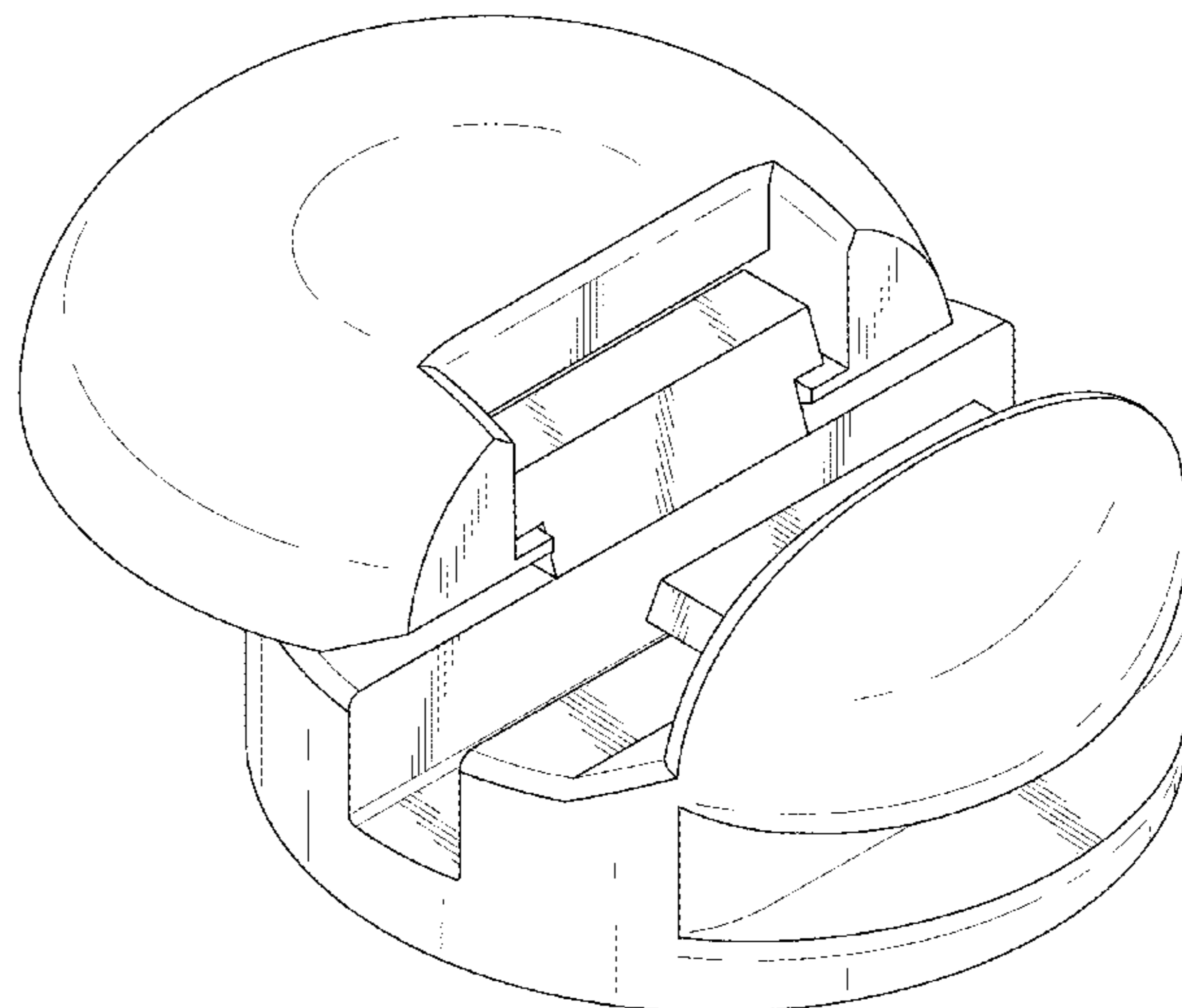
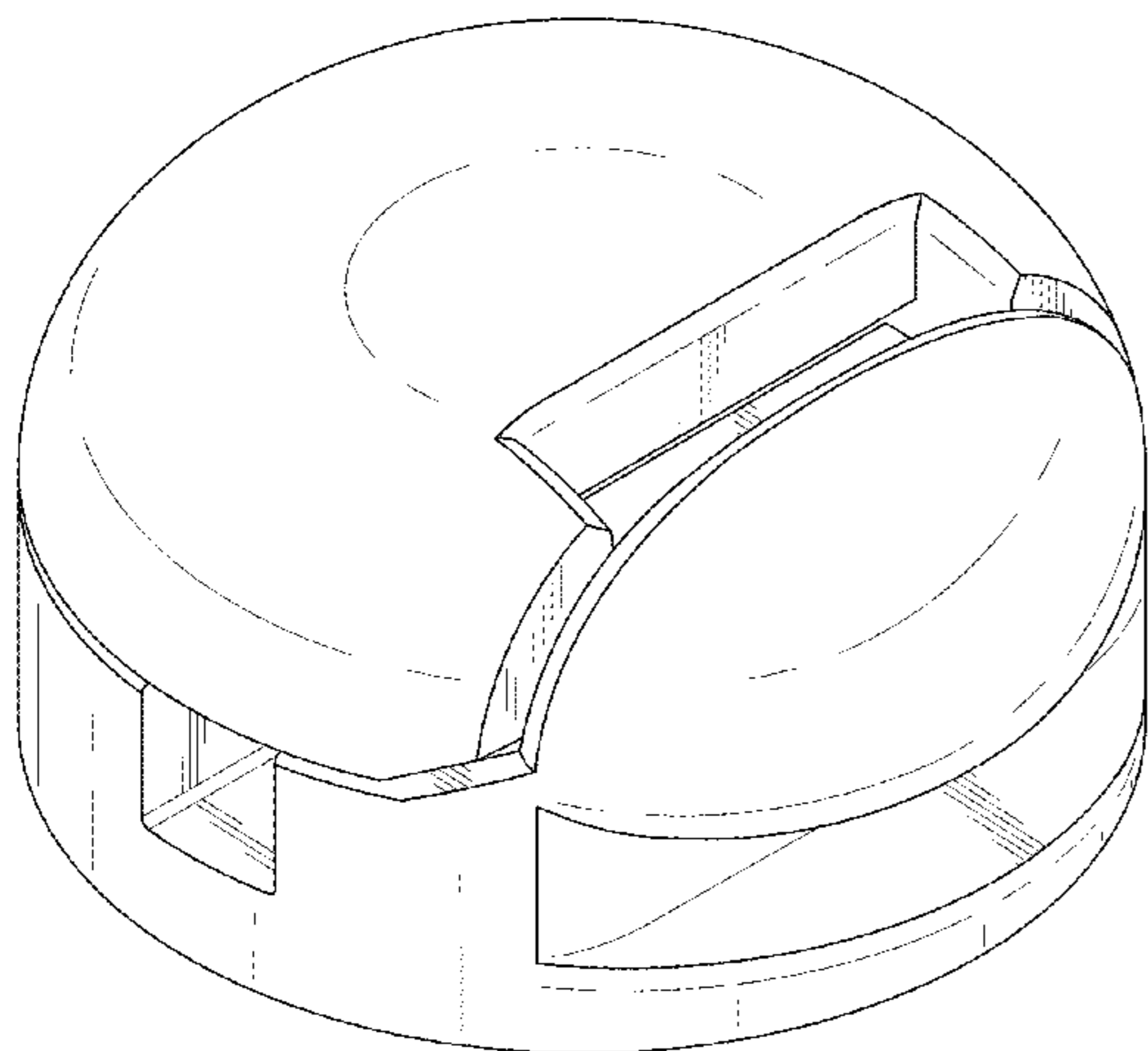
(57) **CLAIM**

The ornamental design for a orthodontic bracket, as shown and described.

**DESCRIPTION**

FIG. 1 is a perspective view of the orthodontic bracket;  
FIG. 2 is a front view of the orthodontic bracket;  
FIG. 3 is a rear view of the orthodontic bracket;  
FIG. 4 is a top view of the orthodontic bracket;  
FIG. 5 is a bottom view of the orthodontic bracket;  
FIG. 6 is a right side view of the orthodontic bracket;  
FIG. 7 is a left side view of the orthodontic bracket;  
FIG. 8 is a reference perspective view of the orthodontic  
bracket at the time of opening;  
FIG. 9 is a top view of the orthodontic bracket at the time  
of opening; and,  
FIG. 10 is a right side view of the orthodontic bracket at the  
time of opening.

**1 Claim, 10 Drawing Sheets**



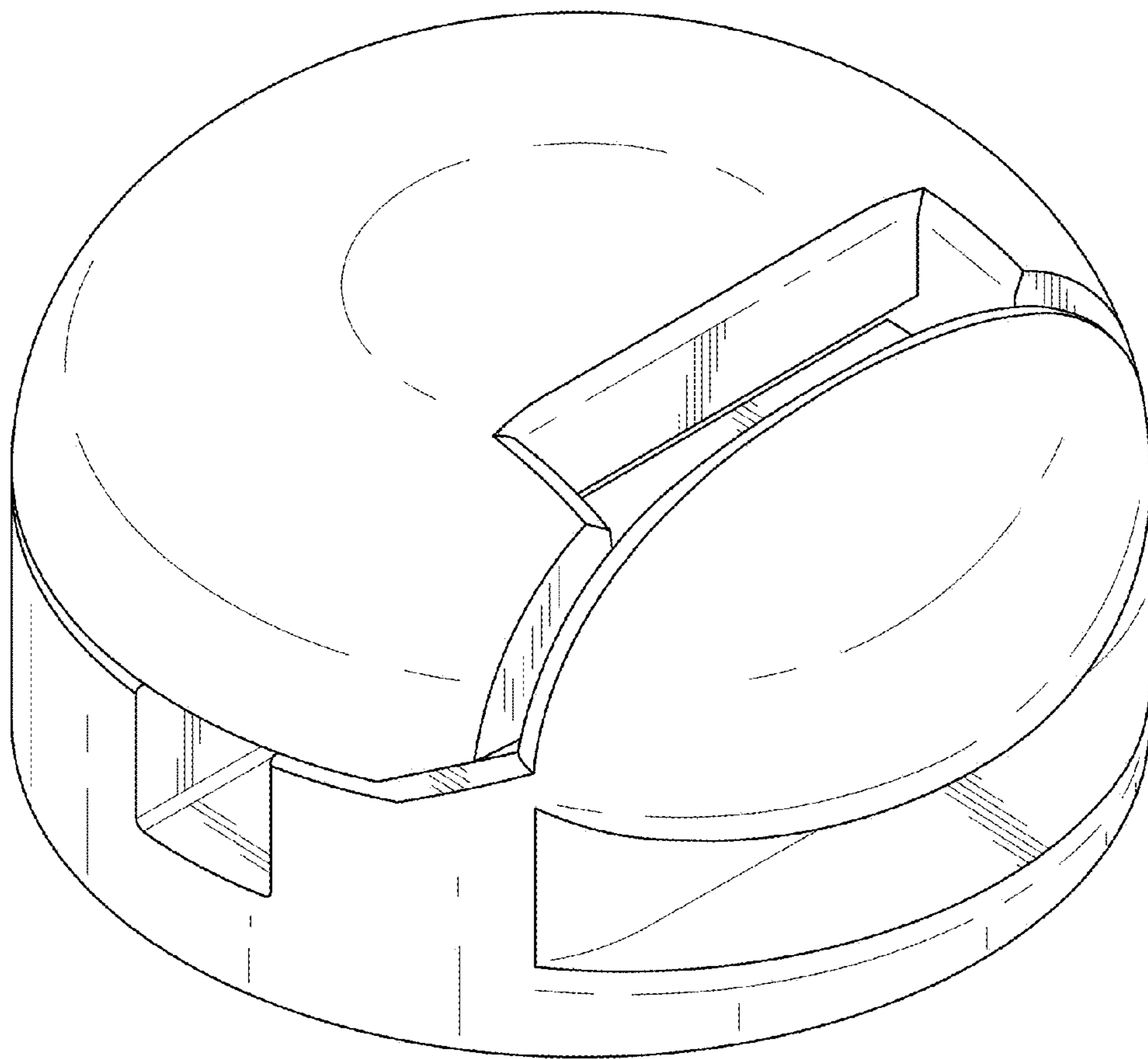


FIG. 1

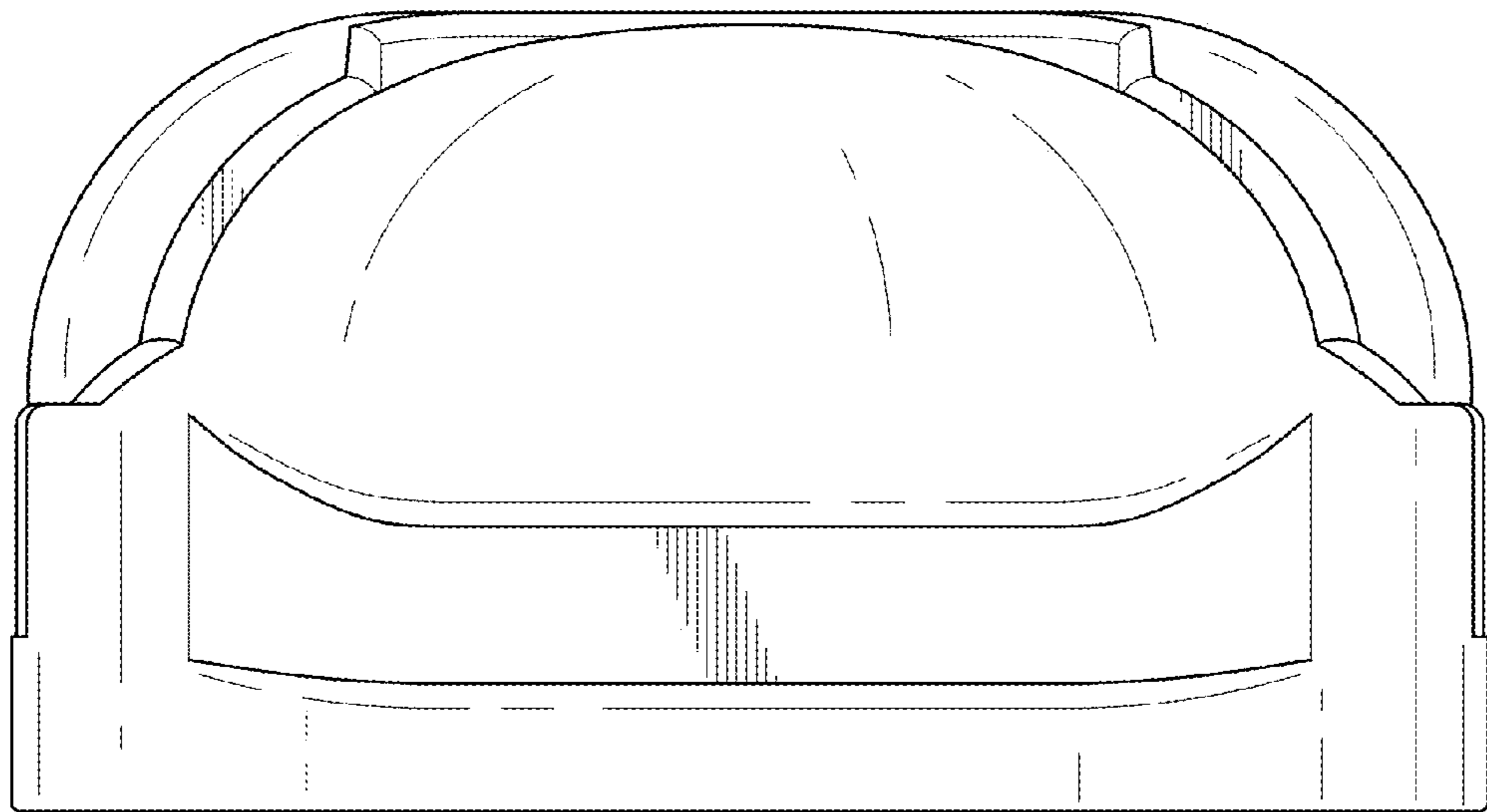


FIG. 2

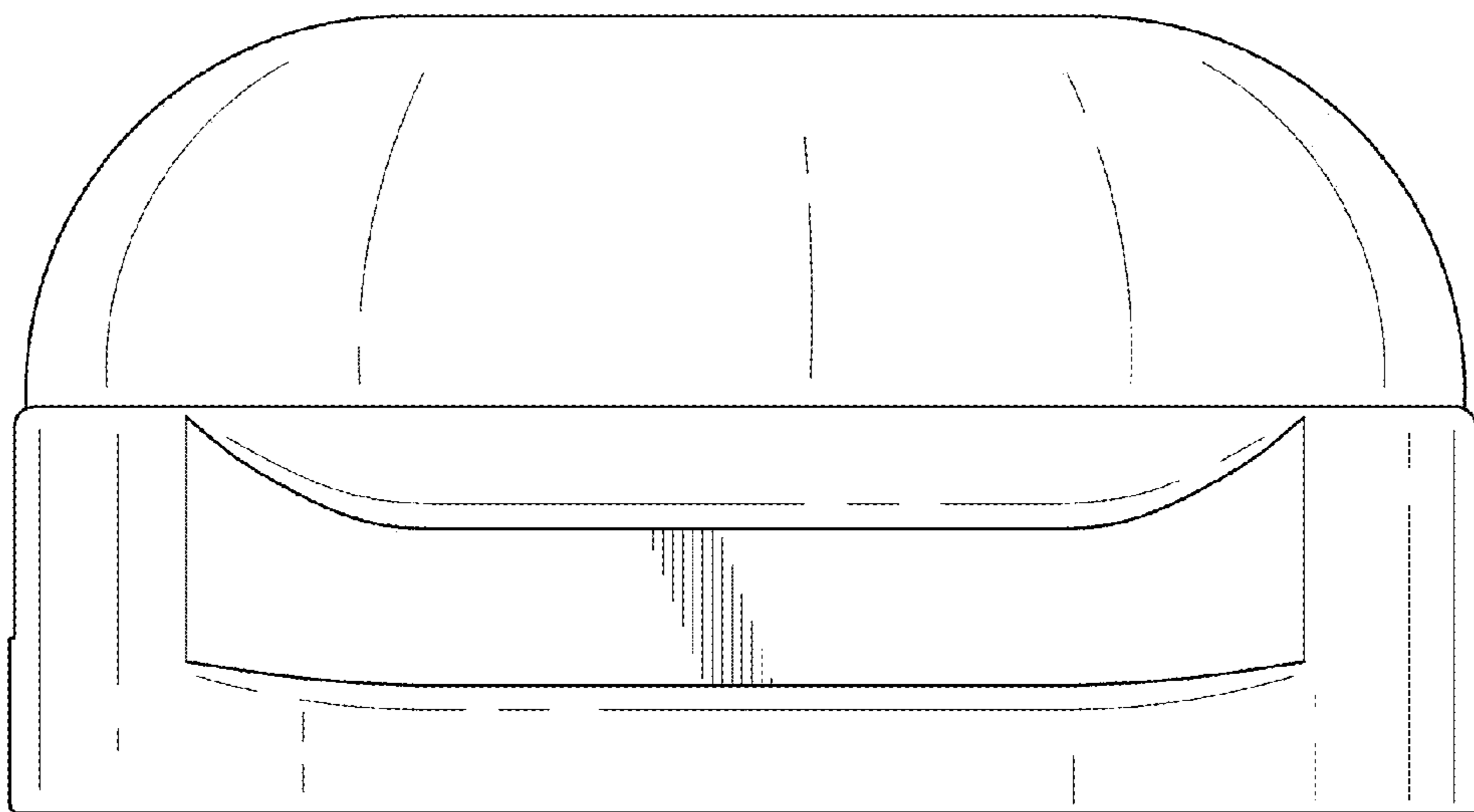


FIG. 3

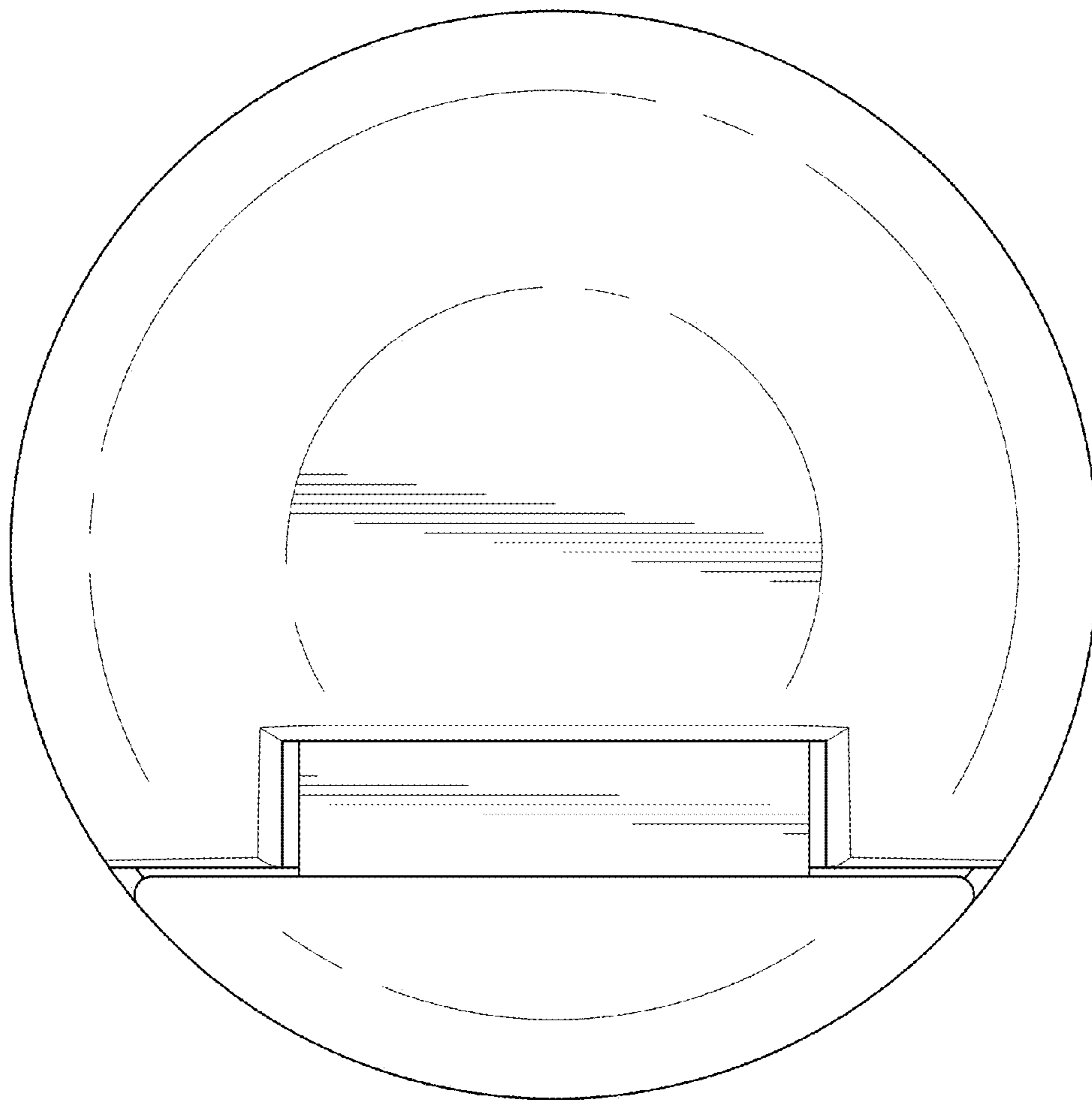


FIG. 4

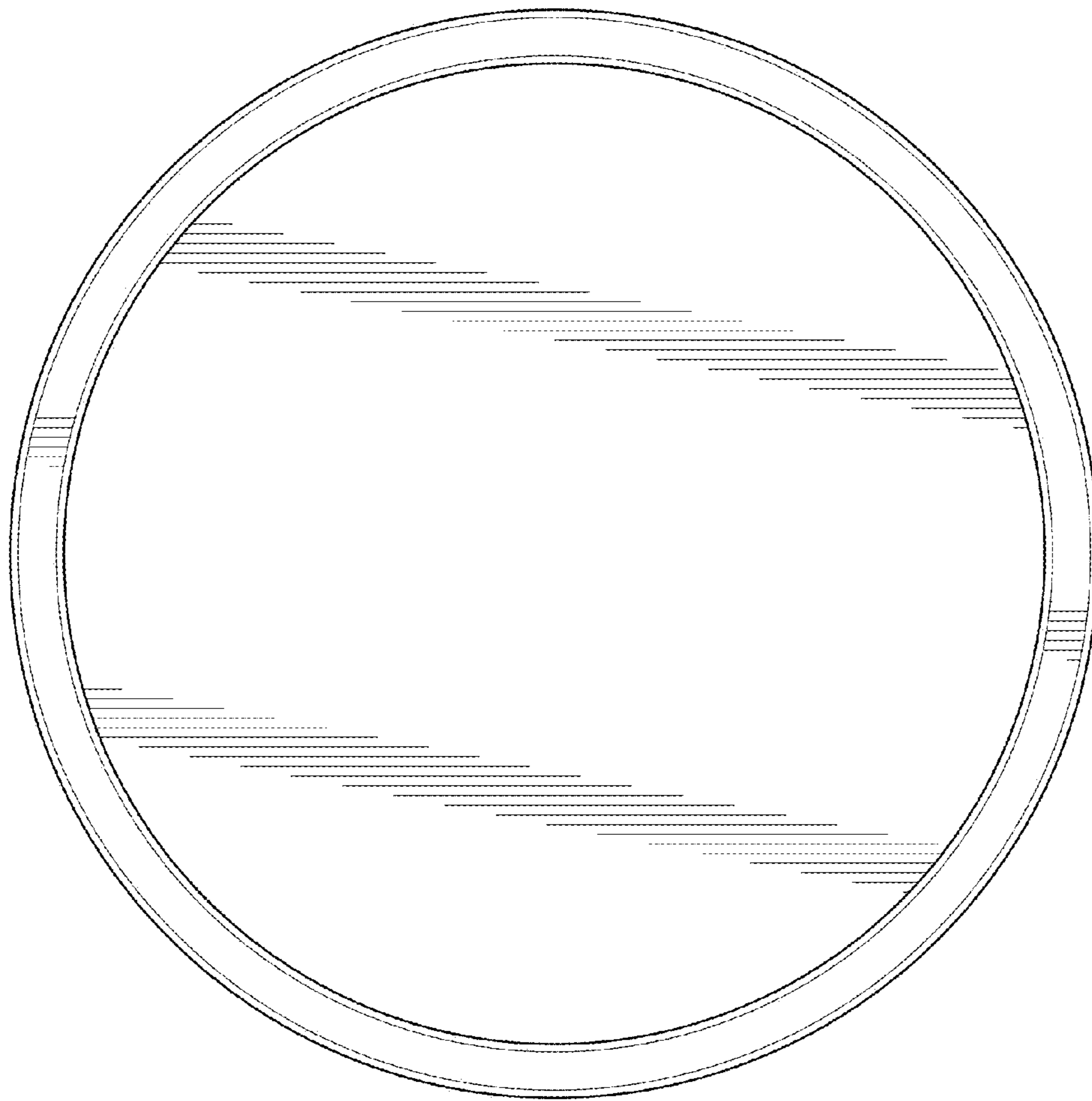


FIG. 5

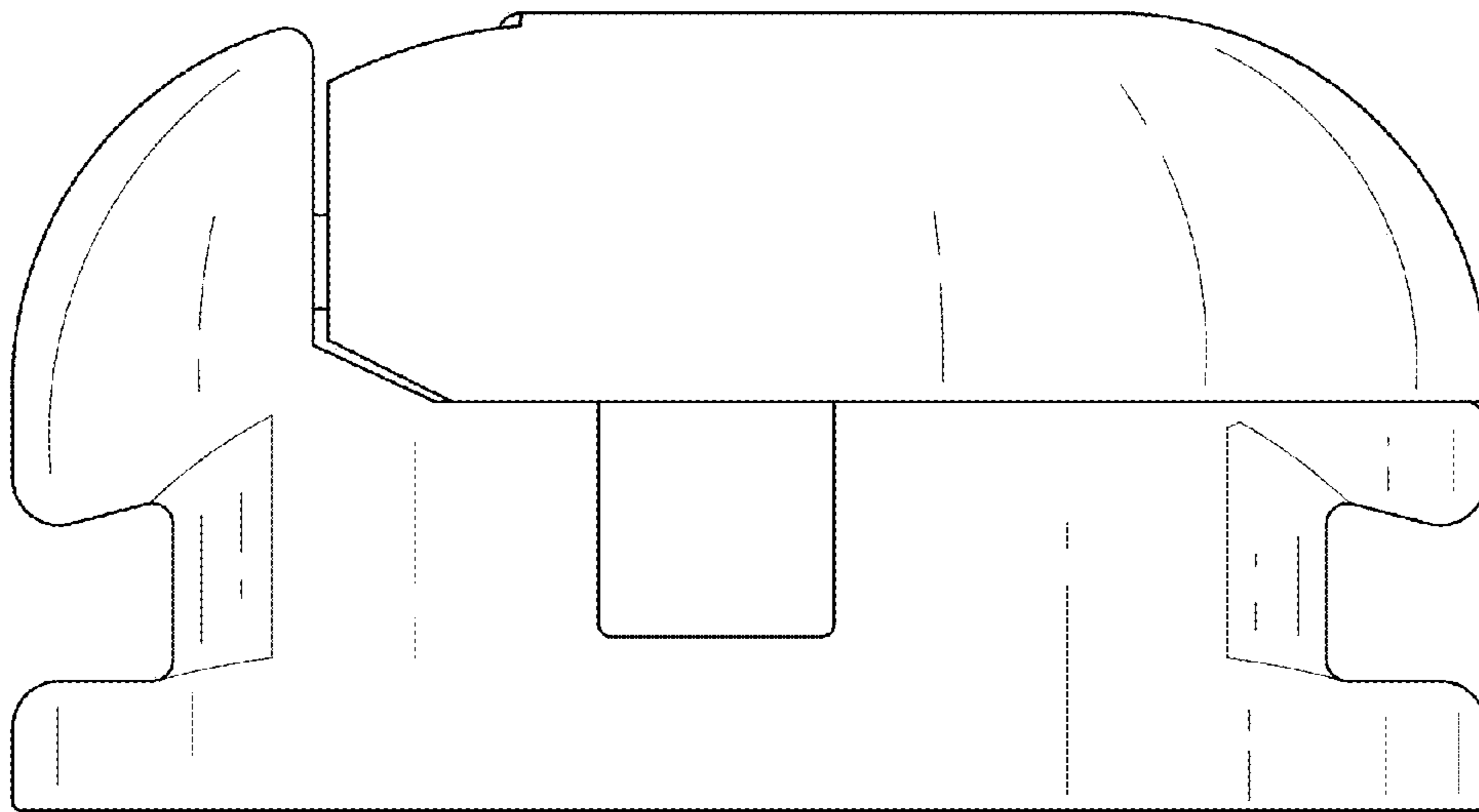


FIG. 6

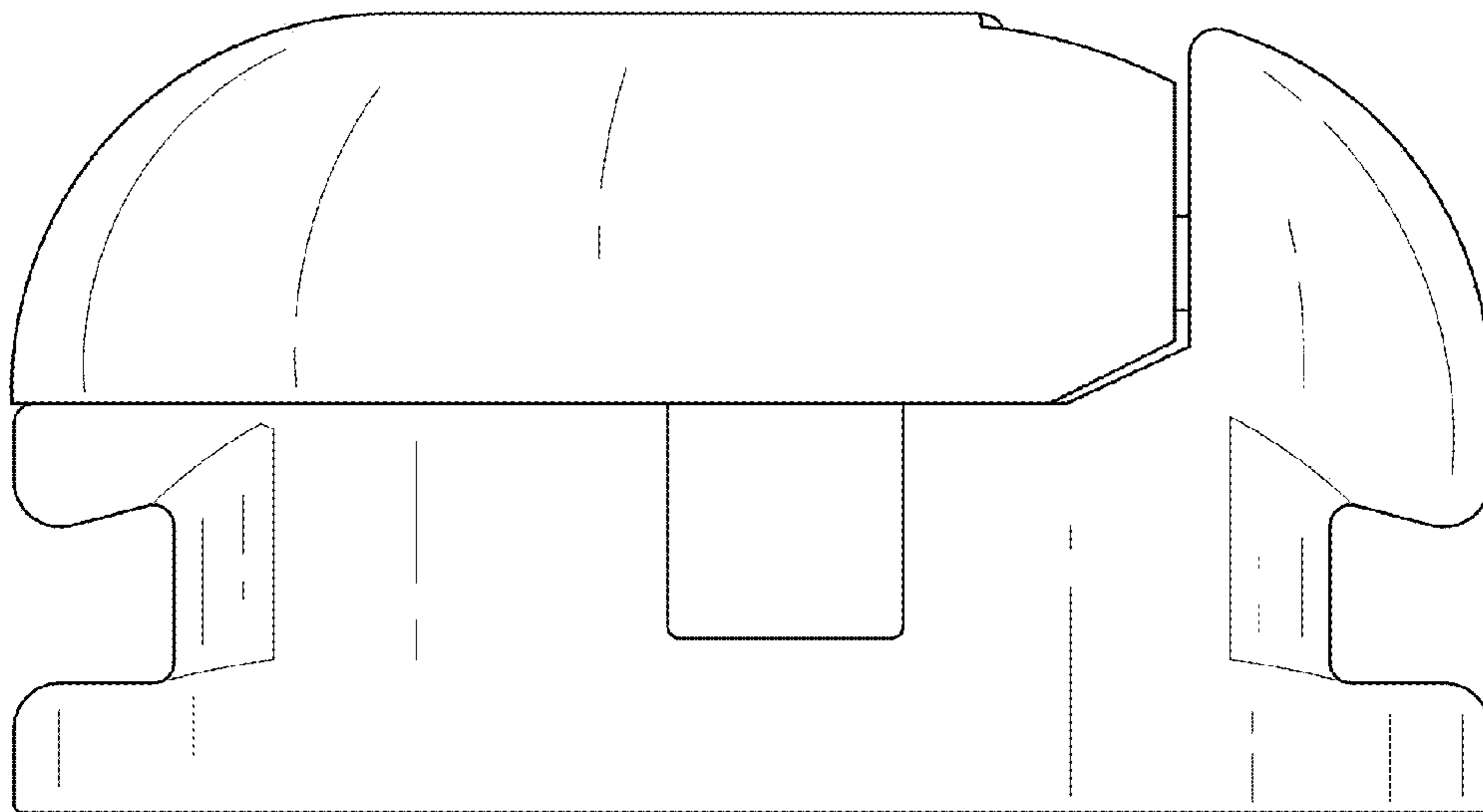


FIG. 7



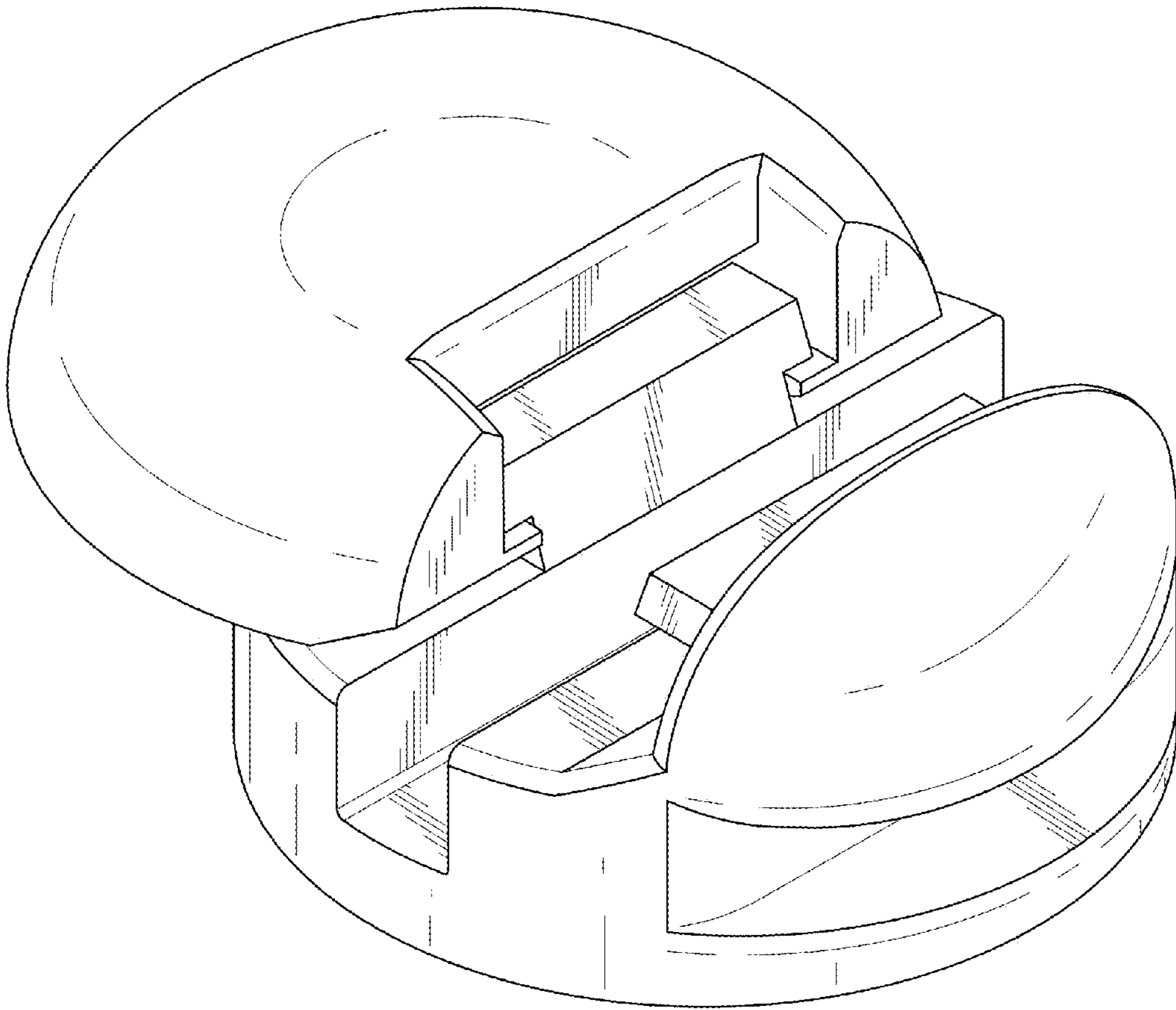


FIG. 8

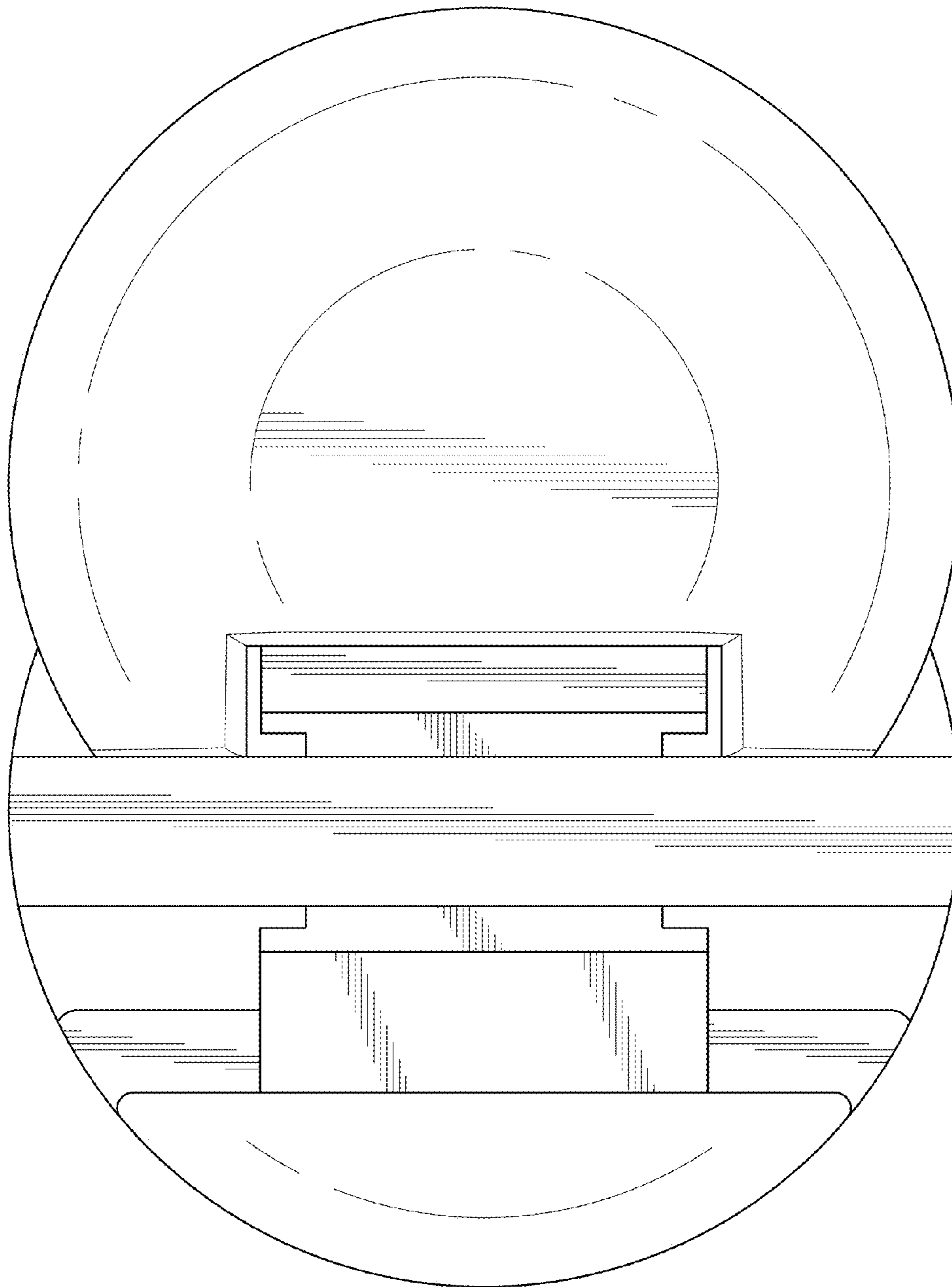


FIG. 9

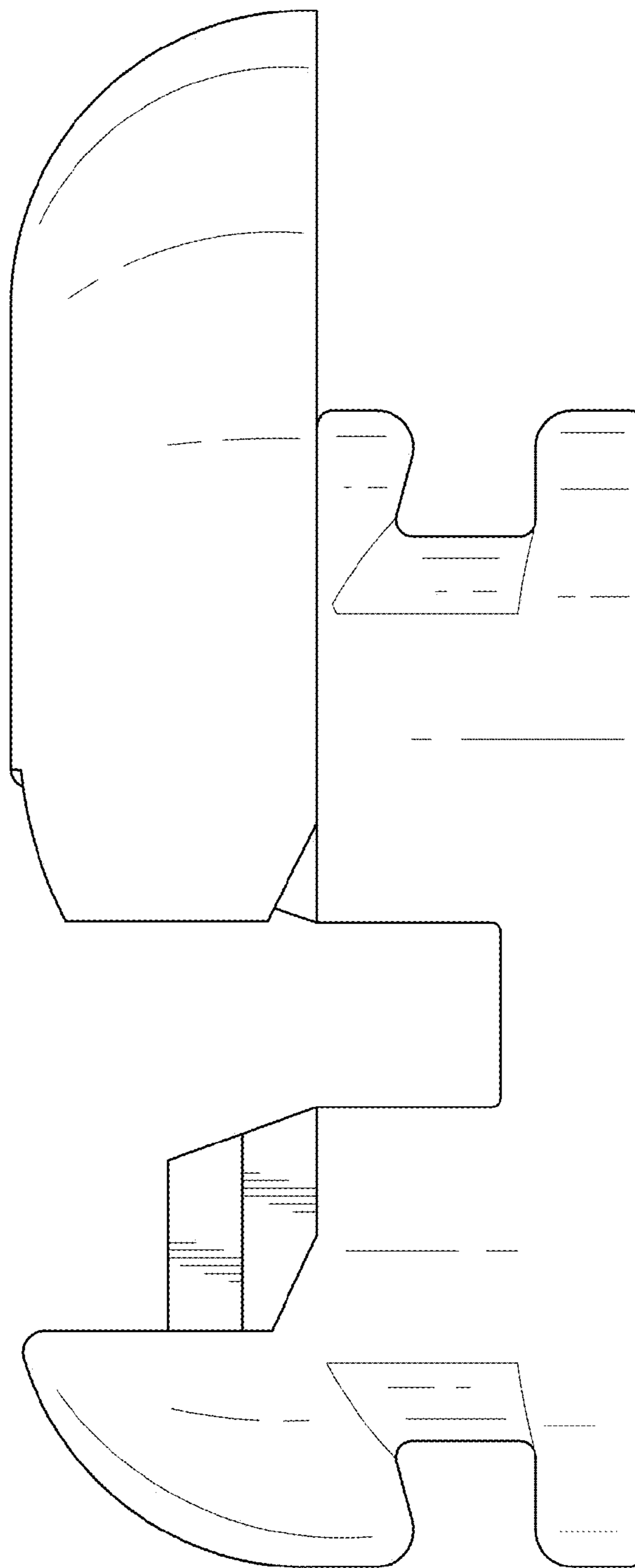


FIG. 10