



US00D766441S

(12) **United States Design Patent** (10) **Patent No.:** **US D766,441 S**
Liu et al. (45) **Date of Patent:** **** Sep. 13, 2016**

(54) **GAMMA KNIFE**

(56) **References Cited**

(71) Applicant: **CYBER MEDICAL CORPORATION LIMITED**, Hong Kong (CN)

U.S. PATENT DOCUMENTS

(72) Inventors: **Haifeng Liu**, Xi'an (CN); **Bing He**, Xi'an (CN)

D345,606 S *	3/1994	Perusek	D24/159
D386,261 S *	11/1997	Lee	D24/159
6,917,666 B2 *	7/2005	Wollenweber	A61B 6/04 378/20
D527,105 S *	8/2006	Kitayama	D24/158
D678,527 S *	3/2013	Boninger	D24/158
D715,444 S *	10/2014	Zhi	D24/159
D715,943 S *	10/2014	Zhang	D24/159
D715,944 S *	10/2014	Yao	D24/159
D715,945 S *	10/2014	Zhang	D24/159
D750,253 S *	2/2016	Liu	D24/158

(**) Term: **15 Years**

(21) Appl. No.: **29/532,258**

(22) Filed: **Jul. 3, 2015**

* cited by examiner

(30) **Foreign Application Priority Data**

Primary Examiner — Anhdao Doan

Jun. 1, 2015 (CN) 2015 3 0173684

(57) **CLAIM**

The ornamental design for a gamma knife, as shown.

(51) **LOC (10) Cl.** **24-01**

DESCRIPTION

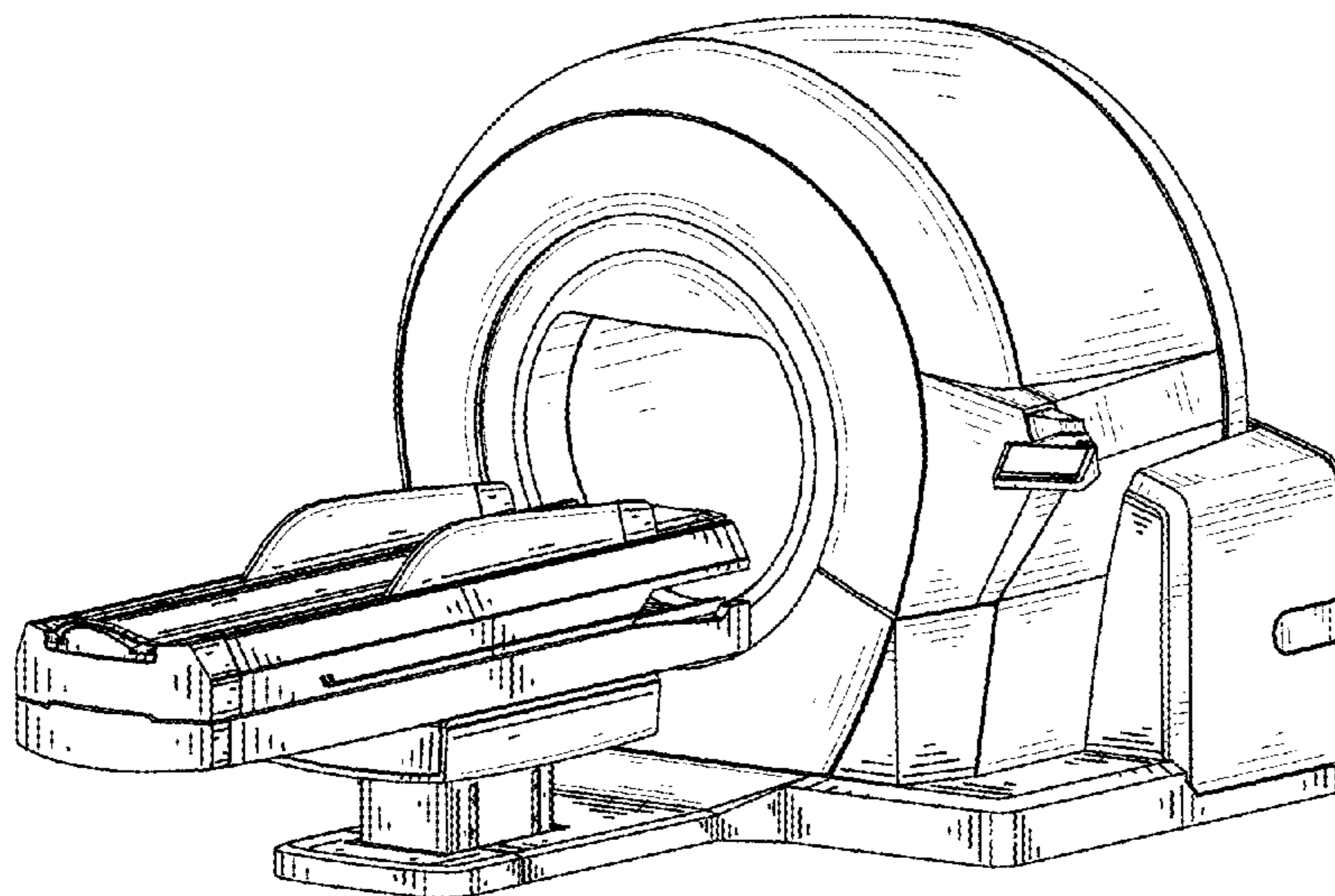
(52) **U.S. Cl.**
USPC **D24/159**

(58) **Field of Classification Search**
USPC D24/158-161, 185, 186, 107, 183, 184
CPC .. A61B 6/035; A61B 6/4405; A61B 6/4411;
A61B 6/4429; A61B 6/4435; A61B 6/4441;
A61B 6/4447; A61B 6/484; A61B 6/0407;
A61B 6/0428; A61G 2210/50

FIG. 1 is a front perspective view of a gamma knife showing our new ornamental design;
FIG. 2 is a front elevational view thereof;
FIG. 3 is a rear elevational view thereof;
FIG. 4 is a left side elevational view thereof;
FIG. 5 is a right side elevational view thereof;
FIG. 6 is a top plan view thereof; and,
FIG. 7 is a bottom view thereof.

See application file for complete search history.

1 Claim, 7 Drawing Sheets



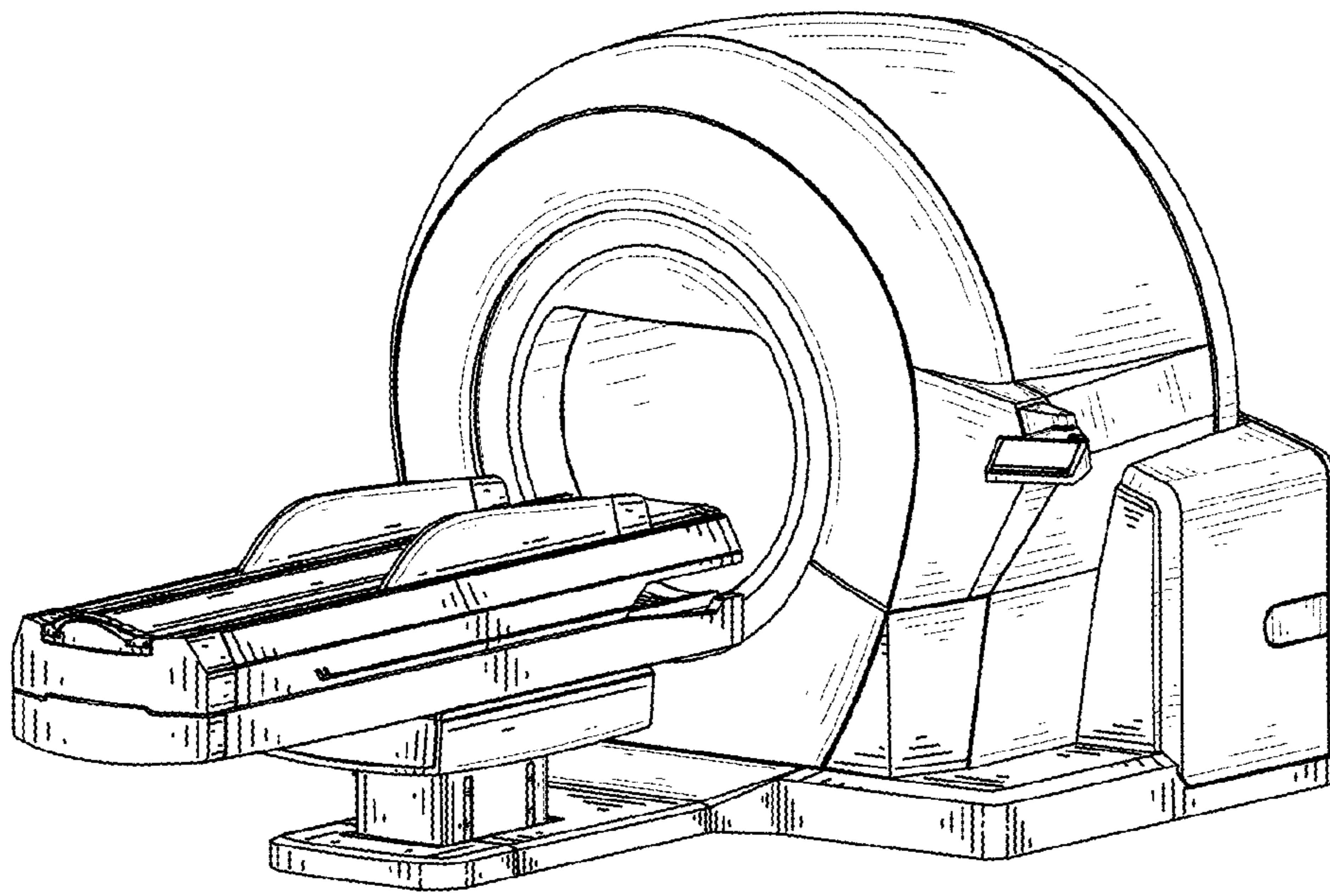


FIG. 1

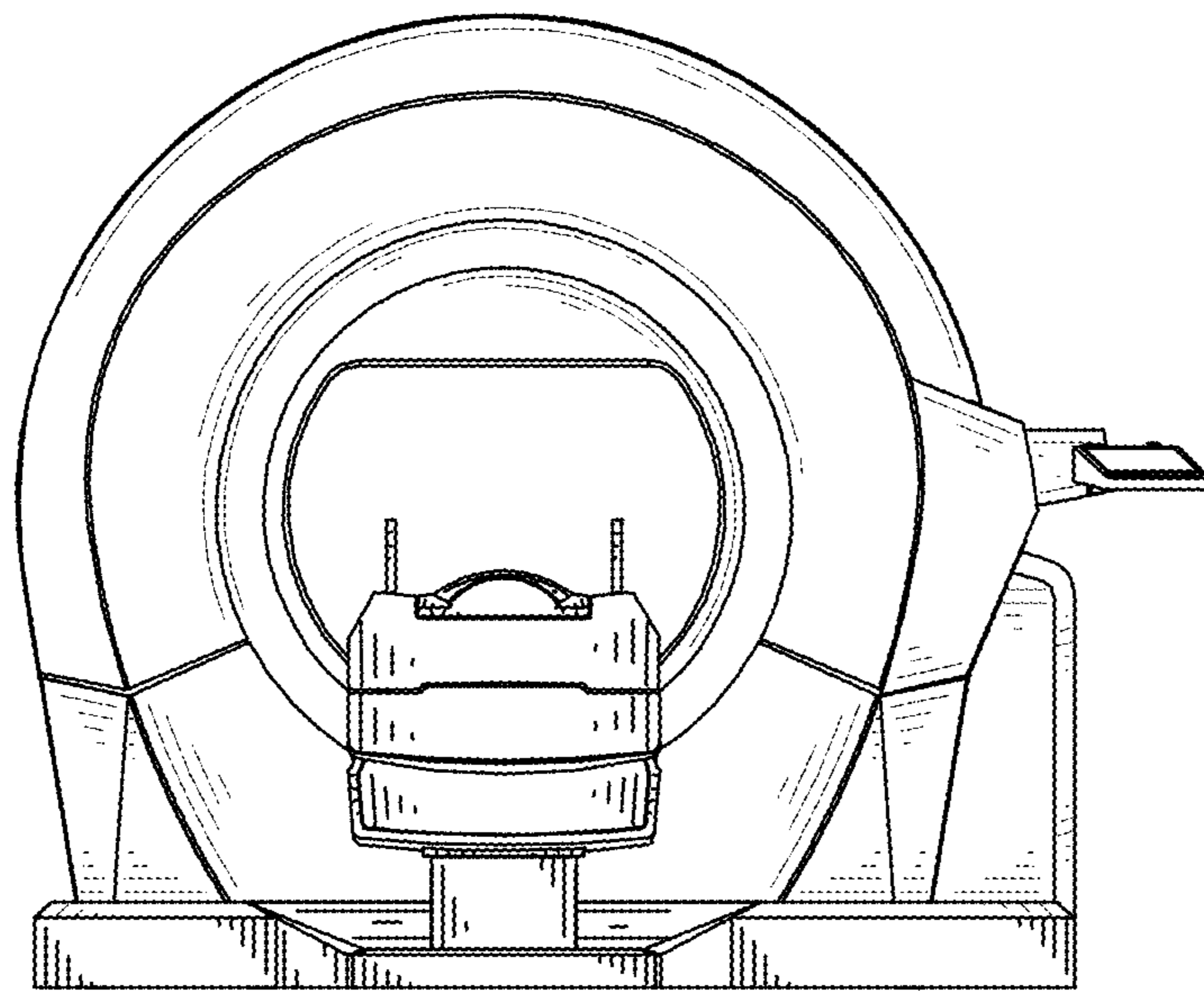


FIG. 2

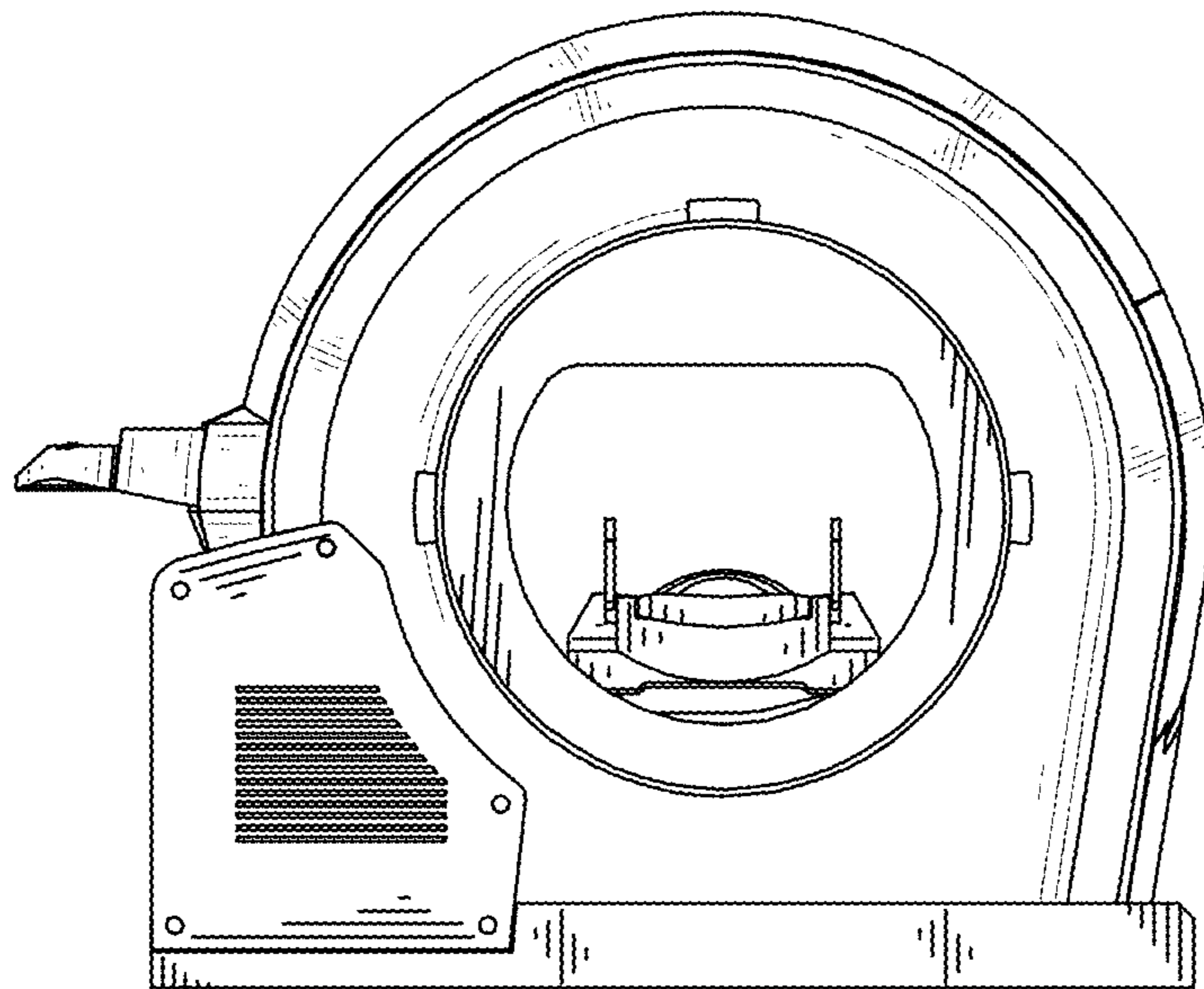


FIG. 3

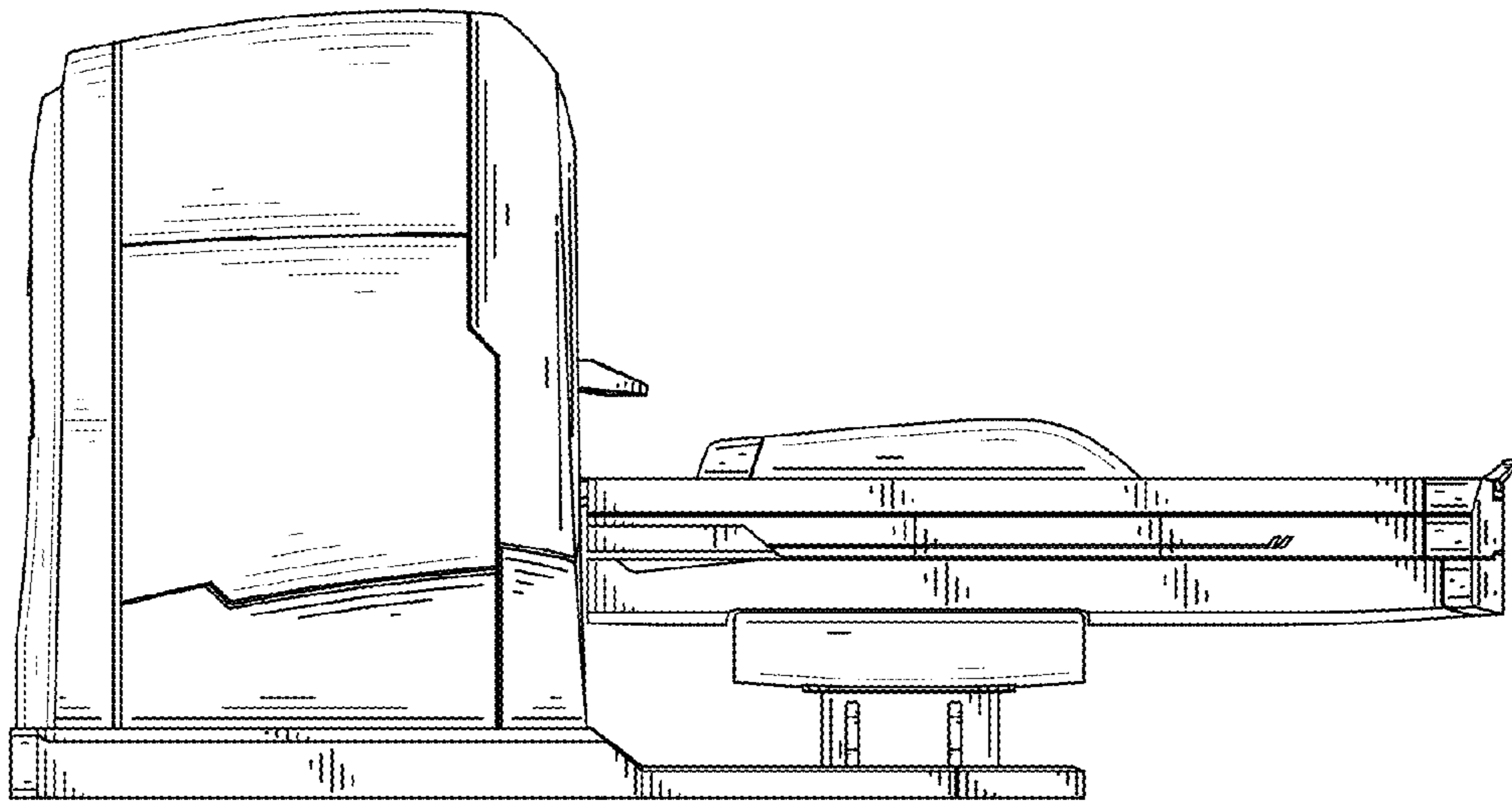


FIG. 4

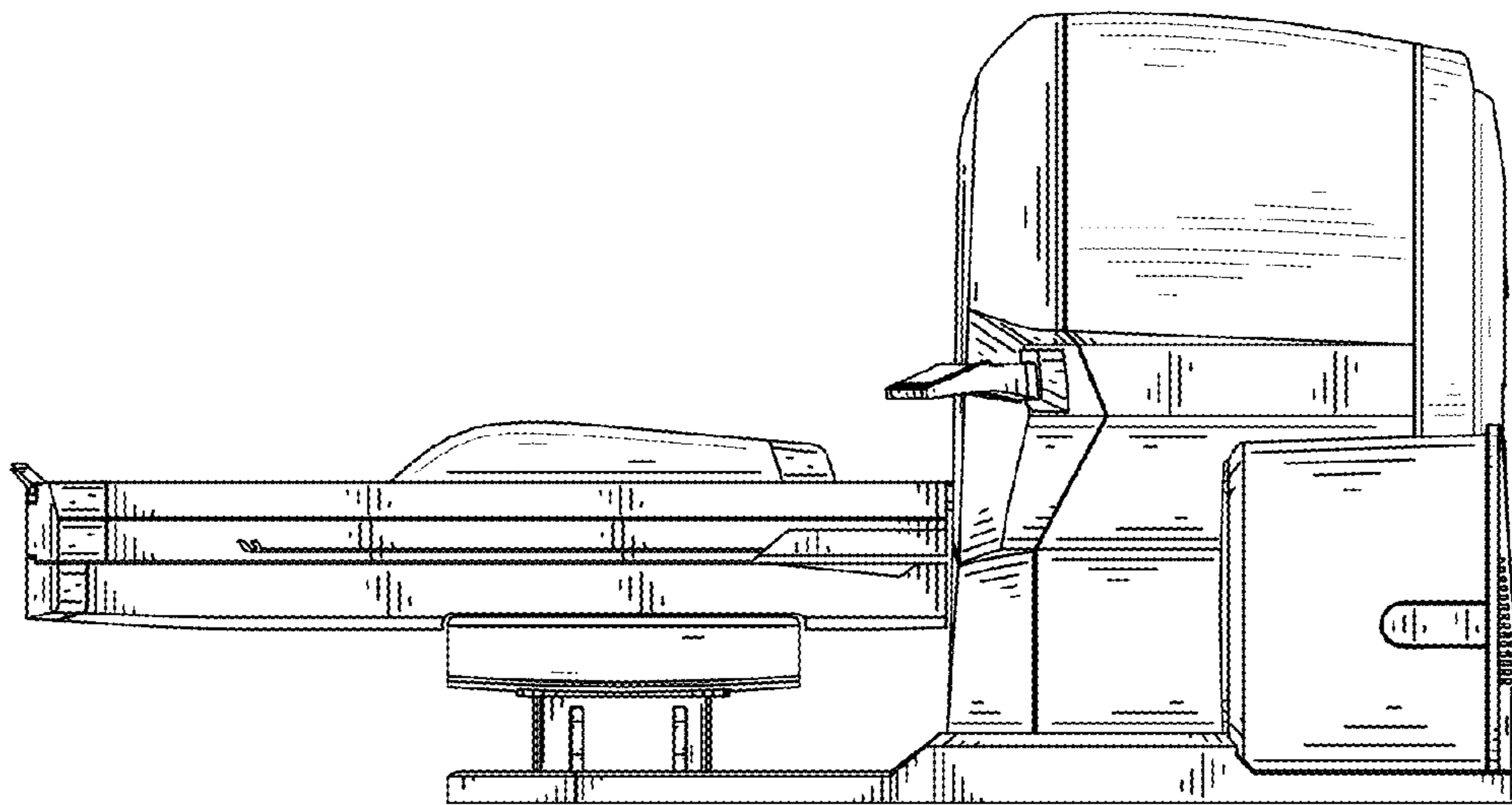


FIG. 5

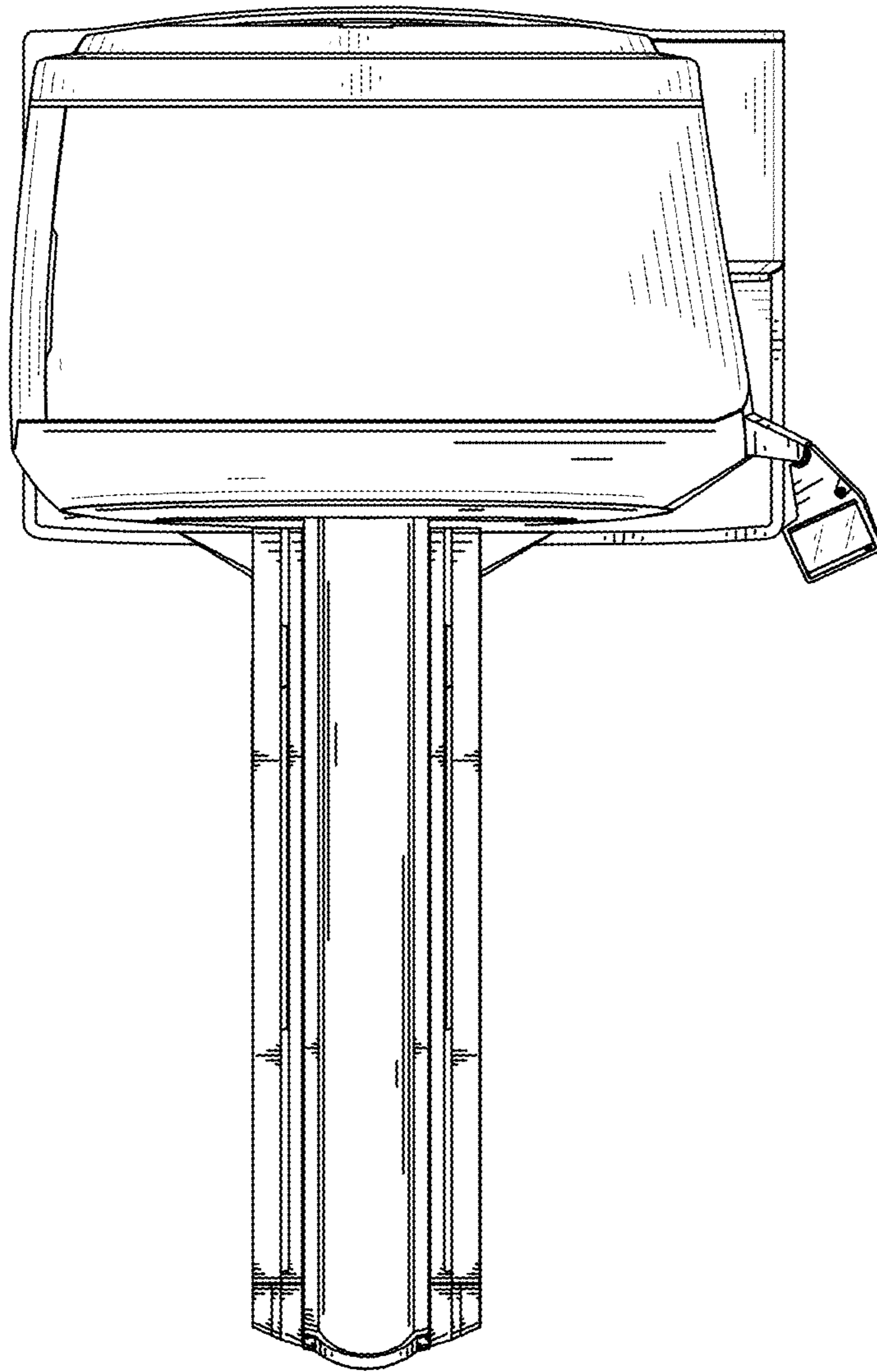


FIG. 6

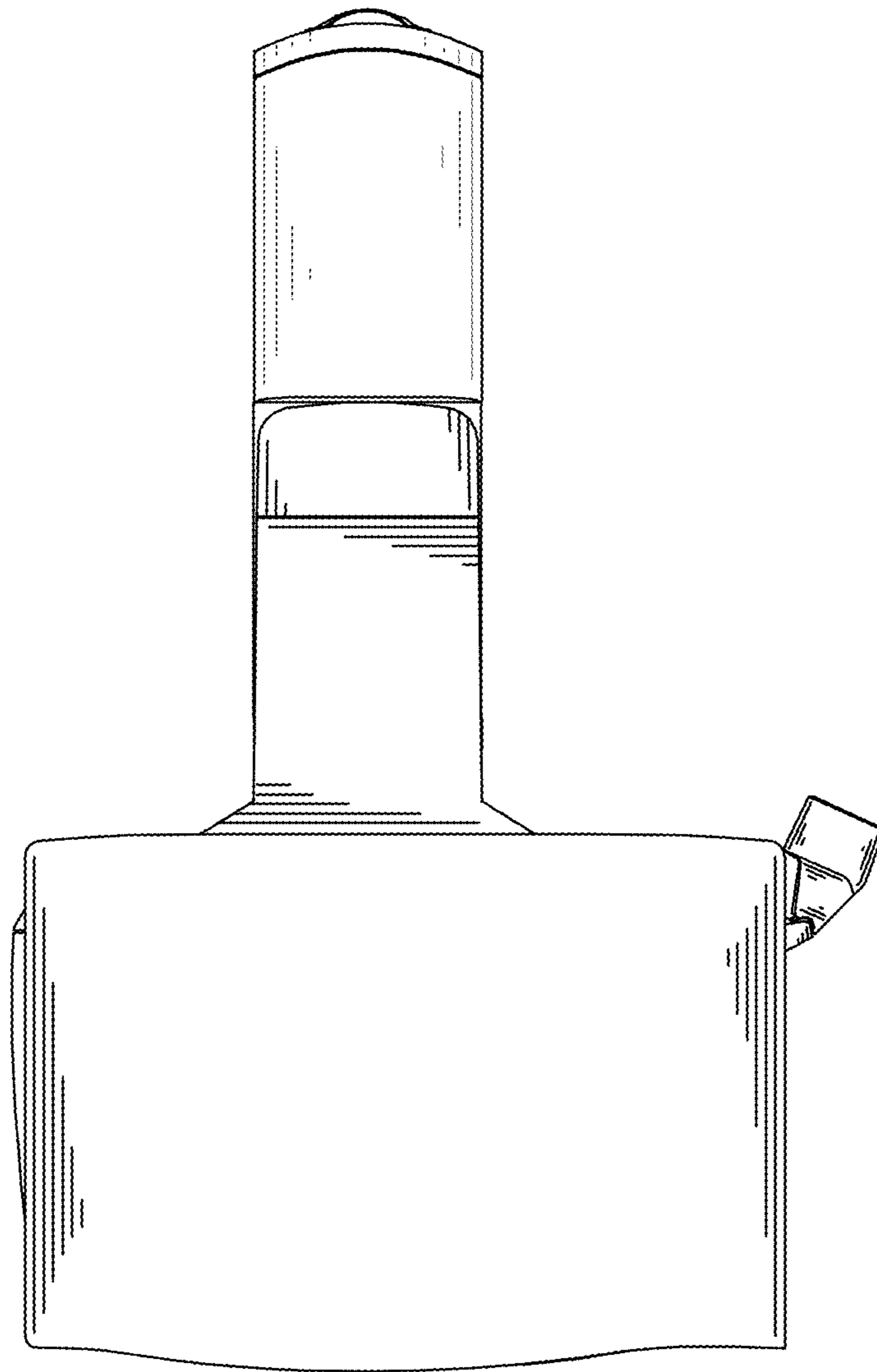


FIG. 7