



US00D766440S

(12) **United States Design Patent** (10) **Patent No.:** **US D766,440 S**  
**Kim et al.** (45) **Date of Patent:** **\*\* Sep. 13, 2016**

(54) **X-RAY DEVICE**

(56) **References Cited**

(71) Applicant: **Samsung Electronics Co., Ltd.**,  
Suwon-si, Gyeonggi-do (KR)

(72) Inventors: **Eui-Sik Kim**, Seoul (KR); **Yeon-Moo Chung**, Seoul (KR); **Sung-Woo Sul**,  
Yongin-si (KR)

(73) Assignee: **SAMSUNG ELECTRONICS CO., LTD.** (KR)

(\*\*) Term: **14 Years**

(21) Appl. No.: **29/520,383**

(22) Filed: **Mar. 13, 2015**

U.S. PATENT DOCUMENTS

D331,110 S 11/1992 Virta et al.  
7,302,031 B2 11/2007 Hjarn et al.  
D563,553 S 3/2008 Saito et al.  
D625,011 S \* 10/2010 Hirabayashi ..... D24/158  
7,978,812 B2 7/2011 Thaler  
D659,833 S 5/2012 Ogura  
D669,989 S 10/2012 Boudier  
D691,723 S 10/2013 Patil et al.  
D724,735 S \* 3/2015 Harverson ..... D24/158  
D728,106 S \* 4/2015 Laukkanen ..... D24/158  
2008/0269613 A1 \* 10/2008 Summers ..... A61B 8/0825  
600/459  
2010/0260316 A1 \* 10/2010 Stein ..... A61B 6/0414  
378/37  
2011/0087132 A1 4/2011 Defreitas et al.

\* cited by examiner

*Primary Examiner* — Anhdao Doan

(74) *Attorney, Agent, or Firm* — Cantor Colburn LLP

(57) **CLAIM**

The ornamental design for an X-ray device, as shown and described.

**DESCRIPTION**

FIG. 1 is a front perspective view of an X-ray device, showing our new design;  
FIG. 2 is a front view thereof;  
FIG. 3 is a rear view thereof;  
FIG. 4 is a side view thereof;  
FIG. 5 is another side view thereof;  
FIG. 6 is a top view thereof; and,  
FIG. 7 is a bottom view thereof.  
The broken lines in the drawing views illustrate portions of the X-ray device that form no part of the claimed design.

**1 Claim, 7 Drawing Sheets**

**Related U.S. Application Data**

(63) Continuation of application No. 29/497,710, filed on Jul. 28, 2014, now Pat. No. Des. 728,794.

(30) **Foreign Application Priority Data**

Jan. 29, 2014 (KR) ..... 30-2014-0004950

(51) **LOC (10) Cl.** ..... **24-01**

(52) **U.S. Cl.**  
USPC ..... **D24/158**

(58) **Field of Classification Search**  
USPC ..... D24/158-161, 185, 186  
CPC .. A61B 6/502; A61B 6/4416; A61B 6/4417;  
A61B 6/022; A61B 6/0414; A61B 8/0825;  
A61B 8/4209

See application file for complete search history.

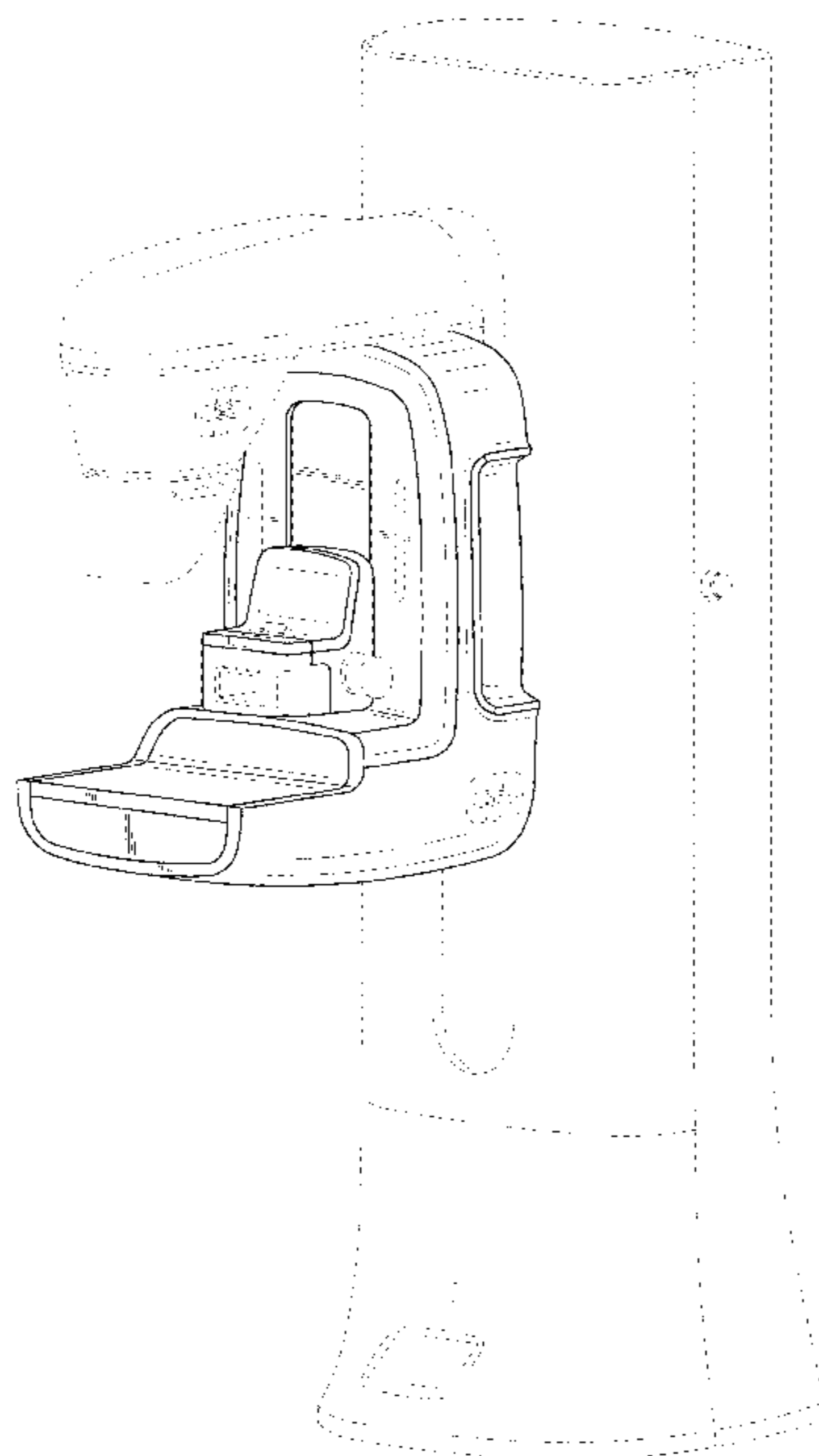


FIG. 1

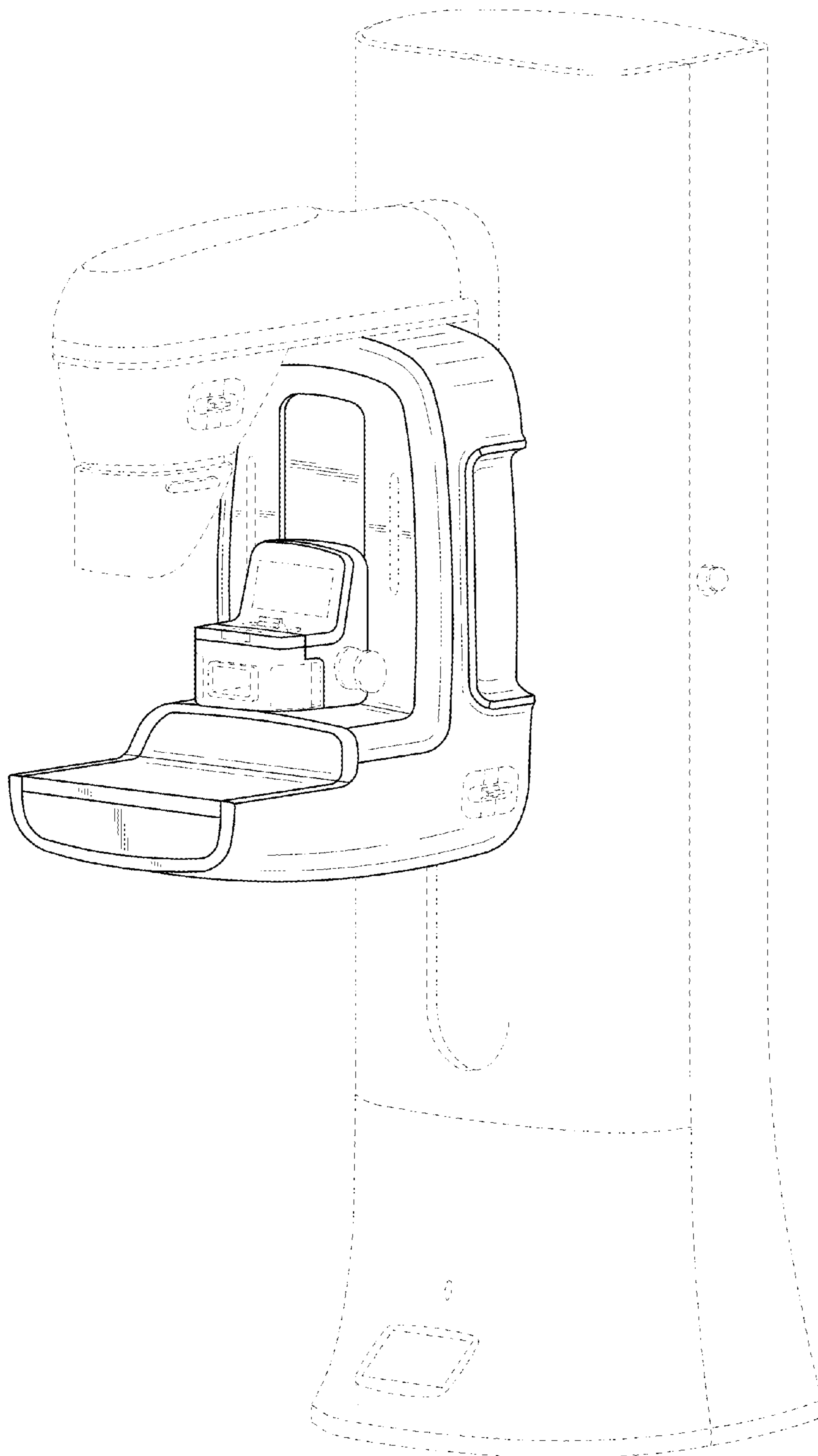


FIG.2

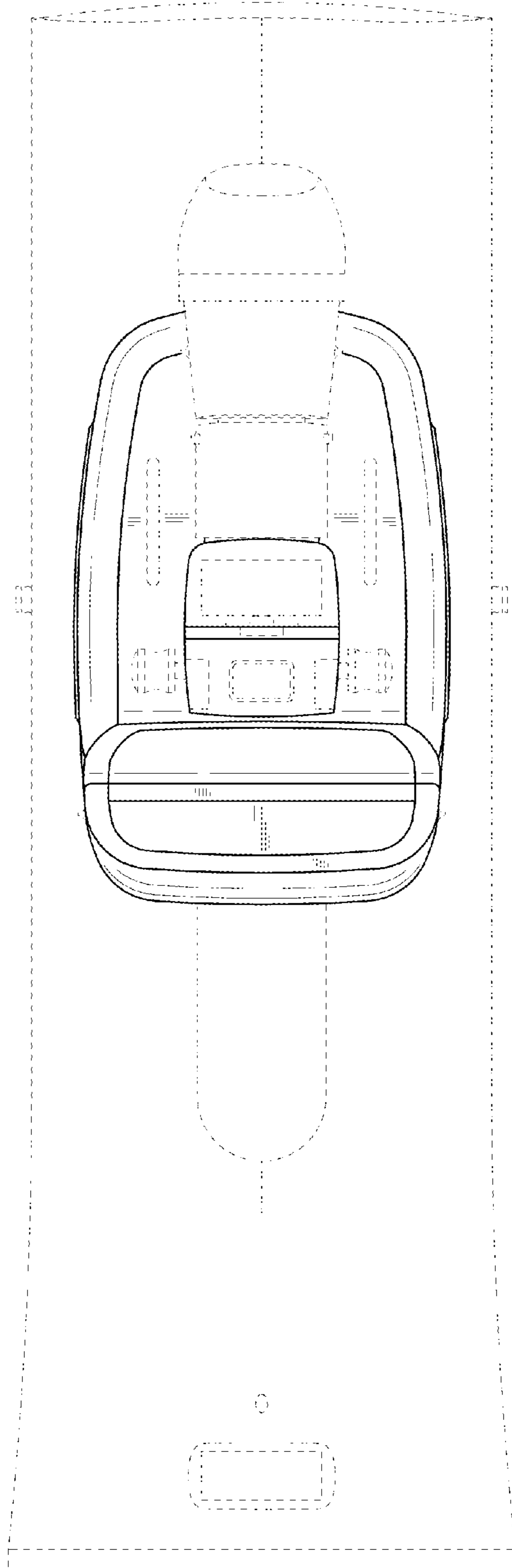


FIG.3

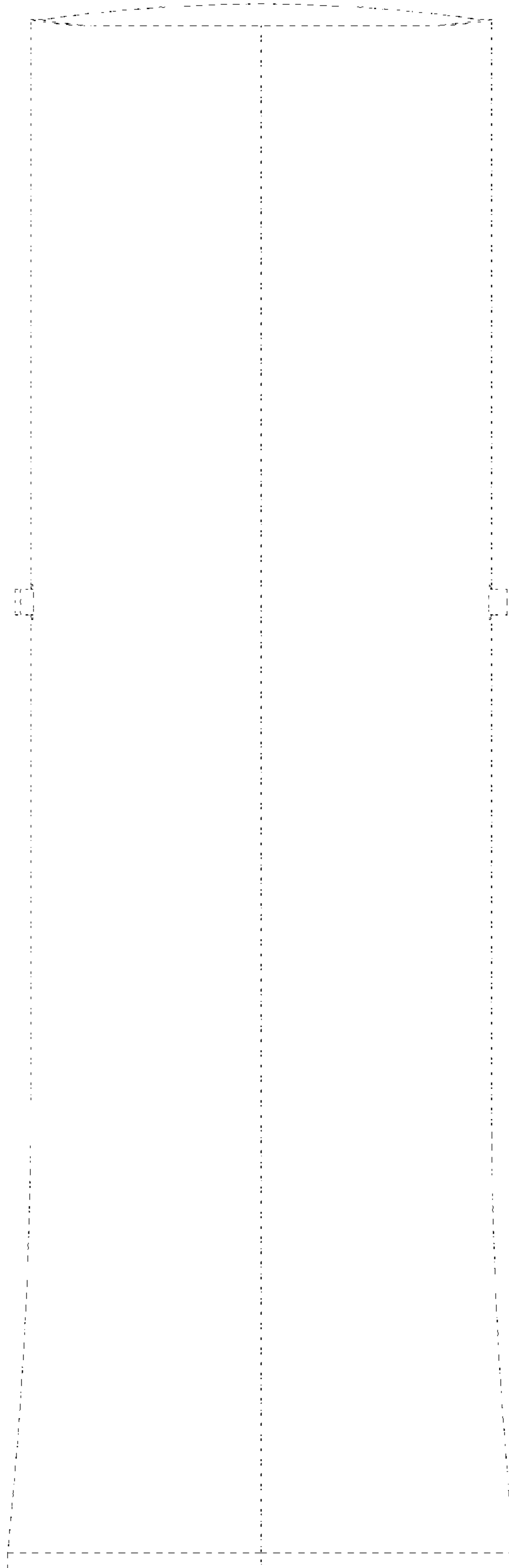


FIG.4

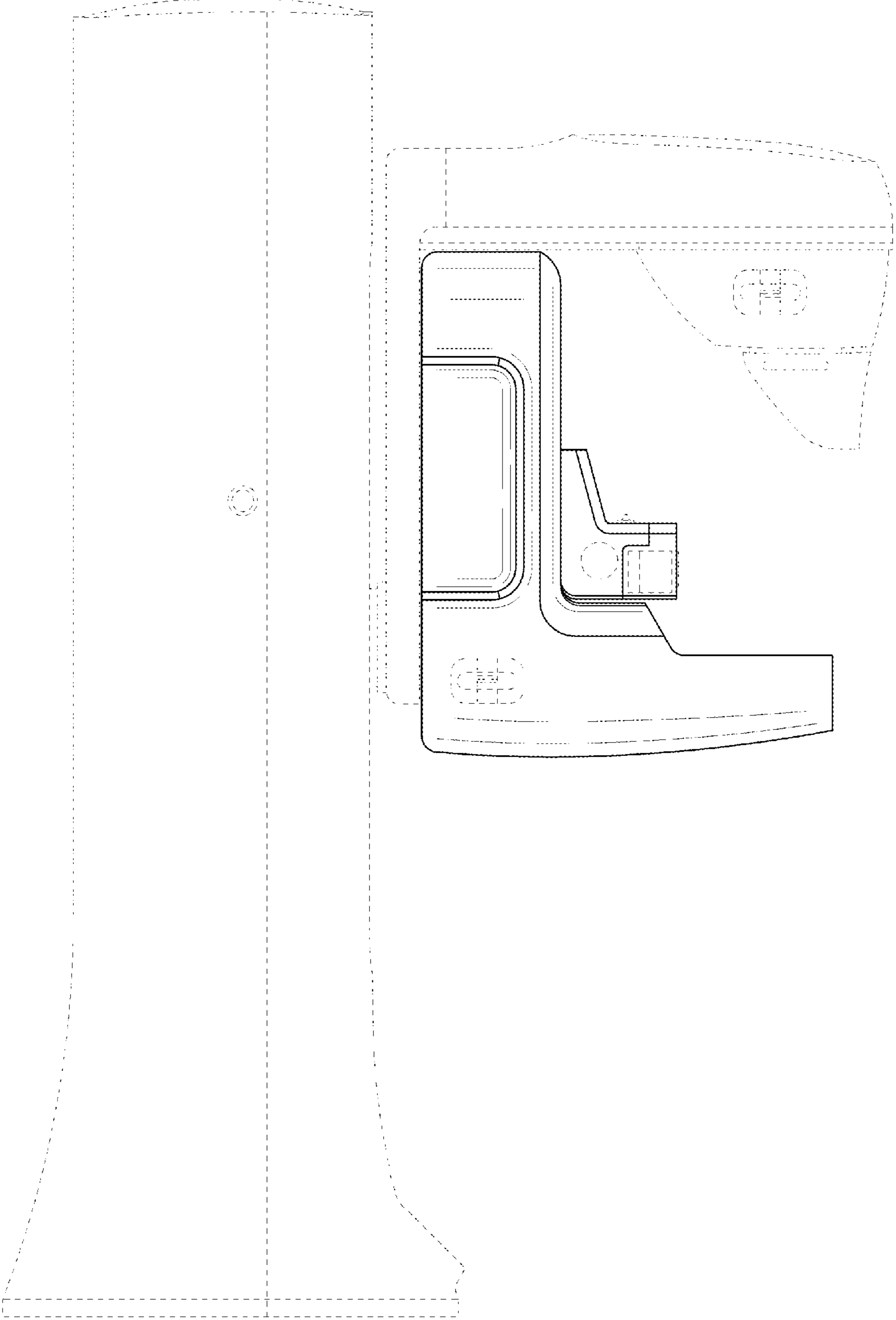


FIG.5

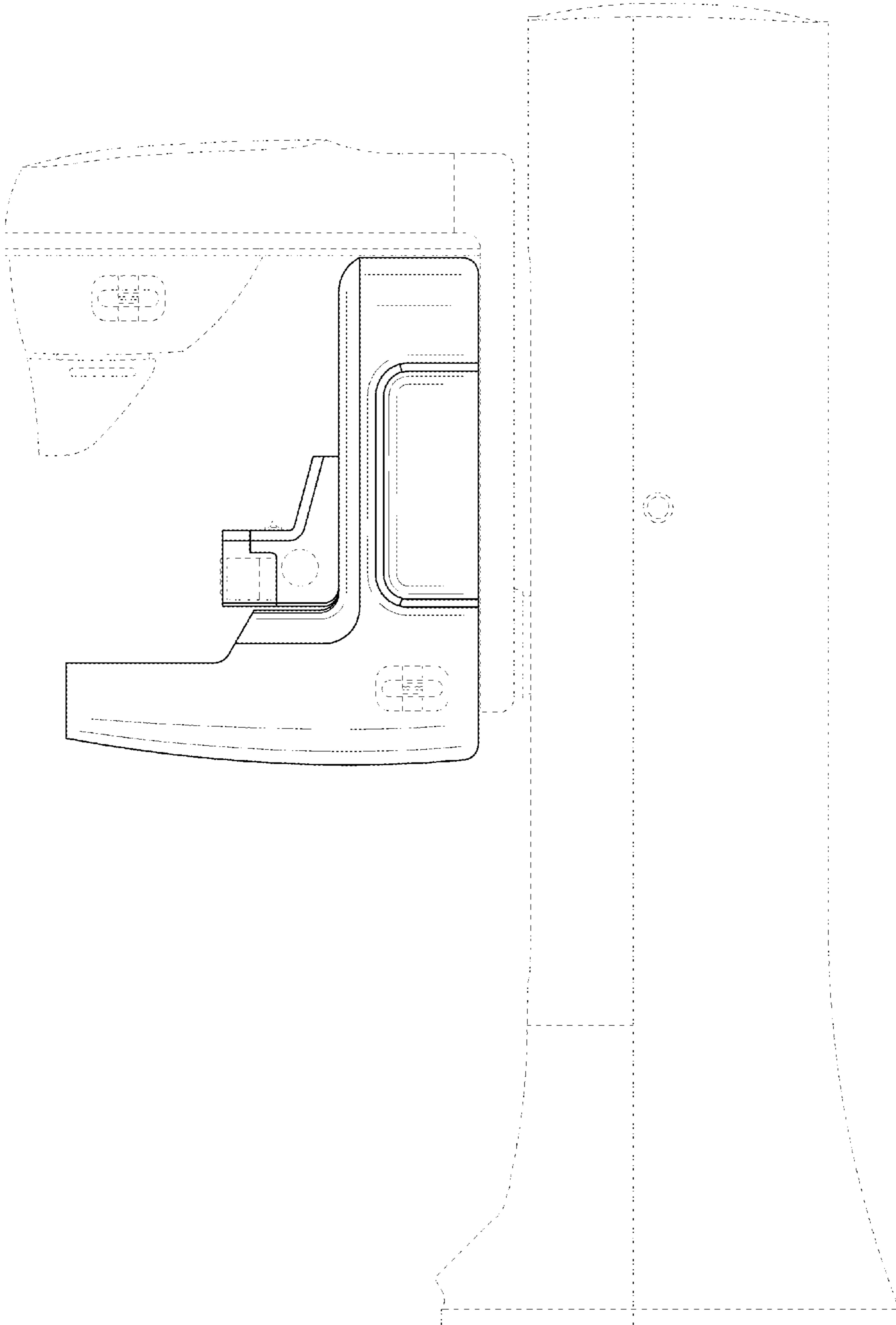


FIG.6

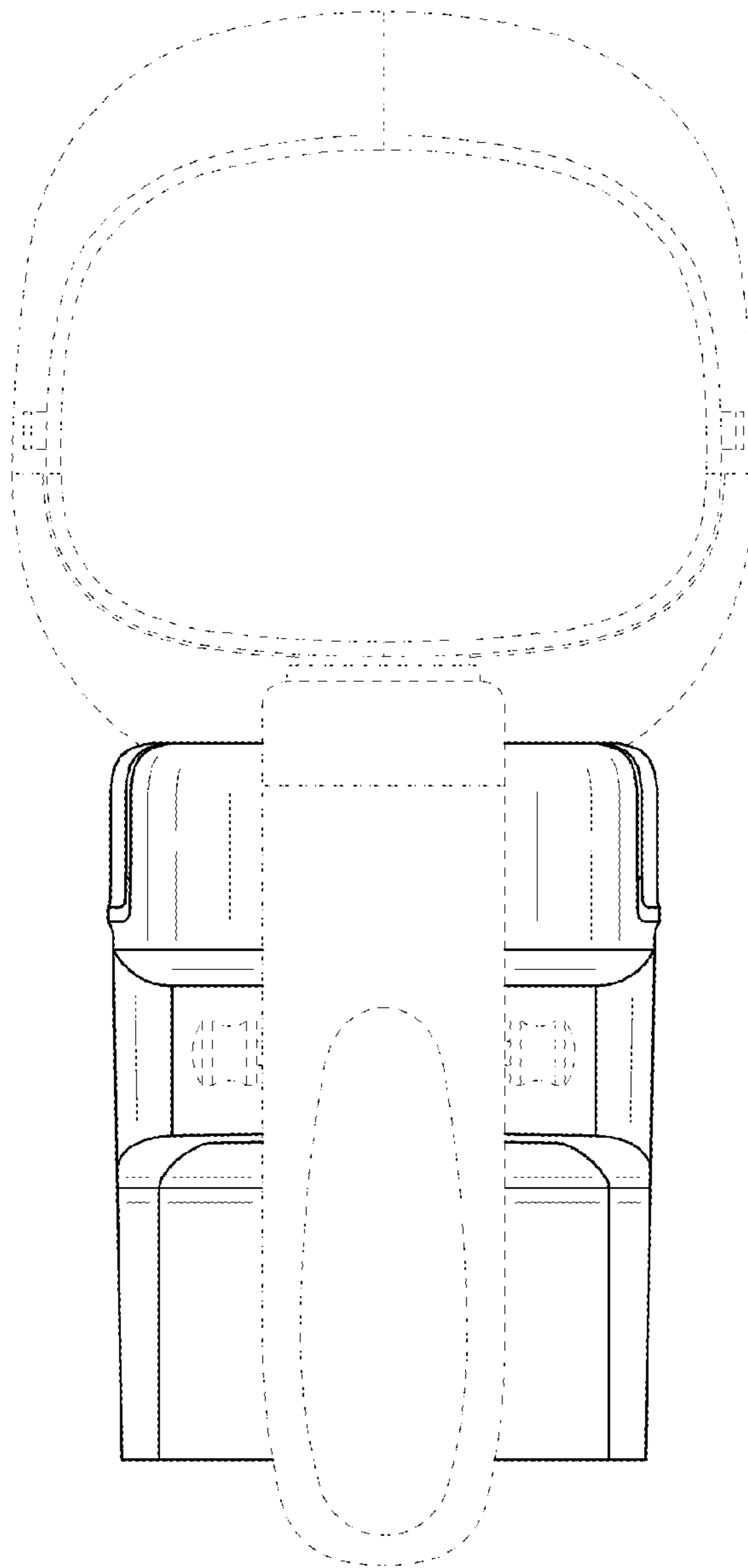


FIG.7

