

US00D766438S

(12) **United States Design Patent**  
**DaCosta**

(10) **Patent No.:** **US D766,438 S**

(45) **Date of Patent:** **\*\* Sep. 13, 2016**

(54) **SINGLE RAY BONE PLATE**

(71) Applicant: **Paragon 28, Inc.**, Englewood, CO (US)

(72) Inventor: **Albert DaCosta**, Lone Tree, CO (US)

(73) Assignee: **PARAGON 28, INC.**, Englewood, CO (US)

(\*\*) Term: **14 Years**

(21) Appl. No.: **29/520,413**

(22) Filed: **Mar. 13, 2015**

(51) **LOC (10) Cl.** ..... **24-02**

(52) **U.S. Cl.**  
USPC ..... **D24/155**

(58) **Field of Classification Search**

USPC ..... D24/155-157  
CPC ..... A61B 17/8061; A61B 17/7059; A61B 17/8052; A61B 17/8605; A61B 17/8085; A61B 17/809; A61B 17/8014; A61B 17/8033; A61B 17/8004; A61B 17/888; A61B 17/842; A61B 17/8023; A61B 17/8009; A61B 17/86; A61B 17/1739; A61B 17/8066; A61B 17/1671; A61B 17/1757; A61B 17/8071; A61B 17/176; A61B 2017/1782; A61B 2017/1775  
See application file for complete search history.

(56) **References Cited**

**U.S. PATENT DOCUMENTS**

D443,060 S \* 5/2001 Benirschke ..... D24/155  
D458,684 S \* 6/2002 Bryant ..... D24/155

(Continued)

*Primary Examiner* — Charles Hanson

(74) *Attorney, Agent, or Firm* — John W. Boger

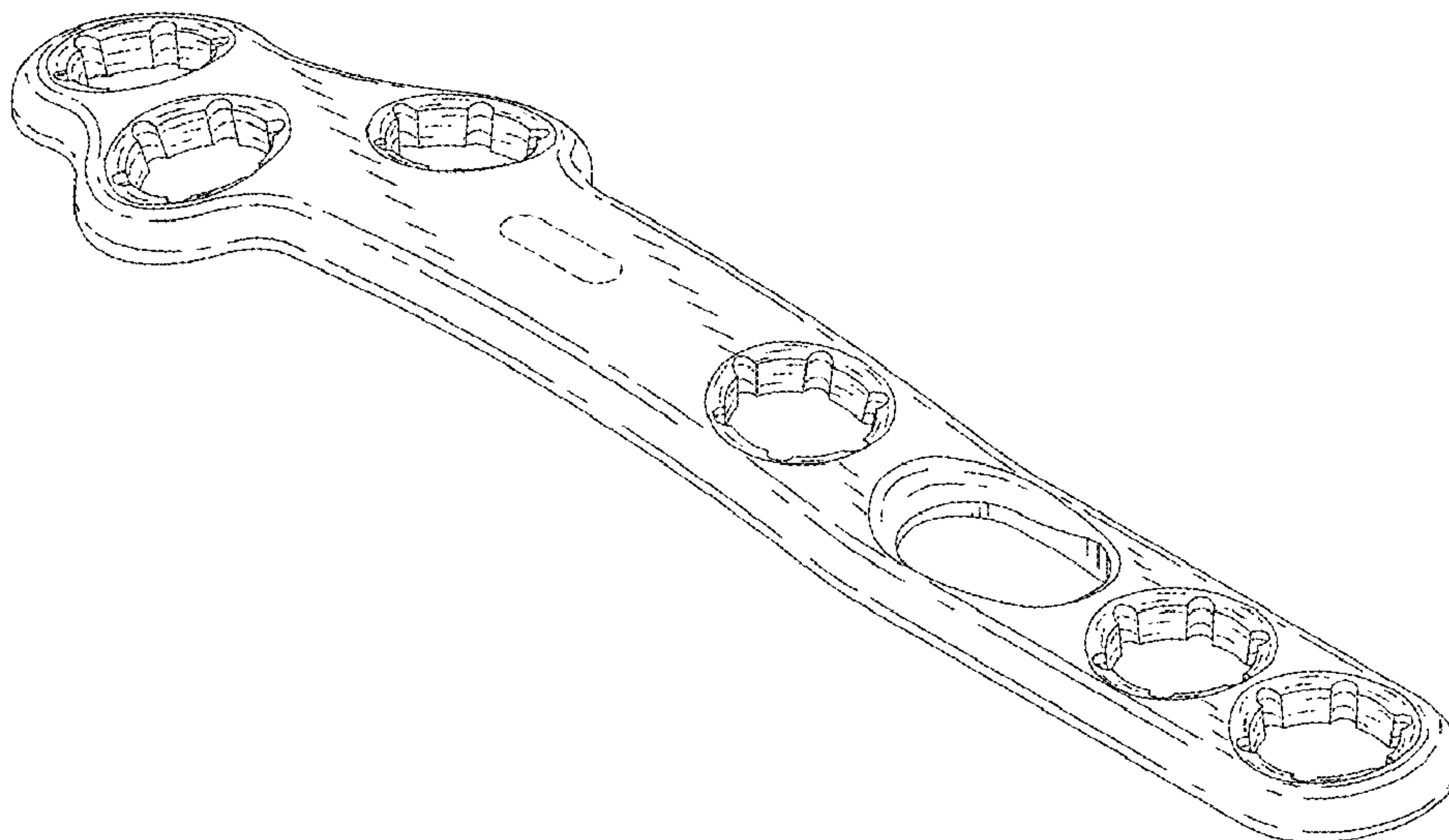
(57) **CLAIM**

The ornamental design for a single ray bone plate, as shown and described.

**DESCRIPTION**

FIG. 1 is a top perspective view of a single ray bone plate comprising the new design;  
FIG. 2 is a right elevational view of the design of FIG. 1;  
FIG. 3 is a left elevational view of the design of FIG. 1;  
FIG. 4 is a top view of the design of FIG. 1;  
FIG. 5 is a bottom view of the design of FIG. 1;  
FIG. 6 is a front elevational view of the design of FIG. 1; and  
FIG. 7 is a rear elevational view of the design of FIG. 1;  
FIG. 8 is a top perspective view of an alternative embodiment of the single ray bone plate of FIG. 1;  
FIG. 9 is a right elevational view of the design of FIG. 8;  
FIG. 10 is a left elevational view of the design of FIG. 8;  
FIG. 11 is a top view of the design of FIG. 8;  
FIG. 12 is a bottom view of the design of FIG. 8;  
FIG. 13 is a front elevational view of the design of FIG. 8; and  
FIG. 14 is a rear elevational view of the design of FIG. 8;  
FIG. 15 is a top perspective view of another alternative embodiment of the single ray bone plate of FIG. 1;  
FIG. 16 is a right elevational view of the design of FIG. 15;  
FIG. 17 is a left elevational view of the design of FIG. 15;  
FIG. 18 is a top view of the design of FIG. 15;  
FIG. 19 is a bottom view of the design of FIG. 15;  
FIG. 20 is a front elevational view of the design of FIG. 15; and  
FIG. 21 is a rear elevational view of the design of FIG. 15.  
The broken lines shown in the figures represent portion of the single ray bone plate that form no part of the claimed invention.

**1 Claim, 6 Drawing Sheets**



(56)

**References Cited**

U.S. PATENT DOCUMENTS

D463,559 S \* 9/2002 Bryant ..... D24/155  
D469,533 S \* 1/2003 Bryant ..... D24/155  
D469,874 S \* 2/2003 Bryant ..... D24/155  
D469,875 S \* 2/2003 Bryant ..... D24/155  
D480,141 S \* 9/2003 Benirschke ..... D24/155  
7,655,029 B2 \* 2/2010 Niederberger ..... A61B 17/8057  
606/280

D622,853 S \* 8/2010 Raven, III ..... D24/155  
7,846,189 B2 \* 12/2010 Winqvist ..... A61B 17/8085  
606/280  
D630,750 S \* 1/2011 Graham ..... D24/155  
8,460,344 B2 \* 6/2013 Niederberger ..... A61B 17/8057  
606/280  
8,740,905 B2 \* 6/2014 Price ..... A61B 17/1728  
606/71

\* cited by examiner

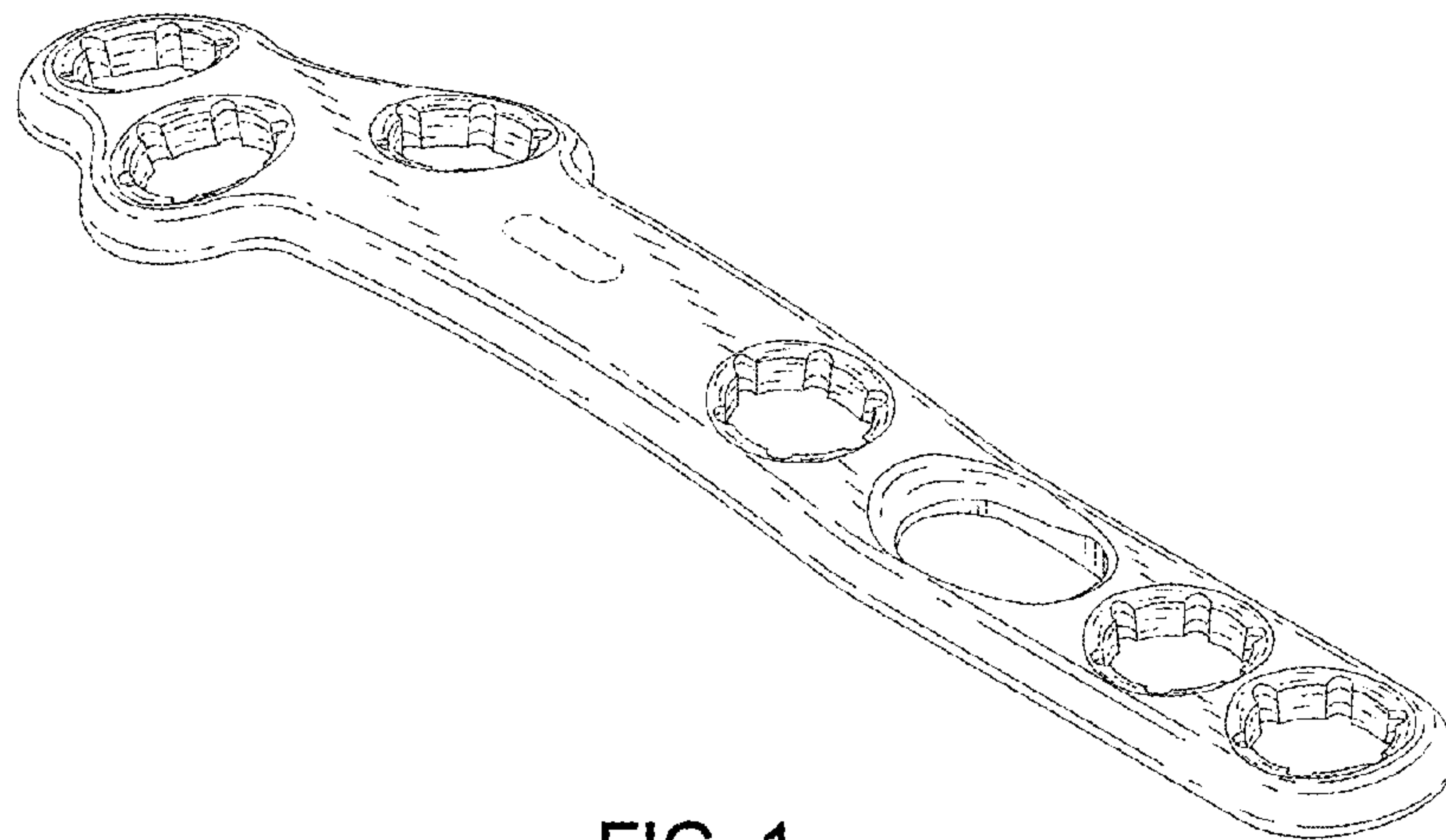


FIG. 1



FIG. 2



FIG. 3

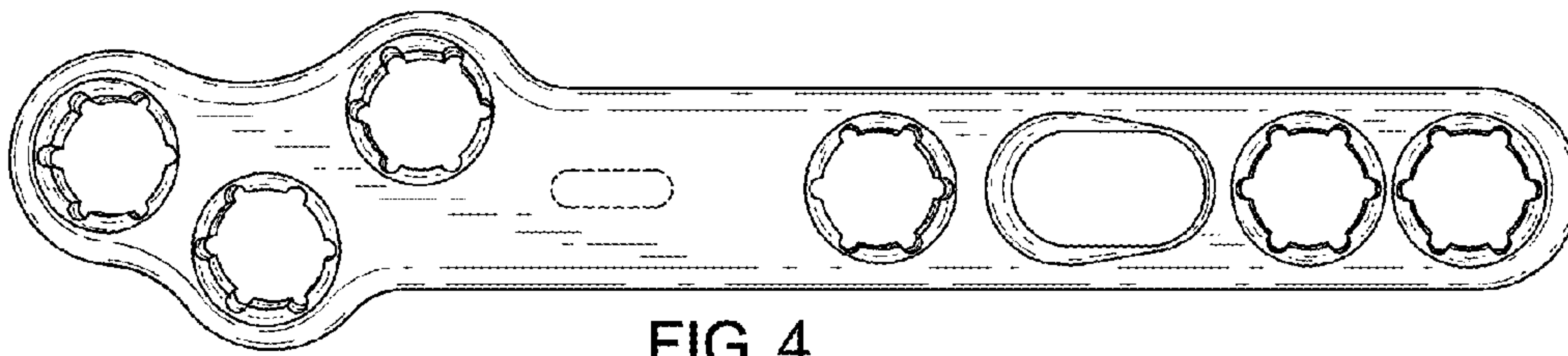


FIG. 4

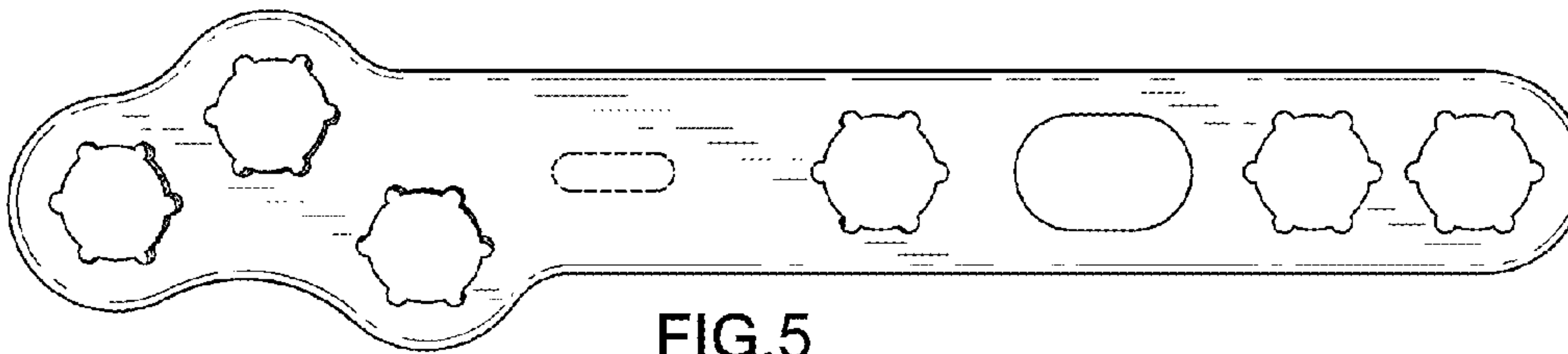


FIG. 5

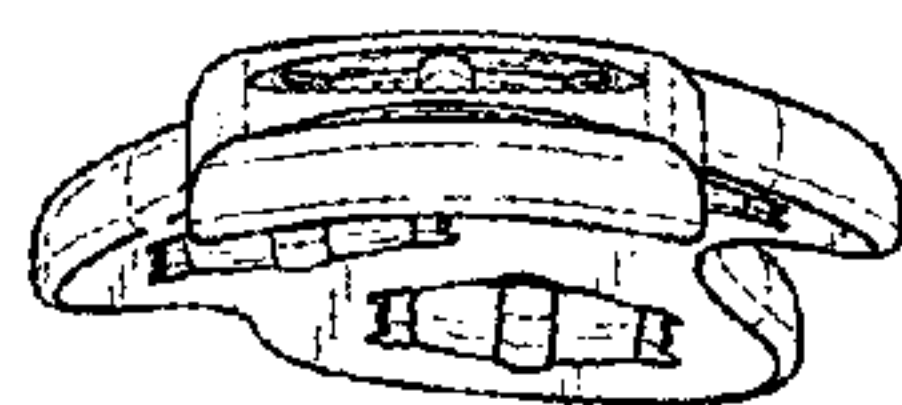


FIG. 6

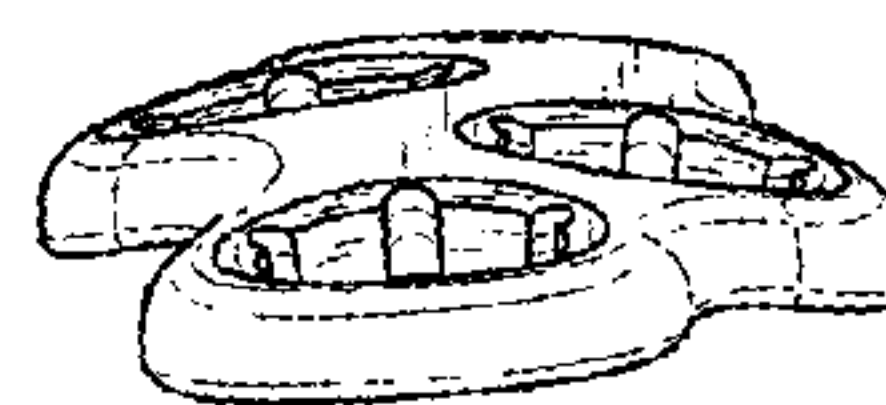


FIG. 7

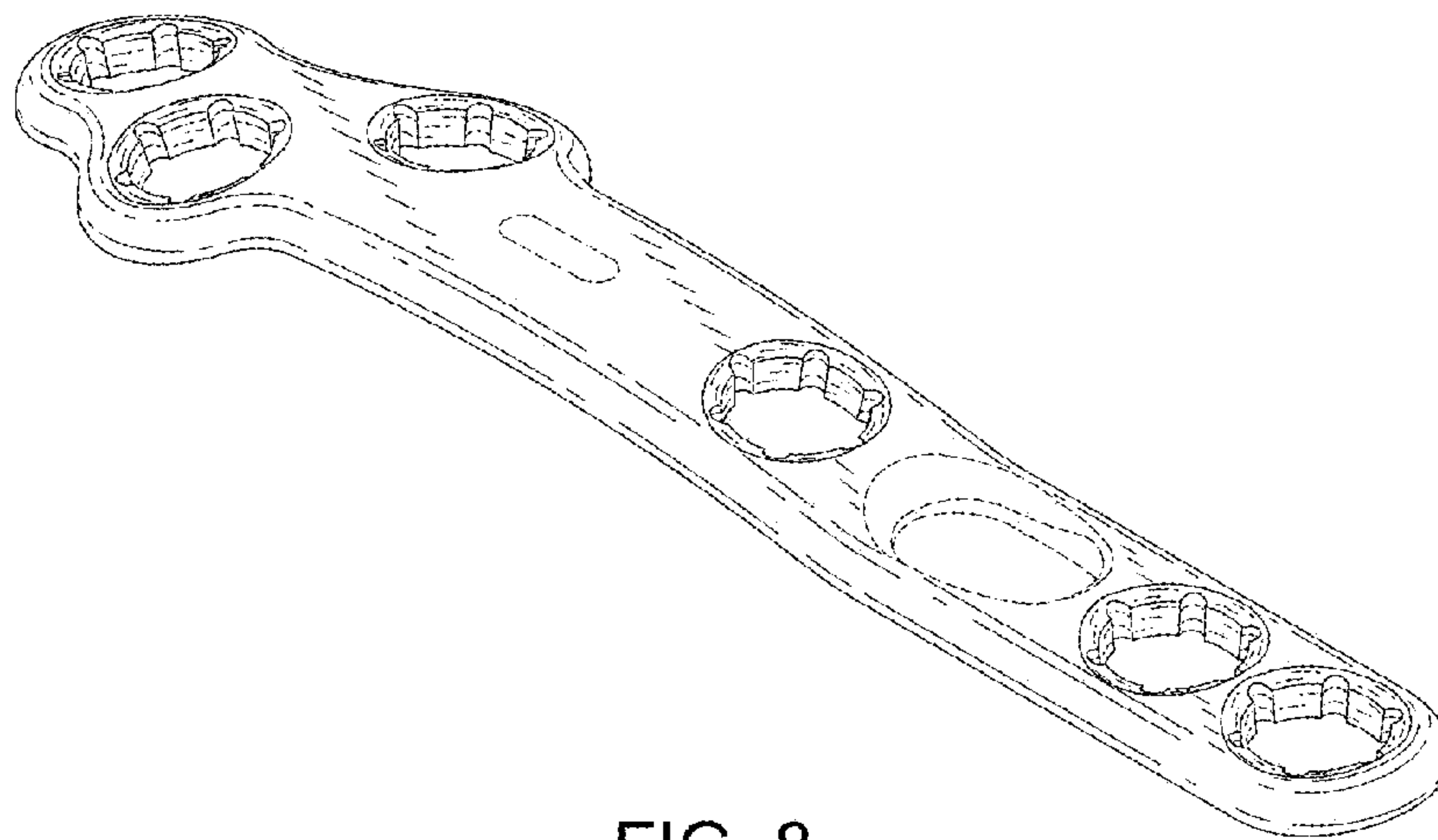


FIG. 8



FIG. 9



FIG. 10



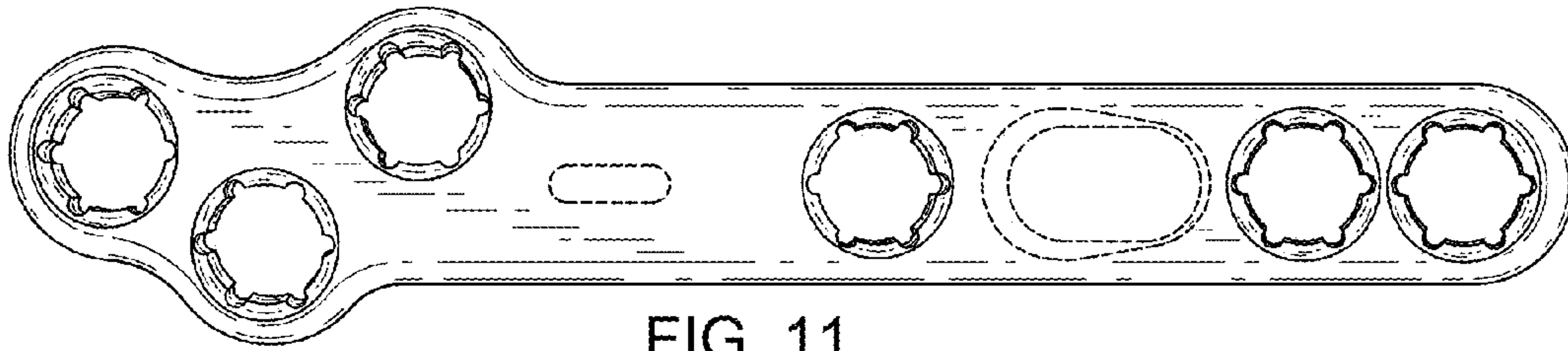


FIG. 11

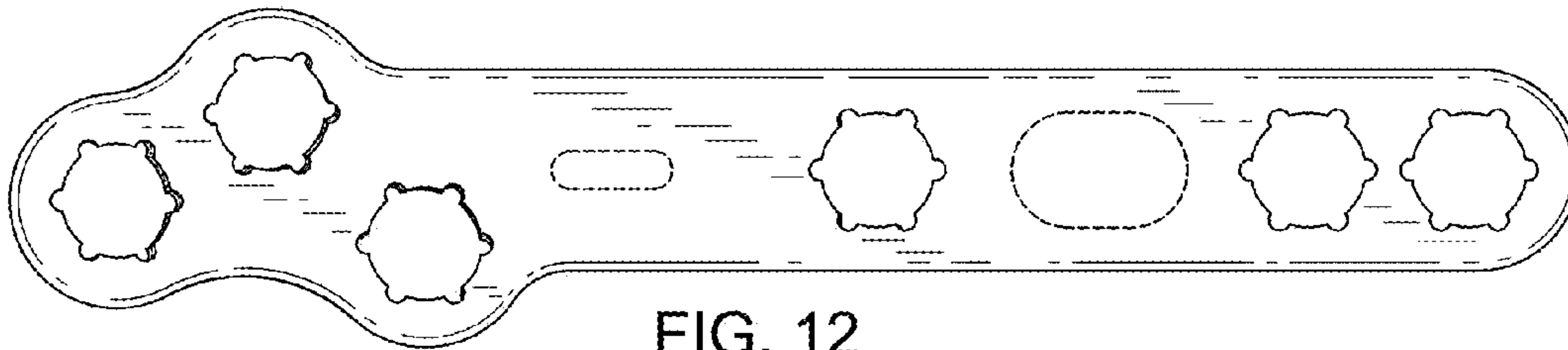


FIG. 12

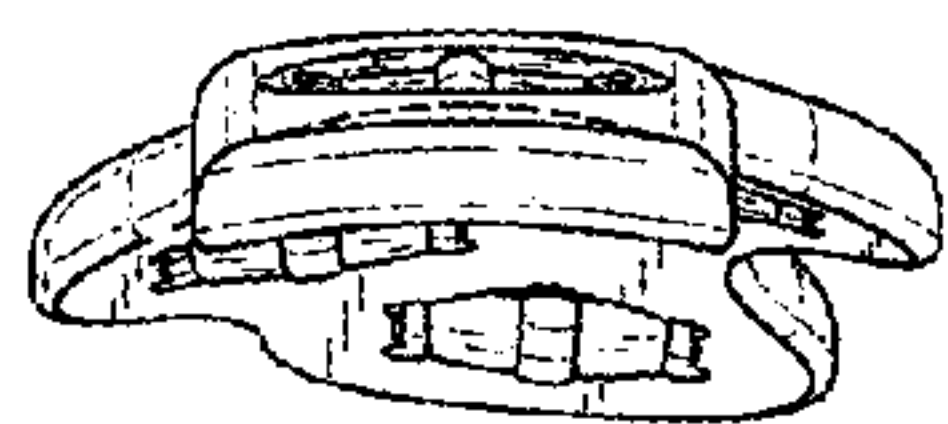


FIG. 13

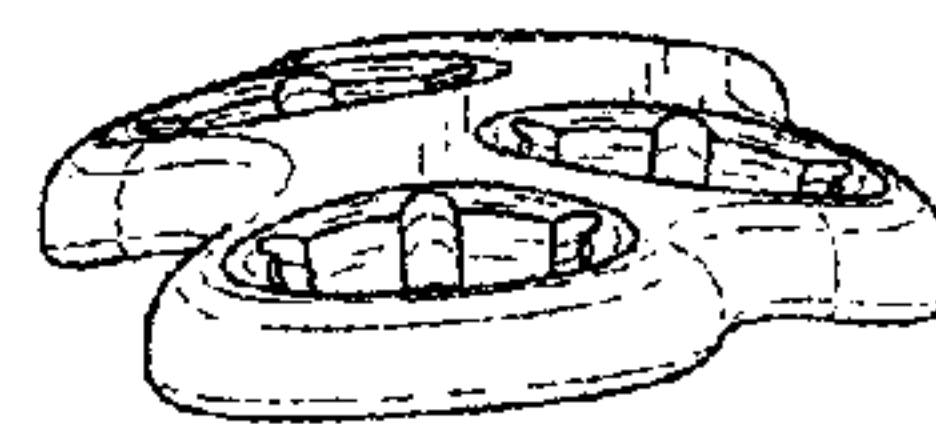


FIG. 14

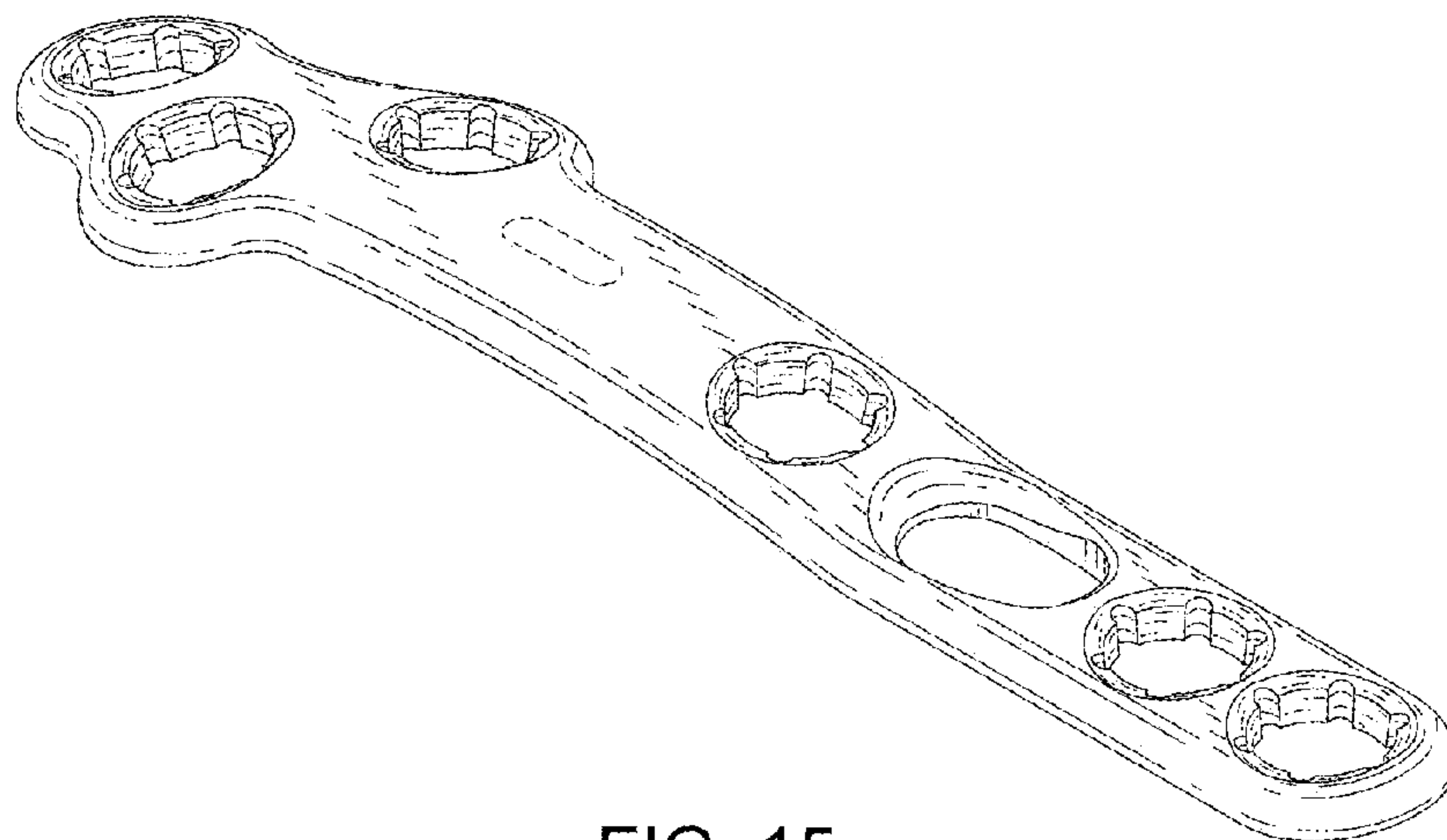


FIG. 15



FIG. 16



FIG. 17

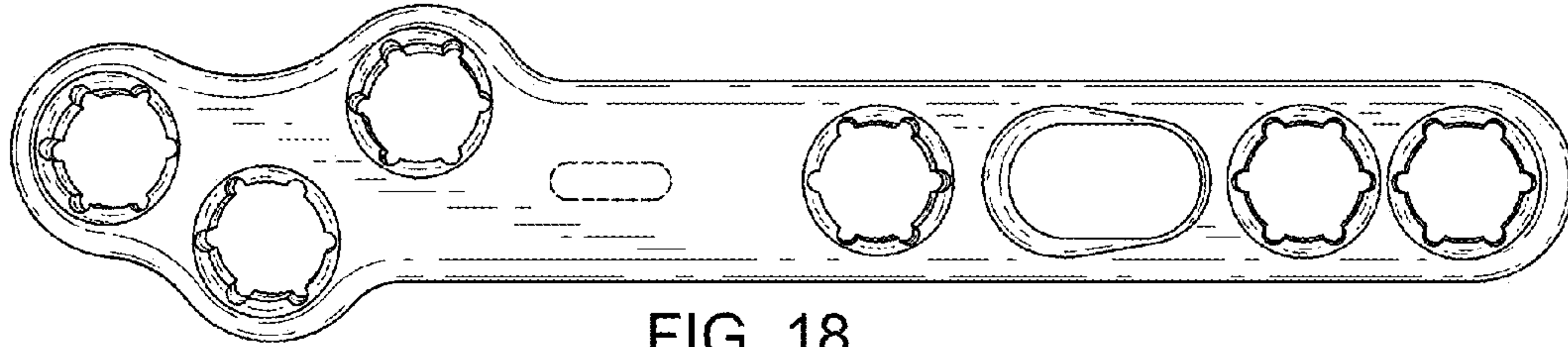


FIG. 18

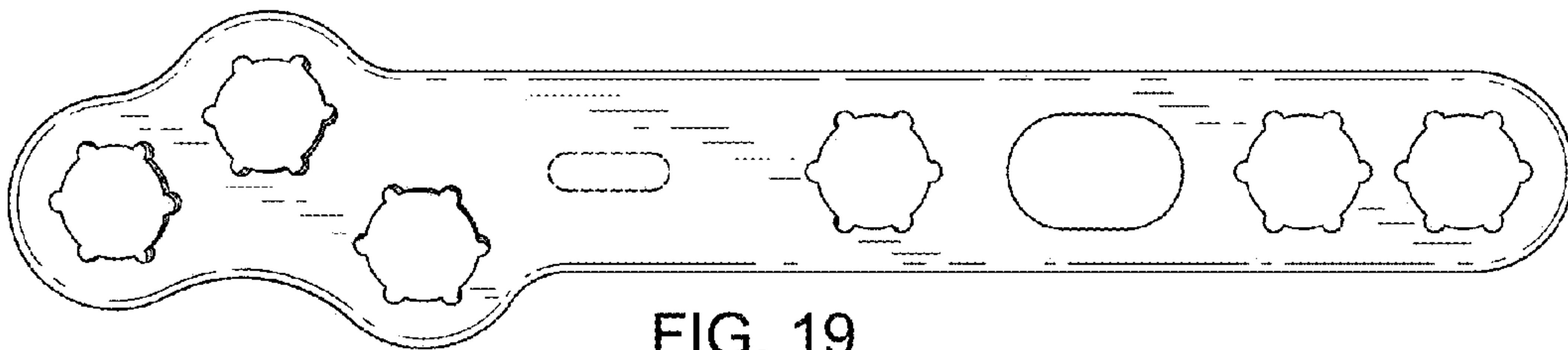


FIG. 19

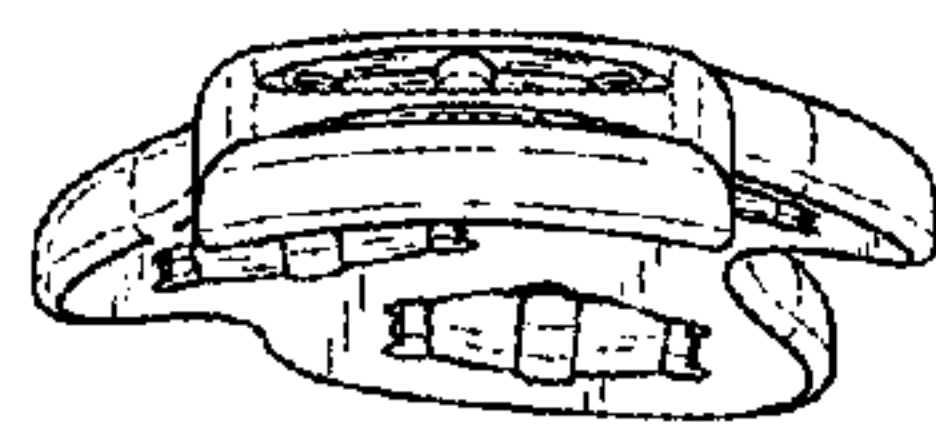


FIG. 20

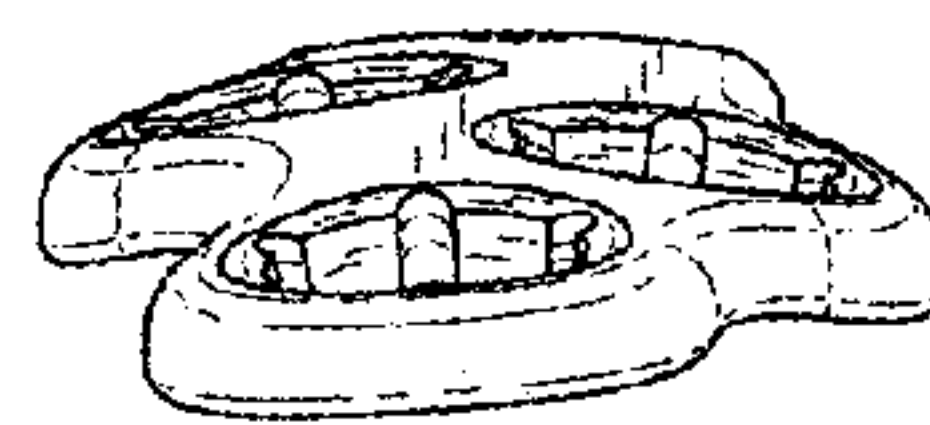


FIG. 21