



US00D766436S

(12) **United States Design Patent** (10) **Patent No.:** **US D766,436 S**
Farrugia et al. (45) **Date of Patent:** **** Sep. 13, 2016**

(54) **RIB BRIDGE**

(71) Applicant: **University of Malta**, Msida (MT)
(72) Inventors: **Philip Farrugia**, Attard (MT); **Aaron Casha**, Attard (MT); **Quinton Calleja**, Msida (MT)
(73) Assignee: **University of Malta**, Msida (MT)
(**) Term: **14 Years**
(21) Appl. No.: **29/519,235**
(22) Filed: **Mar. 3, 2015**

(30) **Foreign Application Priority Data**

Sep. 4, 2014 (EM) 001420863-0001

(51) **LOC (10) Cl.** **24-02**

(52) **U.S. Cl.**
USPC **D24/155**

(58) **Field of Classification Search**
USPC D24/155, 156
CPC A61F 2/4611; A61F 2/442; A61F 2/447; A61F 2/28; A61F 2220/0025; A61F 2310/00023; A61F 2310/00017; A61F 2002/4475; A61F 2002/30841; A61F 2002/2835; A61F 2002/30904; A61F 2002/30785; A61F 2002/443; A61F 2002/30578; A61B 17/8076; A61B 17/8085; A61B 17/80; A61B 17/8023; A61B 17/823; A61B 17/68; A61B 17/8061; Y10S 606/905

See application file for complete search history.

(56) **References Cited**

U.S. PATENT DOCUMENTS

7,635,365	B2 *	12/2009	Ellis	A61B 17/8076
				606/71
9,237,910	B2 *	1/2016	Seykora	A61B 17/8076
2006/0085000	A1 *	4/2006	Mohr	A61B 17/8076
				606/281
2008/0082101	A1 *	4/2008	Reisberg	A61B 17/8076
				606/60
2011/0106182	A1 *	5/2011	Reisberg	A61B 17/8076
				606/324
2012/0296440	A1 *	11/2012	Choux	A61B 17/68
				623/23.52
2013/0116693	A1 *	5/2013	Nelson	A61B 17/7233
				606/64
2014/0163691	A1 *	6/2014	Dartevelle	A61B 17/8076
				623/23.53
2014/0207197	A1 *	7/2014	Reisberg	A61B 17/8872
				606/324
2016/0066969	A1 *	3/2016	Reuter	A61B 17/1728
				606/71

* cited by examiner

Primary Examiner — Charles Hanson

(74) *Attorney, Agent, or Firm* — Harness, Dickey & Pierce, P.L.C.

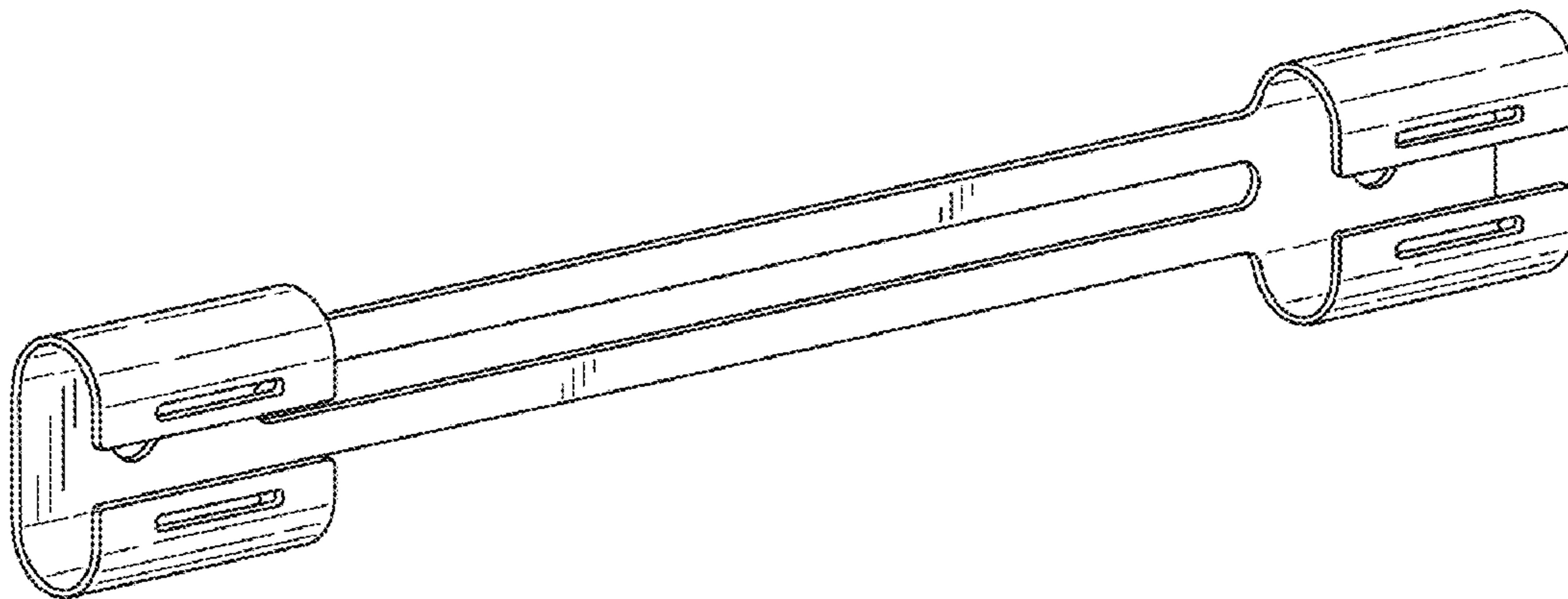
(57) **CLAIM**

The ornamental design for a rib bridge, as shown and described.

DESCRIPTION

FIG. 1 is a front, left, perspective view of the rib bridge of the present invention; FIG. 2 is a front view of the rib bridge shown in FIG. 1; and, FIG. 3 is a back view of the rib bridge shown in FIG. 1.

1 Claim, 3 Drawing Sheets



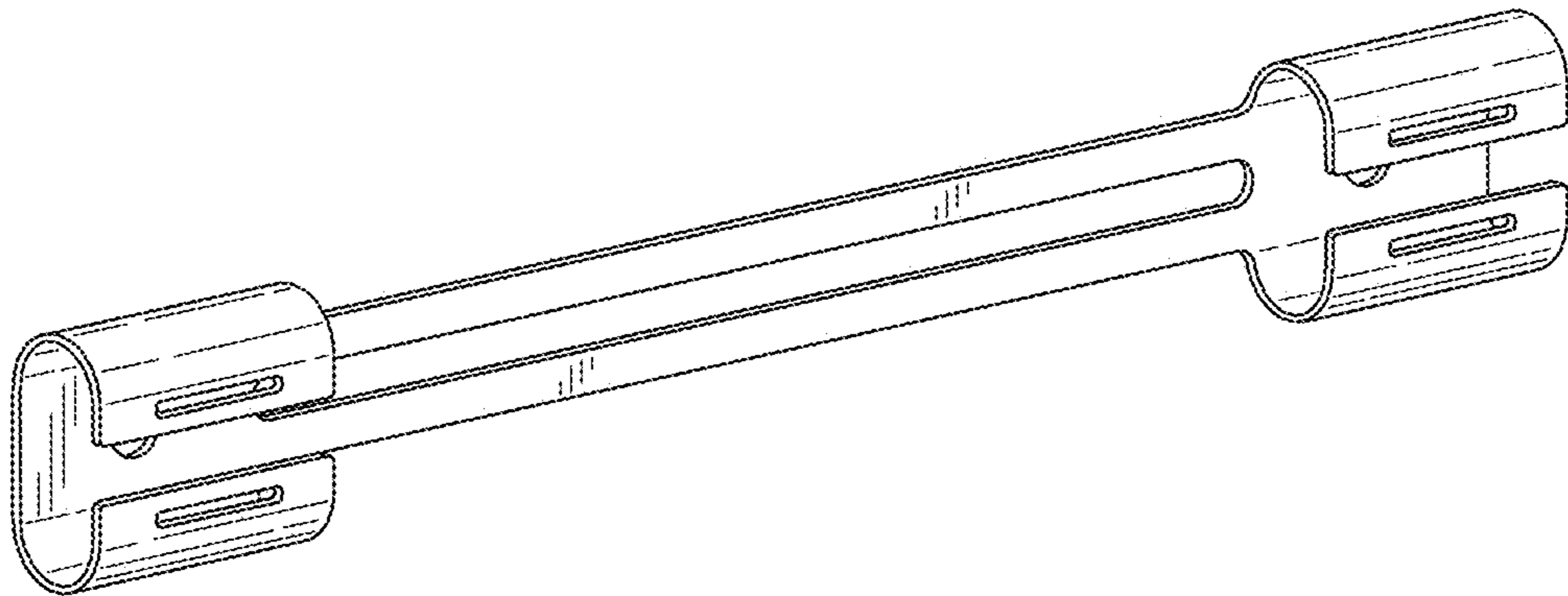


FIG. 1

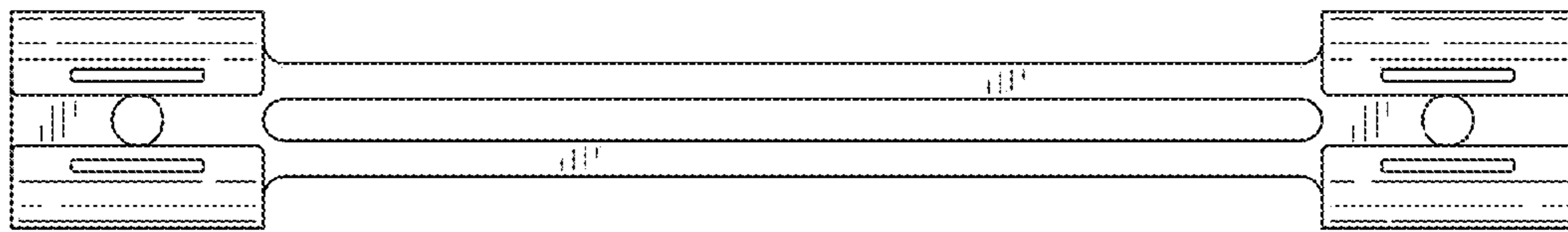


FIG. 2

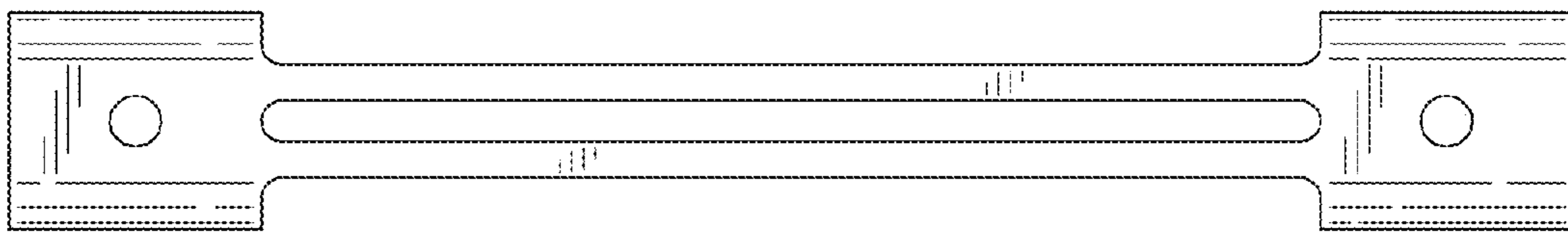


FIG. 3