



US00D766434S

(12) **United States Design Patent**
DaCosta

(10) **Patent No.:** **US D766,434 S**

(45) **Date of Patent:** **** Sep. 13, 2016**

(54) **BONE PLATE**

(71) Applicant: **Paragon 28, Inc.**, Englewood, CO (US)

(72) Inventor: **Albert DaCosta**, Lone Tree, CO (US)

(73) Assignee: **PARAGON 28, INC.**, Englewood, CO (US)

(**) Term: **14 Years**

(21) Appl. No.: **29/507,070**

(22) Filed: **Oct. 23, 2014**

(51) **LOC (10) Cl.** **24-02**

(52) **U.S. Cl.**
USPC **D24/155**

(58) **Field of Classification Search**
USPC D24/155-157
CPC A61B 17/8061; A61B 17/7059; A61B 17/8052; A61B 17/8605; A61B 17/8085; A61B 17/809; A61B 17/8014; A61B 17/8033; A61B 17/8004; A61B 17/888; A61B 17/842; A61B 17/8023; A61B 17/8009; A61B 17/86; A61B 17/17; A61B 17/39; A61B 17/8066; A61B 17/1671; A61B 17/1757; A61B 17/8071; A61B 17/176; A61B 2017/1782; A61B 2017/1775

See application file for complete search history.

(56) **References Cited**

U.S. PATENT DOCUMENTS

D520,637 S *	5/2006	Kay	D24/155
D648,027 S *	11/2011	Vancelette	D24/155
8,118,846 B2 *	2/2012	Leither	A61B 17/8057 606/280
D699,351 S *	2/2014	Podgorski	D24/155

* cited by examiner

Primary Examiner — Charles Hanson

(74) *Attorney, Agent, or Firm* — John W. Boger

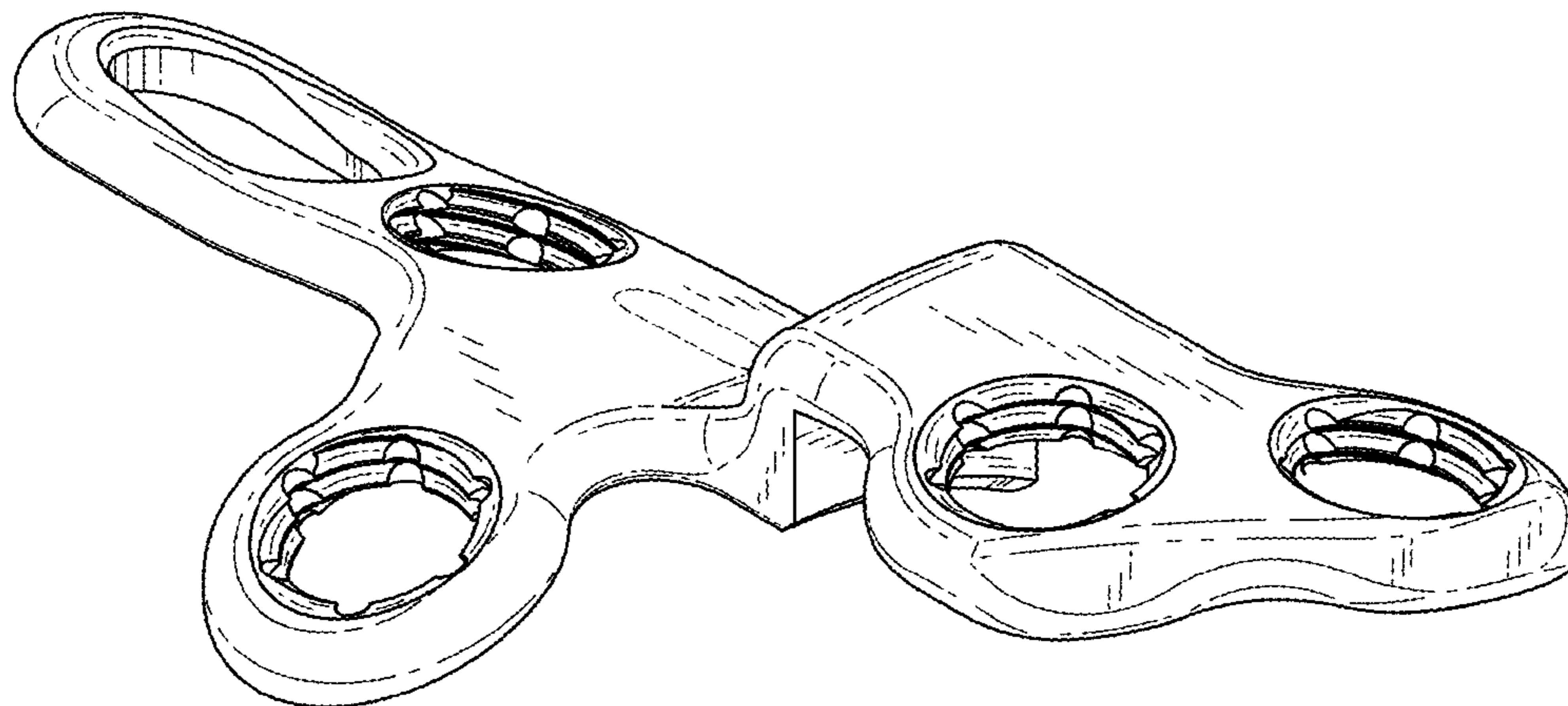
(57) **CLAIM**

The ornamental design for a bone plate, as shown and described.

DESCRIPTION

FIG. 1 is a top perspective view of a bone plate comprising the new design;
FIG. 2 is a right elevational view of the design of FIG. 1;
FIG. 3 is a left elevational view of the design of FIG. 1;
FIG. 4 is a top view of the design of FIG. 1;
FIG. 5 is a bottom view of the design of FIG. 1;
FIG. 6 is a rear elevational view of the design of FIG. 1; and,
FIG. 7 is a front elevational view of the design of FIG. 1.
The broken lines in the figures are directed to the environment and are for illustrative purposes only; the broken lines form no part of the claimed invention.

1 Claim, 2 Drawing Sheets



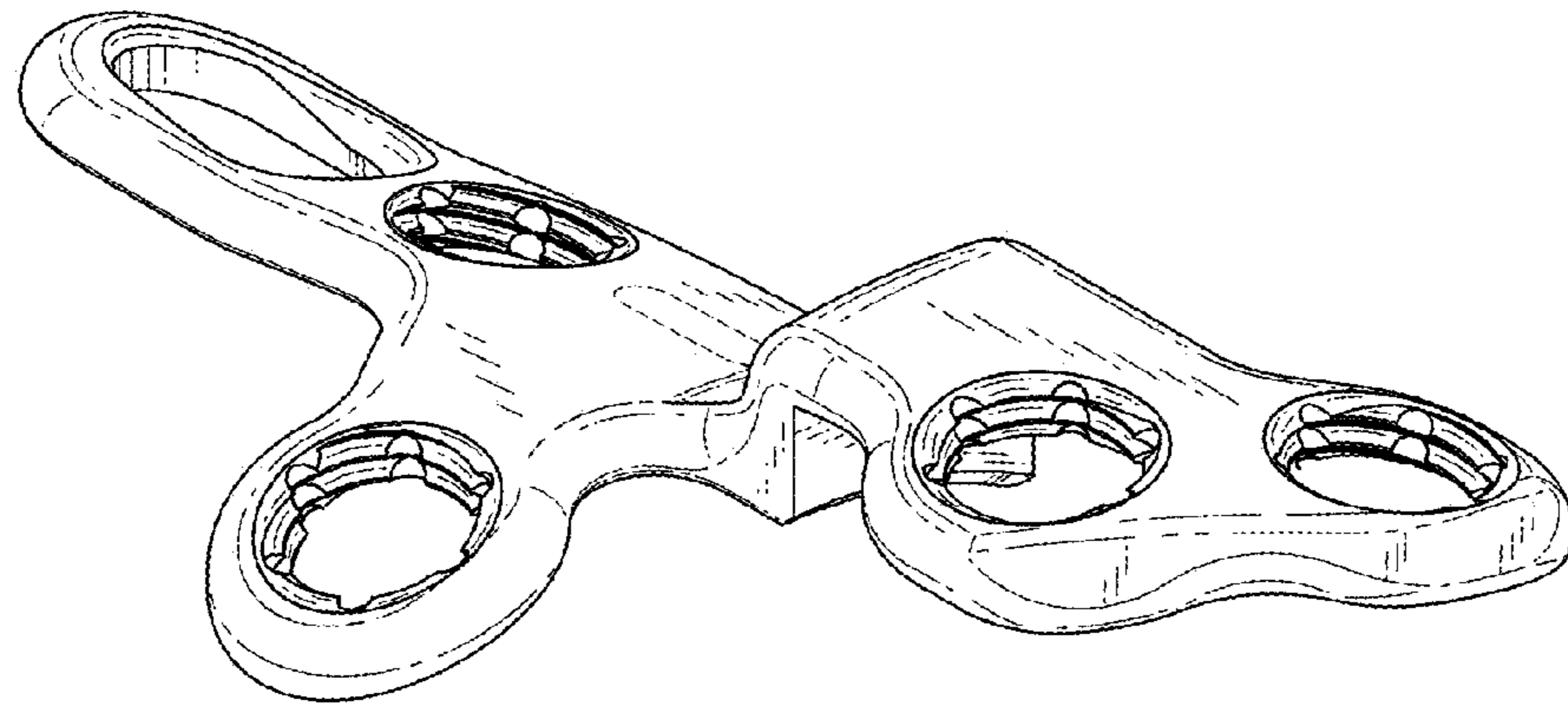


FIG. 1

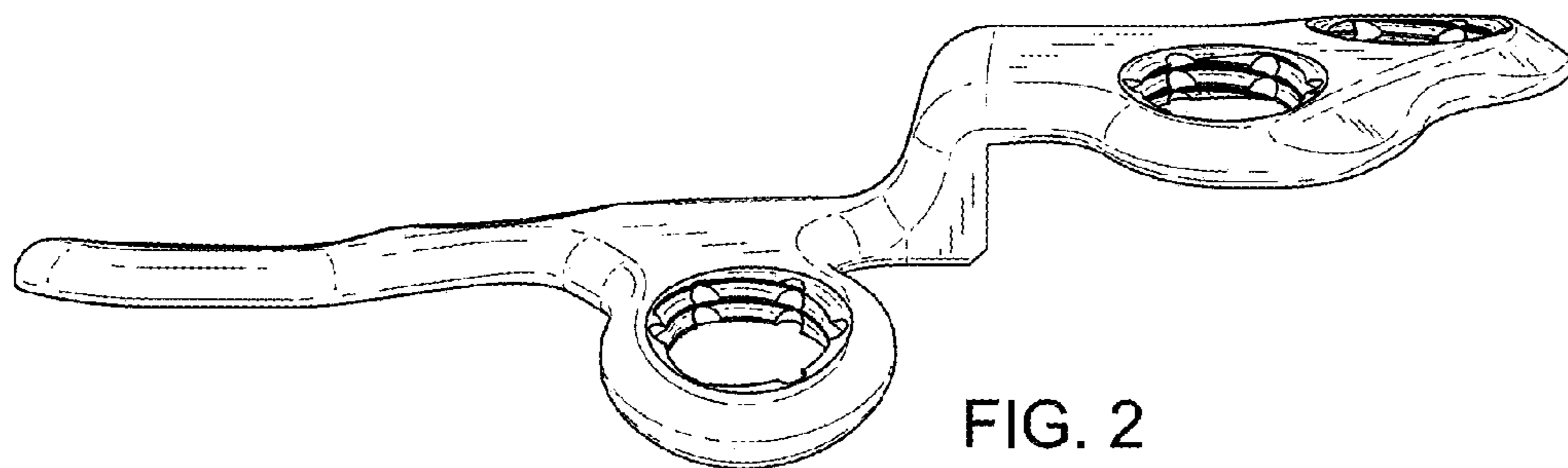


FIG. 2

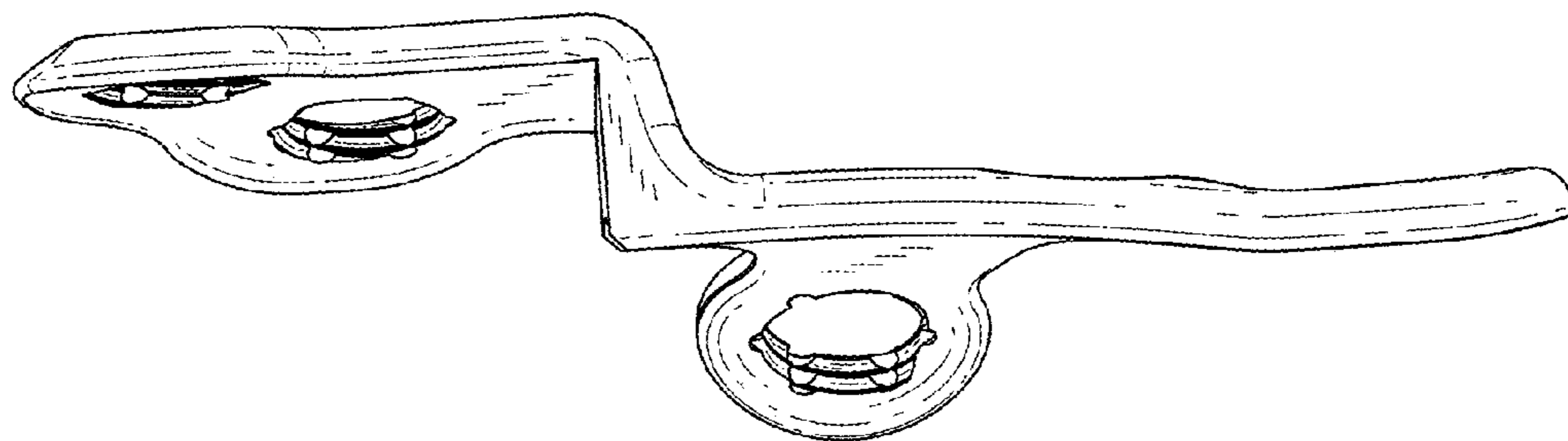


FIG. 3

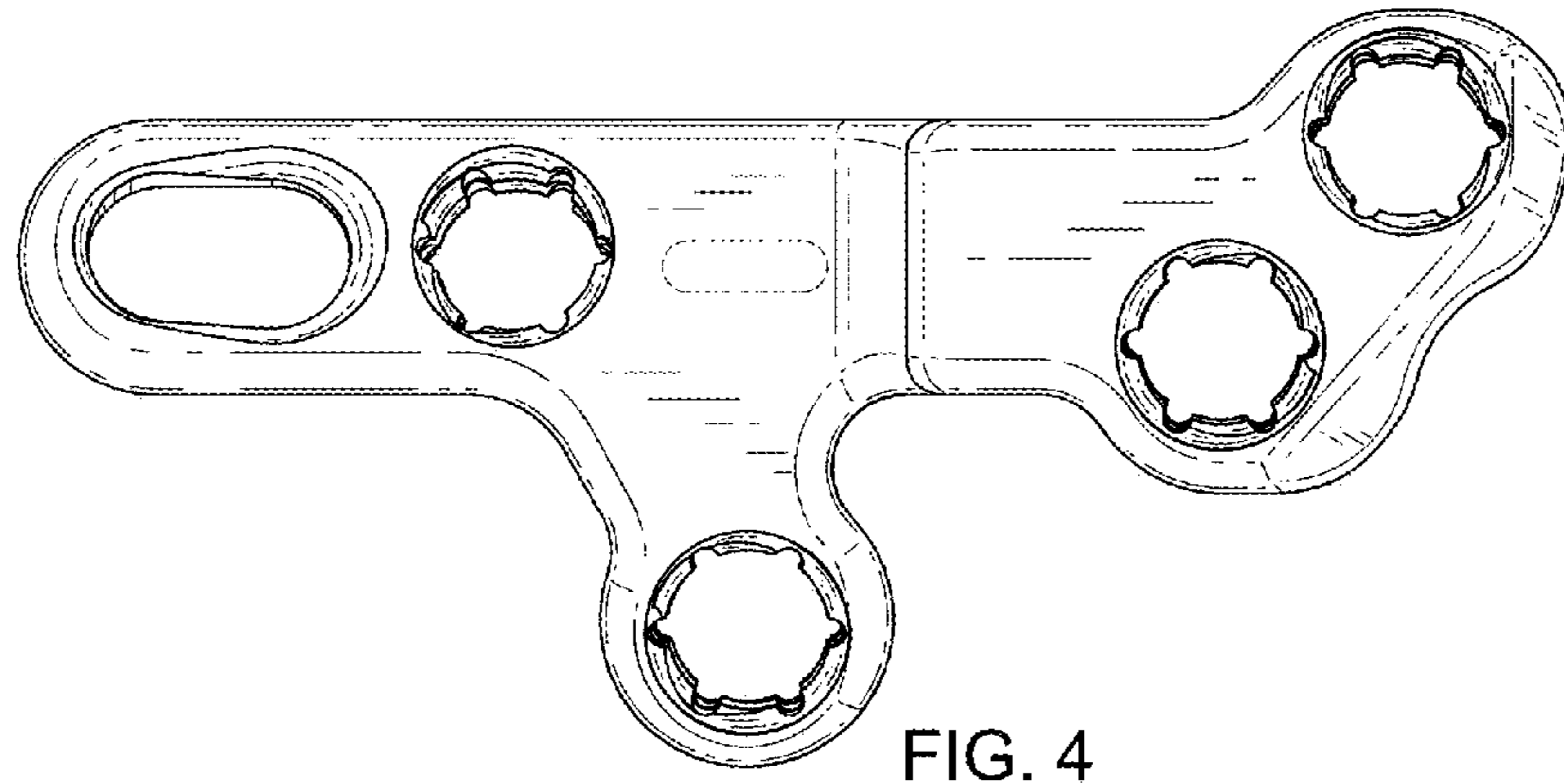


FIG. 4

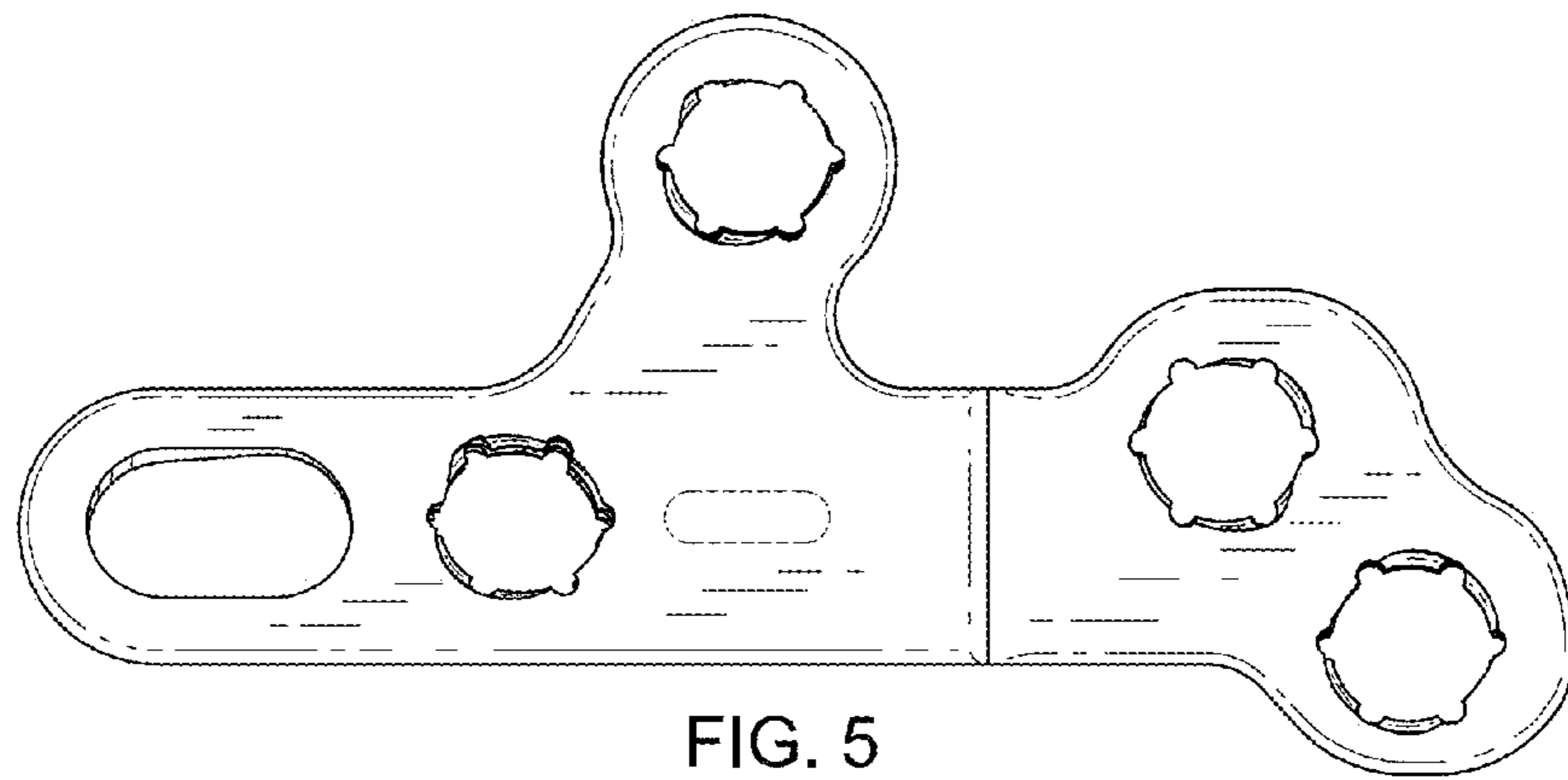


FIG. 5

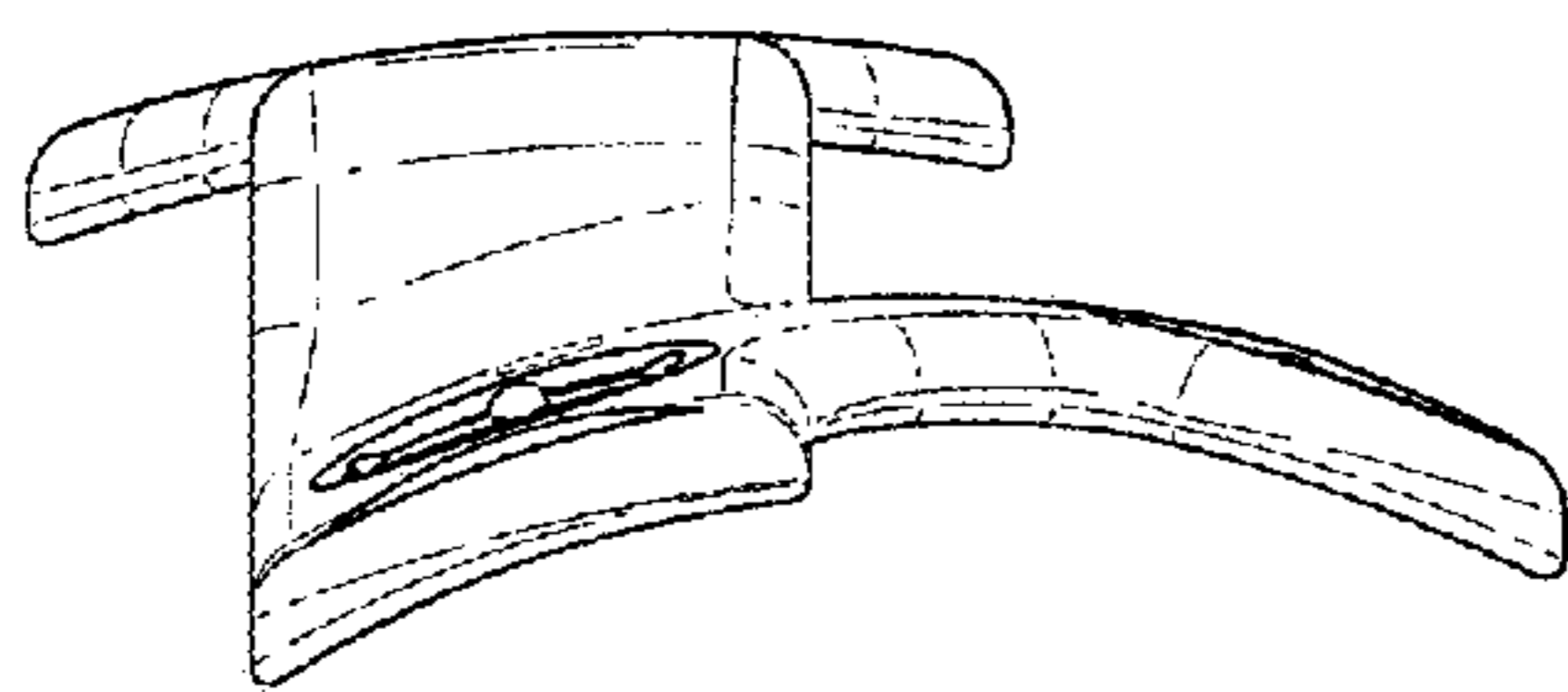


FIG. 6

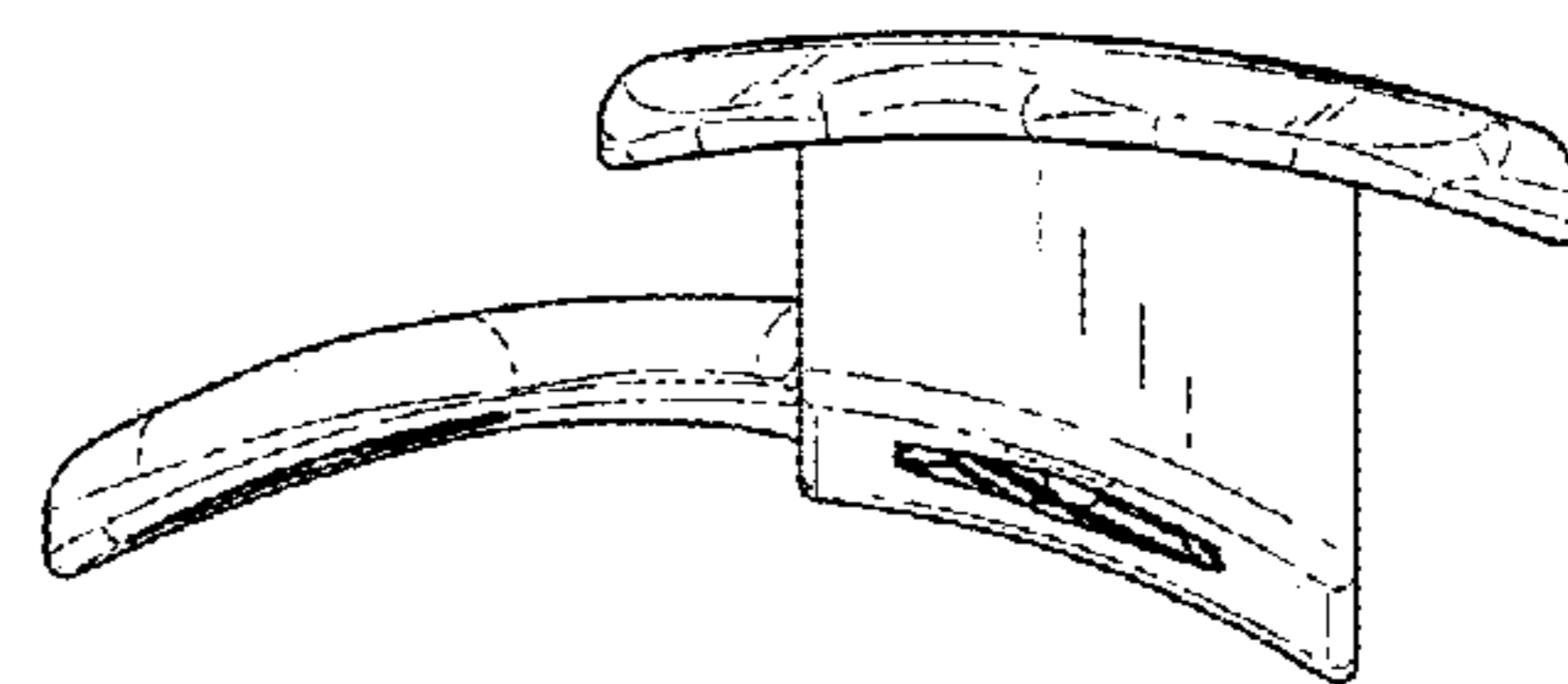


FIG. 7