

US00D766432S

(12) **United States Design Patent**  
**Schuerg**

(10) **Patent No.:** **US D766,432 S**

(45) **Date of Patent:** **\*\* Sep. 13, 2016**

(54) **HAND GRIP**

(71) Applicant: **Erbe Elektromedizin GmbH**,  
Tuebingen (DE)

(72) Inventor: **Peter Schuerg**, Moessingen (DE)

(73) Assignee: **ERBE ELEKTROMEDIZIN GMBH**,  
Tuebingen (DE)

(\*\*) Term: **14 Years**

(21) Appl. No.: **29/475,712**

(22) Filed: **Dec. 5, 2013**

(30) **Foreign Application Priority Data**

Jun. 5, 2013 (EM) ..... 002249672

(51) **LOC (10) Cl.** ..... **24-02**

(52) **U.S. Cl.**  
USPC ..... **D24/144**

(58) **Field of Classification Search**  
USPC ..... D24/133, 144, 147; 606/1, 42, 45, 41,  
606/49  
CPC ..... A61B 18/1402; A61B 18/14; A61B  
18/1477; A61B 2018/00708  
See application file for complete search history.

(56) **References Cited**

**U.S. PATENT DOCUMENTS**

5,282,799 A \* 2/1994 Rydell ..... 606/48  
5,800,431 A \* 9/1998 Brown ..... 606/42  
D402,030 S \* 12/1998 Roberts et al. .... D24/144

6,258,088 B1 \* 7/2001 Tzonev et al. .... 606/42  
6,402,748 B1 \* 6/2002 Schoenman et al. .... 606/45  
D547,867 S \* 7/2007 Malis et al. .... D24/144  
D549,325 S \* 8/2007 Schnitzler et al. .... D24/133  
7,503,917 B2 \* 3/2009 Sartor et al. .... 606/45  
8,690,872 B2 \* 4/2014 Jayaraj ..... 606/41  
2011/0092971 A1 \* 4/2011 Sartor et al. .... 606/42

\* cited by examiner

*Primary Examiner* — Wan Laymon

(74) *Attorney, Agent, or Firm* — Fitch, Even, Tabin &  
Flannery LLP

(57) **CLAIM**

I claim the ornamental design for a hand grip, as shown and  
described.

**DESCRIPTION**

FIG. 1 is a front perspective view of a hand grip in  
accordance with my new design;  
FIG. 2 is a top plan view of the hand grip of FIG. 1;  
FIG. 3 is a left side elevational view of the hand grip of FIG.  
1, the right side elevational view being a mirror image  
thereof;  
FIG. 4 is an enlarged front elevational view of the hand grip  
of FIG. 1;  
FIG. 5 is an enlarged rear elevational view of the hand grip  
of FIG. 1;  
FIG. 6 is a bottom plan view of the hand grip of FIG. 1; and,  
FIG. 7 is a front perspective view of a hand grip in  
accordance with a second embodiment of my new design.  
The broken lines shown in the figures represent portions of  
the hand grip that form no part of the claimed design.

**1 Claim, 4 Drawing Sheets**

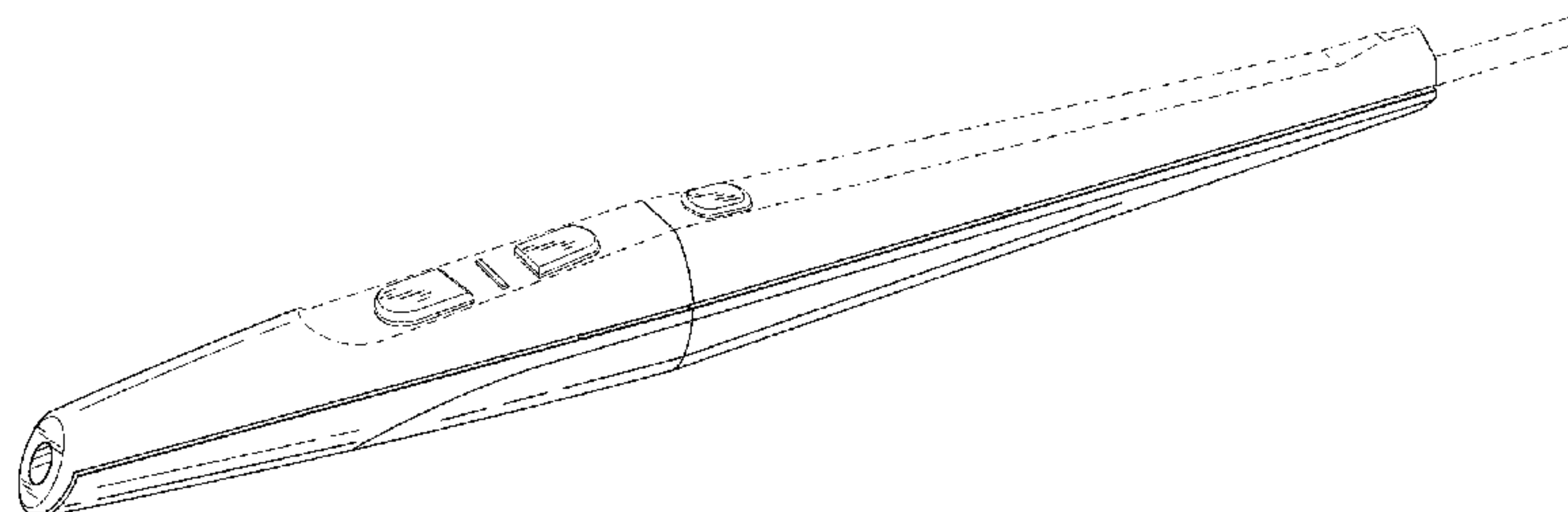
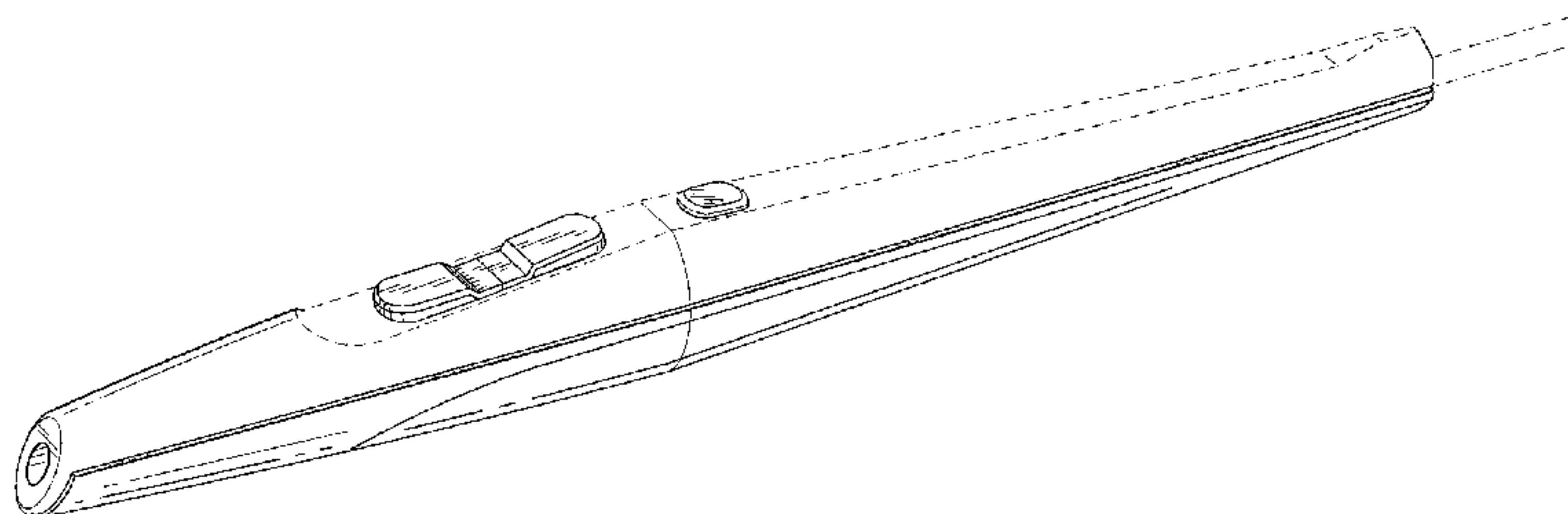


FIG. 1

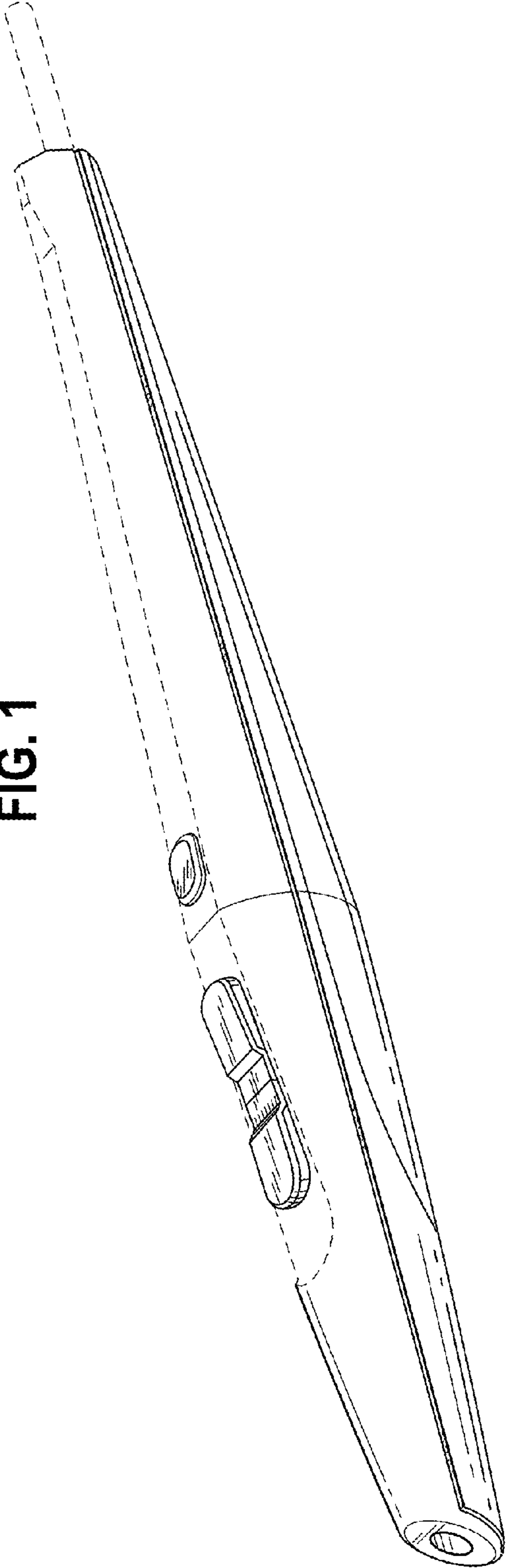


FIG. 2

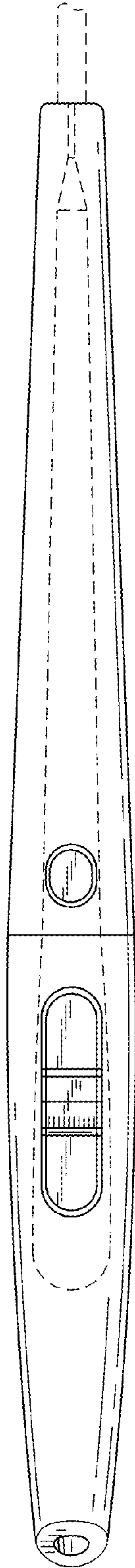


FIG. 3

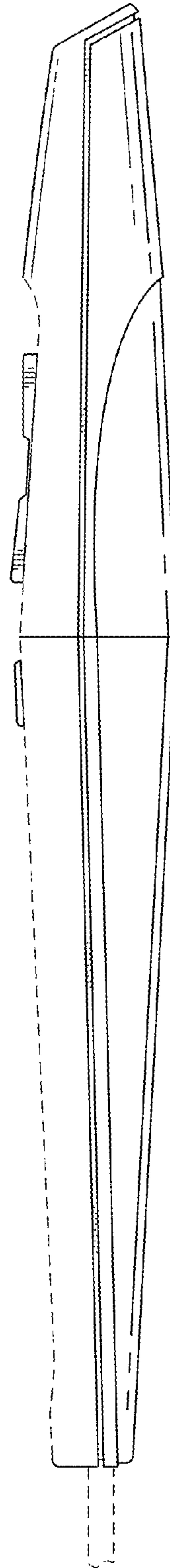


FIG. 5

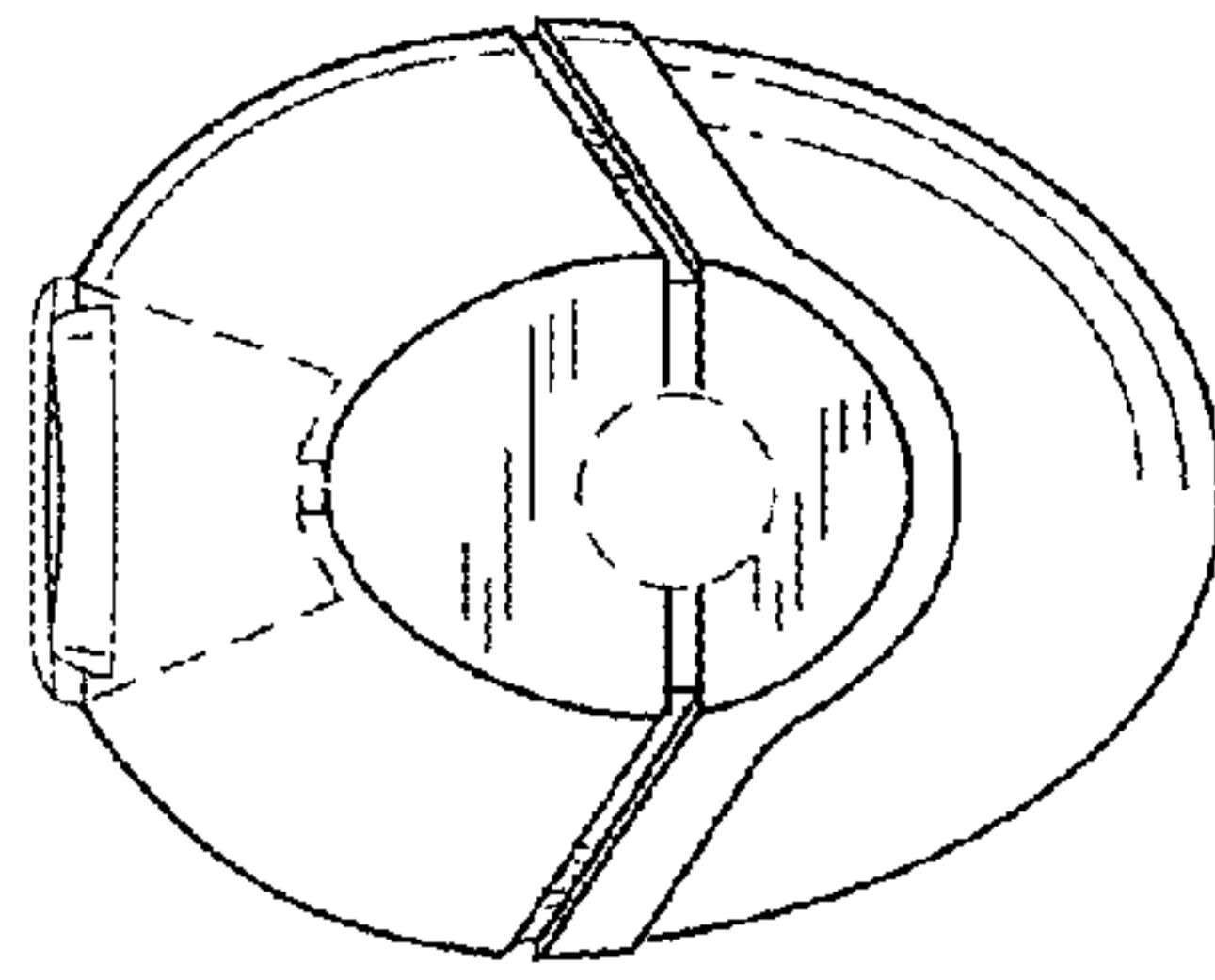


FIG. 4

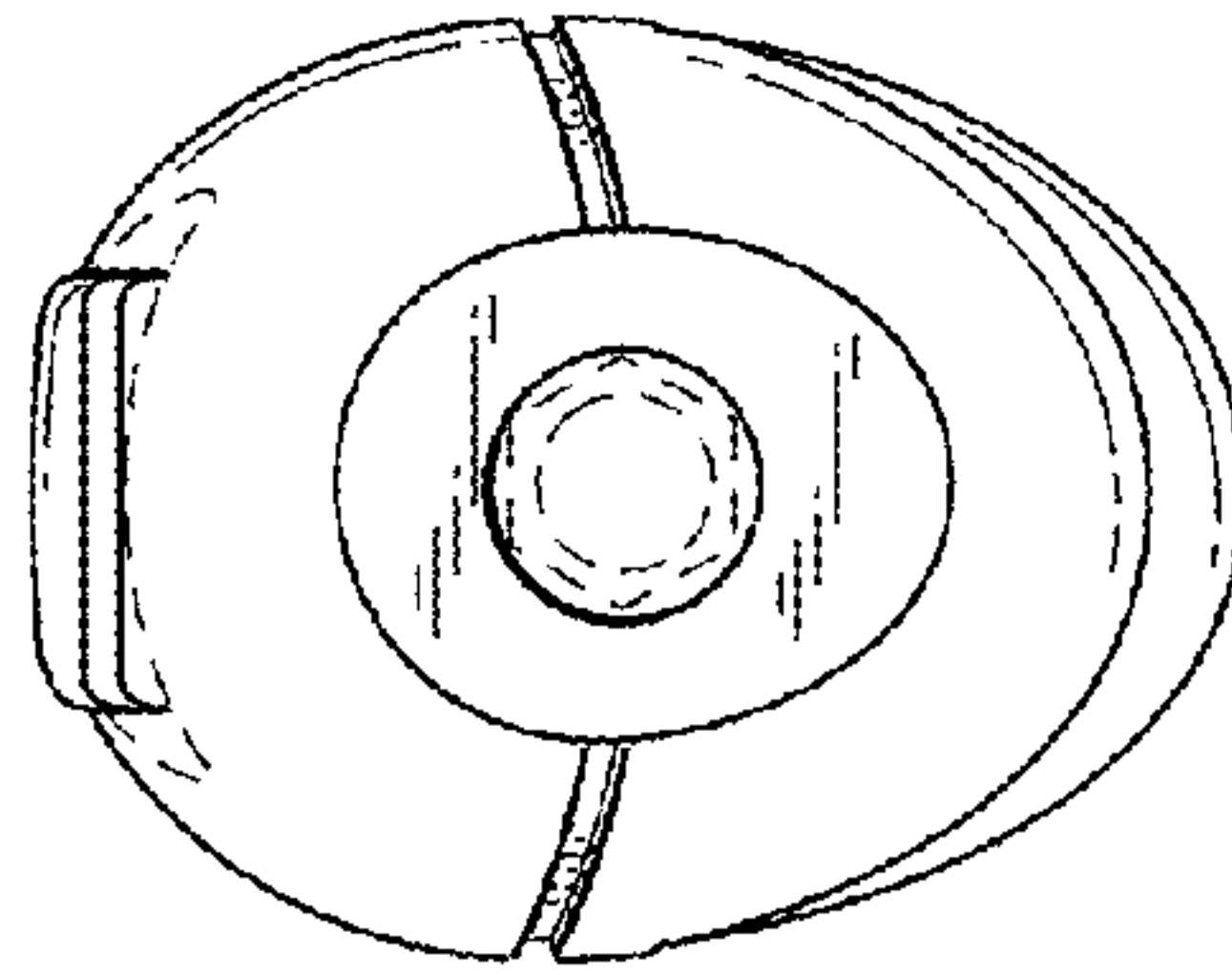


FIG. 6



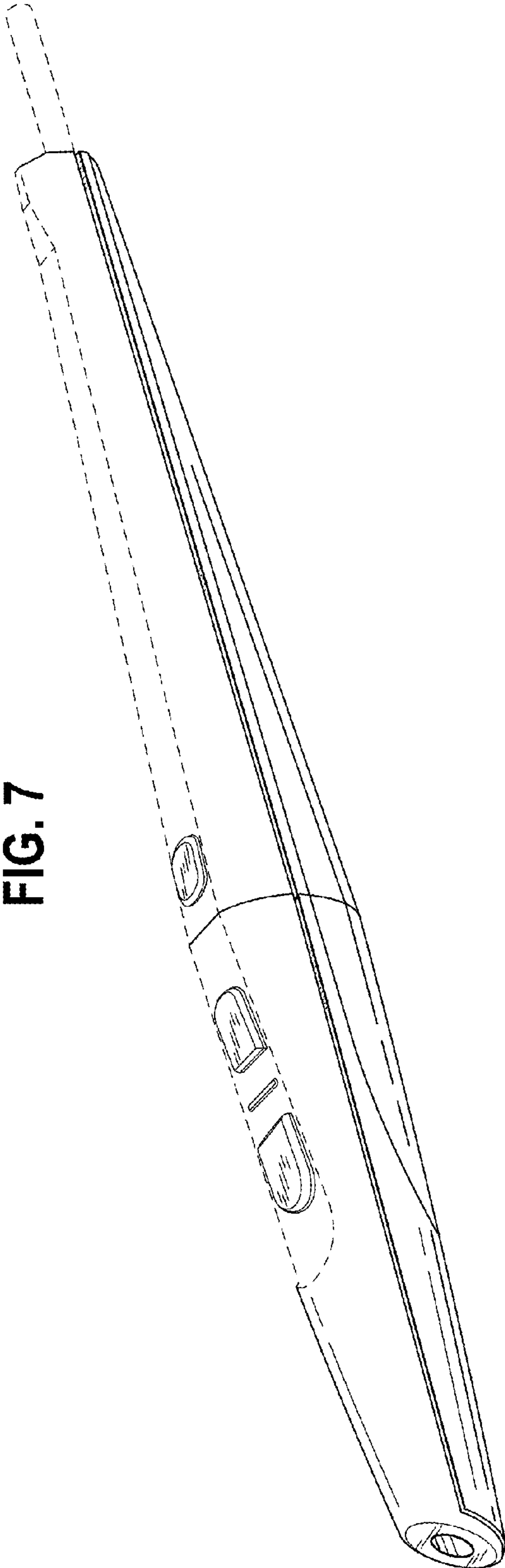


FIG. 7