

US00D766431S

(12) **United States Design Patent** (10) **Patent No.:** **US D766,431 S**  
**Pecherer** (45) **Date of Patent:** **\*\* Sep. 13, 2016**

(54) **LARYNGOSCOPE HANDLE**  
 (71) Applicant: **Evgeny Pecherer**, Netanya (IL)  
 (72) Inventor: **Evgeny Pecherer**, Netanya (IL)  
 (\*\*) Term: **14 Years**  
 (21) Appl. No.: **29/495,891**  
 (22) Filed: **Jul. 7, 2014**  
 (51) **LOC (10) Cl.** ..... **24-02**  
 (52) **U.S. Cl.**  
 USPC ..... **D24/138**  
 (58) **Field of Classification Search**  
 USPC ..... D24/138, 133, 135, 136, 137; 600/185,  
 600/186, 187, 188, 189-199; 606/196, 198  
 CPC .... A61B 1/267; A61B 1/06; B29C 45/1676;  
 B29C 45/0053  
 See application file for complete search history.

(56) **References Cited**

**U.S. PATENT DOCUMENTS**

D242,397	S	*	11/1976	Bauman	.....	D24/138
4,579,108	A	*	4/1986	Bauman	.....	600/186
5,571,071	A	*	11/1996	Shapiro	.....	600/187
5,776,053	A	*	7/1998	Dragisic et al.	.....	600/195
6,174,281	B1	*	1/2001	Abramowitz	.....	600/196
6,231,505	B1	*	5/2001	Martin	.....	600/194
6,248,061	B1	*	6/2001	Cook, Jr.	.....	600/187
6,623,425	B2	*	9/2003	Cartledge et al.	.....	600/195
D544,601	S	*	6/2007	Iqbal	.....	D24/137
D562,452	S	*	2/2008	Iqbal	.....	D24/137
7,608,040	B1	*	10/2009	Dunst	.....	600/187
7,695,433	B2	*	4/2010	Simons	.....	600/186
D630,740	S	*	1/2011	Tenger et al.	.....	D24/137
D630,741	S	*	1/2011	Tenger et al.	.....	D24/137
D630,742	S	*	1/2011	Tenger et al.	.....	D24/137
D630,743	S	*	1/2011	Tenger et al.	.....	D24/137
D630,744	S	*	1/2011	Tenger et al.	.....	D24/137
D632,787	S	*	2/2011	Tenger et al.	.....	D24/133
D669,680	S	*	10/2012	Goldstein	.....	D3/208
2002/0068854	A1	*	6/2002	Heine et al.	.....	600/199

2003/0171654	A1	*	9/2003	Skaggs	.....	600/190
2004/0034281	A1	*	2/2004	Cartledge et al.	.....	600/190
2005/0124859	A1	*	6/2005	Sun	.....	600/194
2008/0033249	A1	*	2/2008	Sakamoto	.....	600/190
2008/0300464	A1	*	12/2008	Dhingra et al.	.....	600/199
2010/0004514	A1	*	1/2010	Shalman et al.	.....	600/187
2010/0022842	A1	*	1/2010	Geist et al.	.....	600/191
2010/0022843	A1	*	1/2010	Pecherer et al.	.....	600/197
2013/0109922	A1	*	5/2013	Estrada	.....	600/194
2013/0190568	A1	*	7/2013	Hakanen et al.	.....	600/186

\* cited by examiner

*Primary Examiner* — Wan Laymon

*Assistant Examiner* — Mark Booker

(74) *Attorney, Agent, or Firm* — JMB Davis Ben-David

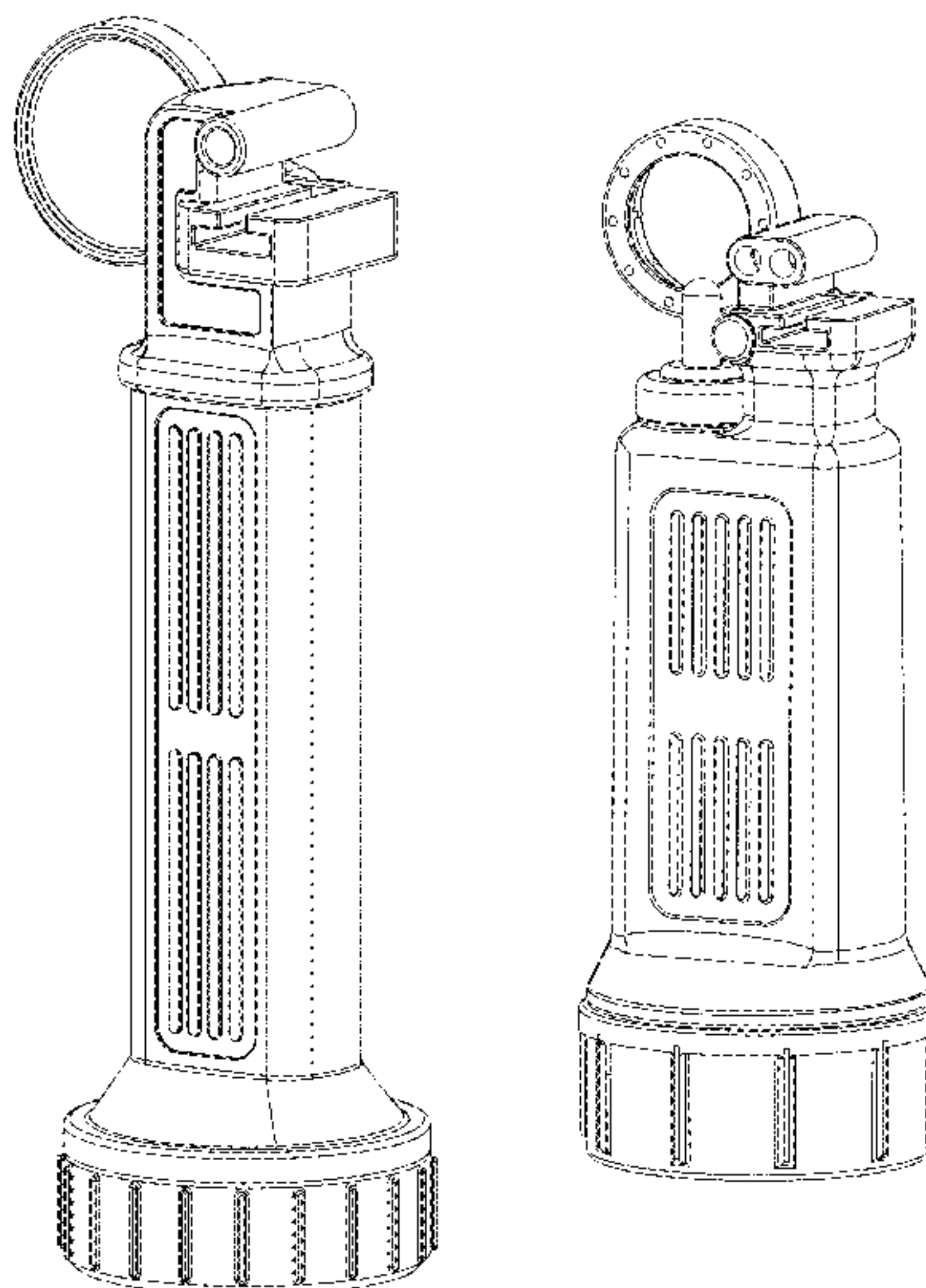
(57) **CLAIM**

The ornamental design for a laryngoscope handle, as shown and described.

**DESCRIPTION**

FIG. 1 is a perspective view of a laryngoscope handle;  
 FIG. 2 is a top view thereof;  
 FIG. 3 is a bottom view thereof;  
 FIG. 4 is a right-side view thereof;  
 FIG. 5 is a left-side view thereof;  
 FIG. 6 is a front view thereof;  
 FIG. 7 is a rear view thereof.  
 FIG. 8 is a perspective view of a second embodiment of the laryngoscope handle;  
 FIG. 9 is a top view thereof;  
 FIG. 10 is a bottom view thereof;  
 FIG. 11 is a right-side view thereof;  
 FIG. 12 is a left-side view thereof;  
 FIG. 13 is a front view thereof; and,  
 FIG. 14 is a rear view thereof.  
 The broken lines in FIGS. 3, 6, 10, and 14 represent unclaimed environment only, and forms no part of the claimed design.

**1 Claim, 7 Drawing Sheets**



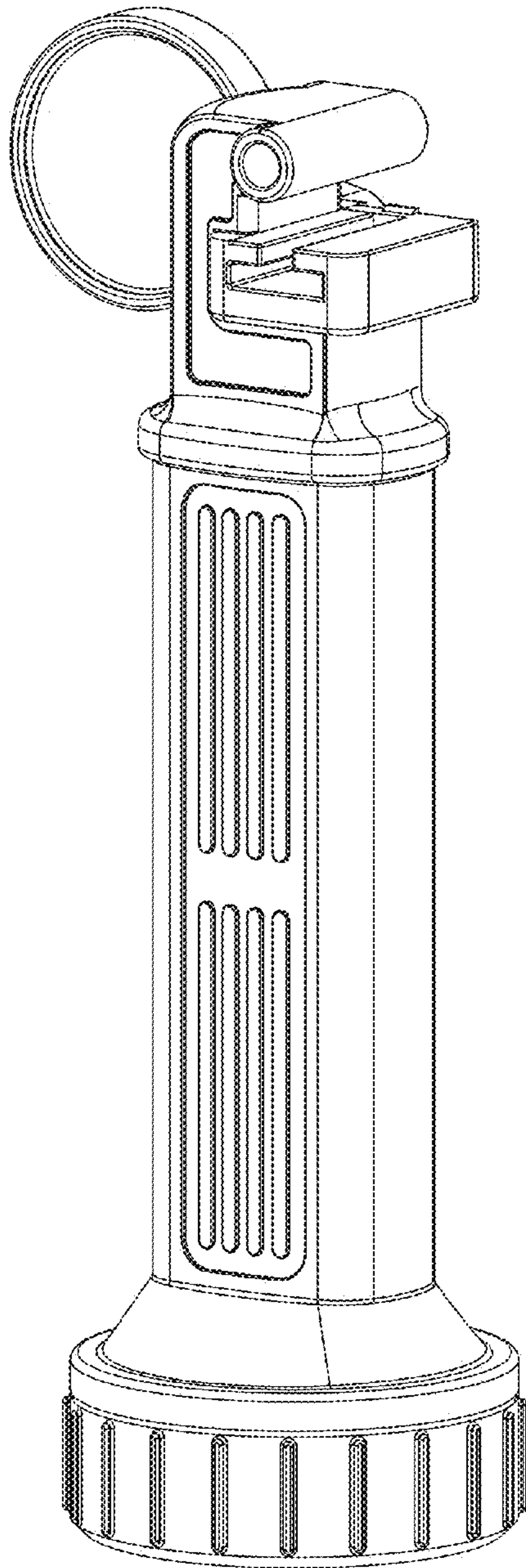


FIG. 1

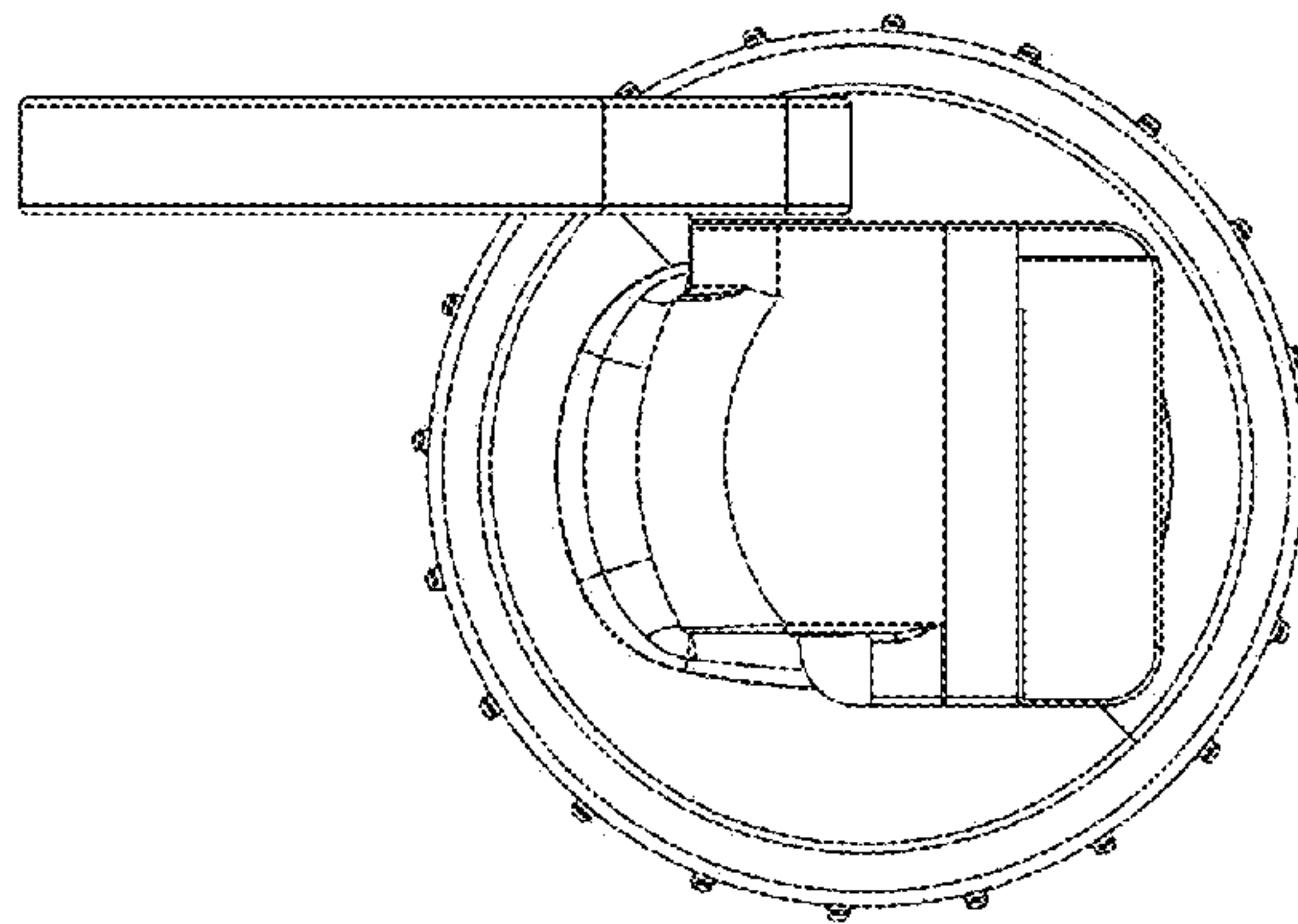


FIG. 2

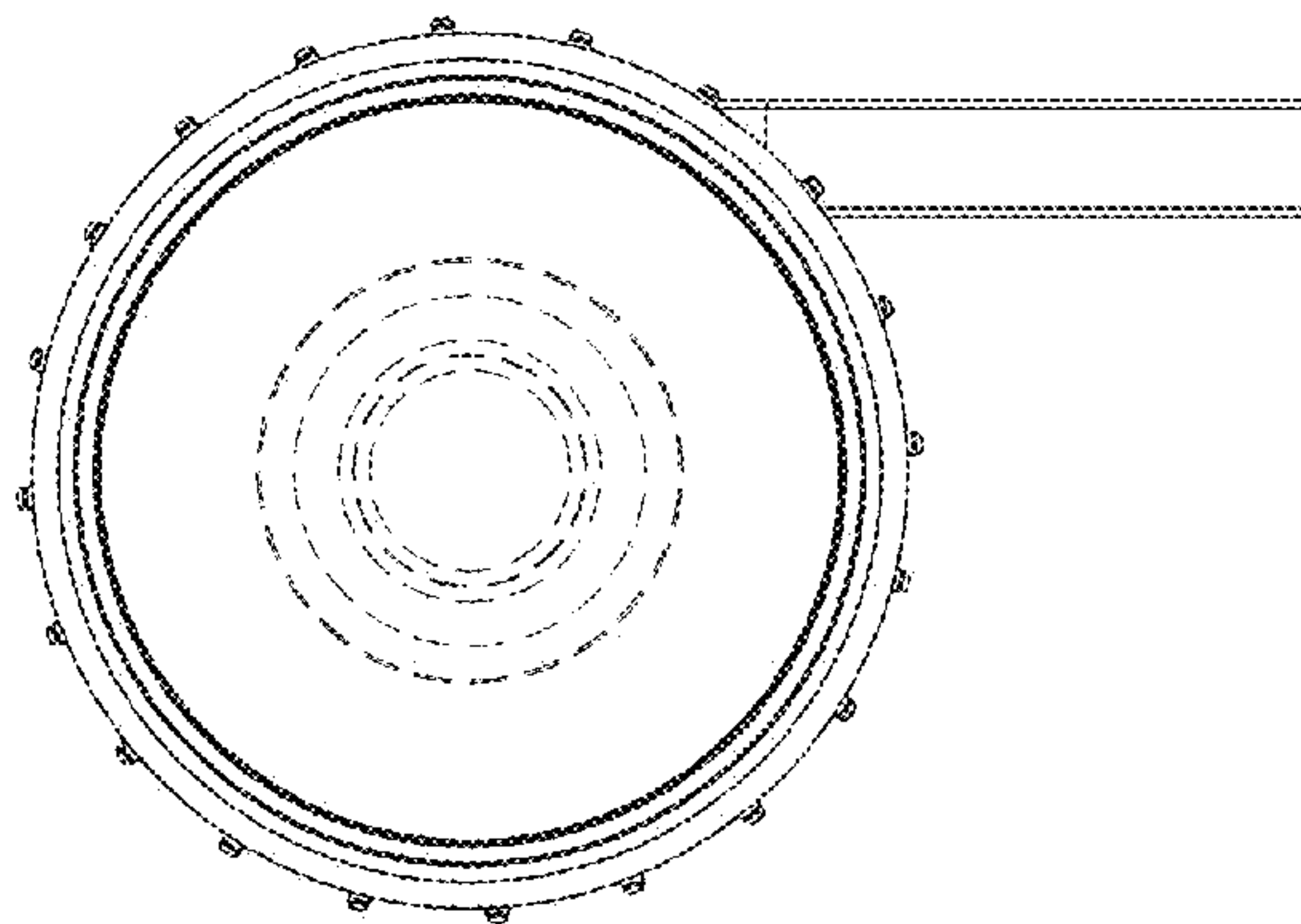


FIG. 3

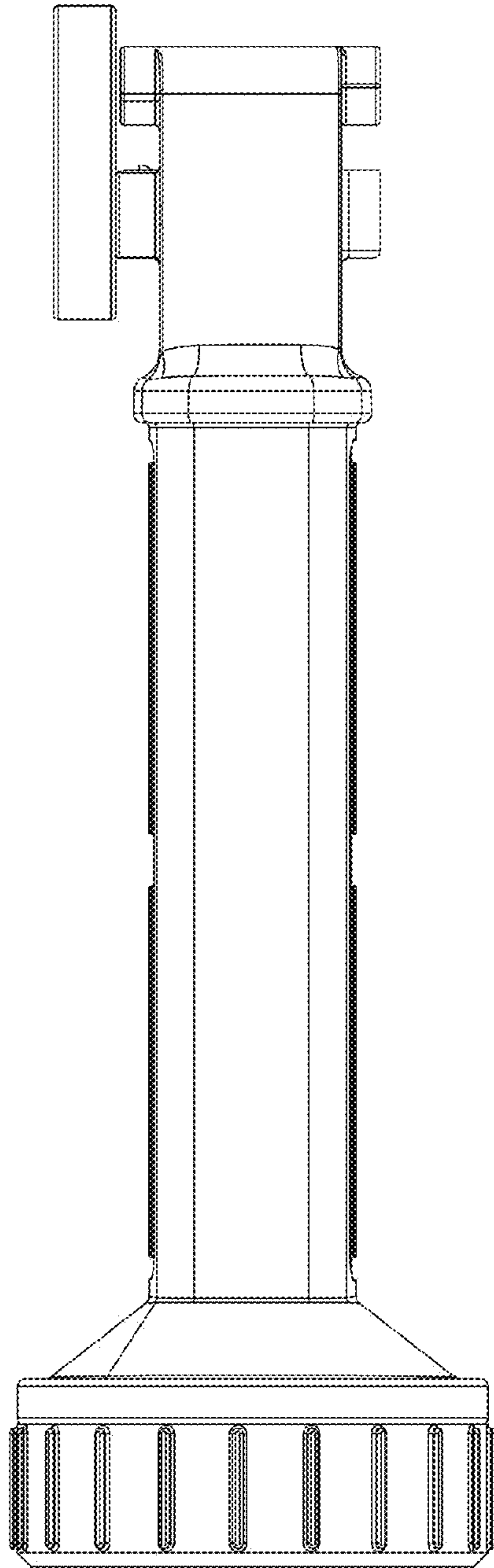


FIG. 4

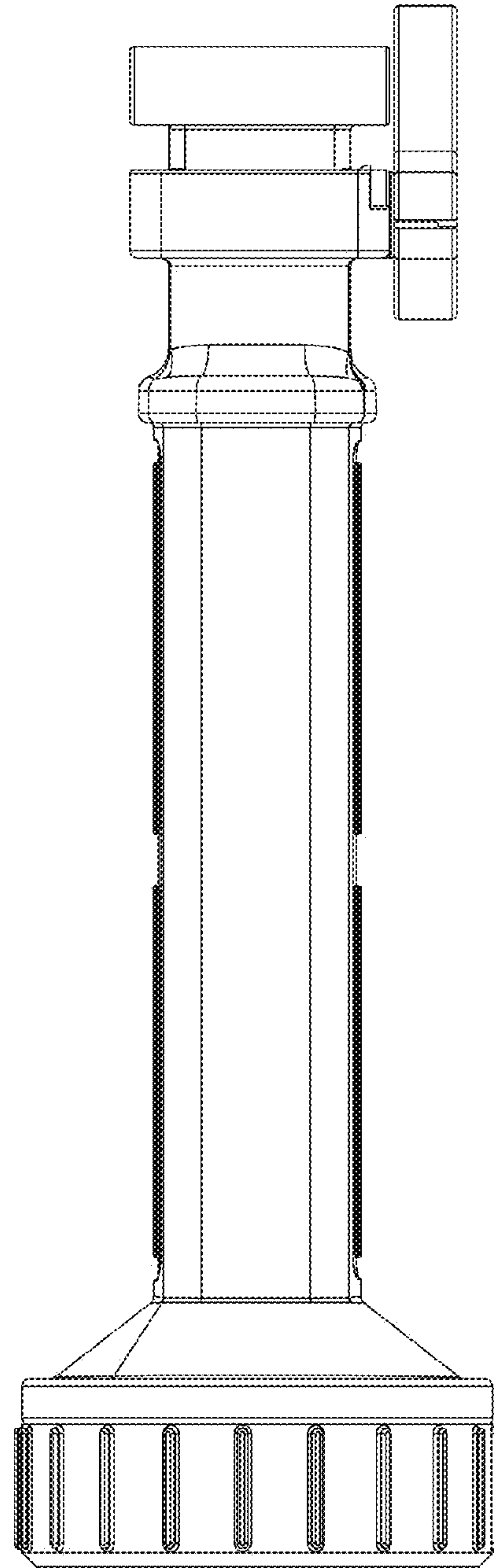


FIG. 5



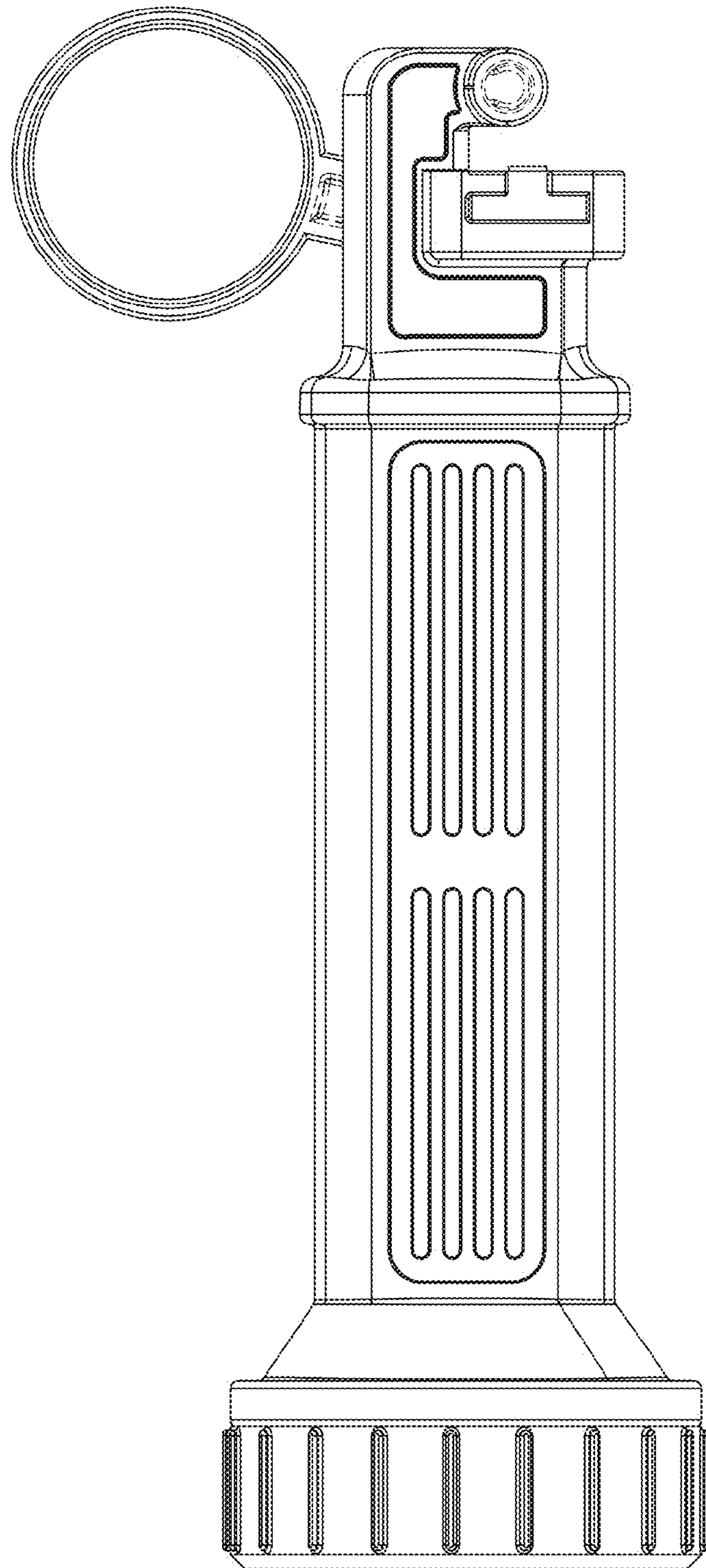


FIG. 6

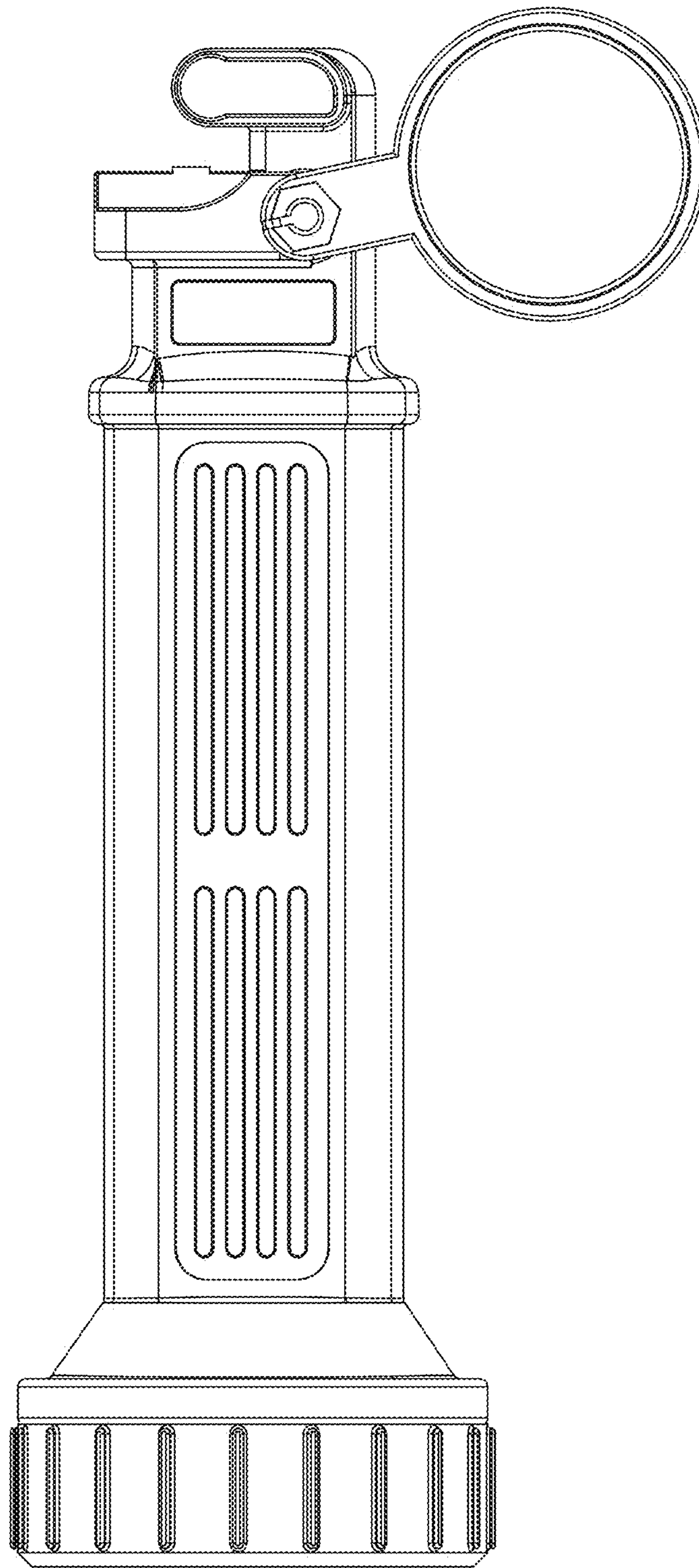


FIG. 7

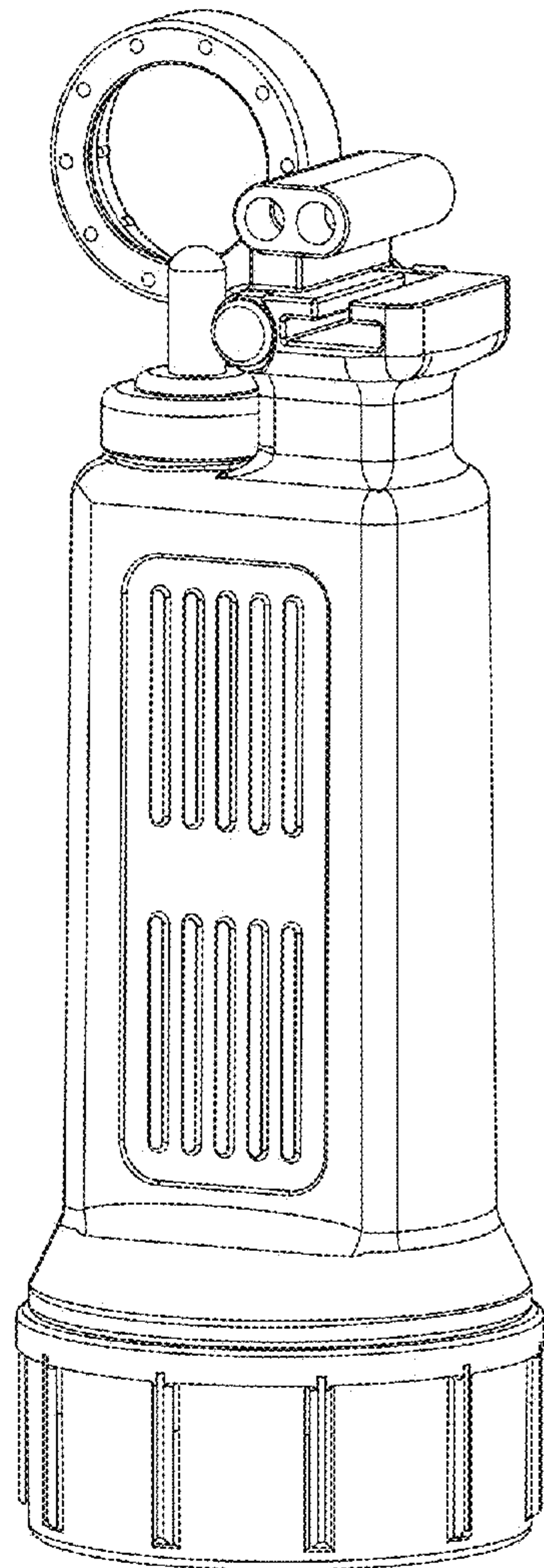


FIG. 8

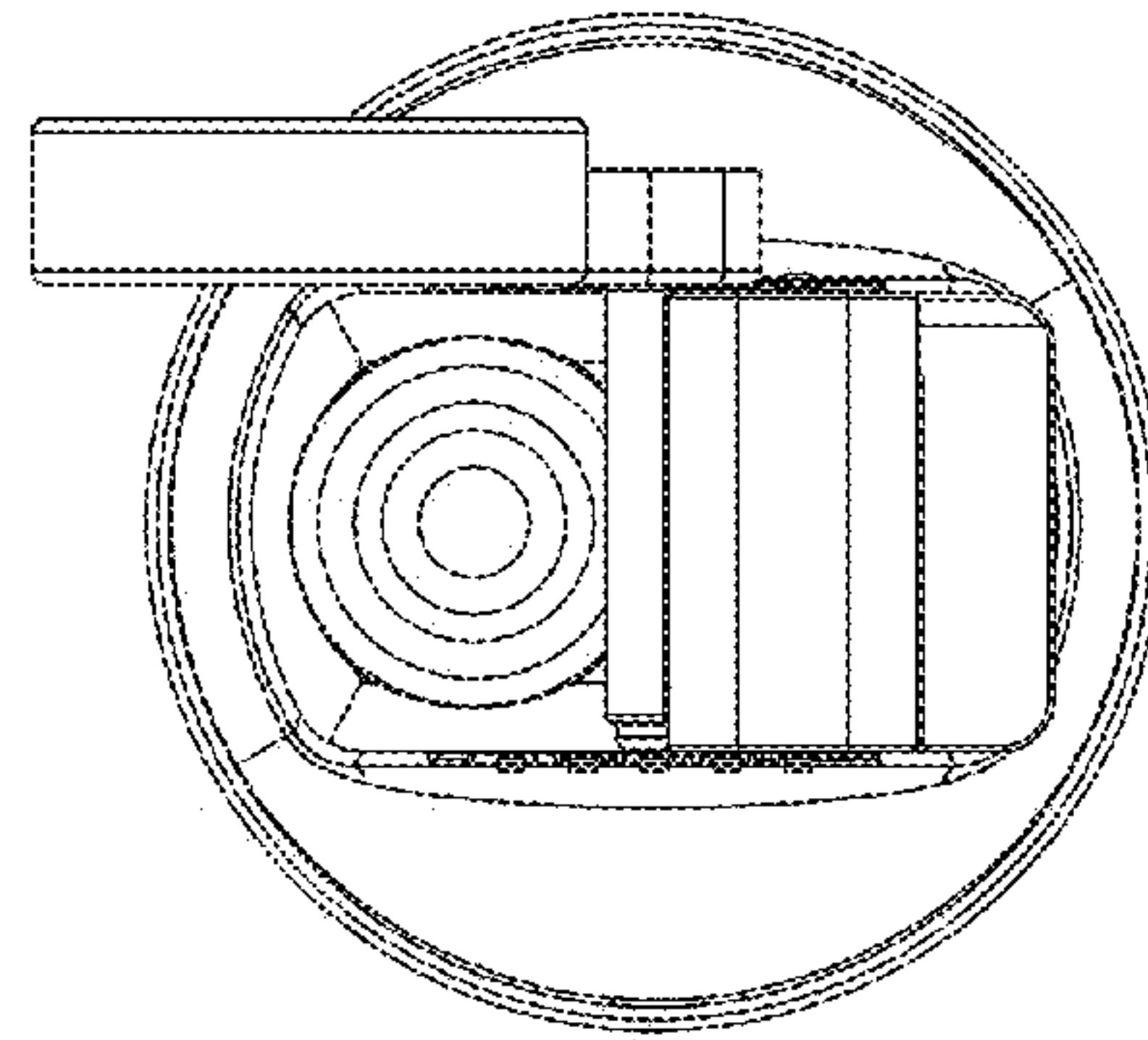


FIG. 9

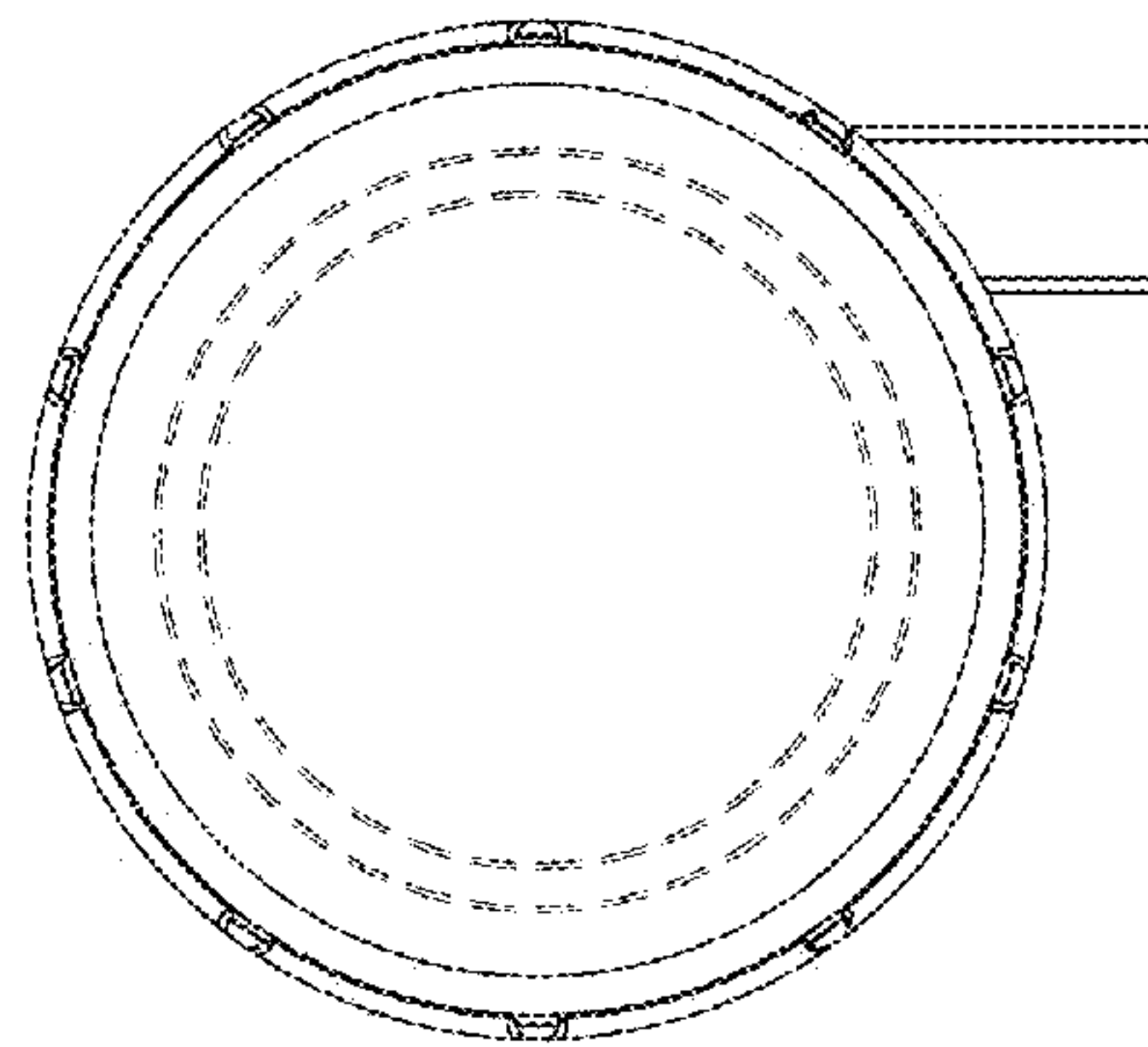


FIG. 10

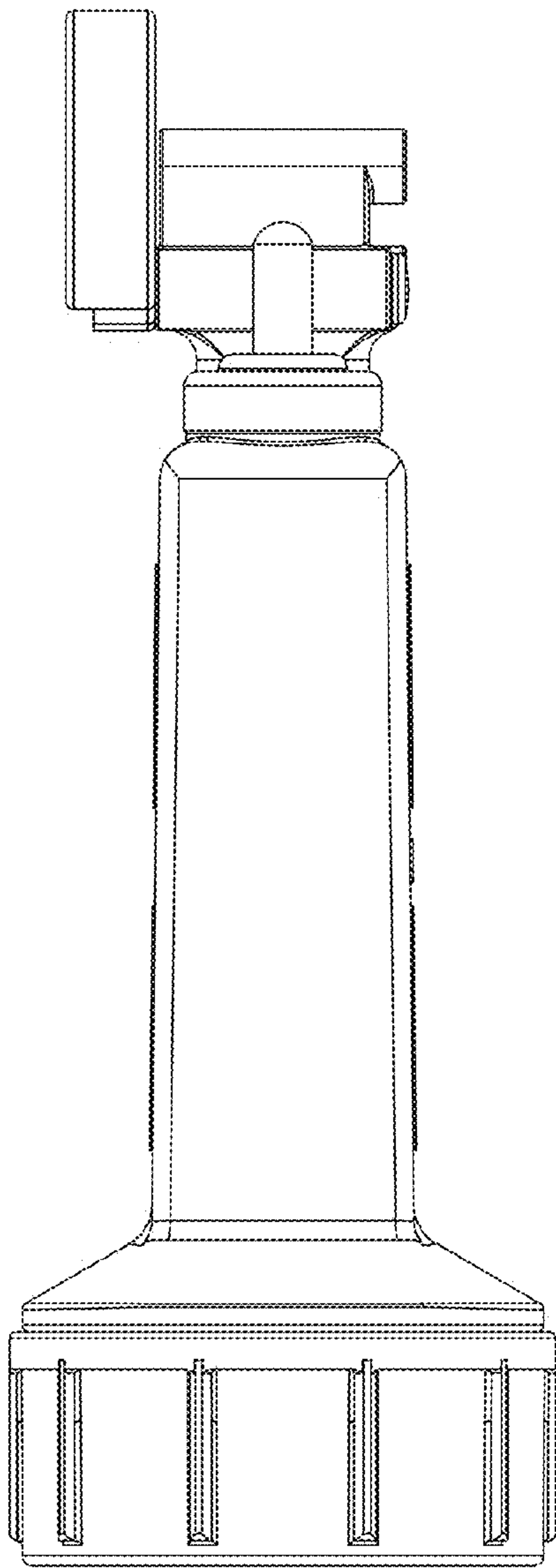


FIG. 11

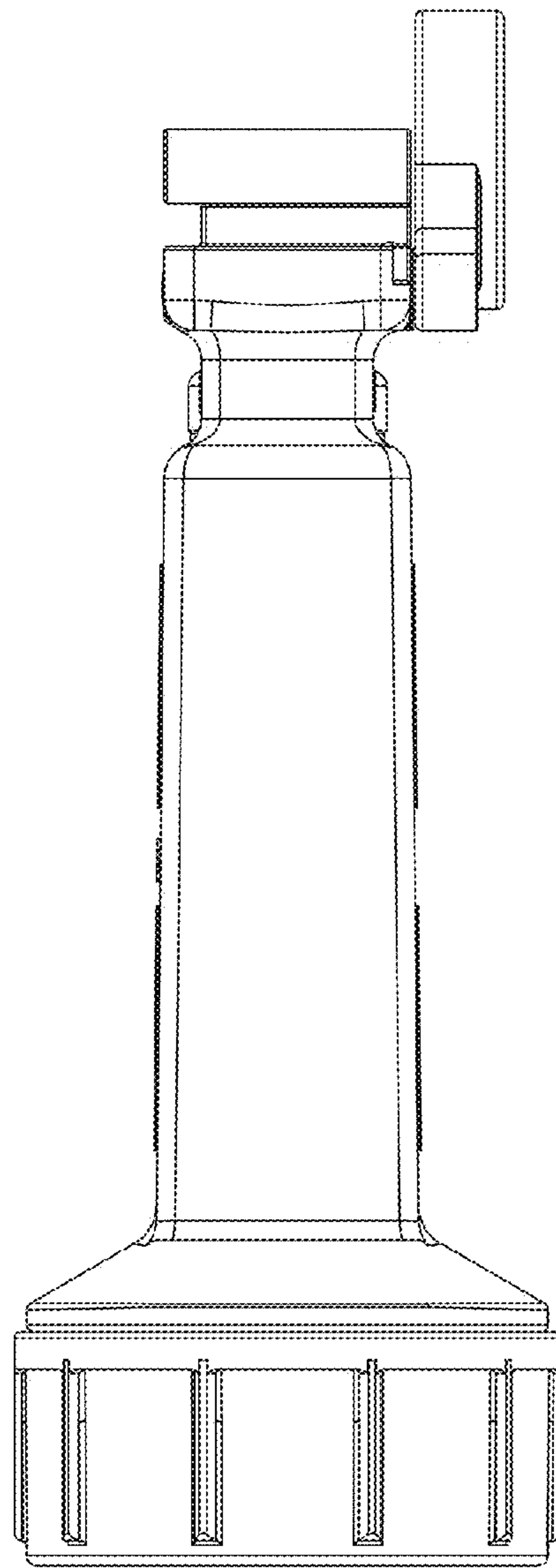


FIG. 12



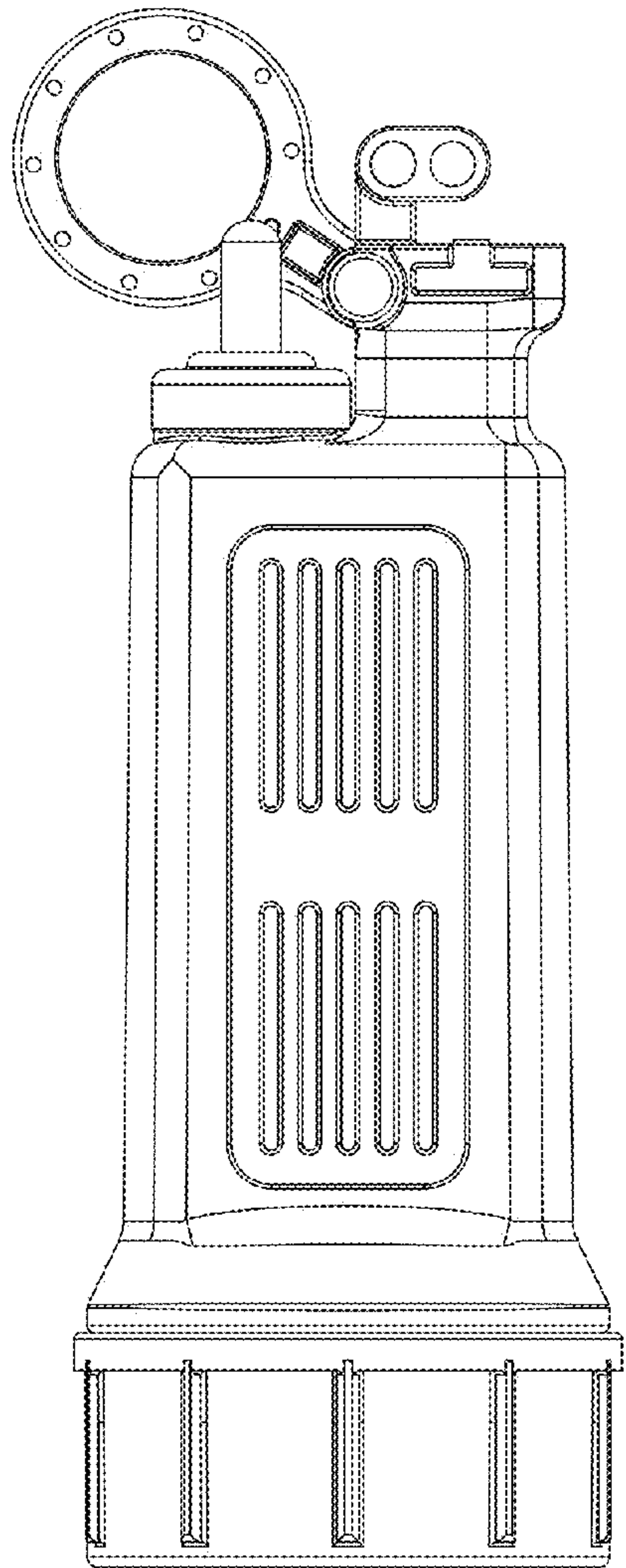


FIG. 13

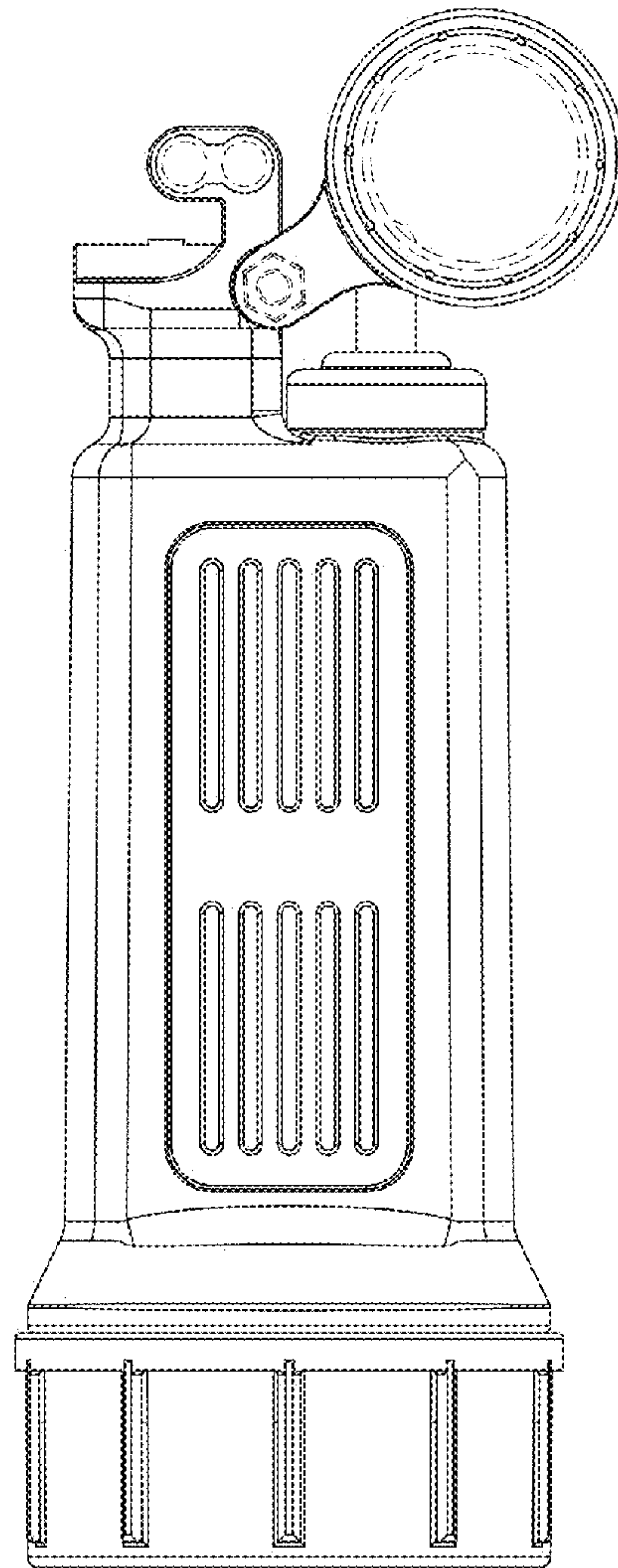


FIG. 14