



US00D766429S

(12) **United States Design Patent** (10) **Patent No.:** **US D766,429 S**  
**Goodwin et al.** (45) **Date of Patent:** **\*\* Sep. 13, 2016**

(54) **MODESTY GARMENT**

(71) Applicants: **Tracey Goodwin**, Bulimba (AU);  
**Alana Luppi**, Bulimba (AU)

(72) Inventors: **Tracey Goodwin**, Bulimba (AU);  
**Alana Luppi**, Bulimba (AU)

(\*\*) Term: **15 Years**

(21) Appl. No.: **29/529,238**

(22) Filed: **Jun. 4, 2015**

(30) **Foreign Application Priority Data**

Dec. 5, 2014 (AU) ..... 16342/2014

(51) **LOC (10) Cl.** ..... **24-04**

(52) **U.S. Cl.**  
USPC ..... **D24/125; D2/712**

(58) **Field of Classification Search**  
USPC ..... D24/122, 124, 125, 126, 127, 128, 189,  
D24/215; D2/712, 713, 714, 715, 716, 731,  
D2/732, 736, 734, 735, 737, 738, 739, 742,  
D2/860, 863  
CPC ..... A41B 9/00; A41B 9/001; A41B 9/02;  
A41B 9/004; A41B 17/00; A41B 2500/50;  
A41B 1/08; A41B 9/023; A41B 9/04; A41B  
13/04

See application file for complete search history.

(56) **References Cited**

**U.S. PATENT DOCUMENTS**

- 3,339,208 A \* 9/1967 Marbach ..... A41B 9/002  
128/891
- D301,080 S \* 5/1989 Gay, Jr. .... D2/731
- 4,982,450 A \* 1/1991 D’Huissier ..... A41B 9/001  
2/402
- 5,363,511 A \* 11/1994 Brewer ..... A41B 9/004  
2/400
- 5,383,868 A \* 1/1995 Hyun ..... A61F 13/47227  
604/385.17
- 5,392,467 A \* 2/1995 Moretz ..... A41B 9/02  
2/114
- D356,660 S \* 3/1995 Leonard ..... D2/704

- D366,524 S \* 1/1996 Chung ..... D24/125
- D378,700 S \* 4/1997 Taylor ..... D24/124
- D392,736 S \* 3/1998 Erickson ..... D24/124

(Continued)

**OTHER PUBLICATIONS**

<http://www.amazon.co.uk/Adhesive%ADinvisible%ADinvisible%ADpanties%ADDisposable/dp/B013E9R40C>—Downloaded Mar. 25, 2016.\*

(Continued)

*Primary Examiner* — Manpreet Matharu

*Assistant Examiner* — Mojtaba Tehrani

(74) *Attorney, Agent, or Firm* — Symbus Law Group, LLC;  
Clifford D. Hyra

(57) **CLAIM**

The ornamental design for a modesty garment, as shown and described.

**DESCRIPTION**

FIG. 1 is a front view of a modesty garment, showing our new design;

FIG. 2 is a perspective view of the modesty garment of FIG. 1 with protective strips partially removed, showing the front, bottom and right sides.

FIG. 3 is a front view thereof with several protective strips removed.

FIG. 4 is a front view thereof with several protective strips removed and with a section separated along a perforation line.

FIG. 5 is a front view of the modesty garment of FIG. 1 with several protective strips removed and with a section separated along a different perforation line.

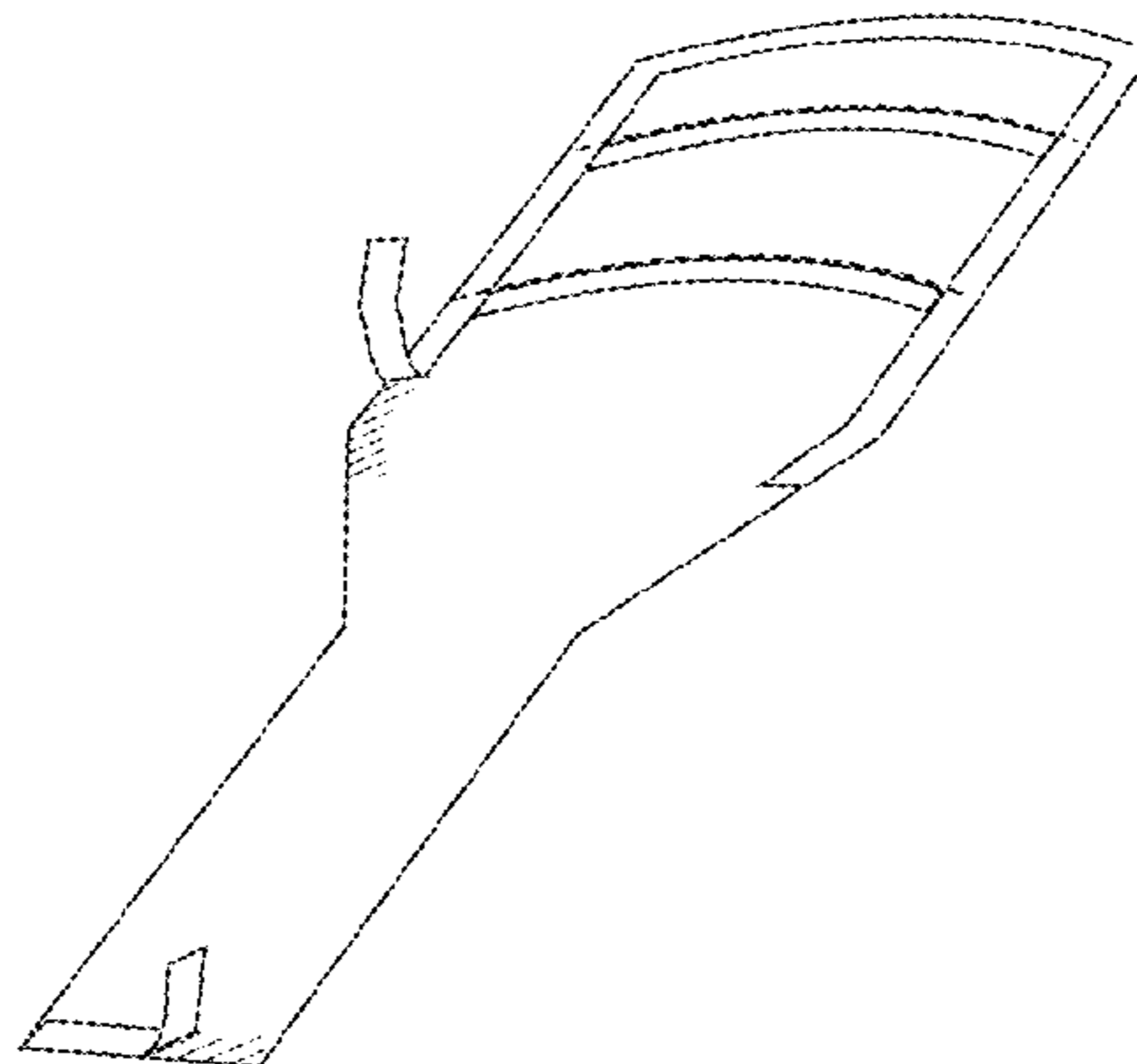
FIG. 6 is a front view of the modesty garment of FIG. 1 without protective strips.

FIG. 7 is a rear view of the modesty garment of FIG. 1; and, FIG. 8 is a perspective view of the modesty garment of FIG. 1 showing the rear, left and bottom sides.

The broken line in the drawings represents perforations and form part of the claim design.

The diagonal linear surface shading in the drawings represents adhesive surfaces and form part of the claim design.

**1 Claim, 8 Drawing Sheets**



(56)

References Cited

U.S. PATENT DOCUMENTS

D394,503 S \* 5/1998 Perrini ..... D24/124  
5,832,535 A \* 11/1998 Davis ..... A41B 9/001  
2/1  
D416,325 S \* 11/1999 Thompson ..... D24/126  
D431,293 S \* 9/2000 Finkle ..... D24/124  
D439,331 S \* 3/2001 Mitchell ..... D24/124  
D444,230 S \* 6/2001 Renz ..... D24/124  
D444,231 S \* 6/2001 Renz ..... D24/124  
D445,498 S \* 7/2001 Renz ..... D24/124  
D473,304 S \* 4/2003 Harriz ..... D24/125  
D475,455 S \* 6/2003 Gell ..... D24/125  
D475,456 S \* 6/2003 Gell ..... D24/125  
D476,082 S \* 6/2003 Gell ..... D24/125  
D476,739 S \* 7/2003 de Carvalho ..... D24/124  
D477,077 S \* 7/2003 Ribeiro de Carvalho ... D24/124  
D477,402 S \* 7/2003 de Camacho ..... D24/124  
D478,167 S \* 8/2003 Proglhof ..... D24/124

D478,985 S \* 8/2003 de Carvalho ..... D24/125  
D482,446 S \* 11/2003 Rainville-Lonn ..... D24/125  
D483,866 S \* 12/2003 Pollard ..... D24/125  
D486,228 S \* 2/2004 Fonseca ..... D24/125  
D589,611 S \* 3/2009 Parker ..... D24/124  
D604,410 S \* 11/2009 Bogren ..... D24/124  
D607,998 S \* 1/2010 Persson ..... D24/125  
D608,883 S \* 1/2010 Smith ..... D24/124  
D636,487 S \* 4/2011 Nnenna Idima Igwe .... D24/124  
D643,919 S \* 8/2011 Walker ..... D24/126  
D690,903 S \* 10/2013 Wexler ..... D2/712  
D699,921 S \* 2/2014 Wexler ..... D2/712  
D701,018 S \* 3/2014 Wexler ..... D2/712

OTHER PUBLICATIONS

<http://www.dailymail.co.uk/femail/article-2641859/Is-end-VPL-Miraculous-STRAPLESS-G-string-adheres-skin-let-nearly-commando.html>—Published May 28, 2014.\*

\* cited by examiner

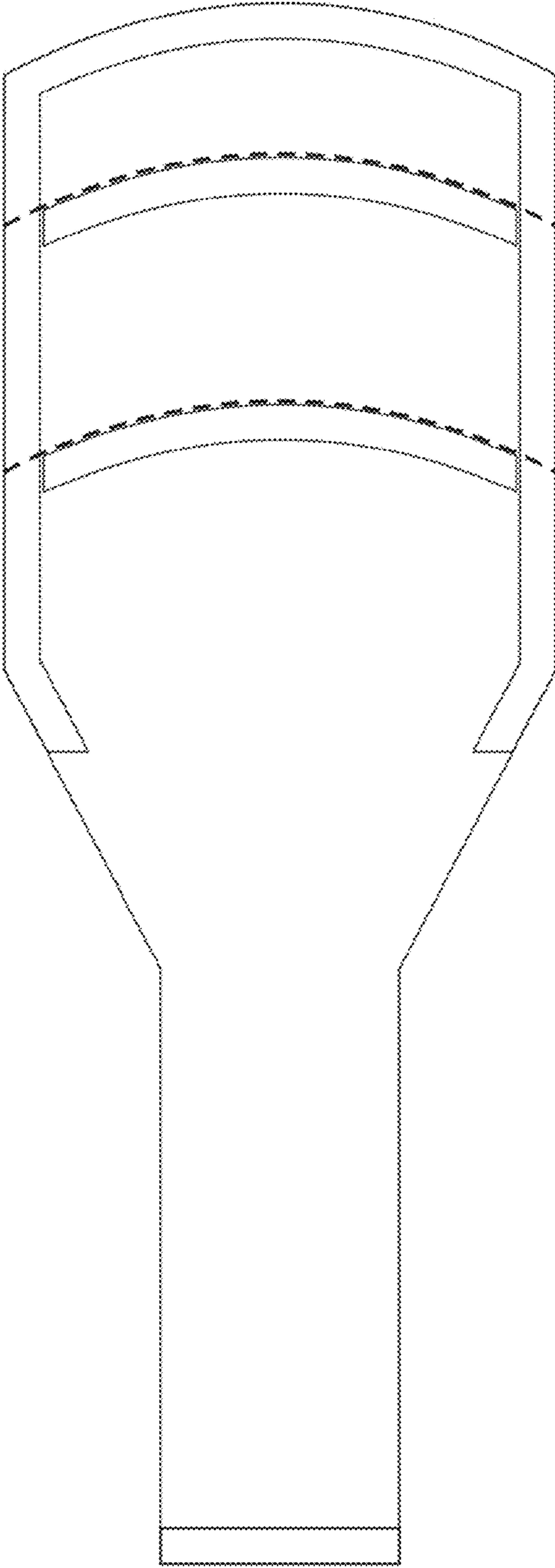


FIG. 1

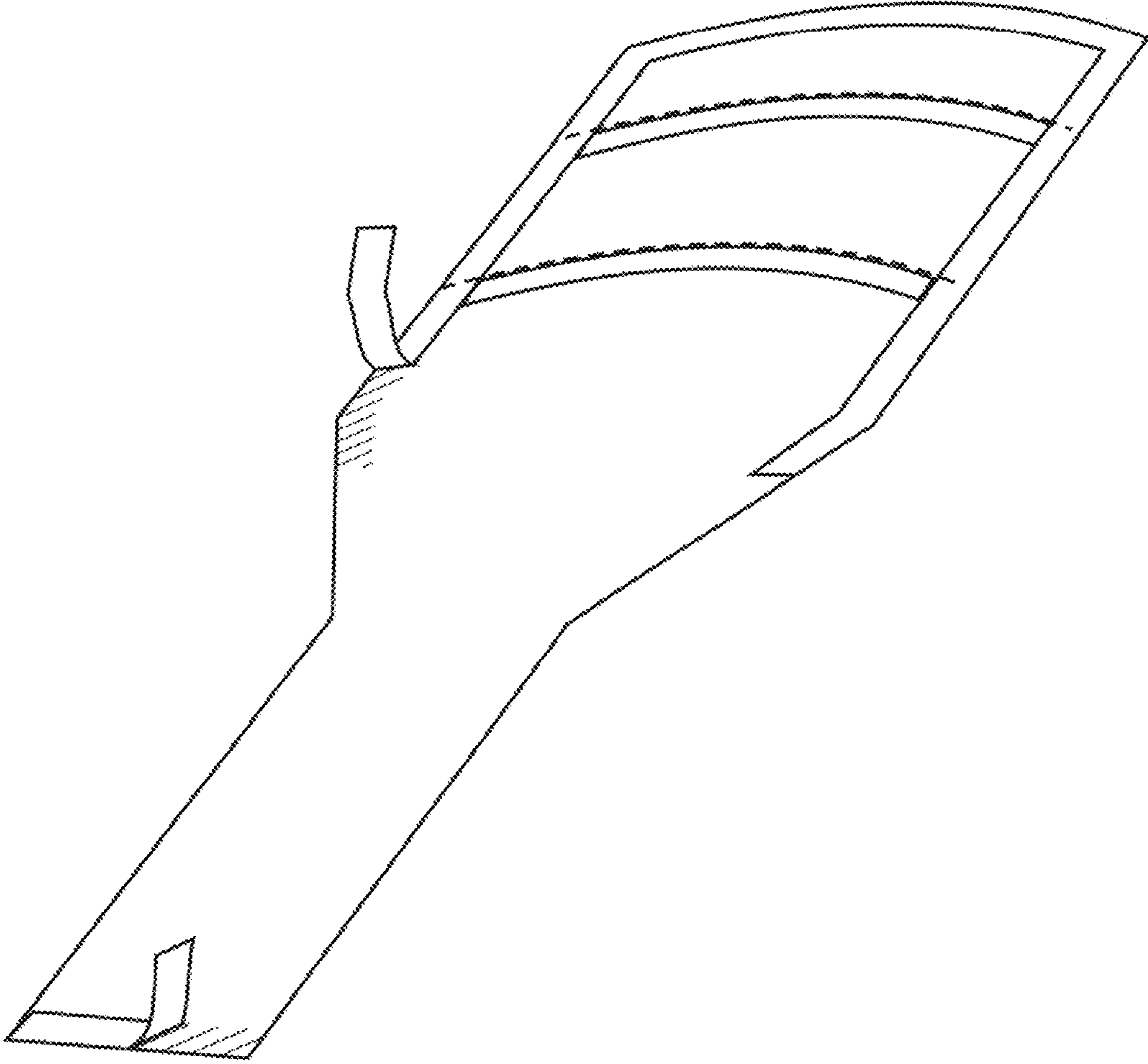


FIG. 2

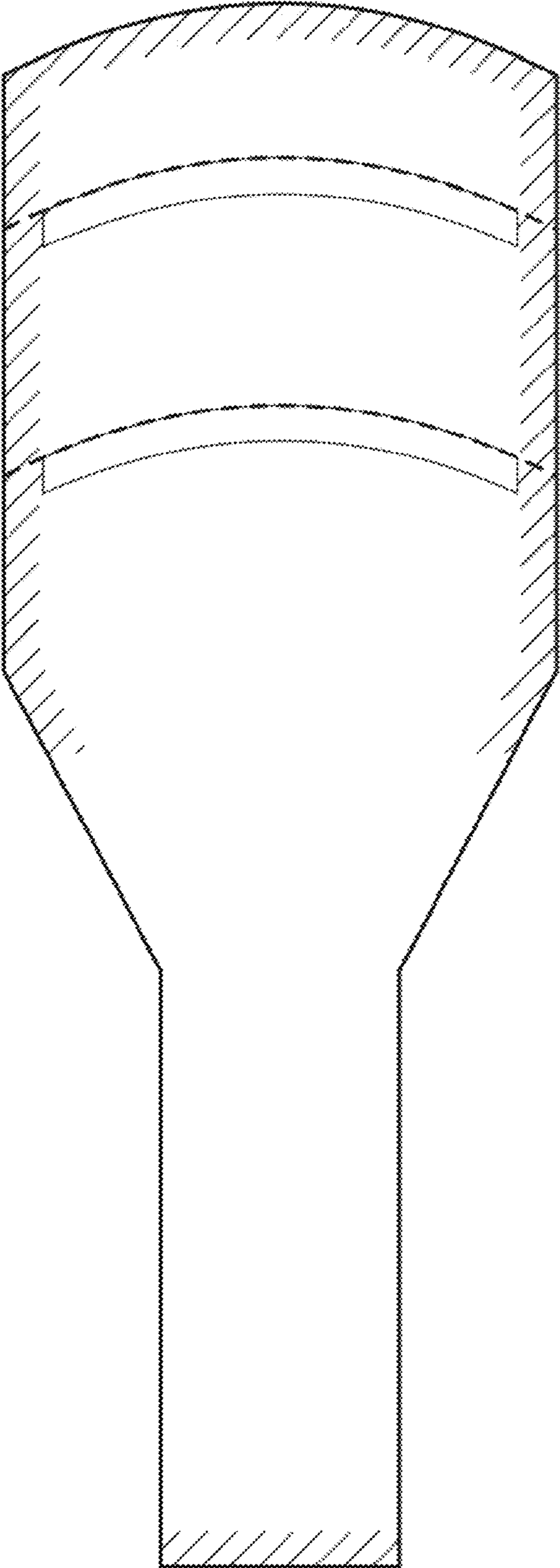


FIG. 3

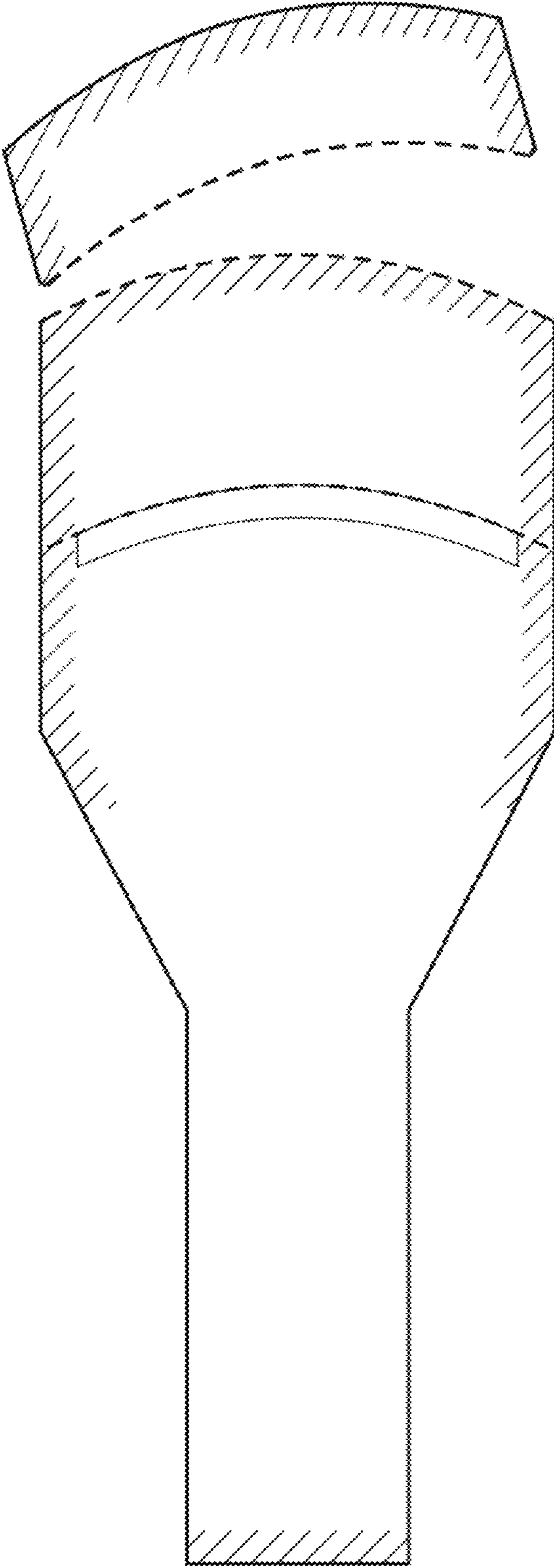


FIG. 4

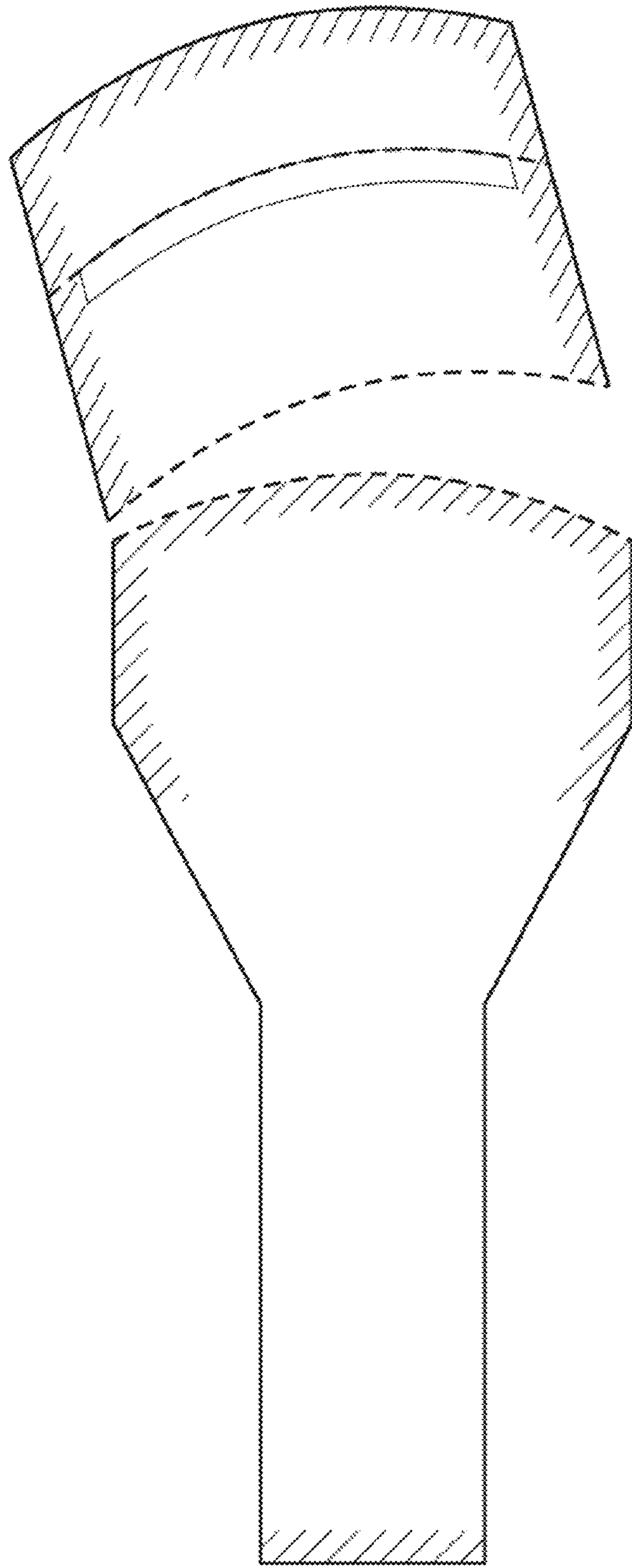


FIG. 5

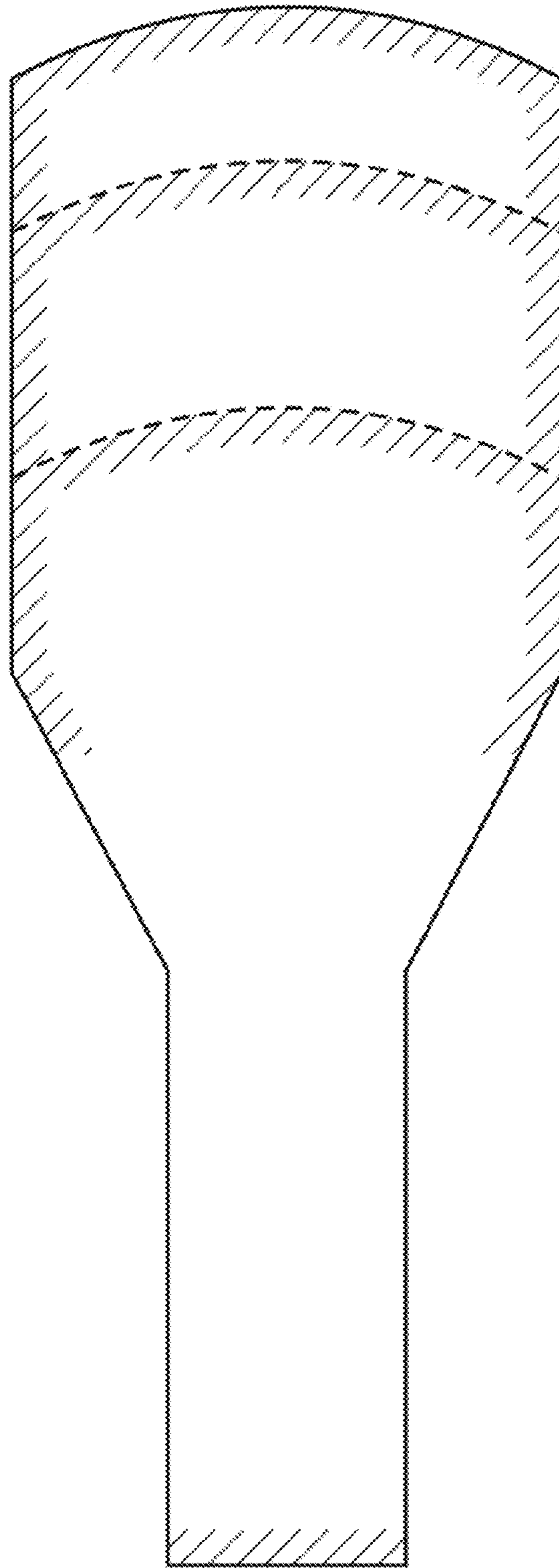


FIG. 6



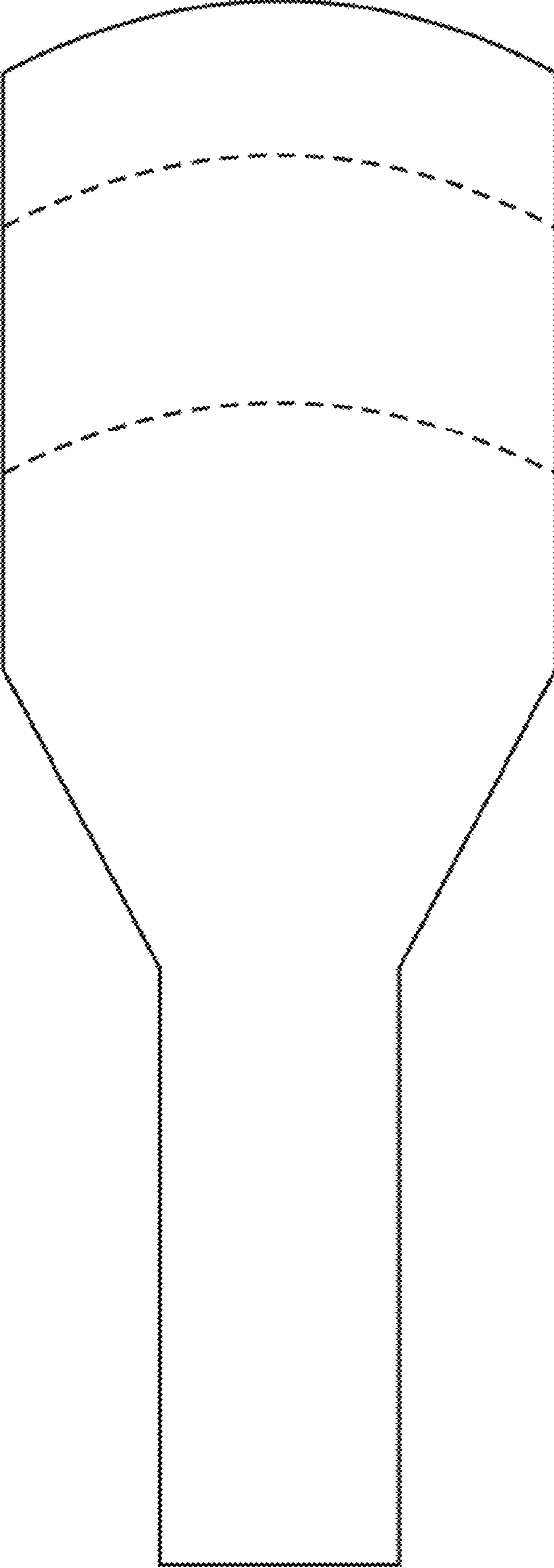


FIG. 7

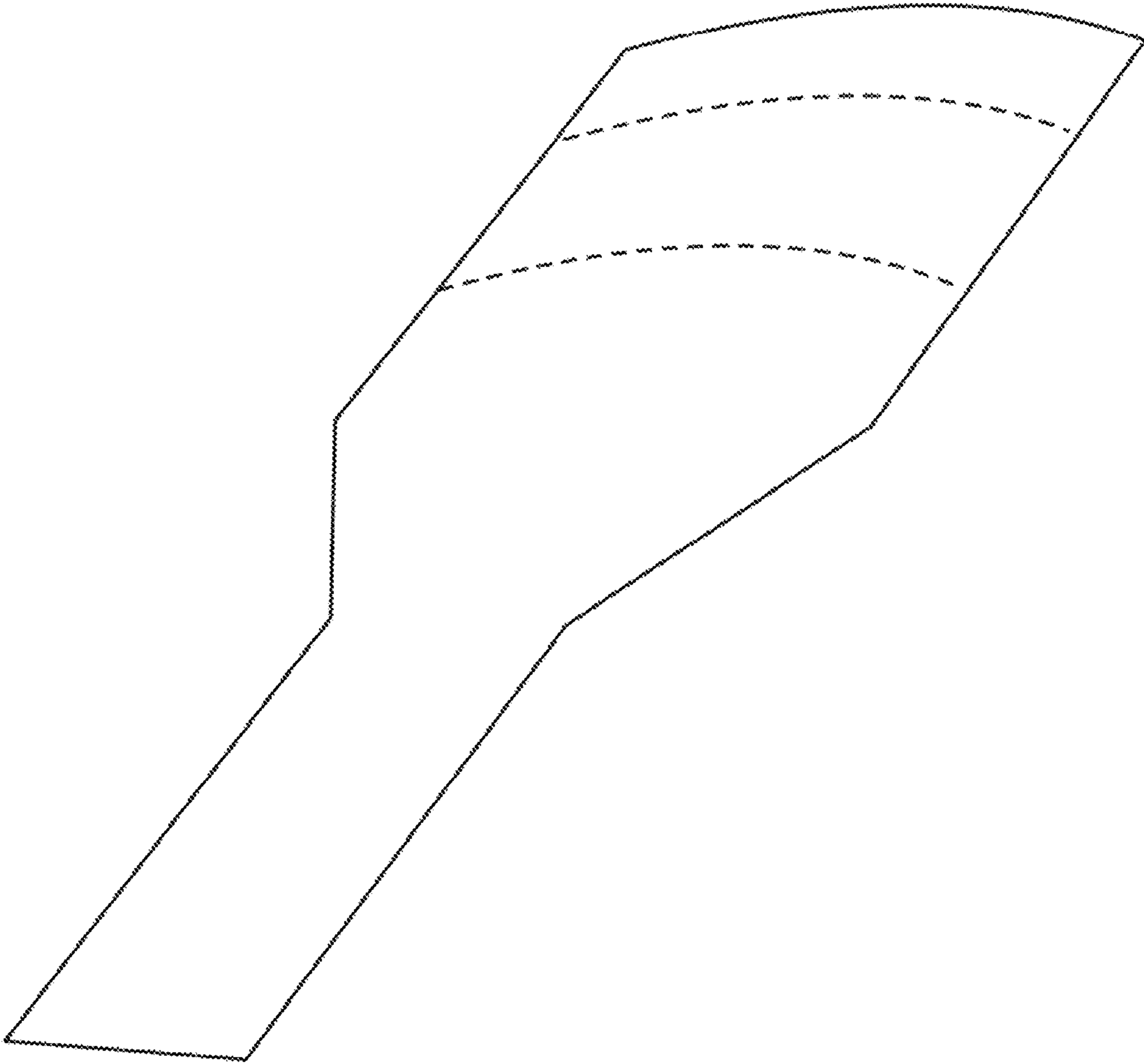


FIG. 8