



US00D766423S

(12) **United States Design Patent** (10) **Patent No.:** **US D766,423 S**  
**Kim et al.** (45) **Date of Patent:** **\*\* Sep. 13, 2016**

(54) **CHARGING DEVICE FOR AN ORAL IRRIGATOR**

*Primary Examiner* — Charles Hanson  
(74) *Attorney, Agent, or Firm* — Dorsey & Whitney LLP

(71) Applicant: **WATER PIK, INC.**, Fort Collins, CO (US)

(57) **CLAIM**  
We claim the ornamental design for a charging device for an oral irrigator, as shown and described.

(72) Inventors: **Hyunchul Kim**, Chicago, IL (US);  
**Jungwhan Chei**, Chestnut Hill, MA (US)

**DESCRIPTION**

(73) Assignee: **WATER PIK, INC.**, Fort Collins, CO (US)

FIG. 1 is a top-front isometric view of a charging device for an oral irrigator showing our new design;  
FIG. 2 is a top-rear isometric view of the charging device of FIG. 1.

(\*\*) Term: **14 Years**

FIG. 3 is a front elevation view of the charging device of FIG. 1.

(21) Appl. No.: **29/510,634**

FIG. 4 is a rear elevation view of the charging device of FIG. 1.

(22) Filed: **Dec. 1, 2014**

FIG. 5 is a top plan view of the charging device of FIG. 1.  
FIG. 6 is a bottom plan view of the charging device of FIG. 1.

(51) **LOC (10) Cl.** ..... **24-02**

(52) **U.S. Cl.**  
USPC ..... **D24/111; D13/108**

FIG. 7 is a right-side elevation view of the charging device of FIG. 1.

(58) **Field of Classification Search**  
USPC ..... **D24/111, 108, 127-130, 110; D13/133, D13/108**

FIG. 8 is a left-side elevation view of the charging device of FIG. 1.

CPC ..... **A61C 17/02; A61C 17/0202; A61C 17/0214; A61C 17/0205; A61C 17/28; A61C 17/36; A61C 17/00; A61C 1/0092; A47L 2201/022; A47L 2201/02; A47L 9/2873; H02J 7/0044; H02J 7/0052**  
See application file for complete search history.

FIG. 9 is a top-front isometric view of a second embodiment of a charging device for an oral irrigator.

FIG. 10 is a top-rear isometric view of the charging device of FIG. 9.

FIG. 11 is a front elevation view of the charging device of FIG. 9.

(56) **References Cited**

**U.S. PATENT DOCUMENTS**

D523,809 S 6/2006 Roth et al.  
D524,730 S \* 7/2006 Vu ..... D13/108

(Continued)

FIG. 12 is a rear elevation view of the charging device of FIG. 9.

FIG. 13 is a top plan view of the charging device of FIG. 9.  
FIG. 14 is a bottom plan view of the charging device of FIG. 9.

FIG. 15 is a right-side elevation view of the charging device of FIG. 9; and,

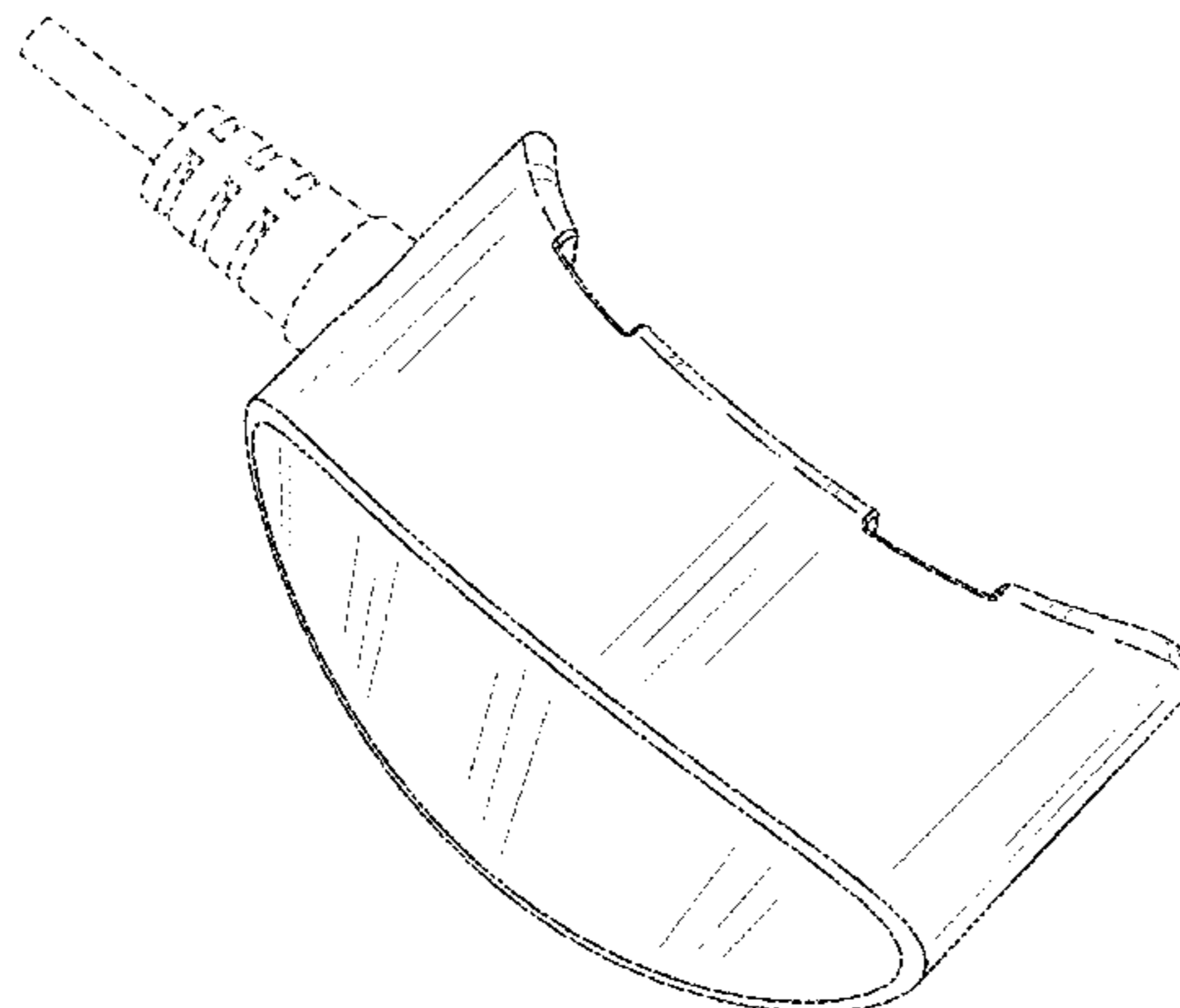
FIG. 16 is a left-side elevation view of the charging device of FIG. 9.

The broken lines, which define the bounds of the claimed design, form no part of the claimed design.

**FOREIGN PATENT DOCUMENTS**

CN 201466773 U 5/2010  
CN 101867203 A 10/2010  
CN 101971453 A 2/2011

**1 Claim, 16 Drawing Sheets**



(56)

References Cited

U.S. PATENT DOCUMENTS

7,872,445 B2	1/2011	Hui							
D634,268 S	3/2011	Reishus et al.							
D634,707 S	3/2011	Hosler et al.							
7,952,322 B2	5/2011	Partovi et al.							
8,350,524 B2	1/2013	Kwong							
D676,381 S *	2/2013	McSweyn	.....	D13/108					
D687,772 S *	8/2013	Chikos	.....	D13/108					
D697,026 S *	1/2014	Dasbach	.....	D13/108					
D721,033 S *	1/2015	Fujioka	.....	D13/108					
D721,327 S *	1/2015	Kim	.....	D13/108					
D721,649 S *	1/2015	Tsai	.....	D13/108					
D730,283 S *	5/2015	Dorn	.....	D13/108					
D735,131 S *	7/2015	Akana	.....	D13/108					
D749,505 S *	2/2016	Verleur	.....	D13/108					
D750,020 S *	2/2016	Song	.....	D13/108					
2007/0267998 A1 *	11/2007	Cohen	.....	A47L 9/2857					
				320/109					
2011/0089891 A1 *	4/2011	Pai	.....	H02J 7/0044					
				320/107					
2013/0127408 A1	5/2013	Chang et al.							
2013/0249479 A1	9/2013	Partovi							

\* cited by examiner

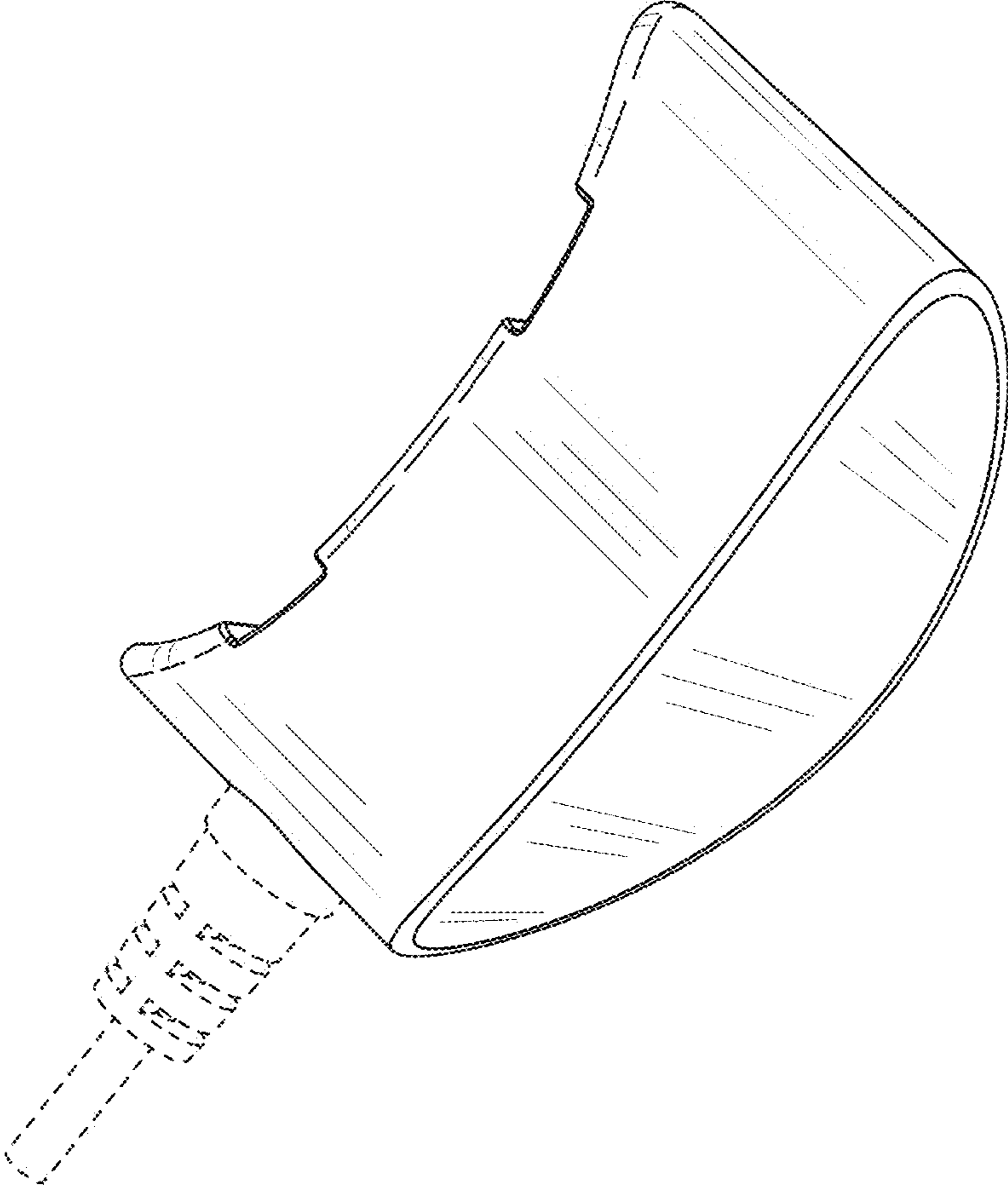


FIG. 1

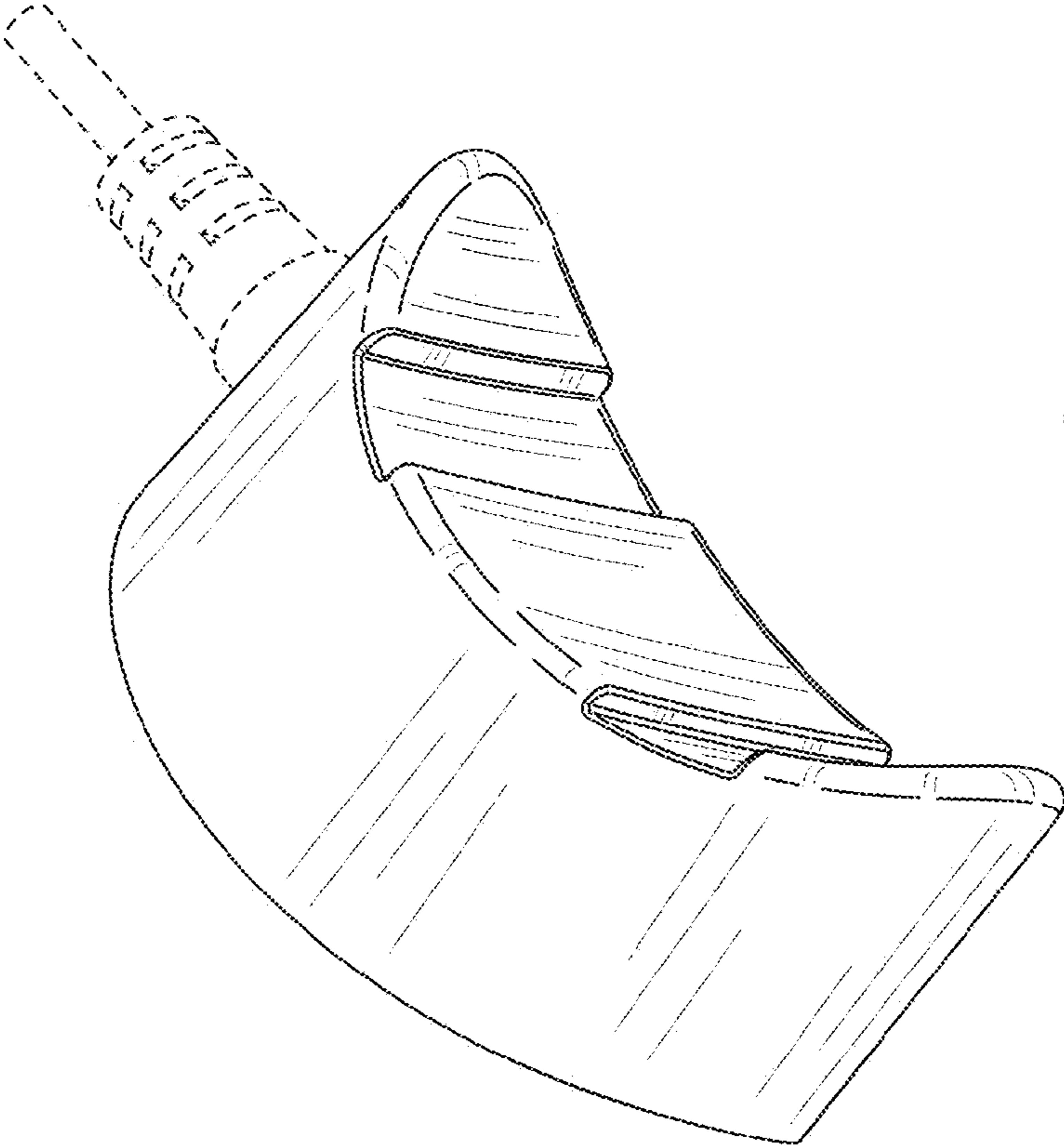


FIG. 2

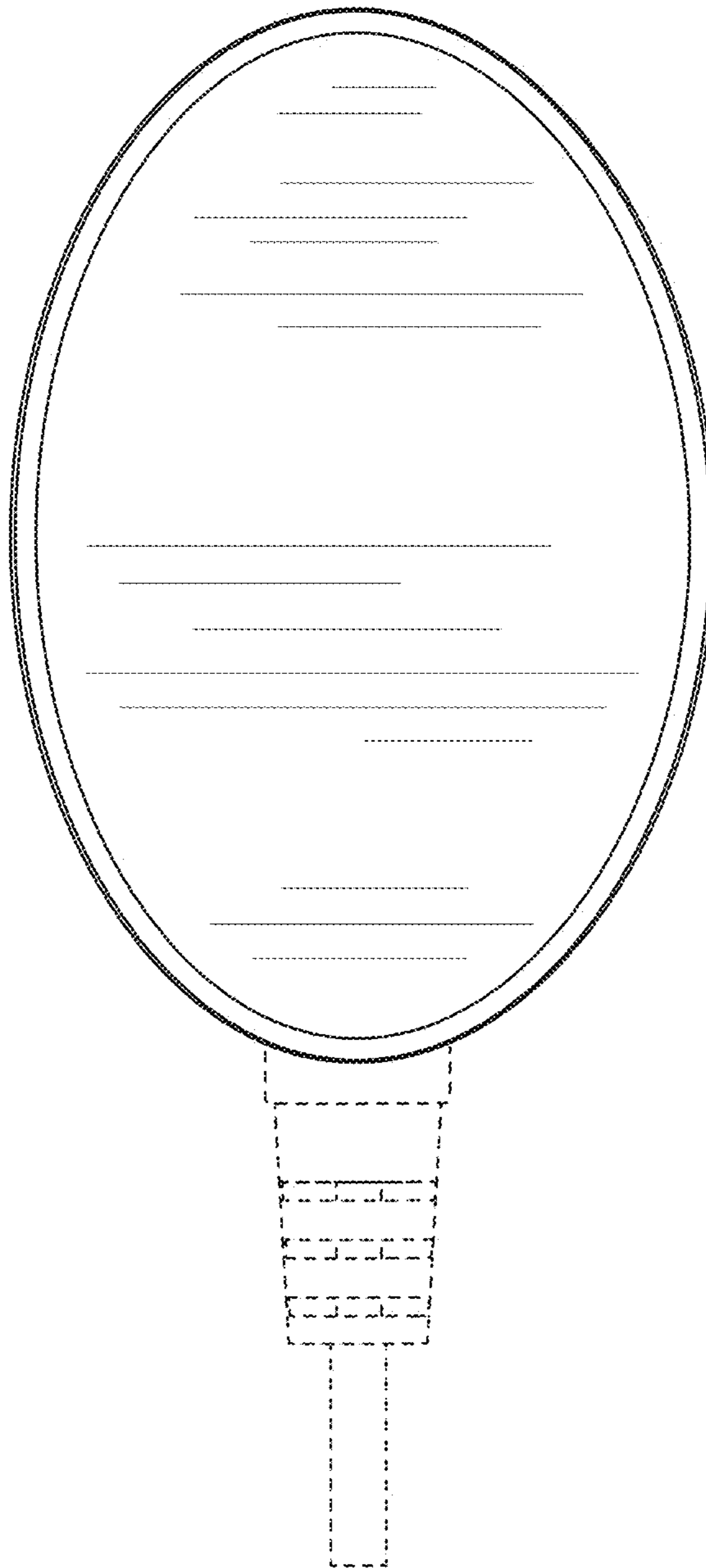


FIG. 3

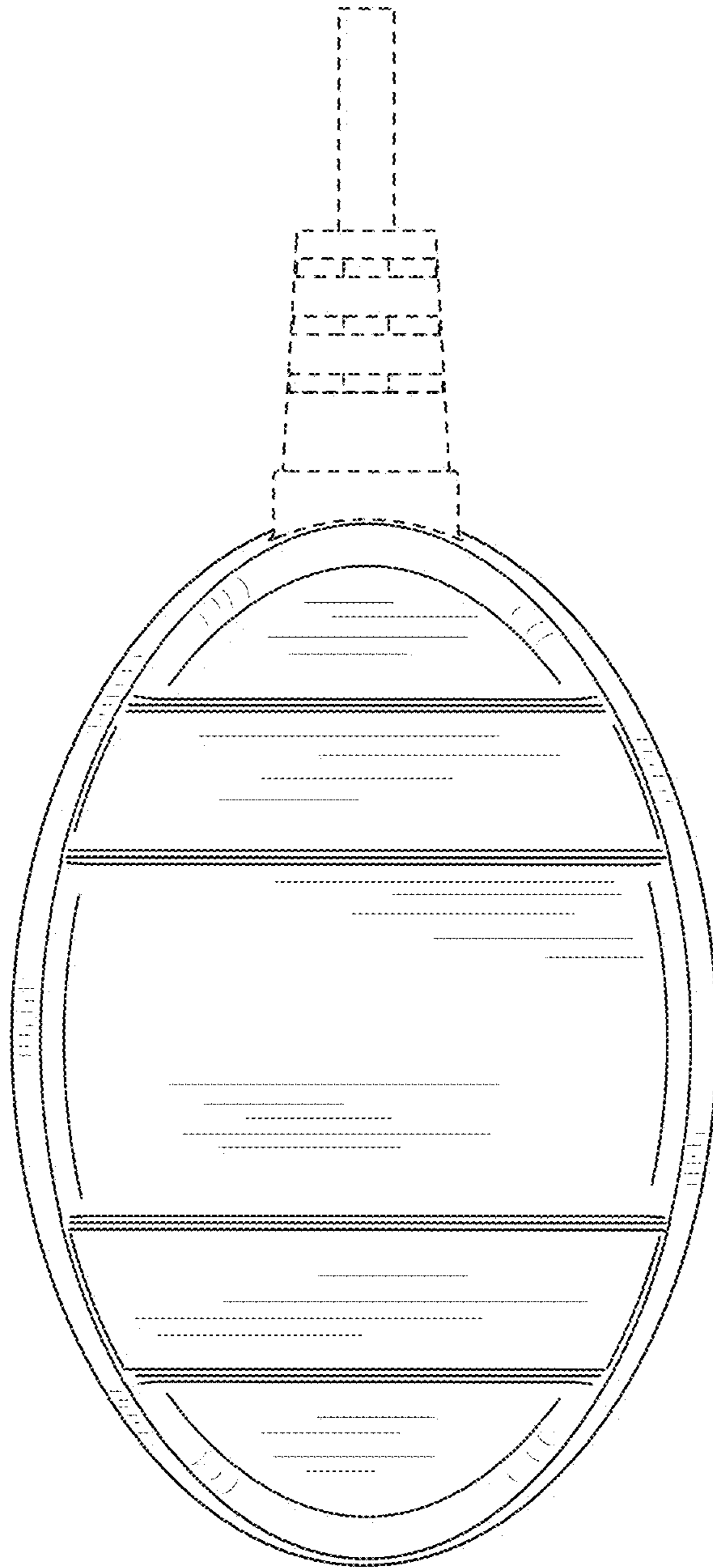


FIG. 4

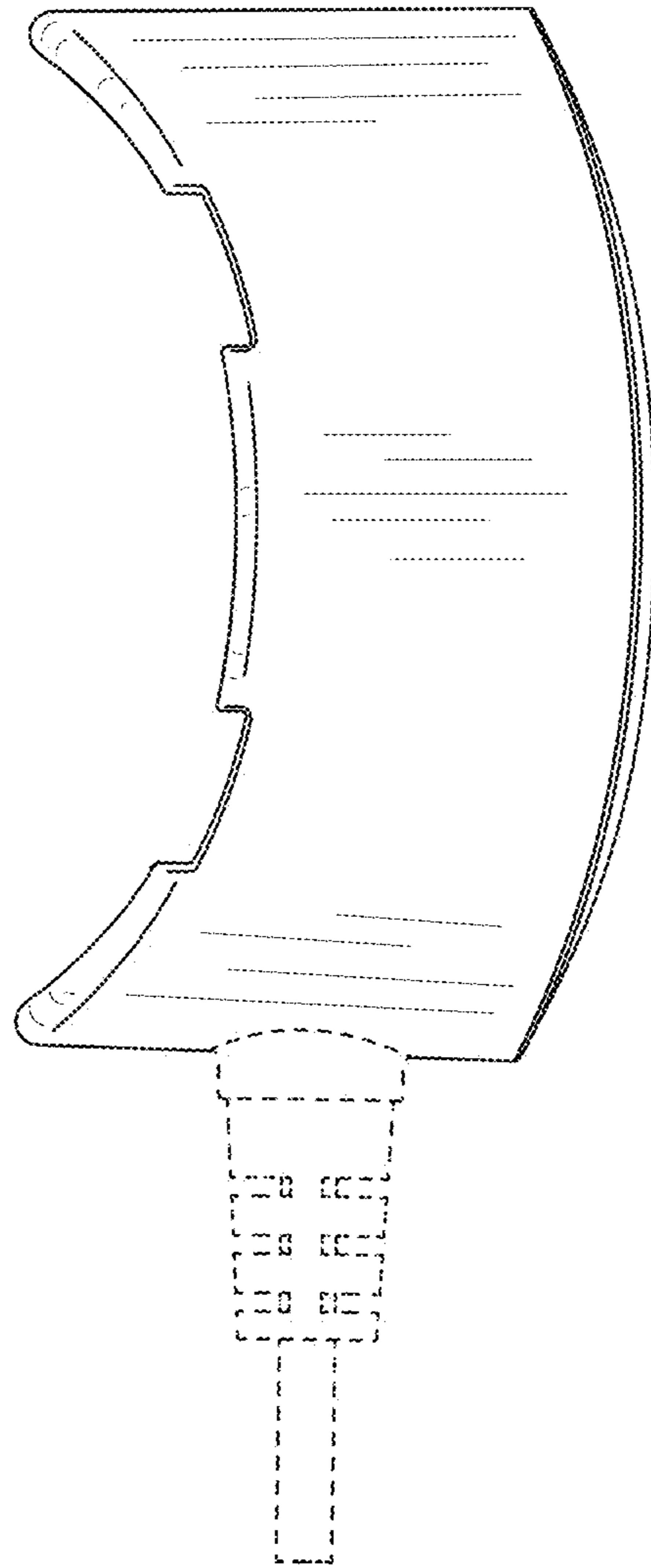


FIG. 5

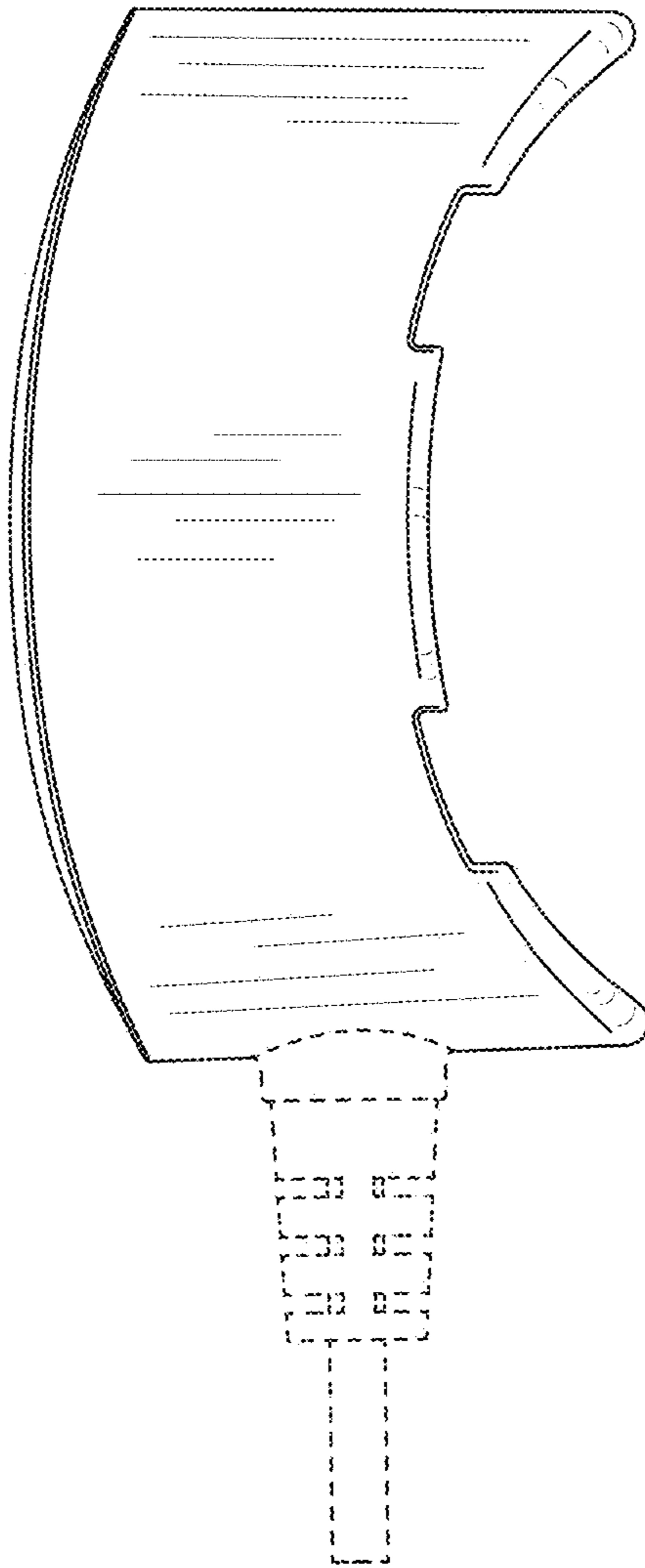


FIG. 6



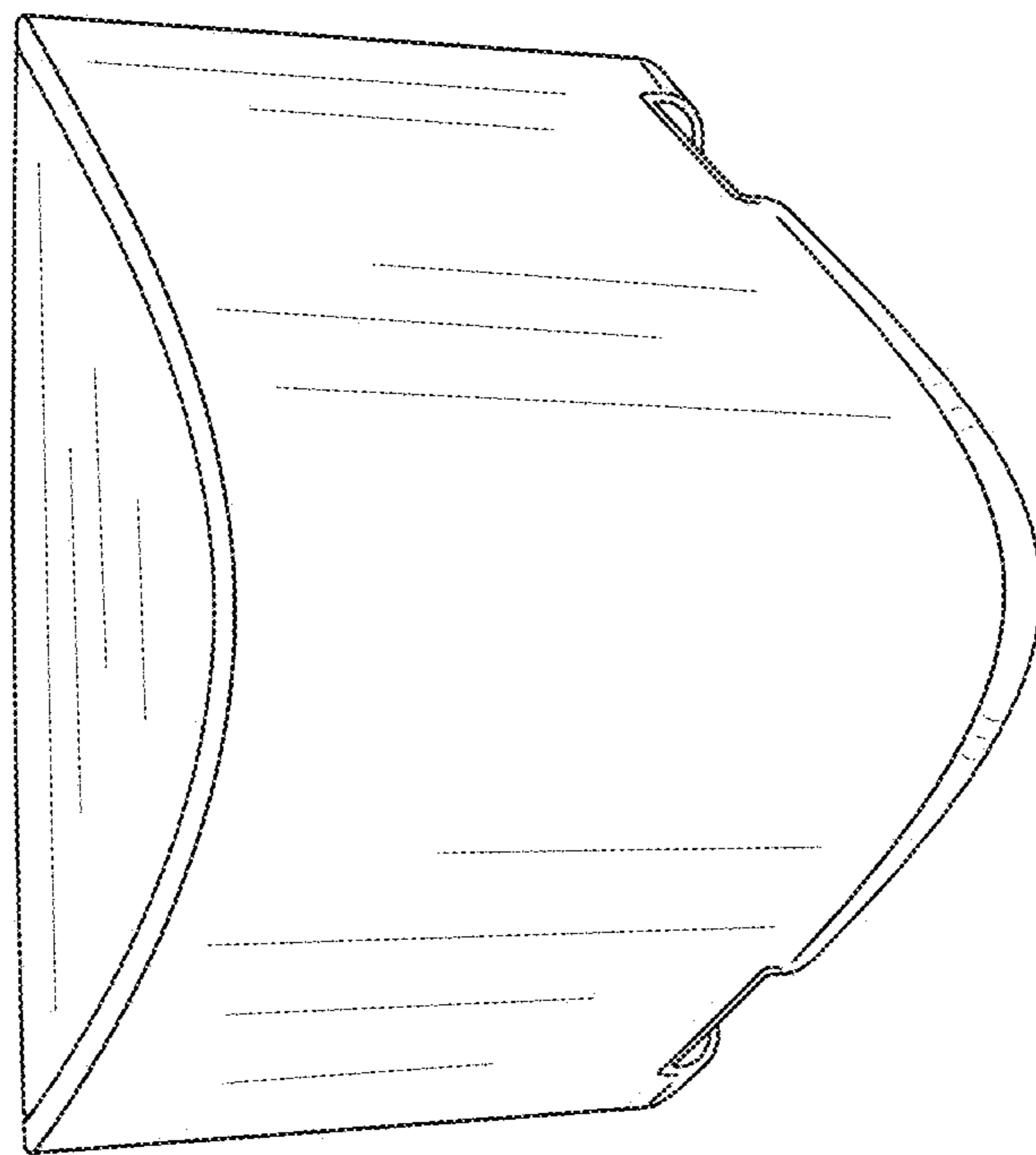


FIG. 7

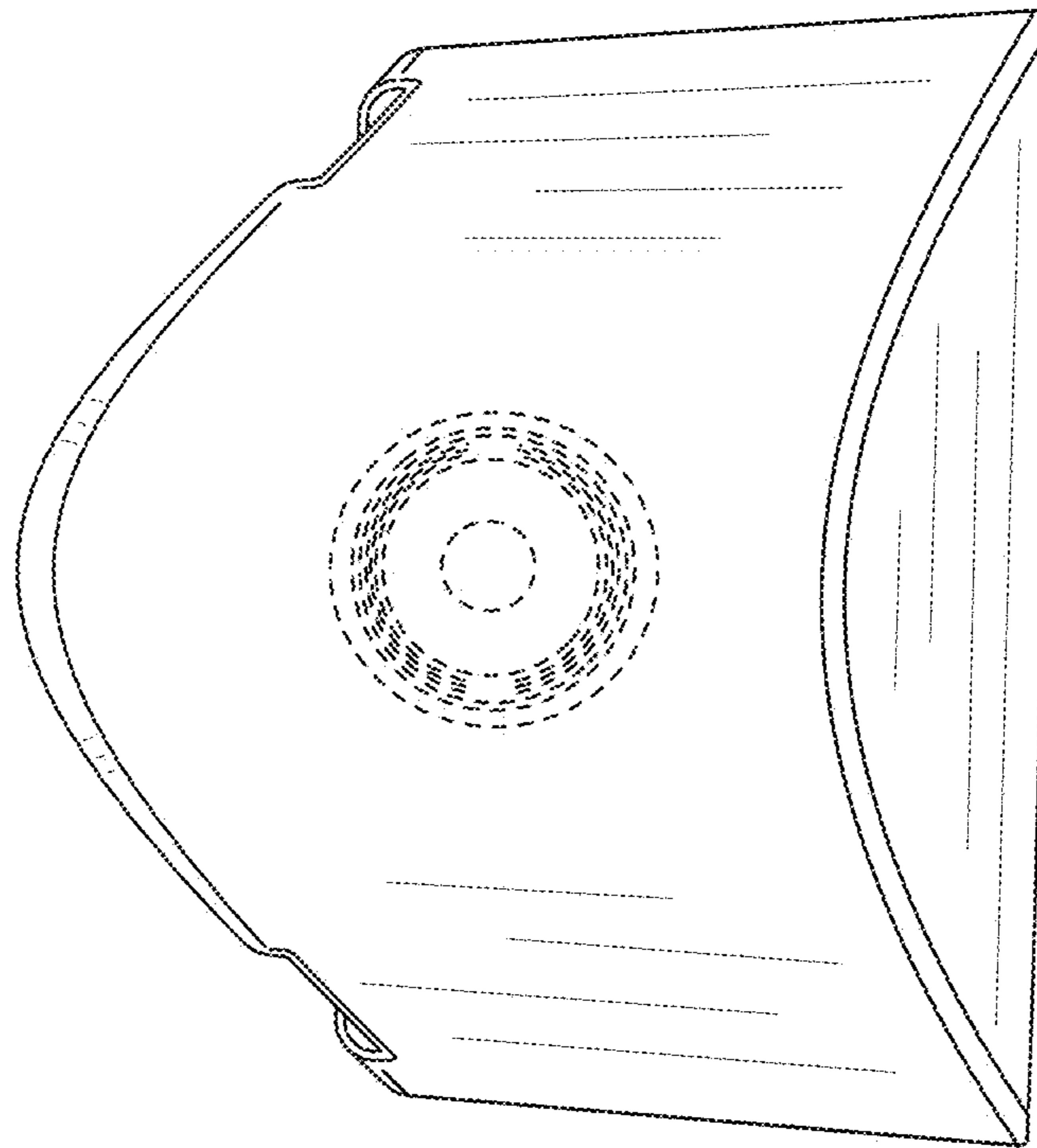


FIG. 8

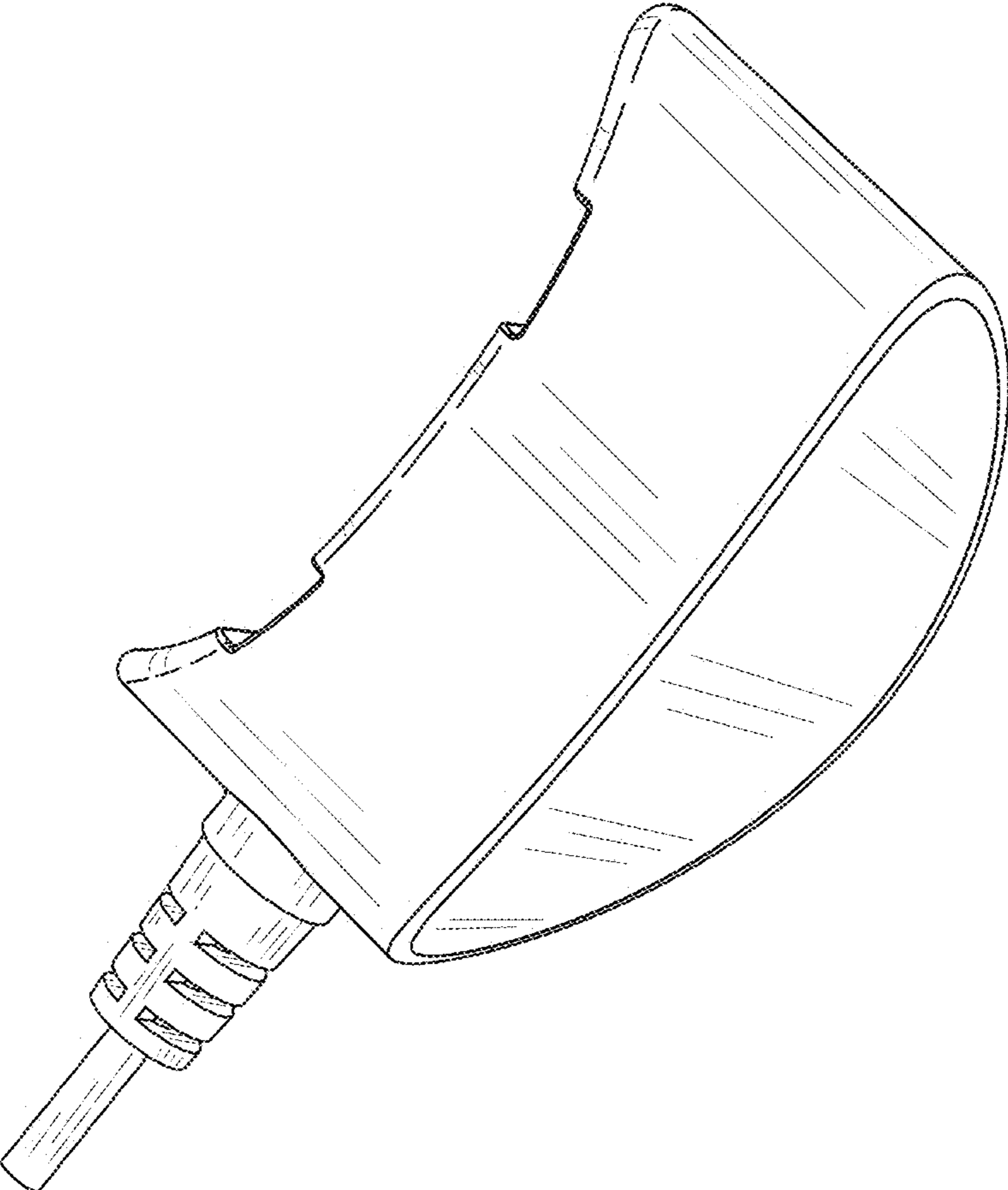


FIG. 9

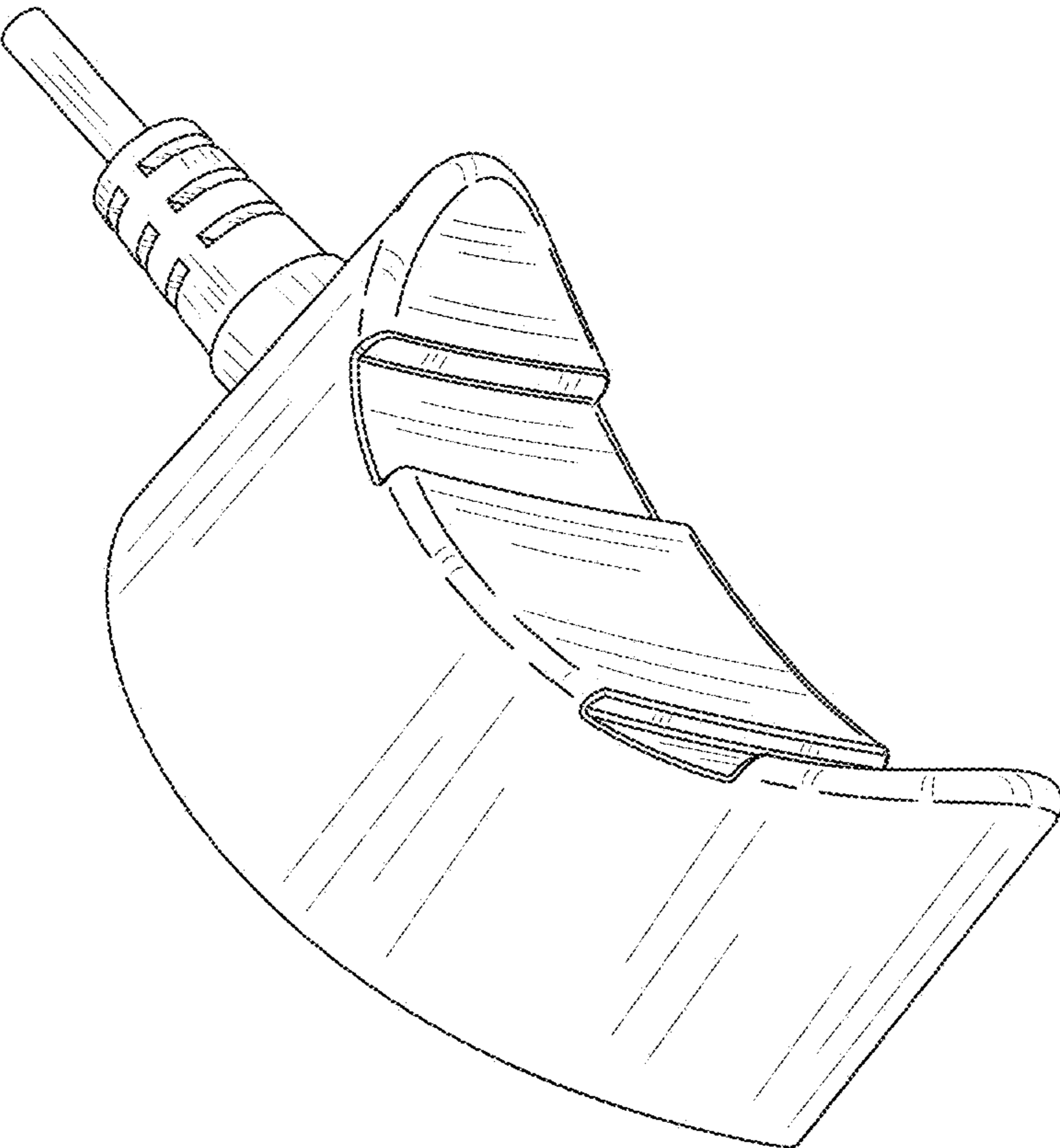


FIG. 10

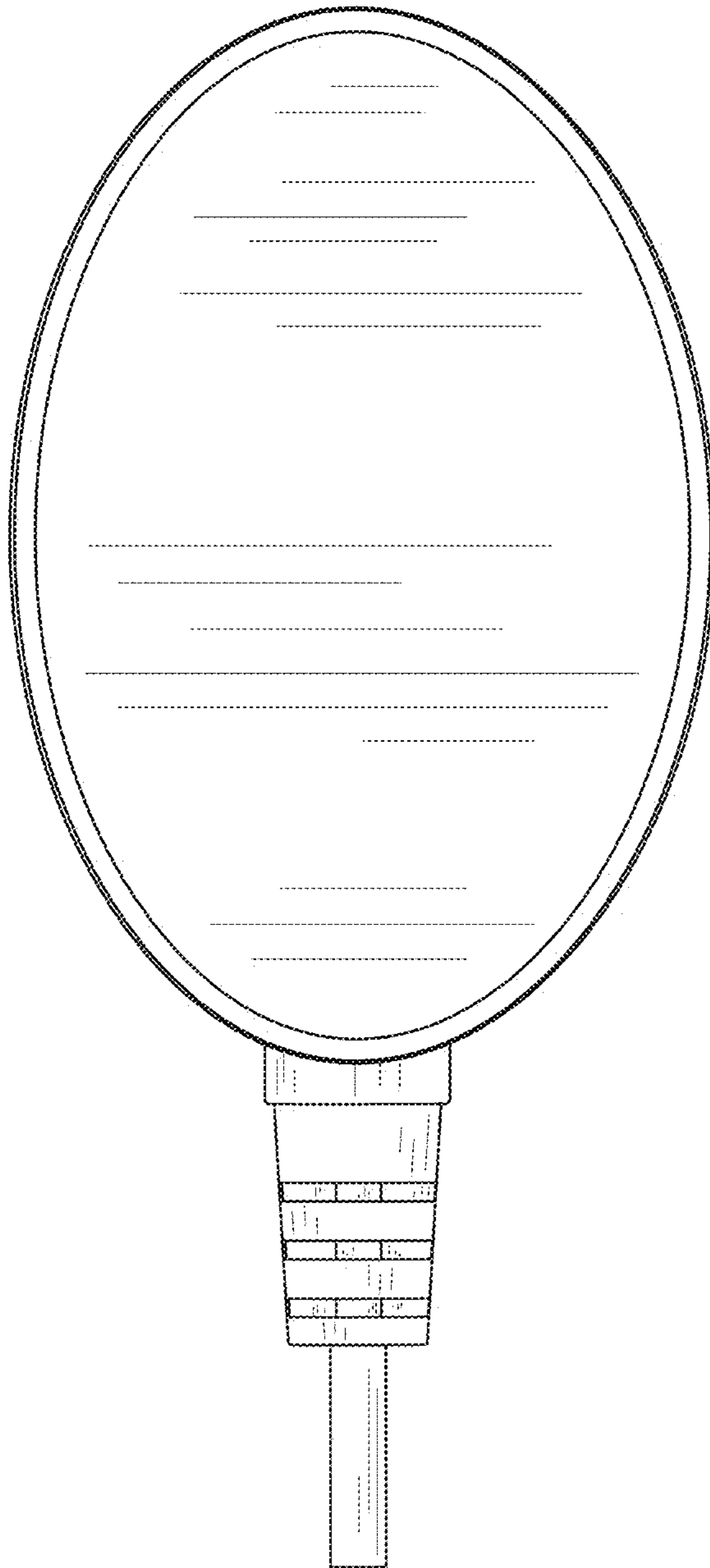


FIG. 11

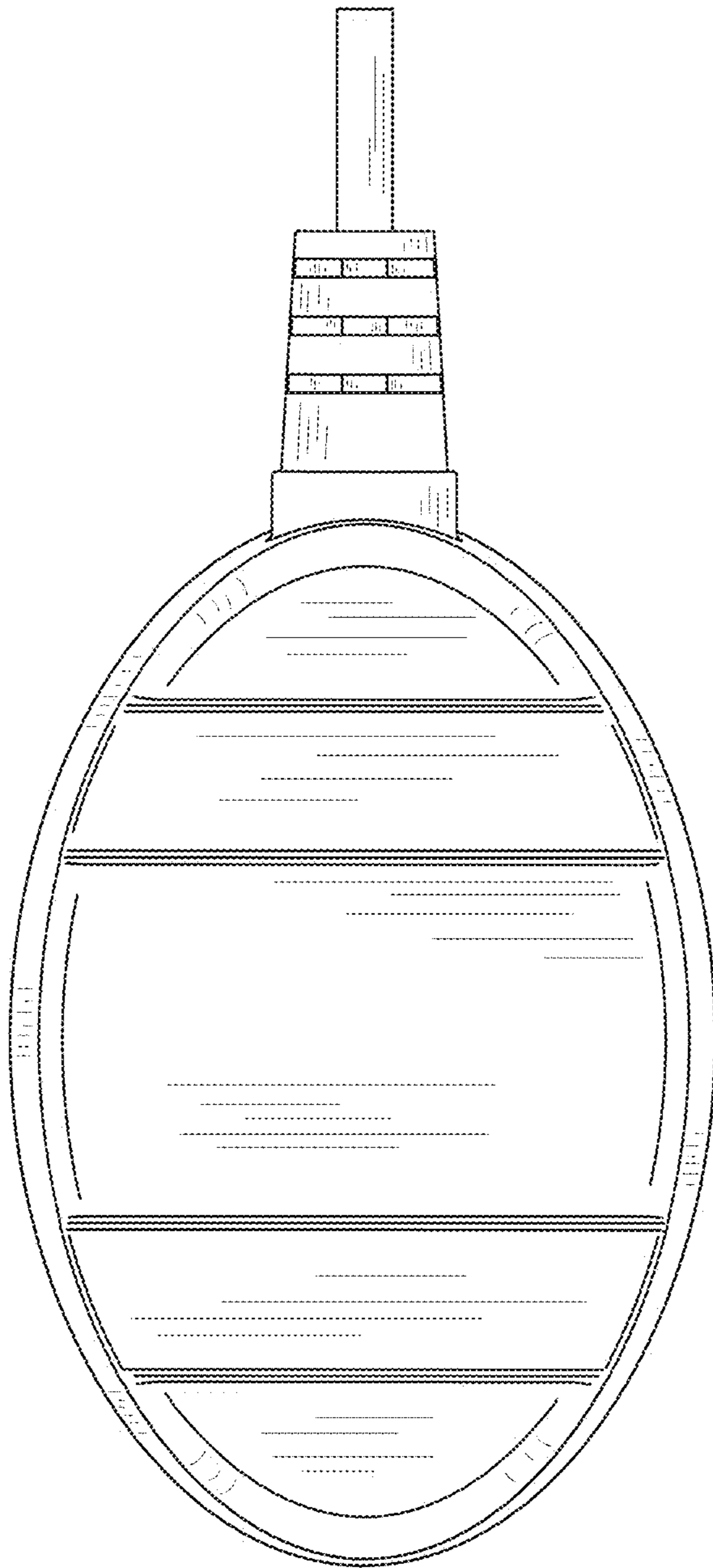


FIG. 12

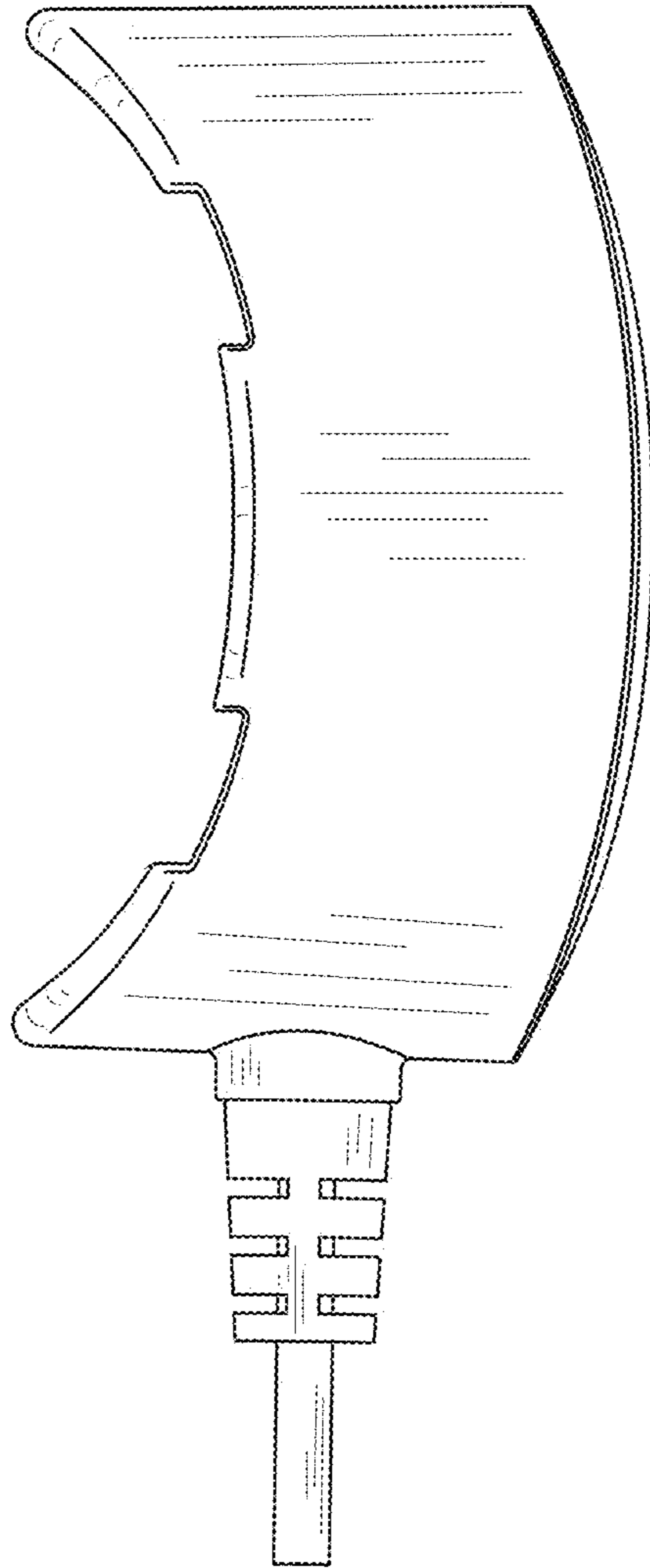


FIG. 13

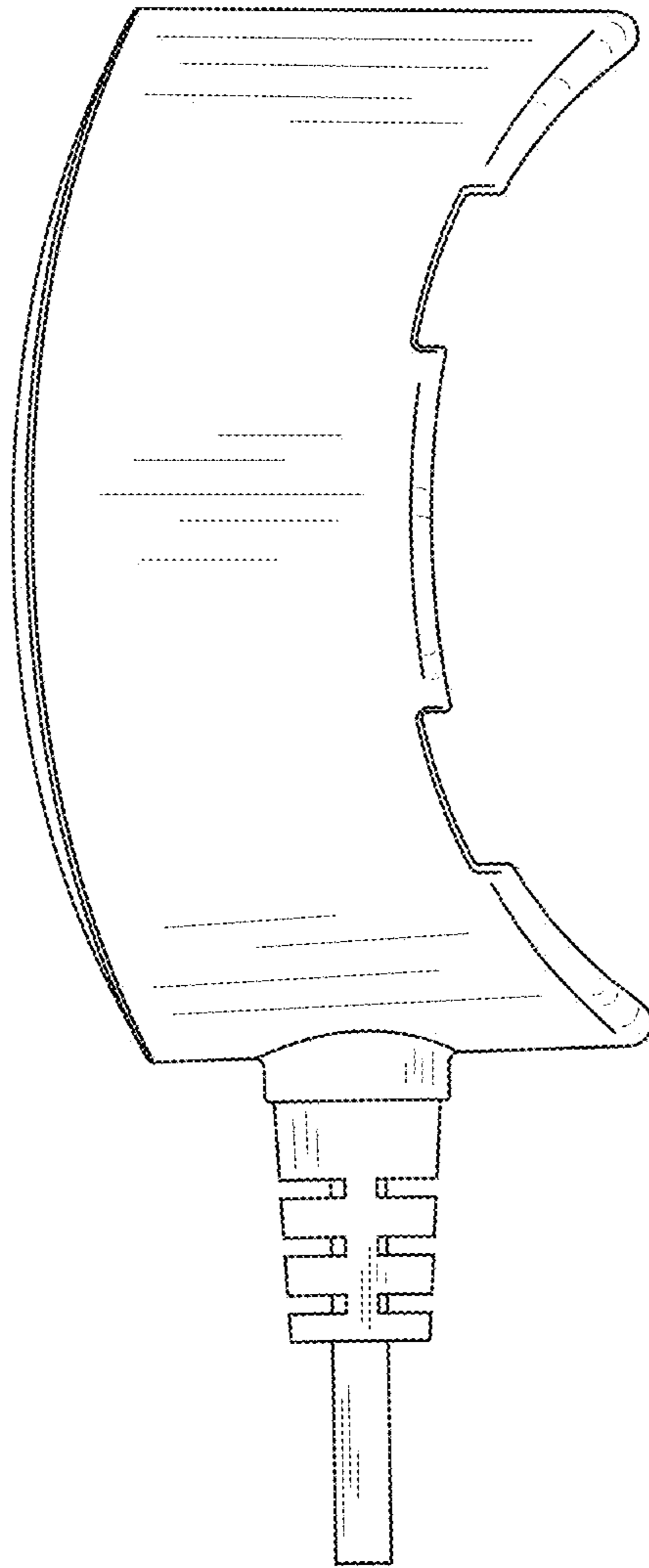


FIG. 14



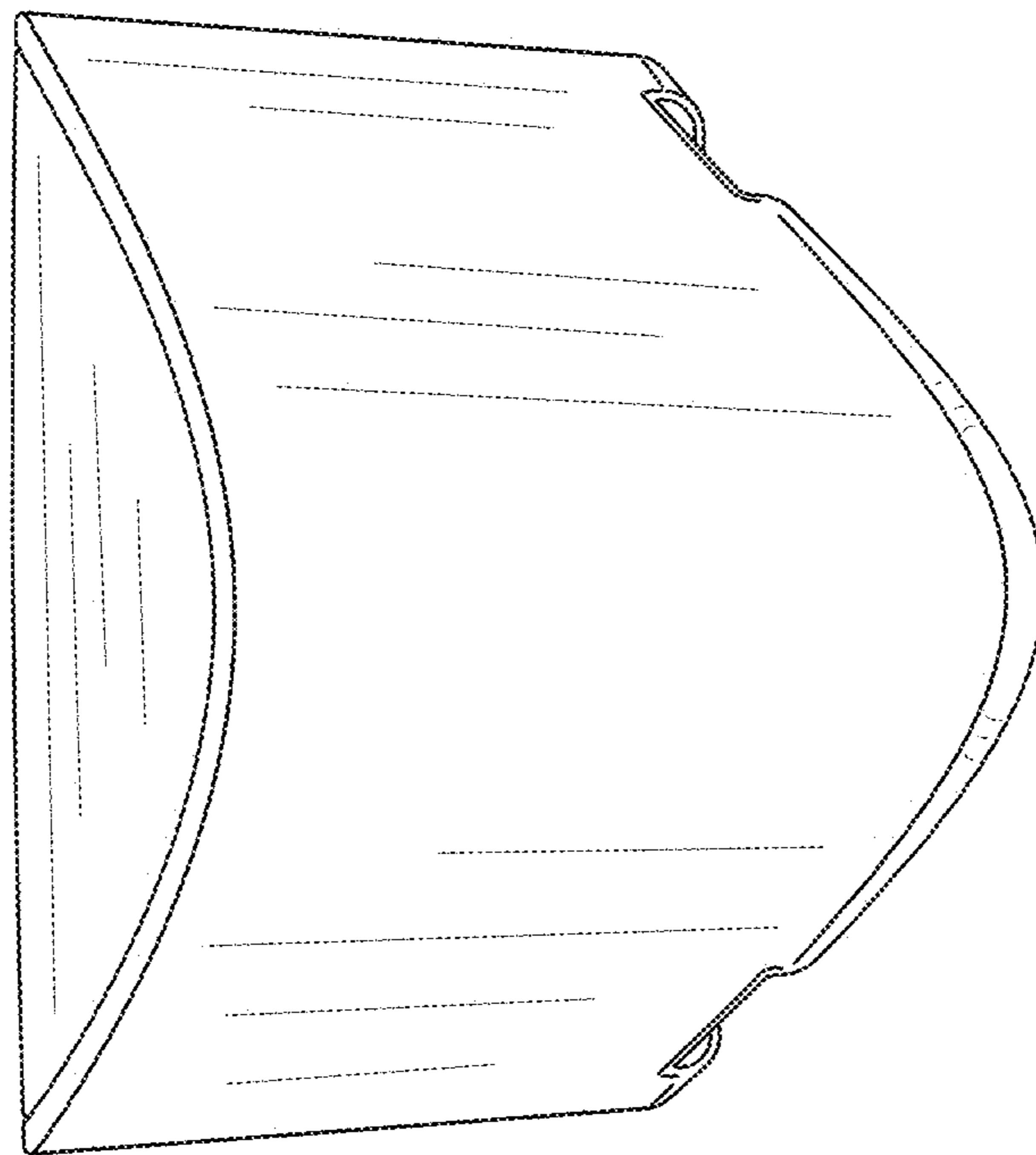


FIG. 15

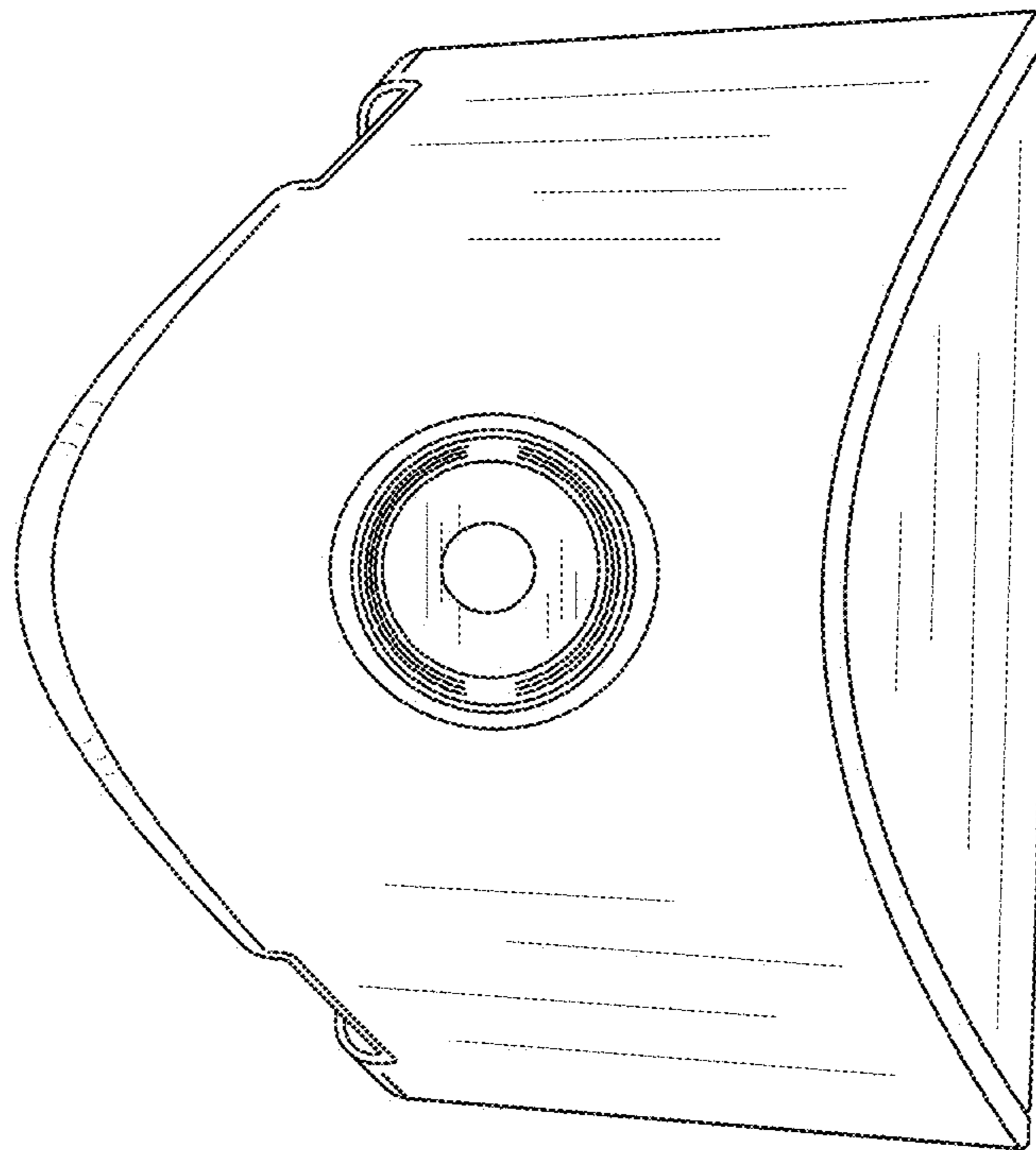


FIG. 16