



US00D766419S

(12) **United States Design Patent**  
**Merritt**

(10) **Patent No.:** **US D766,419 S**

(45) **Date of Patent:** **\*\* \*Sep. 13, 2016**

(54) **VENTED CHIMNEY CAP ASSEMBLY**

(71) Applicant: **SMOKEWARE.NET LLC**, Ponte Vedra Beach, FL (US)

(72) Inventor: **Matthew H. Merritt**, Ponte Vedra Beach, FL (US)

(73) Assignee: **SMOKEWARE.NET LLC**, Ponte Vedra Beach, FL (US)

(\*) Notice: This patent is subject to a terminal disclaimer.

(\*\*) Term: **14 Years**

(21) Appl. No.: **29/485,196**

(22) Filed: **Mar. 17, 2014**

(51) **LOC (10) Cl.** ..... **23-04**

(52) **U.S. Cl.**

USPC ..... **D23/374**; D7/402

(58) **Field of Classification Search**

USPC ..... D23/370-376, 349, 353-364, 386-393, D23/411, 499; D26/59, 72, 118; D14/230; 454/4, 5, 35, 185, 341, 365, 366, 368, 454/184, 198-211, 242-244, 248, 250-253, 454/275-277, 284, 287-289, 309; 165/244; 422/120; 55/471; D13/102, 156; D25/143; 52/95, 173.3, 198, 200  
CPC ..... E04D 1/36; E04D 1/30; E04D 13/00; E04D 13/008; E04D 13/17; E04D 13/174; E04D 13/176; E04D 13/178; F23L 17/02; F23L 17/06; F23L 17/00; F24F 7/02; F24F 7/025; F24F 11/0001; F24F 11/001; F24F 11/0012; F24F 2/4609; F24F 2/5247; H02S 20/23; H02S 20/25

See application file for complete search history.

(56) **References Cited**

**U.S. PATENT DOCUMENTS**

61,387 A \* 1/1867 Beuwkes ..... 454/35  
77,047 A \* 4/1868 Jauss ..... 454/35

152,994 A \* 7/1874 Hinckley et al. .... 454/35  
183,300 A \* 10/1876 Harmon ..... 454/35  
291,919 A \* 1/1884 Matthews ..... 454/38  
314,238 A \* 3/1885 Harry ..... 454/35  
944,831 A \* 12/1909 Terramorse ..... 454/4  
972,378 A \* 10/1910 Huffman et al. .... 454/4  
1,103,734 A \* 7/1914 Belknap ..... 454/35  
1,328,647 A \* 1/1920 Reinhold ..... 454/35  
1,430,068 A \* 9/1922 Filkins ..... 454/35  
1,476,613 A \* 12/1923 Hodel ..... 454/38  
1,509,996 A \* 9/1924 Elting ..... 454/34

(Continued)

**OTHER PUBLICATIONS**

Big Green Egg Vent Cap (Stainless Steel Vented Chimney Cap) smokeware.net [online] 3 pgs . . . Posted as early as Dec. 6, 2012 [retrieved on Feb. 18, 2015]. Retrieved from Internet: <http://smokeware.net/Vented\_Chimney\_Caps/Stainless\_Steel\_Vented\_Chimney\_Cap.html>.\*

*Primary Examiner* — Susan Bennett Hattan

*Assistant Examiner* — Marie Fast Horse

(74) *Attorney, Agent, or Firm* — Mark Young, PA

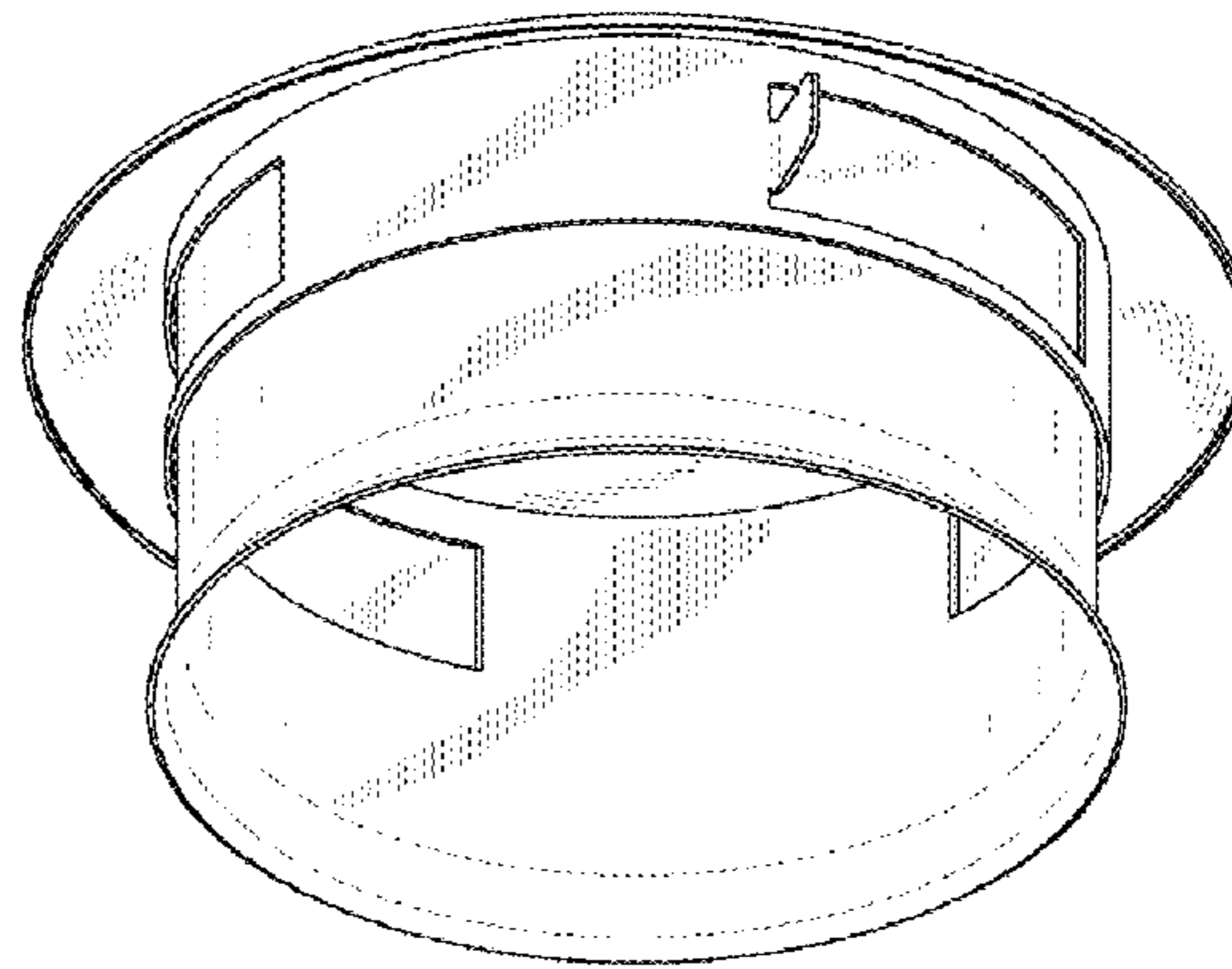
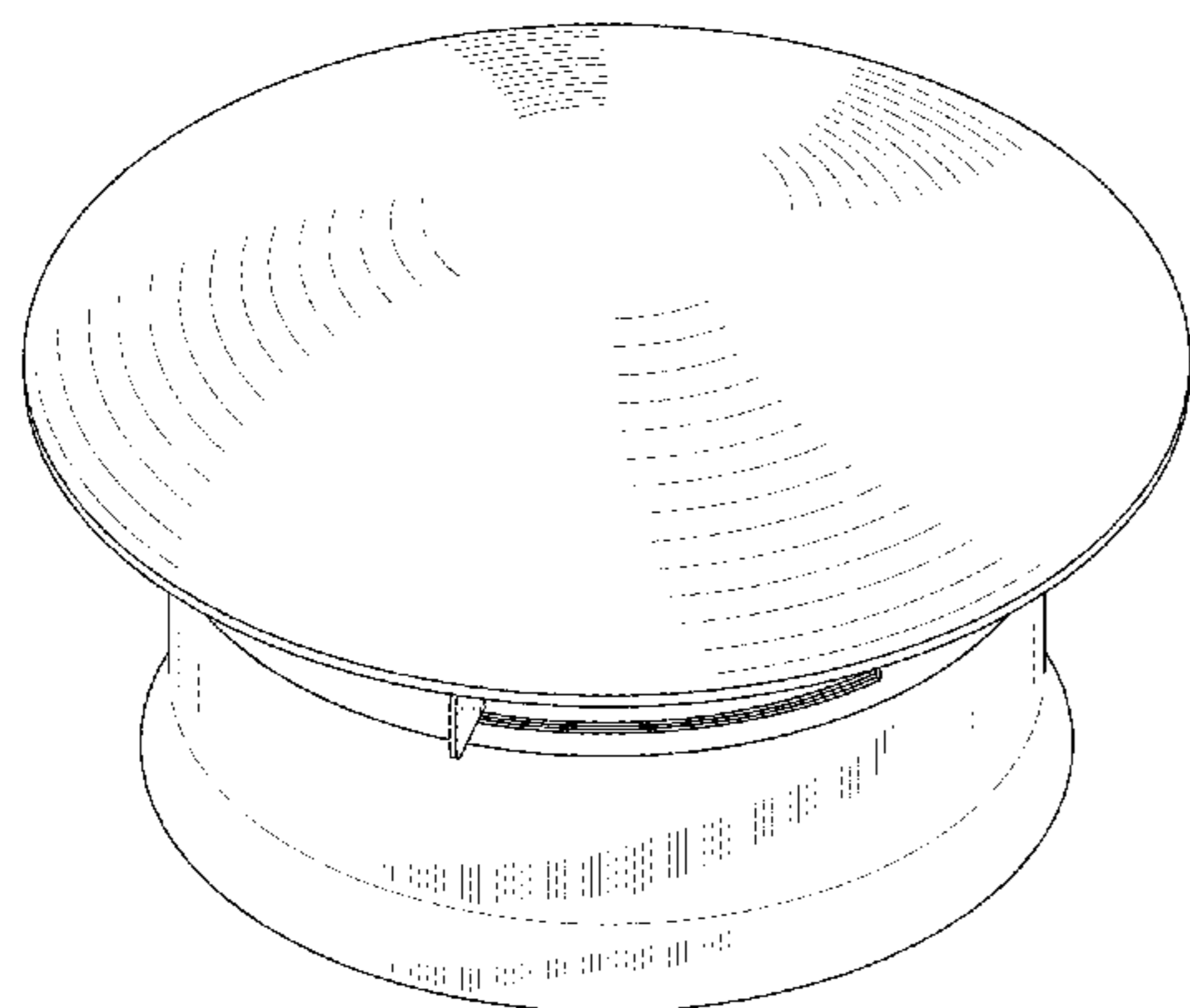
(57) **CLAIM**

The ornamental design for a vented chimney cap assembly, as shown and described.

**DESCRIPTION**

FIG. 1 is a side, top-perspective view showing my new design, with vent open;  
FIG. 2 is a side, bottom-perspective view thereof;  
FIG. 3 is a top view thereof;  
FIG. 4 is a bottom view thereof;  
FIG. 5 is a right side view thereof;  
FIG. 6 is a left side view thereof;  
FIG. 7 is a right side view thereof;  
FIG. 8 is a left side view thereof; and,  
FIG. 9 is a side, bottom perspective view thereof with vent closed.

**1 Claim, 7 Drawing Sheets**



(56)

References Cited

U.S. PATENT DOCUMENTS

1,542,740 A \* 6/1925 Spillman ..... 454/367  
1,545,618 A \* 7/1925 Sundahl ..... 454/36  
1,588,321 A \* 6/1926 Lord ..... 454/35  
1,728,494 A \* 9/1929 Knutson ..... 454/36  
1,785,228 A \* 12/1930 Schmidt ..... 454/33  
1,794,908 A \* 3/1931 Kreft ..... 55/385.1  
1,893,272 A \* 1/1933 Clay ..... 454/361  
2,581,992 A \* 1/1952 Wilder ..... 454/35  
2,695,554 A \* 11/1954 Jenson et al. .... 454/35

D253,371 S \* 11/1979 Schrank ..... D23/360  
D259,208 S \* 5/1981 McCullough ..... D23/376  
6,143,341 A \* 11/2000 Sikes ..... 426/510  
6,206,774 B1 \* 3/2001 Dexter et al. .... 454/5  
6,500,061 B1 \* 12/2002 Ambrose ..... 454/9  
6,954,947 B1 \* 10/2005 Williams, Jr. .... 4/218  
6,997,801 B1 \* 2/2006 Green ..... 454/368  
D609,798 S \* 2/2010 Matejczuk ..... D23/374  
D720,056 S \* 12/2014 Maki et al. .... D23/322  
2008/0207105 A1 \* 8/2008 Huta ..... 454/4  
2013/0225057 A1 8/2013 Merritt

\* cited by examiner

FIG. 1

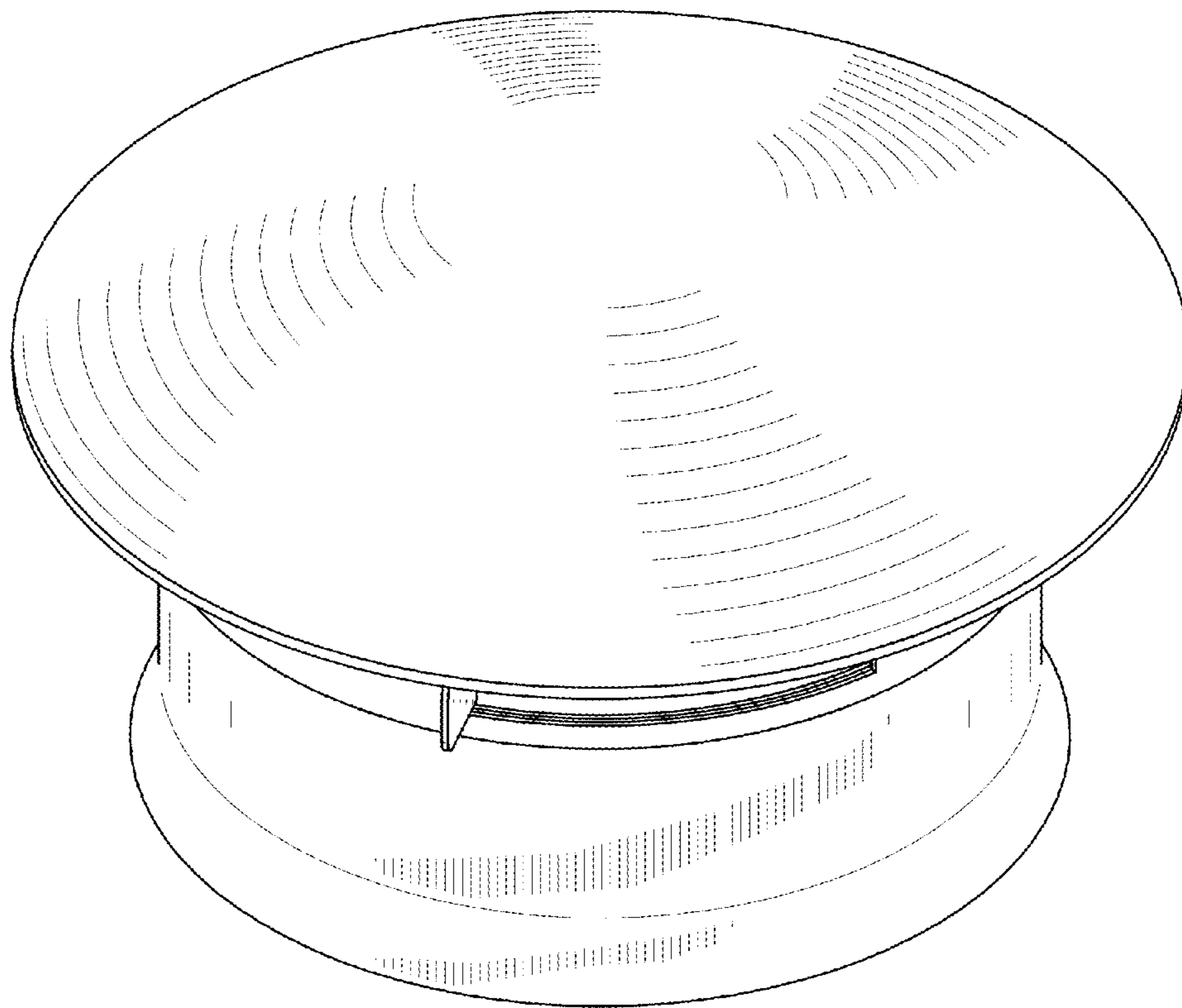


FIG. 2

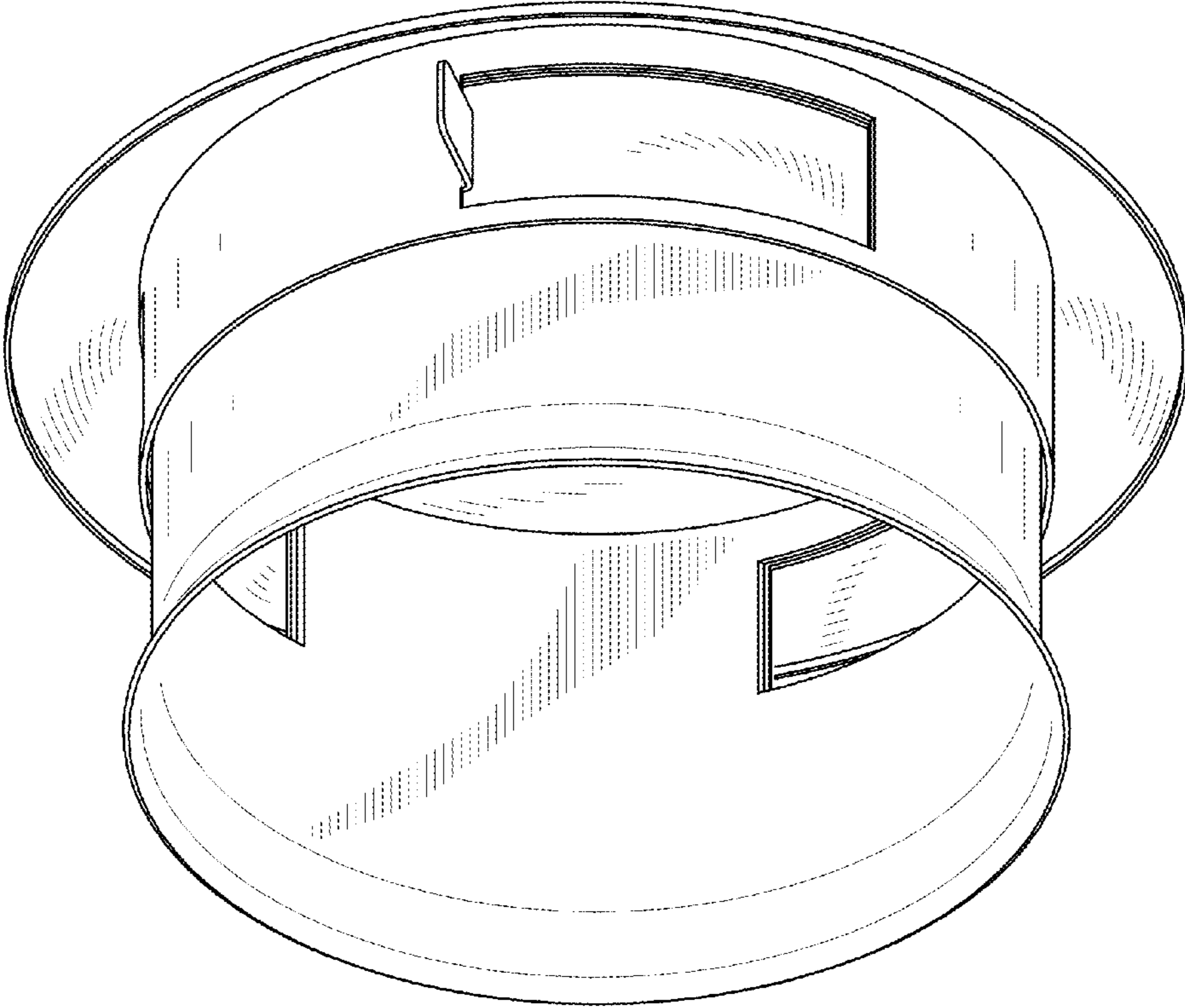


FIG. 3

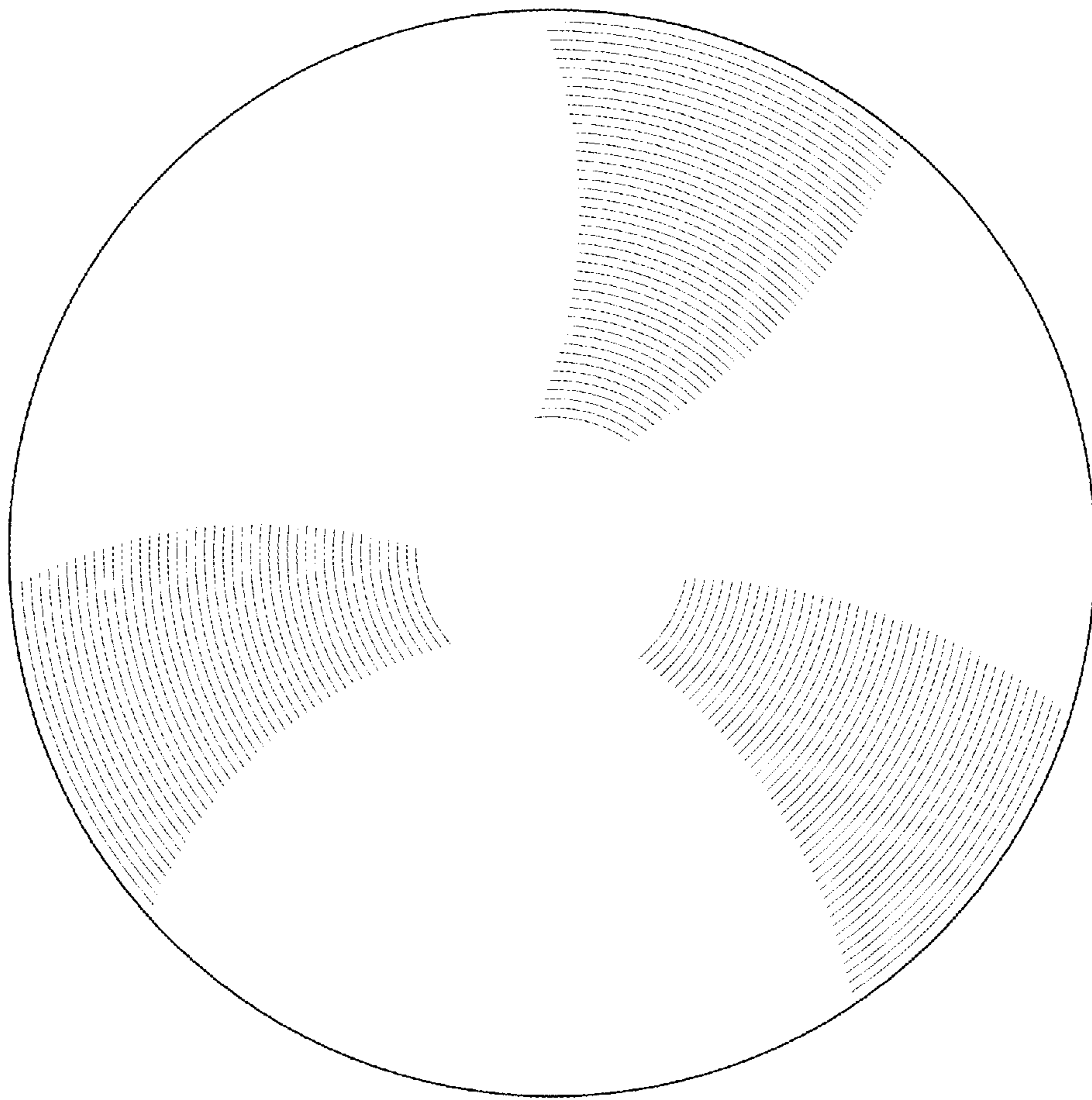


FIG. 4

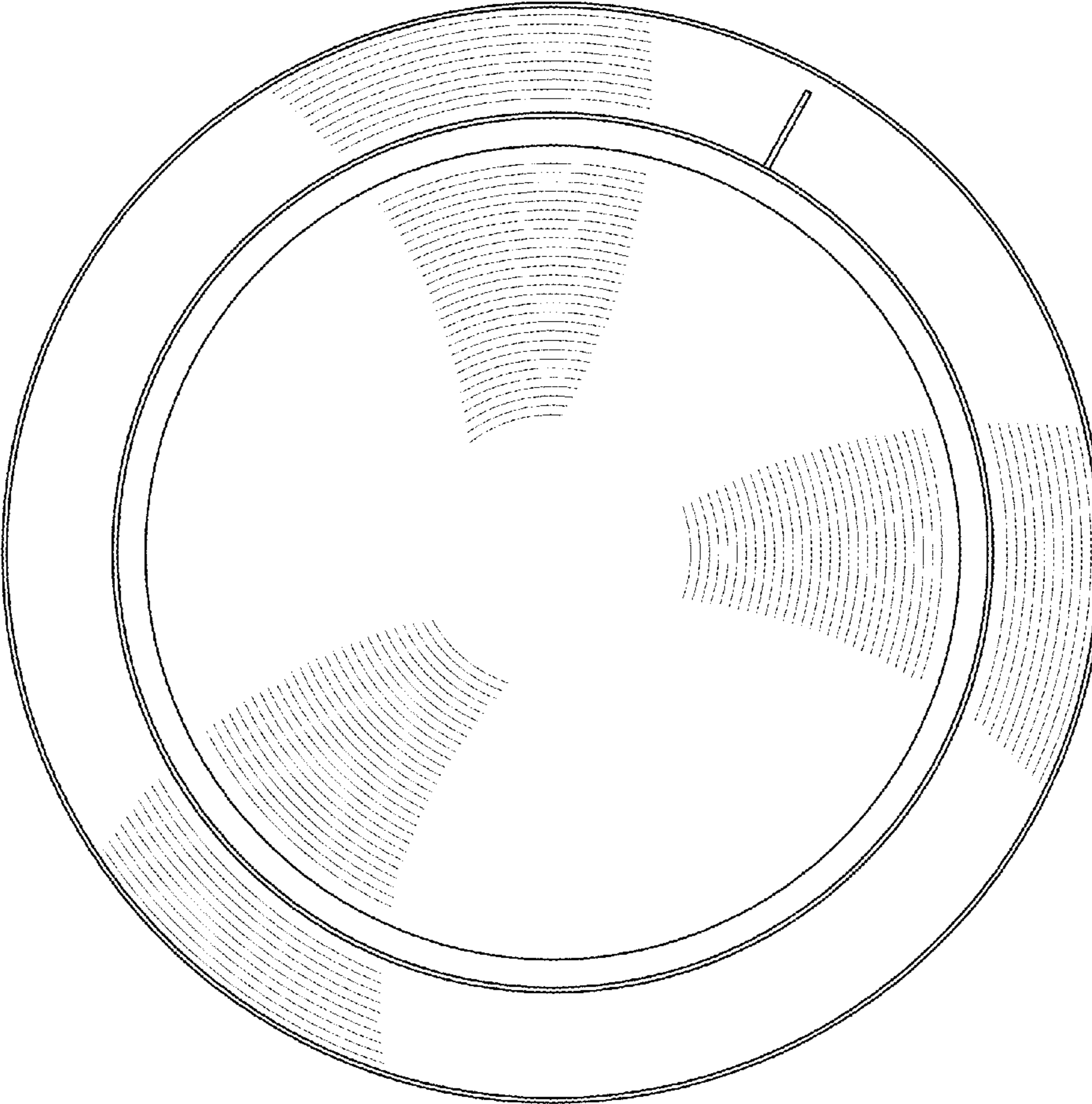


FIG. 5

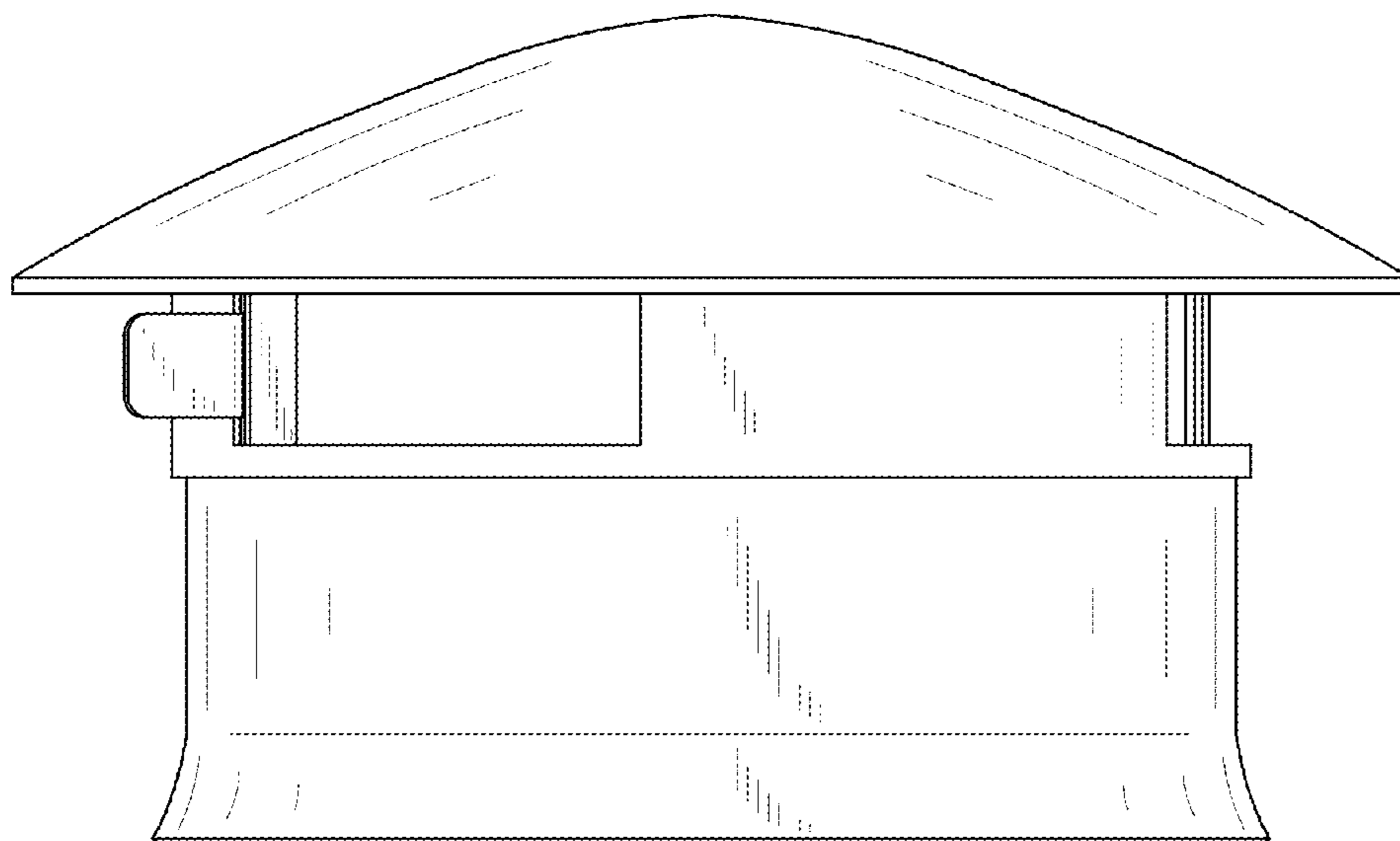


FIG. 6

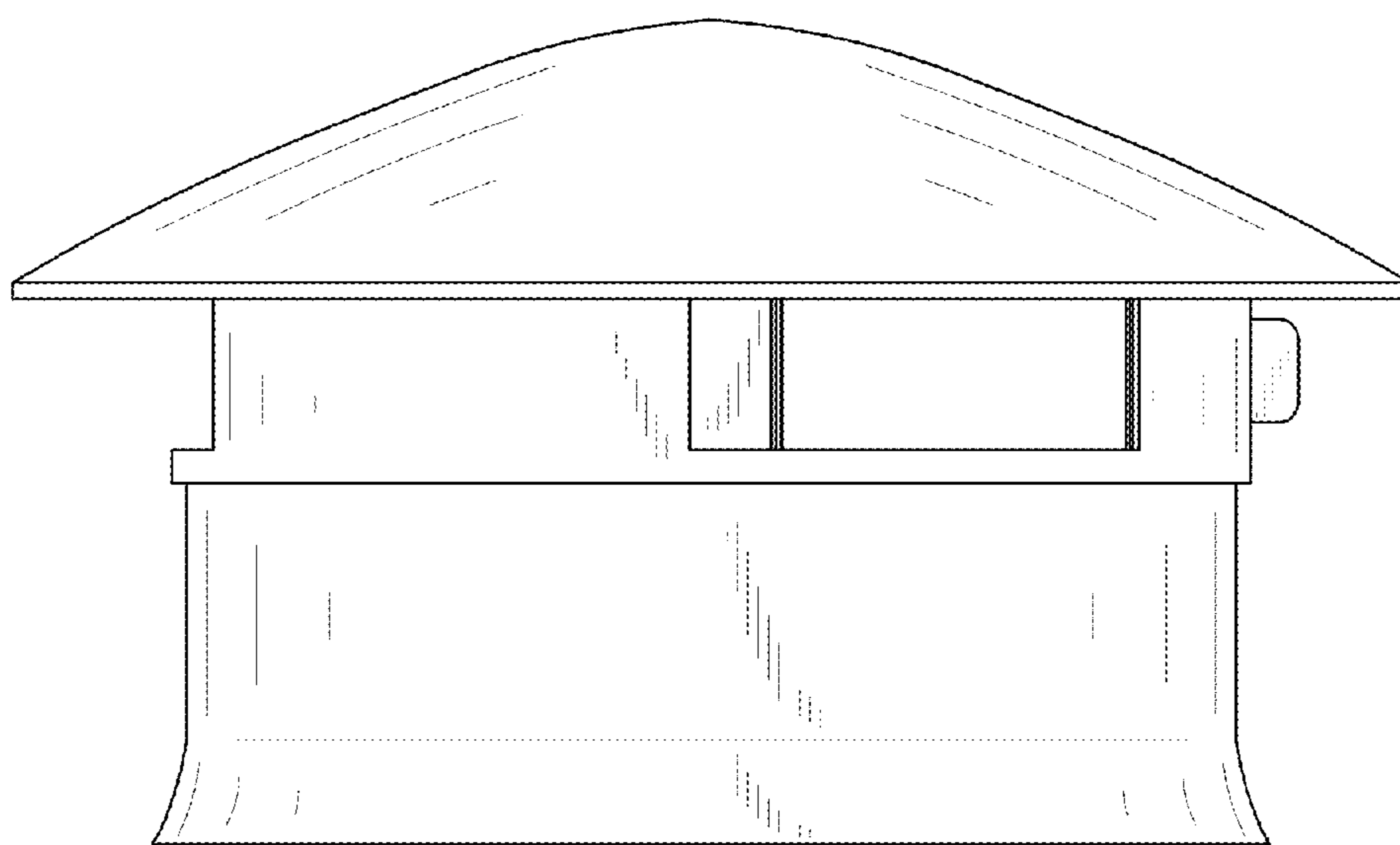


FIG. 7

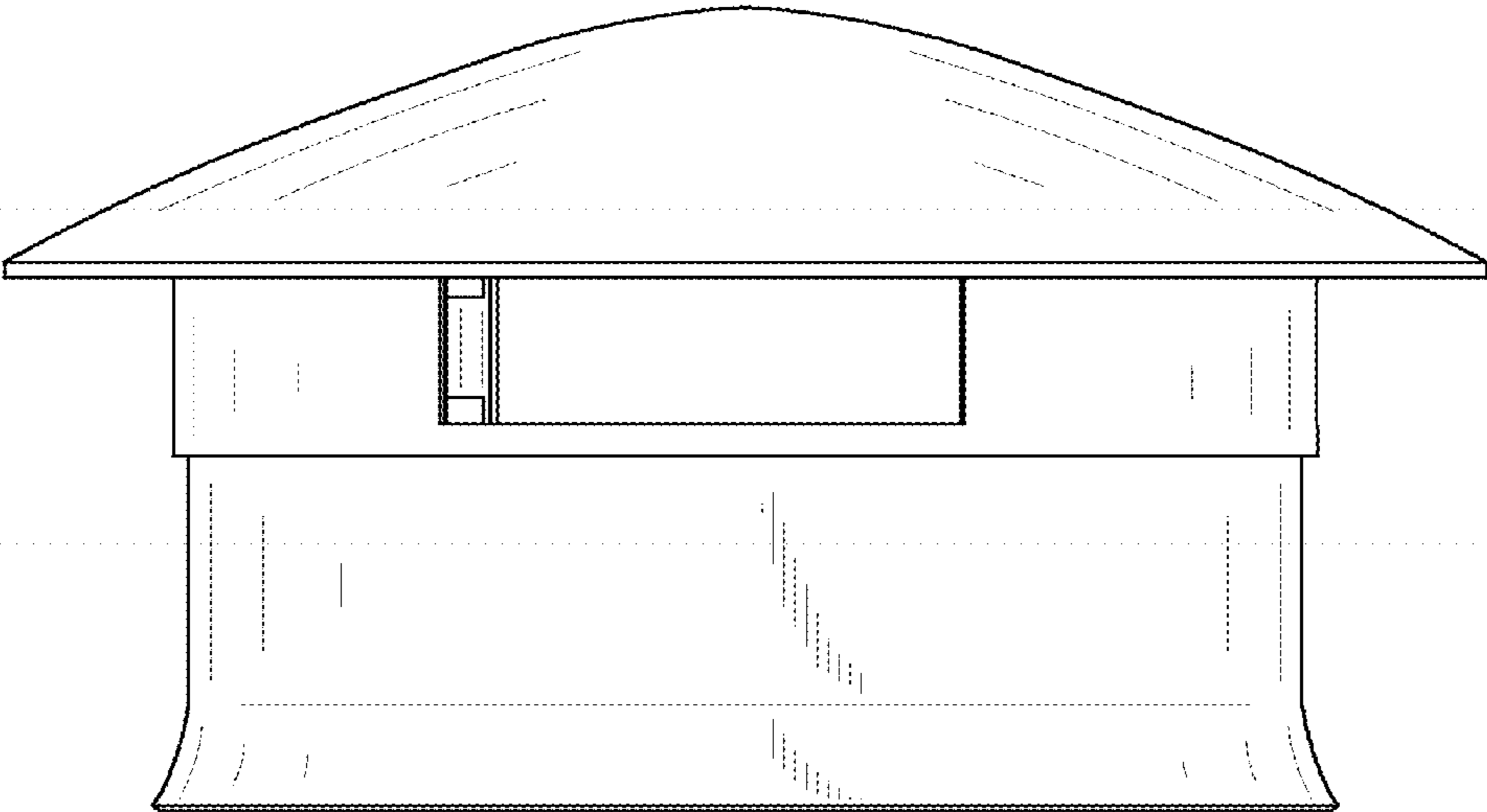


FIG. 8

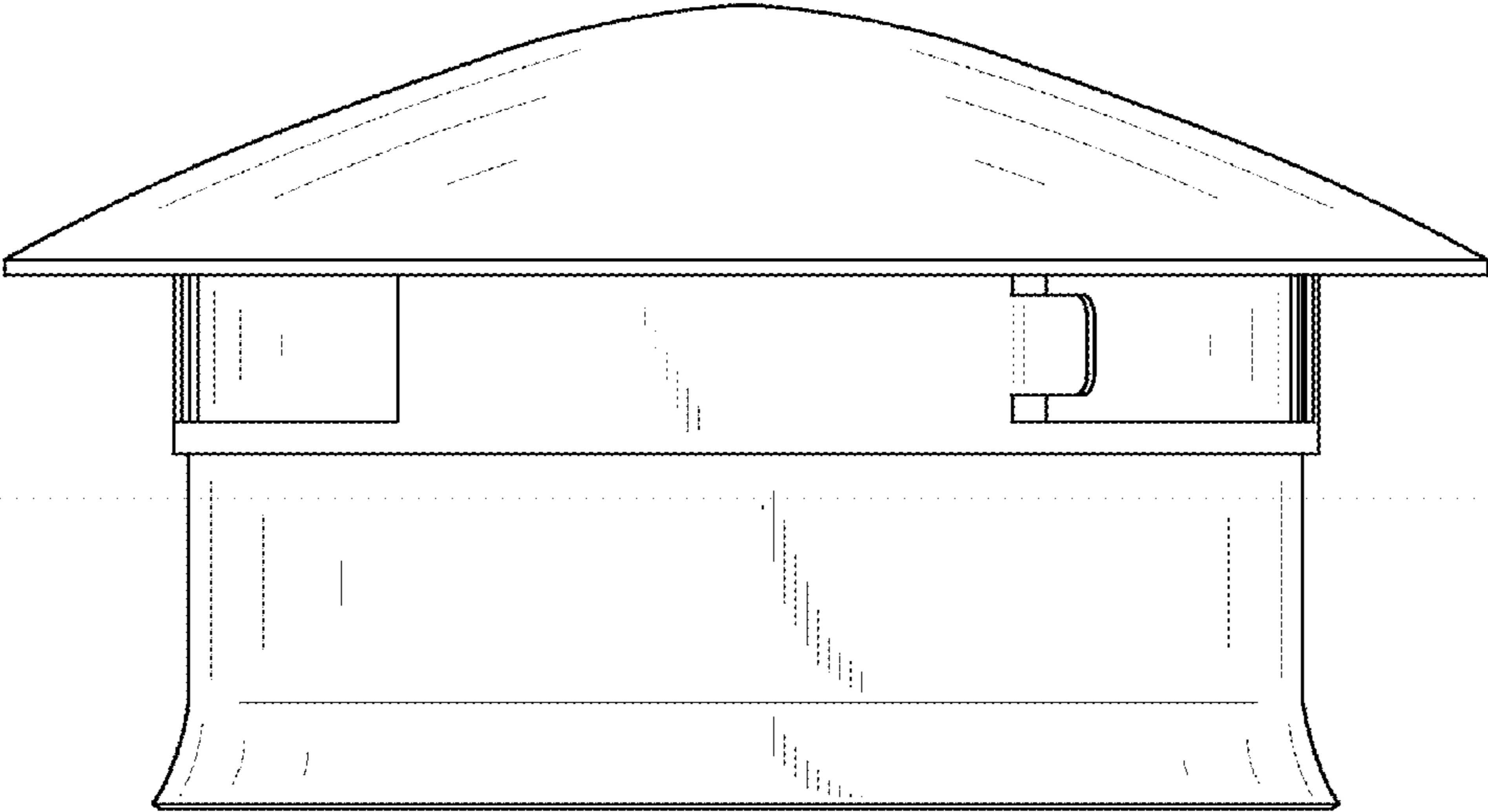




FIG. 9

