



US00D766413S

(12) **United States Design Patent** (10) **Patent No.:** **US D766,413 S**
Zhou (45) **Date of Patent:** **** Sep. 13, 2016**

(54) **PANEL FOR AIR CONDITIONER**
(71) Applicant: **Bin Zhou**, Shanghai (CN)
(72) Inventor: **Bin Zhou**, Shanghai (CN)
(73) Assignee: **DAIKIN INDUSTRIES LTD.**,
Osaka-Shi, Osaka-Fu (JP)
(**) Term: **14 Years**

D452,556 S * 12/2001 Kurokawa D23/354
D512,503 S * 12/2005 Roland D23/370
D539,883 S * 4/2007 Lee D23/351
D560,787 S * 1/2008 Yoo D23/351
D568,976 S * 5/2008 Choi D23/353
D588,257 S * 3/2009 Reedy D23/388
D595,821 S * 7/2009 Buron D23/314
D616,084 S * 5/2010 Lingrey D23/353
D631,146 S * 1/2011 Shu D23/366
D636,474 S * 4/2011 Choi D23/351
D641,852 S * 7/2011 Satou D23/351

(21) Appl. No.: **29/497,431**
(22) Filed: **Jul. 24, 2014**

* cited by examiner

Primary Examiner — Susan E Krakower
Assistant Examiner — Lisa A Grabenstetter
(74) *Attorney, Agent, or Firm* — Manabu Kanesaka

(30) **Foreign Application Priority Data**

Jan. 29, 2014 (CN) 2014 3 0024232

(51) **LOC (10) Cl.** **23-04**
(52) **U.S. Cl.**
USPC **D23/354**

(57) **CLAIM**

The ornamental design for a panel for air conditioner, as shown and described.

(58) **Field of Classification Search**
USPC D23/314, 317, 324, 325, 328, 329, 330,
D23/332, 333, 335, 341, 342, 351, 353, 354,
D23/355, 356, 357, 359, 364, 365, 366, 370,
D23/375, 379, 385, 386, 388, 393, 499
CPC F24F 1/00; F24F 1/02; F24F 1/08;
F24F 1/42; F24F 1/46; F24F 1/60; F24F
1/0003; F24F 1/007; F24F 1/0011; F24F
3/044; F24F 3/048; F24F 3/16; F24F 7/00;
F24F 7/04; F24F 12/001; F24F 12/06;
F24F 13/20

DESCRIPTION

FIG. 1 is a perspective view of a panel for air conditioner showing my new design;
FIG. 2 is a front view thereof;
FIG. 3 is a rear view thereof;
FIG. 4 is a top view thereof, shown in a reduced scale;
FIG. 5 is a bottom view thereof, shown in a reduced scale;
FIG. 6 is a left side view thereof, shown in a reduced scale;
FIG. 7 is a right side view thereof, shown in a reduced scale; and,
FIG. 8 is a cross-sectional view thereof, shown in an enlarged scale, taken along the line 8-8 in FIG. 2; and,
FIG. 9 is a perspective view thereof with the louver shown in an opened condition.

See application file for complete search history.

(56) **References Cited**
U.S. PATENT DOCUMENTS

D250,021 S * 10/1978 Barbera D14/219
D339,755 S * 9/1993 Bonnell D10/102

1 Claim, 6 Drawing Sheets

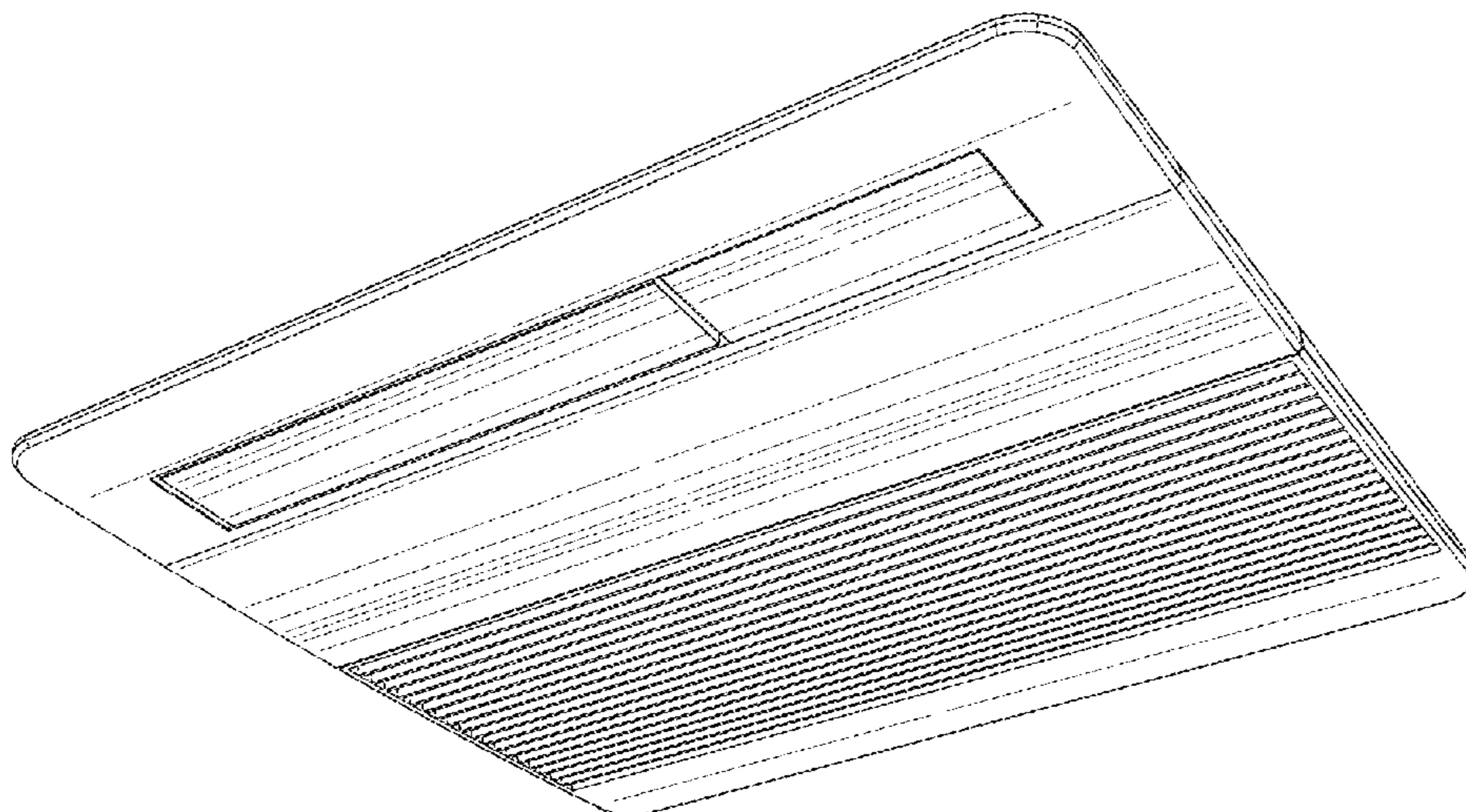


Fig. 1

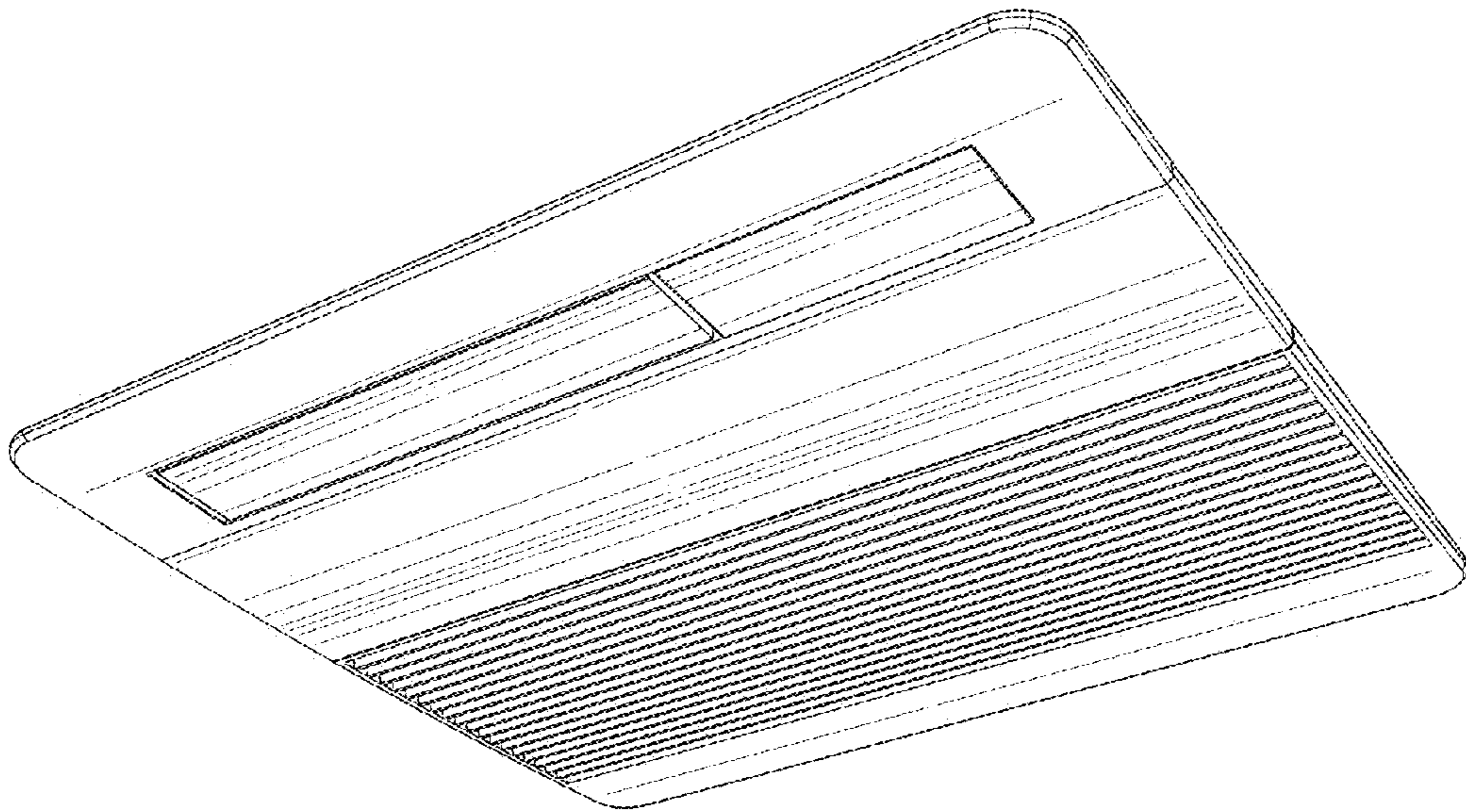


Fig. 2

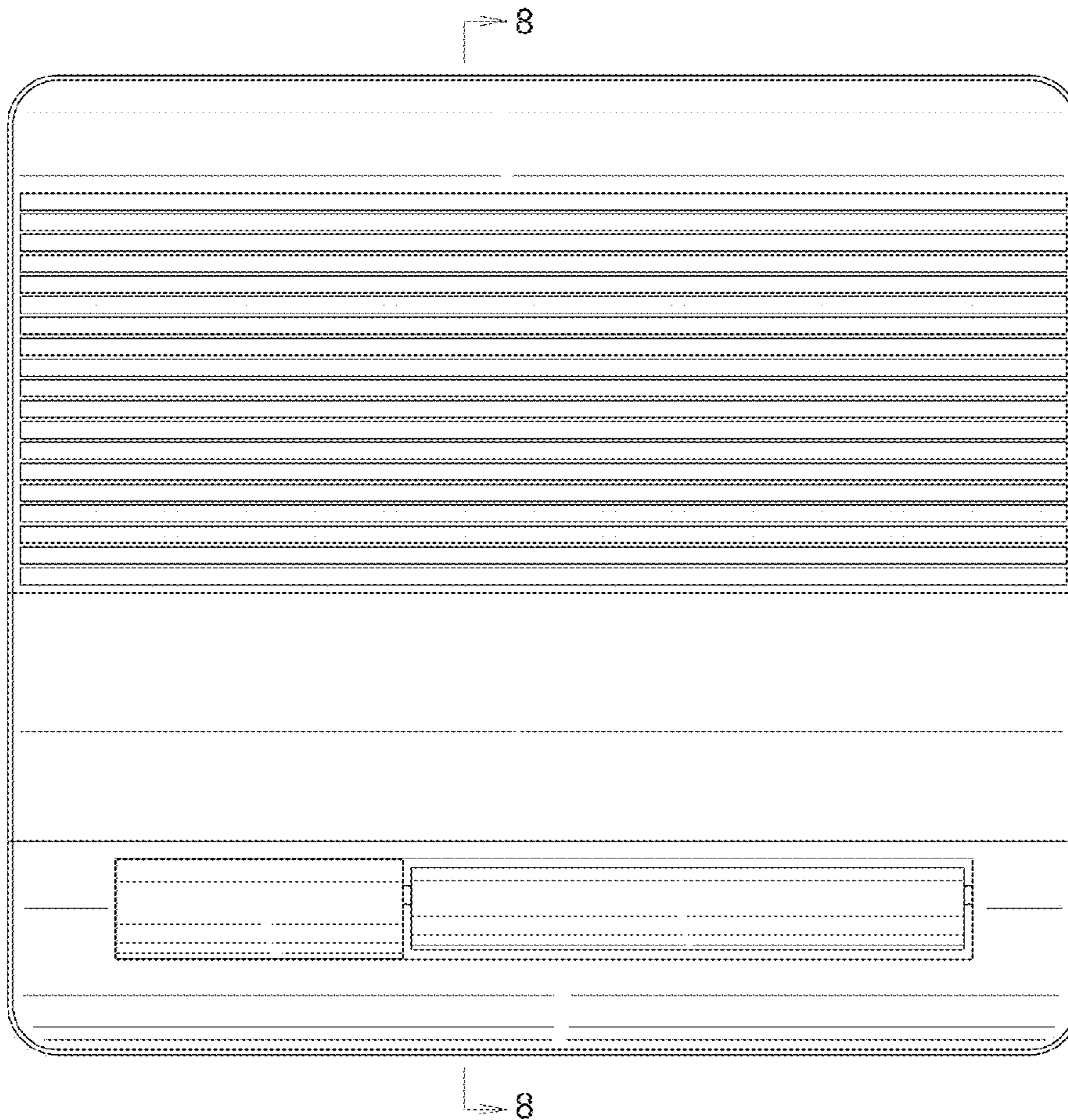


Fig. 3

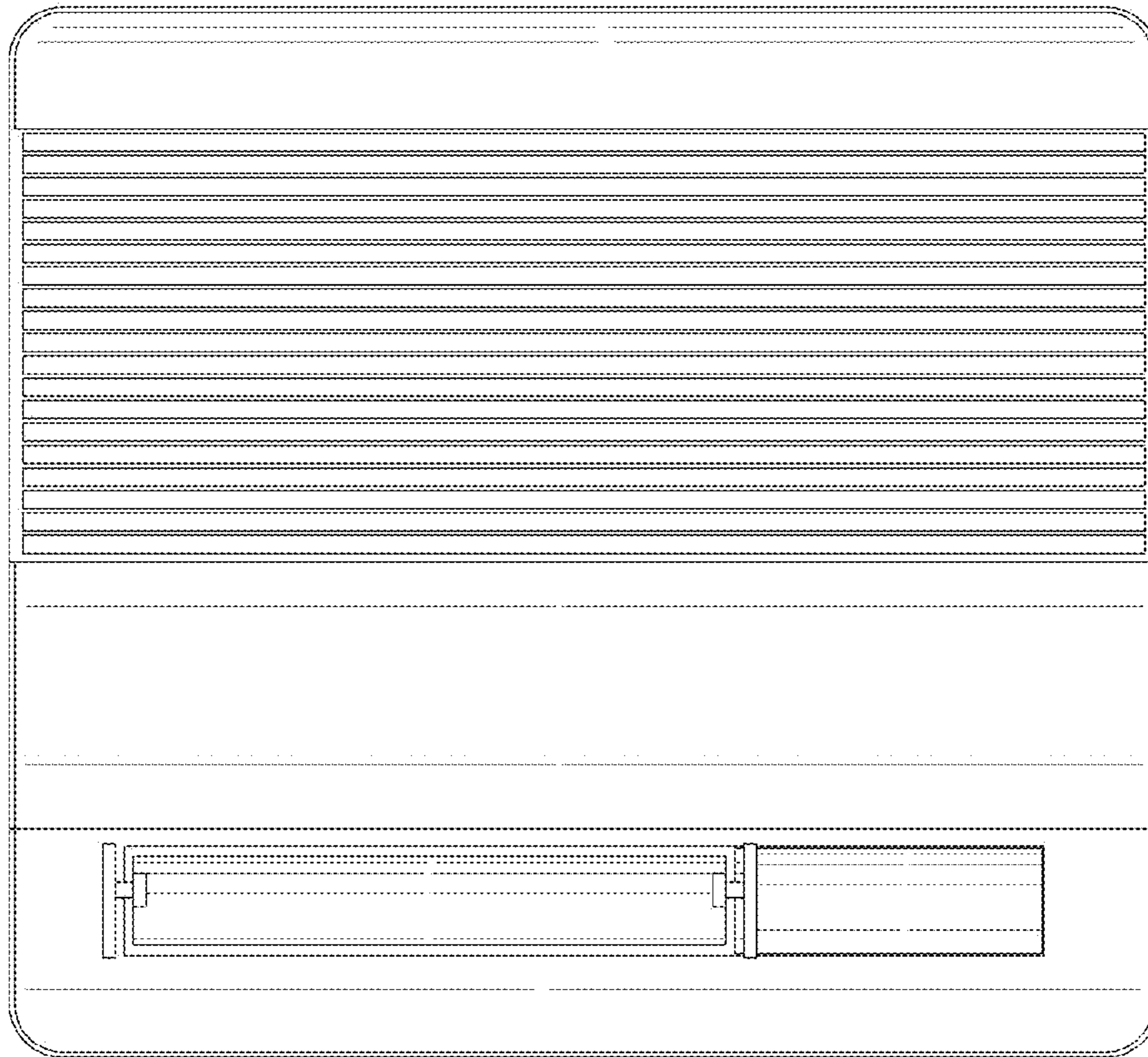


Fig. 4



Fig. 5

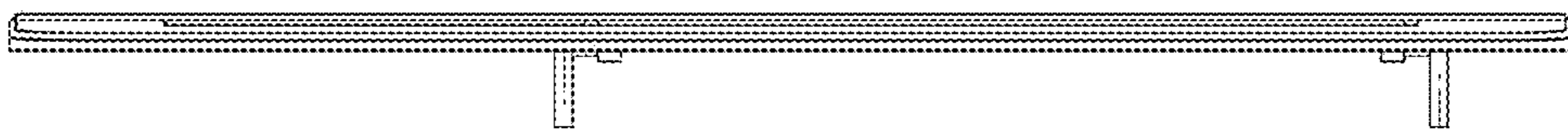


Fig. 6



Fig. 7

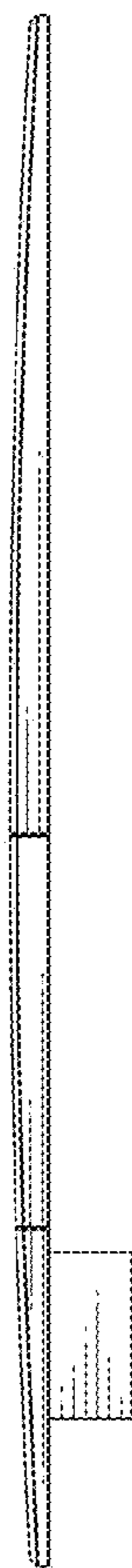


Fig. 8

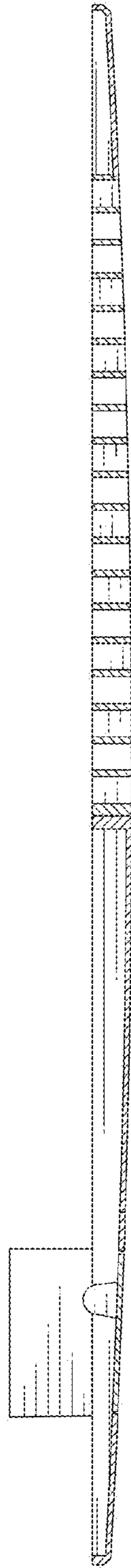


Fig. 9

