



US00D766412S

(12) **United States Design Patent** (10) **Patent No.:** **US D766,412 S**
Lee et al. (45) **Date of Patent:** **** Sep. 13, 2016**

(54) **AIR CONDITIONER**

(71) Applicant: **Samsung Electronics Co., Ltd.**,
Suwon-si (KR)

(72) Inventors: **Dae Kyun Lee**, Suwon-si (KR); **Jin Sook Park**, Uiwang-si (KR); **Hee Jae Jeong**, Seoul (KR)

(73) Assignee: **SAMSUNG ELECTRONICS CO., LTD.** (KR)

(**) Term: **14 Years**

(21) Appl. No.: **29/506,611**

(22) Filed: **Oct. 17, 2014**

(30) **Foreign Application Priority Data**

Apr. 21, 2014 (KR) 30-2014-0020120

(51) **LOC (10) Cl.** **23-04**

(52) **U.S. Cl.**
USPC **D23/351**

(58) **Field of Classification Search**
USPC D23/314, 317, 324, 328, 329, 330, 332,
D23/333, 335, 341, 342, 351, 353, 354, 355,
D23/356, 359, 364, 365, 370, 385, 386, 388,
D23/393
CPC F24F 1/00; F24F 1/0007; F24F 1/02;
F24F 1/08; F24F 1/42; F24F 1/56; F24F
1/60; F24F 3/044; F24F 3/048; F24F 3/16;
F24F 7/00; F24F 7/04; F24F 12/001; F24F
12/006

See application file for complete search history.

(56) **References Cited**

U.S. PATENT DOCUMENTS

D556,880 S *	12/2007	Choi	D23/351
D569,962 S *	5/2008	Nishio	D23/393
D605,266 S *	12/2009	Nakamura	D23/351
D605,267 S *	12/2009	Nakamura	D23/351
D613,842 S *	4/2010	Yamashita	D23/351
D621,018 S *	8/2010	Nagahori	D23/351
D621,920 S *	8/2010	Yamana	D23/351
D700,307 S *	2/2014	Seki	D23/351

* cited by examiner

Primary Examiner — George D Kirschbaum

Assistant Examiner — Natasha Vujcic

(74) *Attorney, Agent, or Firm* — Cantor Colburn LLP

(57) **CLAIM**

The ornamental design for an air conditioner, as shown and described.

DESCRIPTION

FIG. 1 is a perspective view of an air conditioner, showing our new design;
FIG. 2 is a front view thereof;
FIG. 3 is a rear view thereof;
FIG. 4 is a side view thereof;
FIG. 5 is another side view thereof;
FIG. 6 is a top plan view thereof; and,
FIG. 7 is a bottom plan view thereof.
The broken lines in the drawings illustrate portions of the air conditioner which form no part of the claimed design.

1 Claim, 7 Drawing Sheets

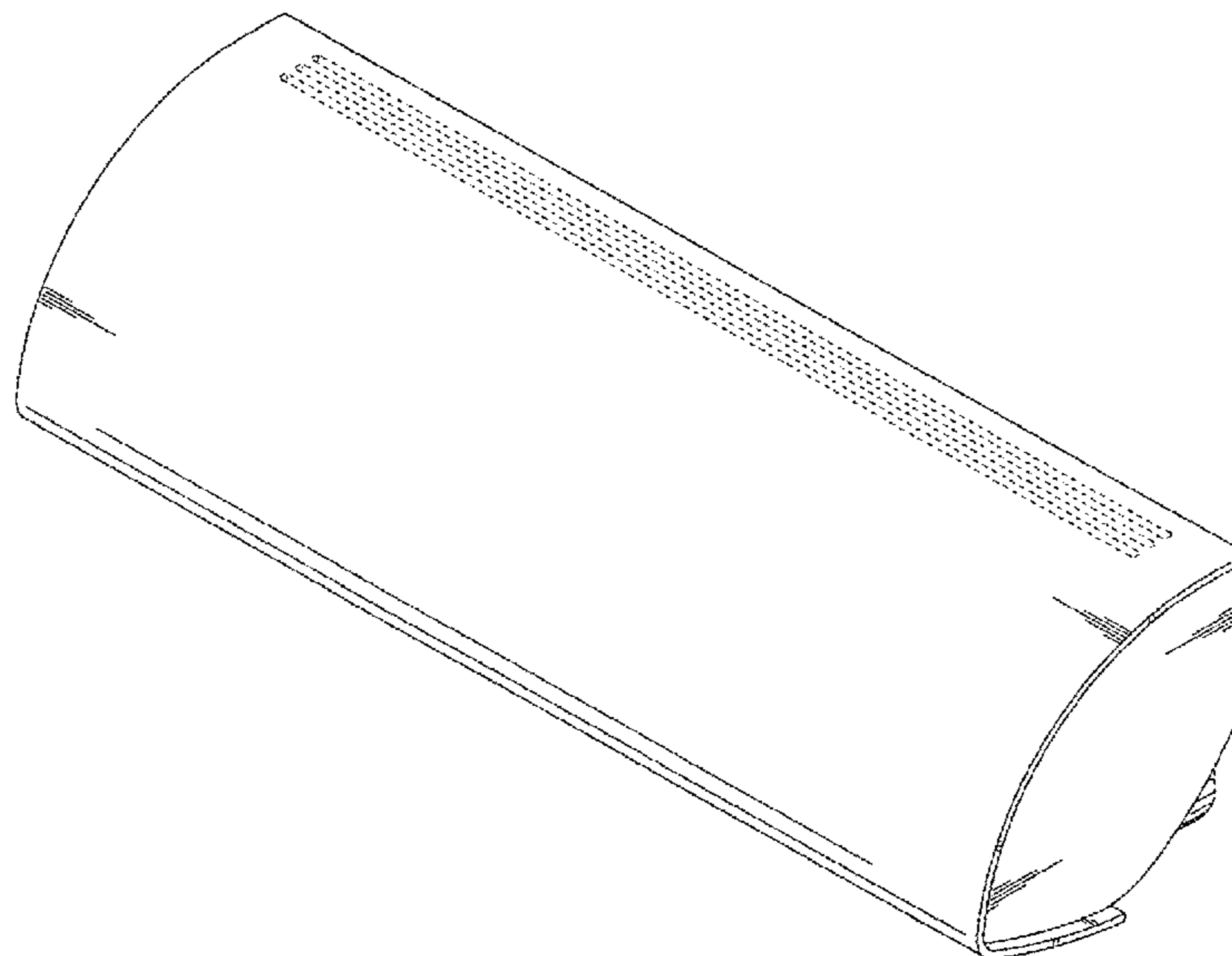


Fig. 1

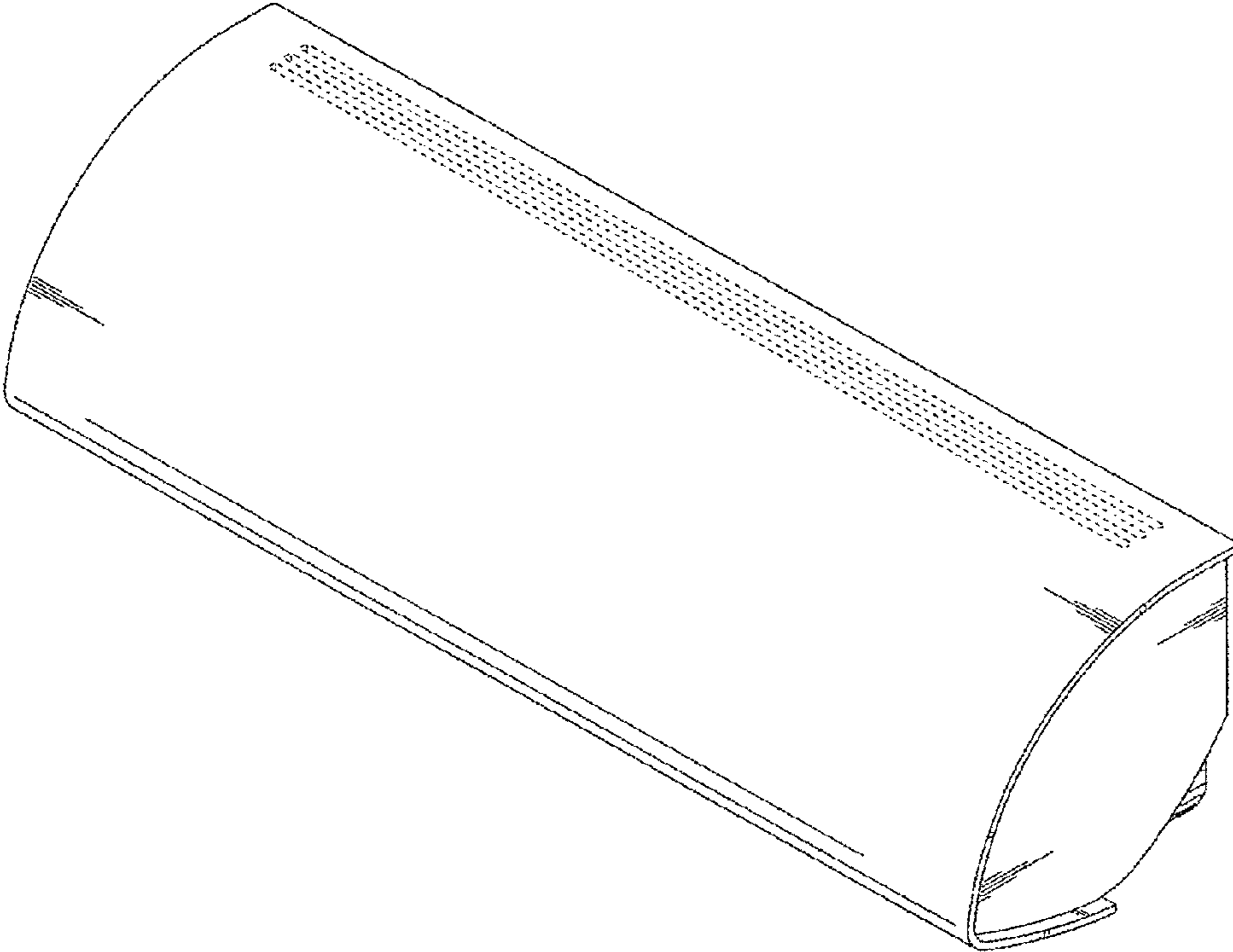


Fig. 2

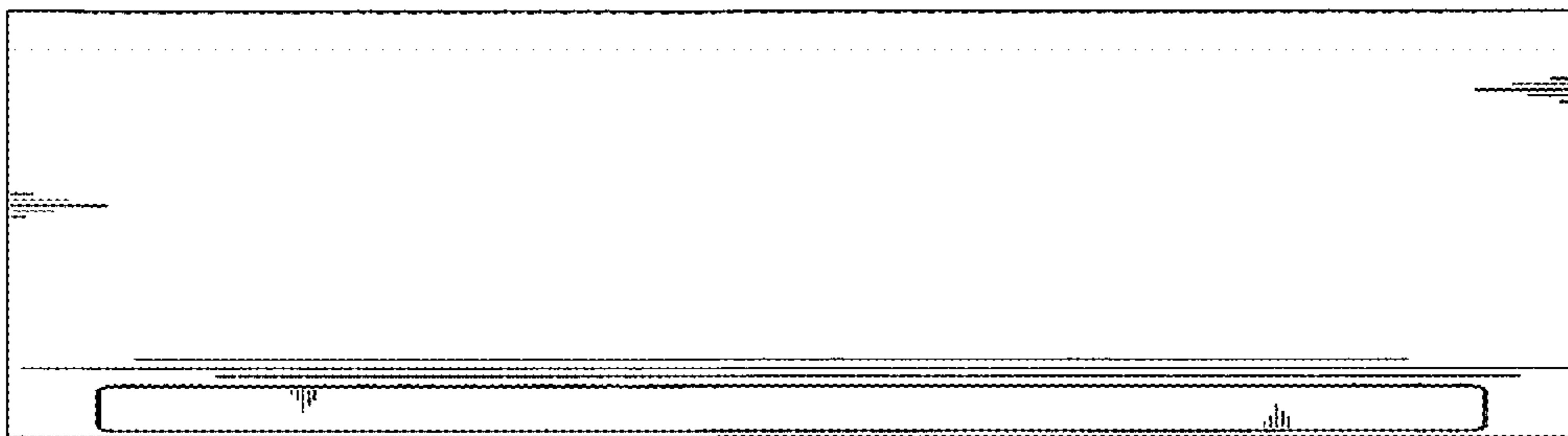


Fig. 3

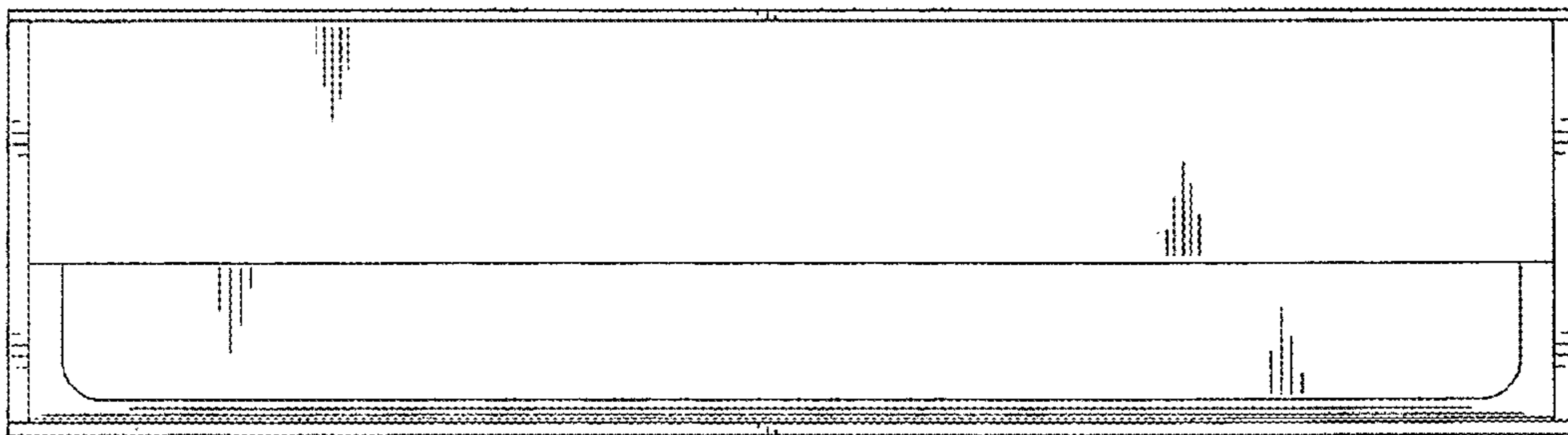


Fig. 4

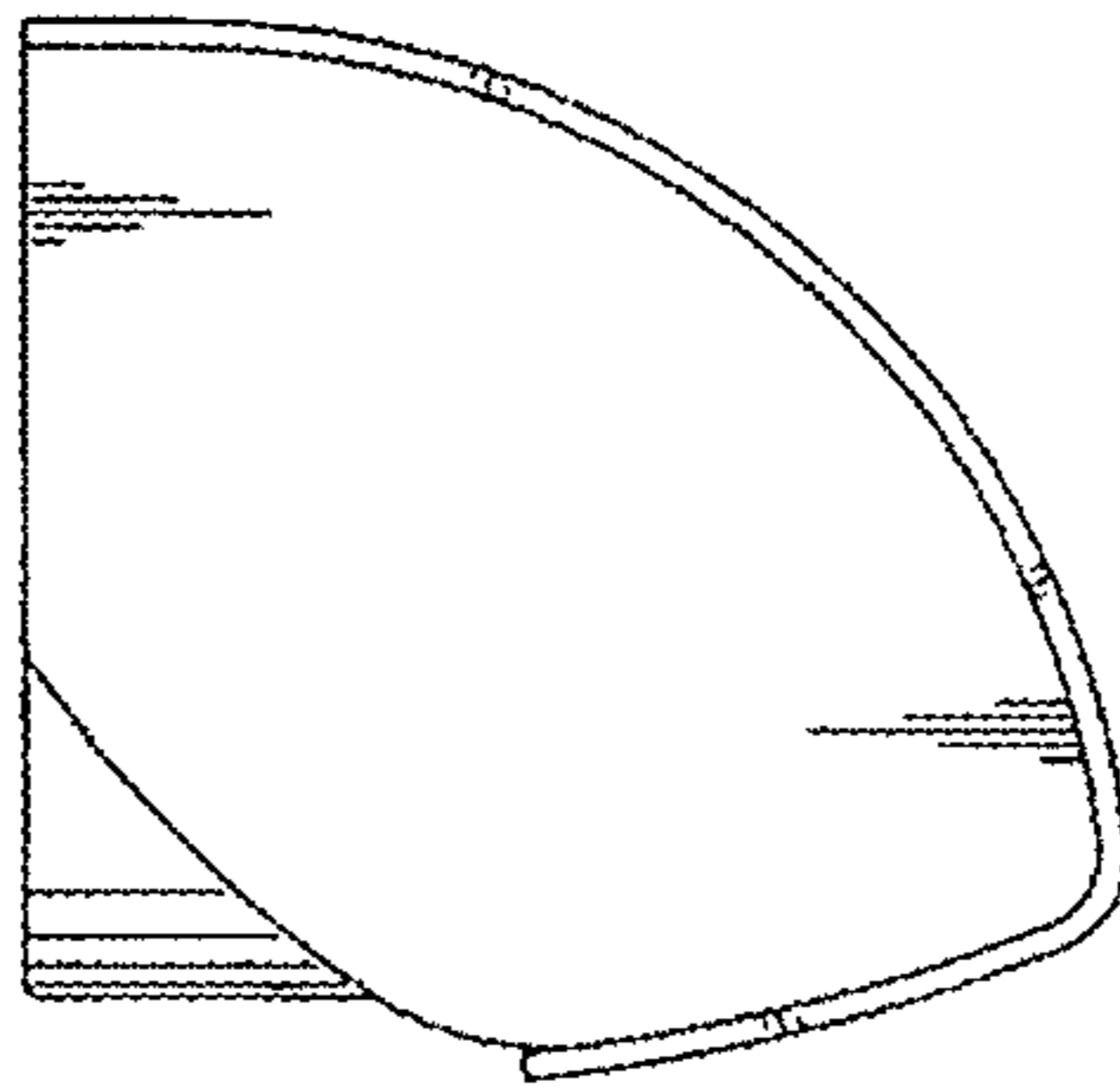


Fig. 5

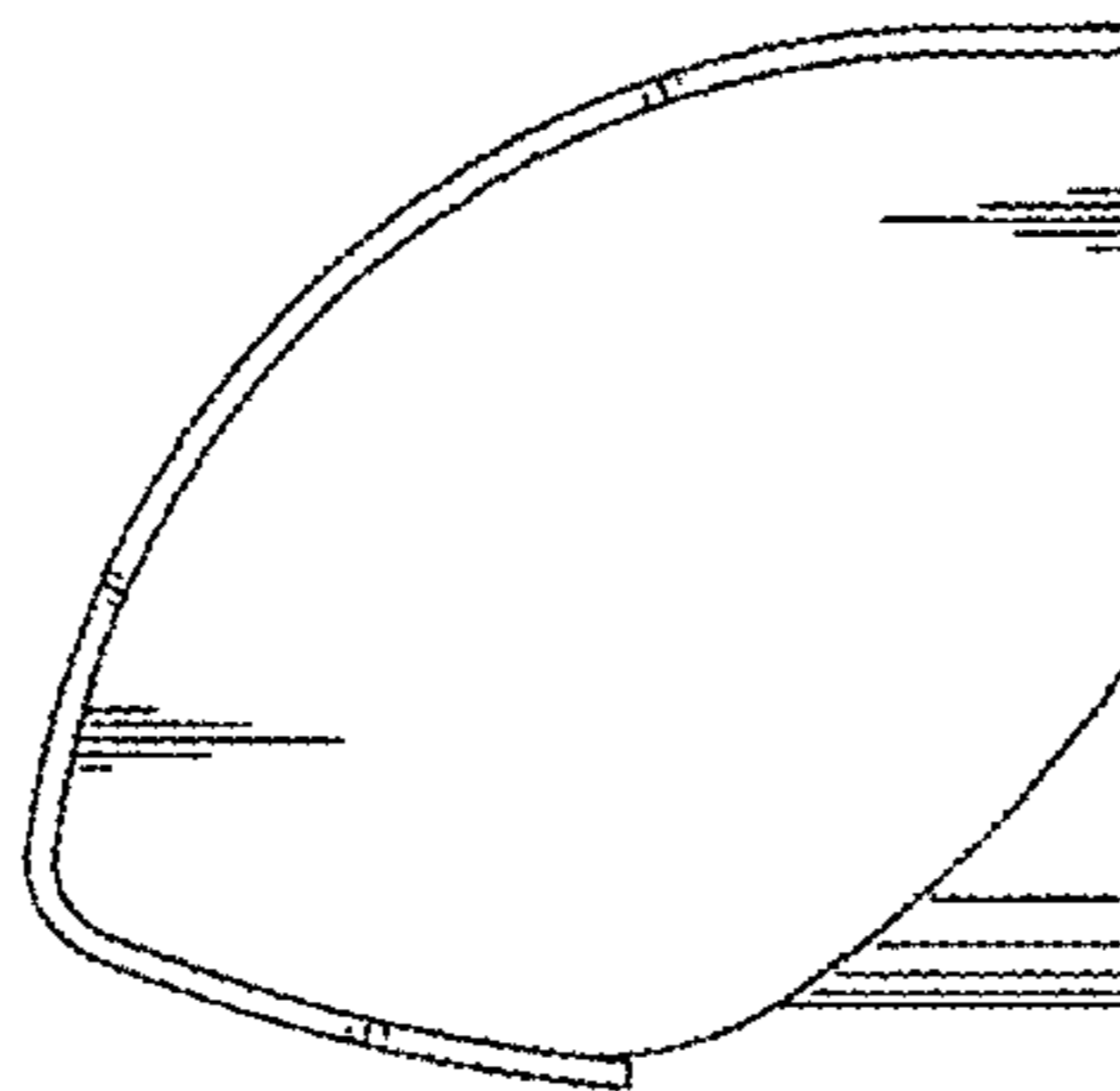


Fig. 6

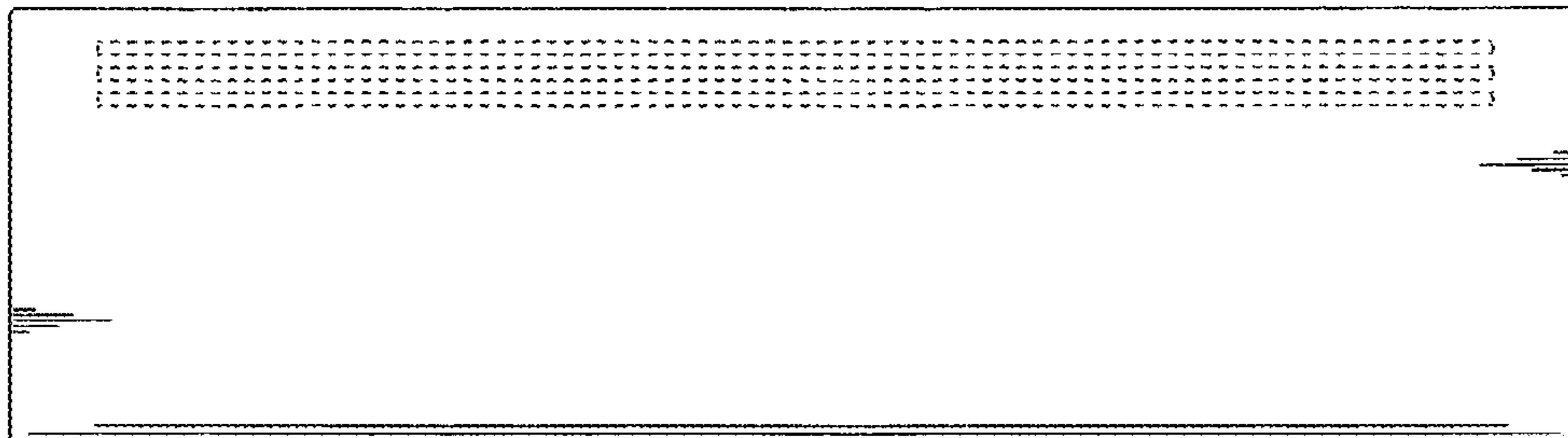


Fig. 7

