

US00D766410S

(12) **United States Design Patent**
Miller

(10) **Patent No.:** **US D766,410 S**

(45) **Date of Patent:** **** Sep. 13, 2016**

(54) **WOOD BURNING COOKING STOVE**

(71) Applicant: **Nathan L. Miller**, Reidsville, NC (US)

(72) Inventor: **Nathan L. Miller**, Reidsville, NC (US)

(**) Term: **14 Years**

(21) Appl. No.: **29/515,234**

(22) Filed: **Jan. 21, 2015**

(51) **LOC (10) Cl.** **23-03**

(52) **U.S. Cl.**
USPC **D23/343; D7/332**

(58) **Field of Classification Search**
USPC D23/317, 314, 332, 333, 334, 335, 337,
D23/342, 351, 355, 378, 370, 381, 364, 336,
D23/341, 343, 348, 401; 126/30; D7/332,
D7/333, 334, 335, 336, 337, 402, 403, 404,
D7/405, 352, 323, 347, 339

CPC F24C 1/16; F24C 5/00; A47J 33/00;
A47J 37/07; A47J 37/0763; F24B 1/18;
F24B 1/182; F24B 1/1808; F24B 1/181;
F24B 1/191; F24B 1/195

See application file for complete search history.

(56) **References Cited**

U.S. PATENT DOCUMENTS

2,511,515 A * 6/1950 Schmitt F24B 1/205
126/25 R
5,947,105 A * 9/1999 Scott F24B 1/202
126/25 R

D636,216 S * 4/2011 Marsh D7/332
D694,567 S * 12/2013 McLemore D7/332
D738,476 S * 9/2015 Lee D23/343
D746,094 S * 12/2015 Tan D7/332
2009/0314285 A1* 12/2009 Marsh A47J 37/0763
126/9 R
2013/0029024 A1* 1/2013 Warren A47J 37/0704
426/523

* cited by examiner

Primary Examiner — T. Chase Nelson

Assistant Examiner — Ania Aman

(74) *Attorney, Agent, or Firm* — Blake P. Hurt; Tuggle
Duggins P.A.

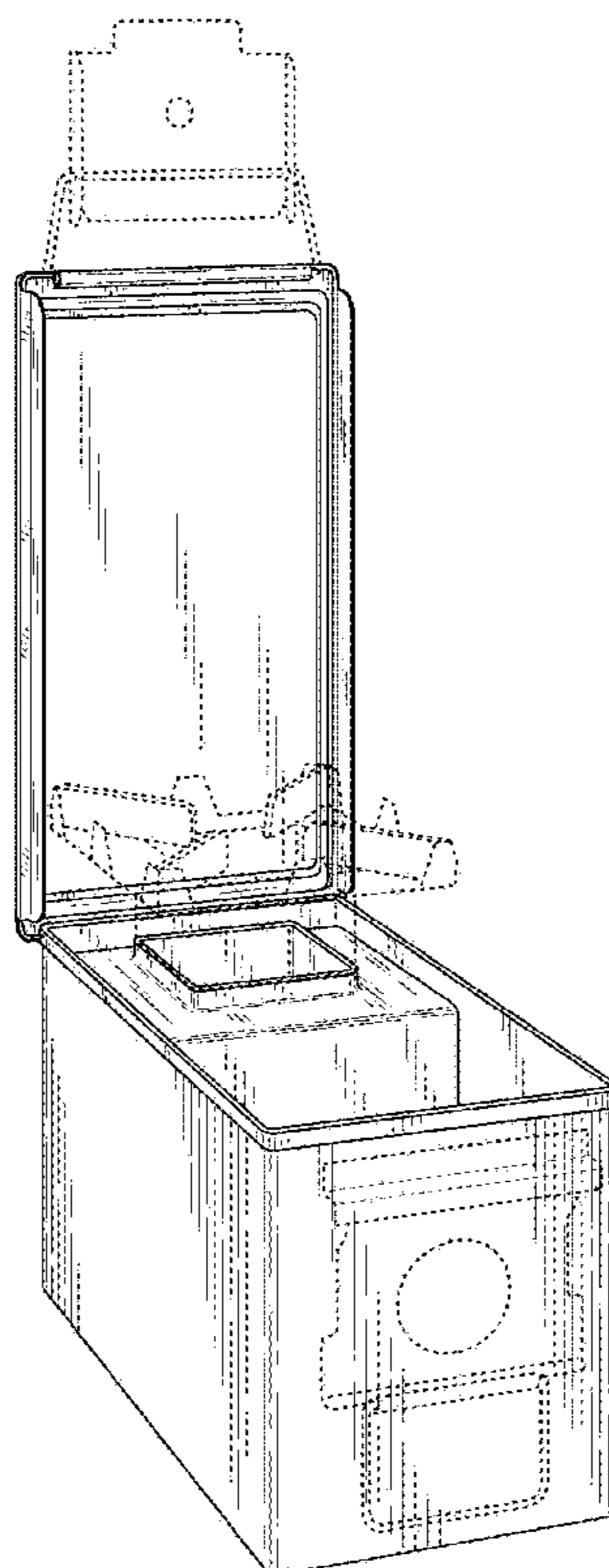
(57) **CLAIM**

The ornamental design for a wood burning cooking stove, as
shown and described.

DESCRIPTION

FIG. 1 is a top, front, left side perspective view of a wood
burning cooking stove showing my new design;
FIG. 2 is a front elevational view thereof;
FIG. 3 is a rear elevational view thereof;
FIG. 4 is a right side elevational view thereof, the left side
elevational view being a mirror image thereof;
FIG. 5 is a top plan view thereof; and,
FIG. 6 is a bottom plan view thereof.
The broken lines in FIGS. 1 and 5 are for environmental
purposes only and form no part of the claimed design.

1 Claim, 6 Drawing Sheets



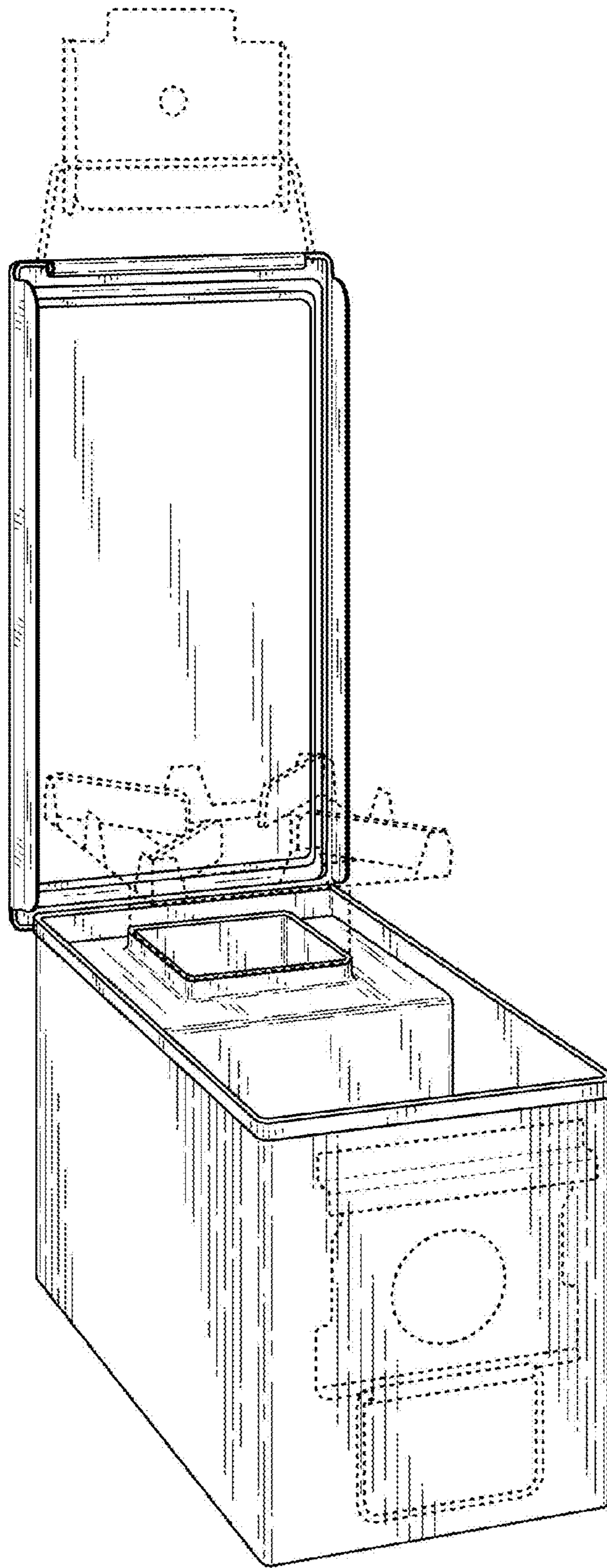


Fig. 1

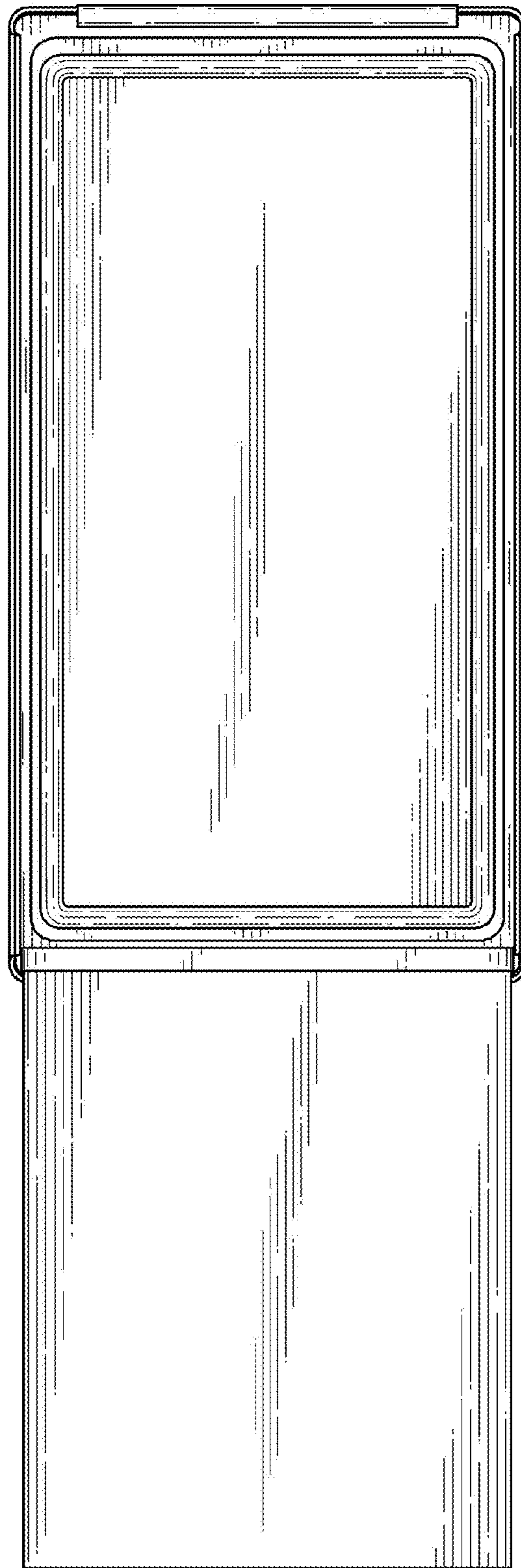


Fig. 2

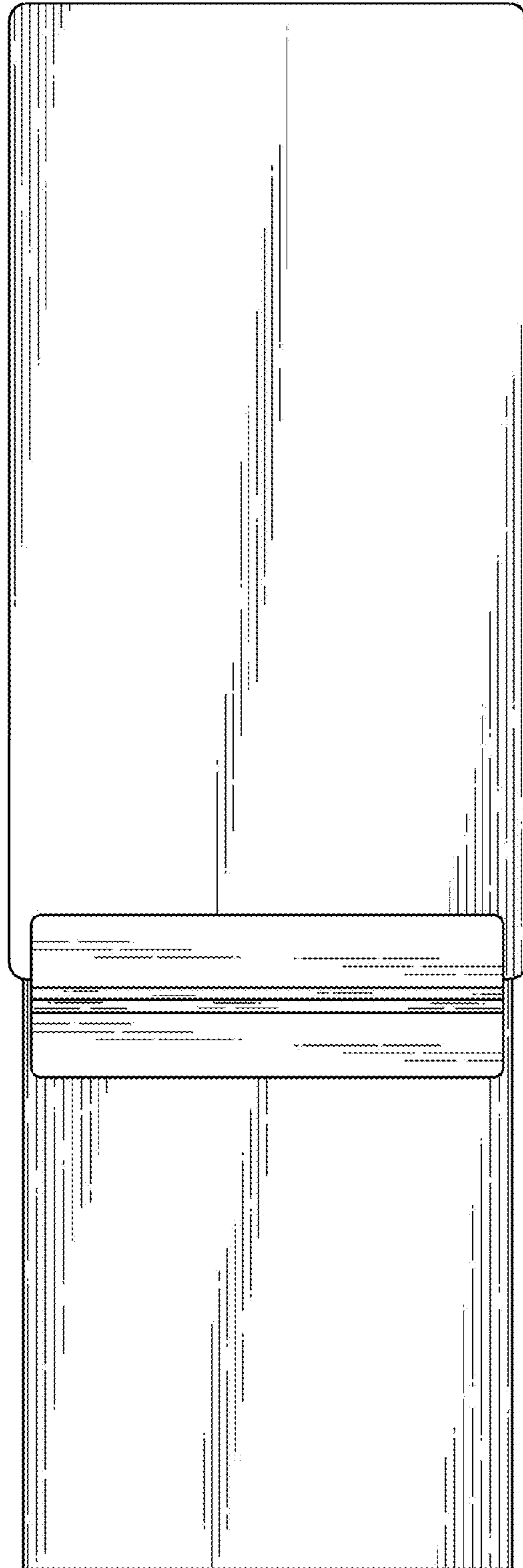


Fig. 3

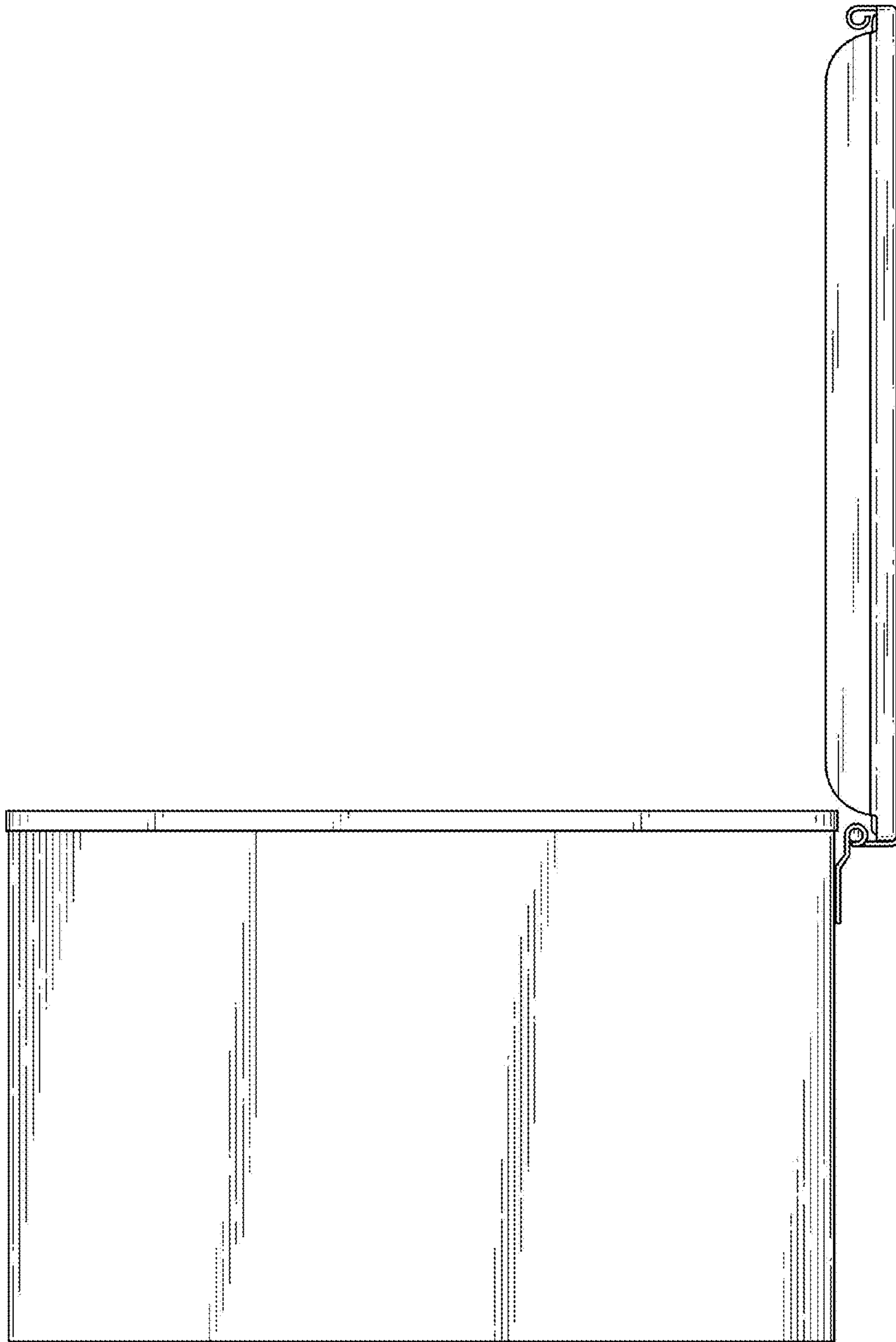


Fig. 4

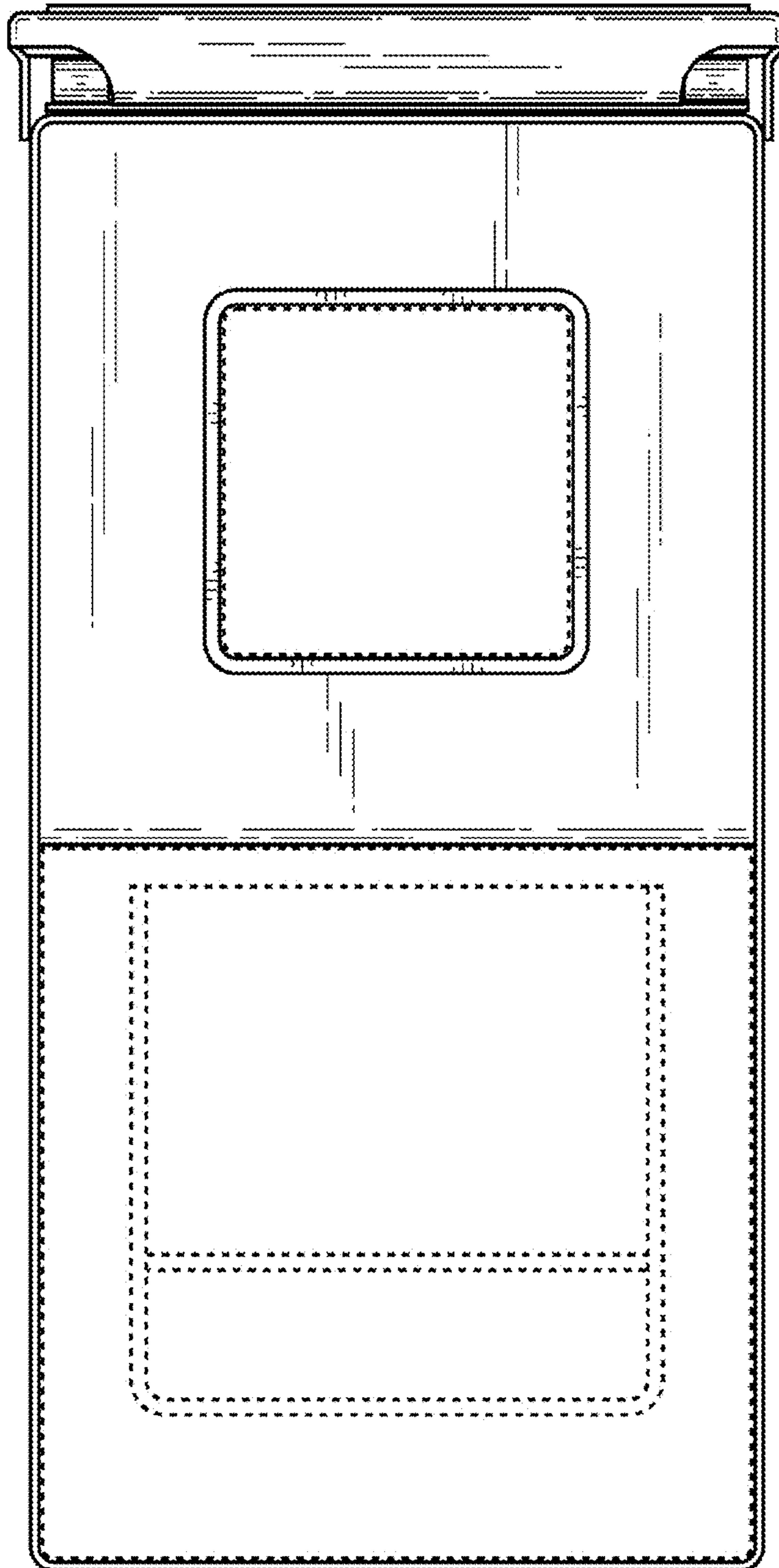


Fig. 5

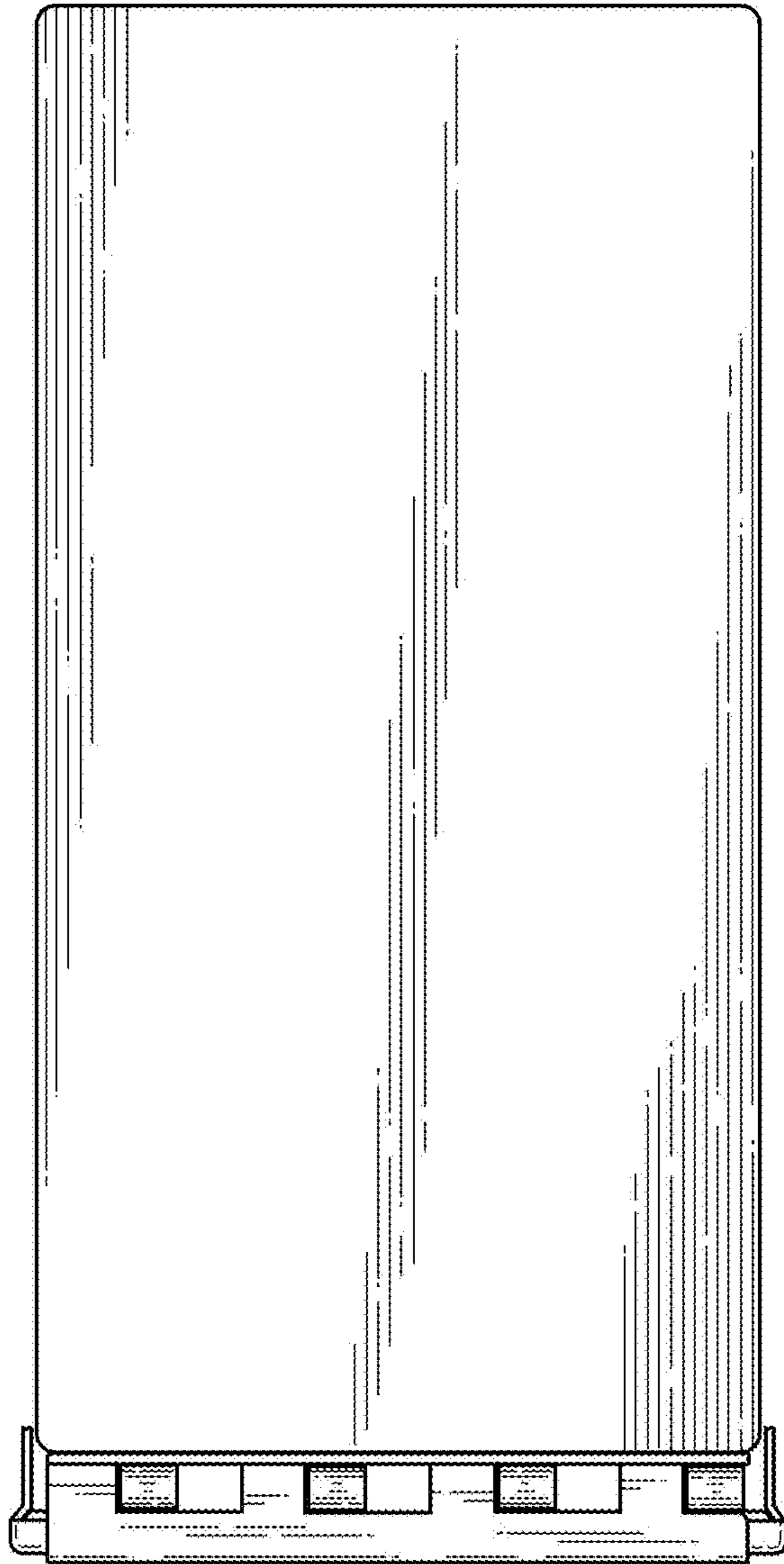


Fig. 6