



US00D766408S

(12) **United States Design Patent**  
**Licini**

(10) **Patent No.:** **US D766,408 S**

(45) **Date of Patent:** **\*\* \*Sep. 13, 2016**

(54) **SHOWER RECEPTOR**

(71) Applicant: **Kohler Co.**, Kohler, WI (US)

(72) Inventor: **Frederic Licini**, L'Etang la Ville (FR)

(73) Assignee: **KOHLER CO.**, Kohler, WI (US)

(\*) Notice: This patent is subject to a terminal disclaimer.

(\*\*) Term: **15 Years**

(21) Appl. No.: **29/527,948**

(22) Filed: **May 22, 2015**

(51) **LOC (10) Cl.** ..... **23-02**

(52) **U.S. Cl.**  
USPC ..... **D23/304**

(58) **Field of Classification Search**  
USPC ..... D23/283, 303-304  
CPC ..... A47K 3/40; A47K 3/325; A47K 3/30;  
A47K 3/32; A47K 3/285; A47K 3/286  
See application file for complete search history.

(56) **References Cited**

**U.S. PATENT DOCUMENTS**

D255,829 S *	7/1980	Swenson	.....	D23/283
D532,877 S *	11/2006	Hisey	.....	D23/304
D596,721 S *	7/2009	Hisey	.....	D23/304
D611,129 S *	3/2010	Hisey	.....	D23/304
7,739,757 B2 *	6/2010	Witt	.....	A47K 3/40 4/612

8,474,069 B1 \* 7/2013 Whiting ..... A47K 3/405

4/613

D692,992 S \* 11/2013 Whiting ..... D23/304

\* cited by examiner

*Primary Examiner* — Robert Delehanty

(74) *Attorney, Agent, or Firm* — Foley & Lardner LLP

(57) **CLAIM**

I claim the ornamental design for a shower receptor, as shown and described.

**DESCRIPTION**

FIG. 1 is a top, front, right perspective view of an embodiment of the claimed design;

FIG. 2 is a top, rear, left perspective view of the claimed design;

FIG. 3 is top plan view thereof;

FIG. 4 is a rear elevation view thereof;

FIG. 5 is a front elevation view thereof;

FIG. 6 is a left elevation view thereof;

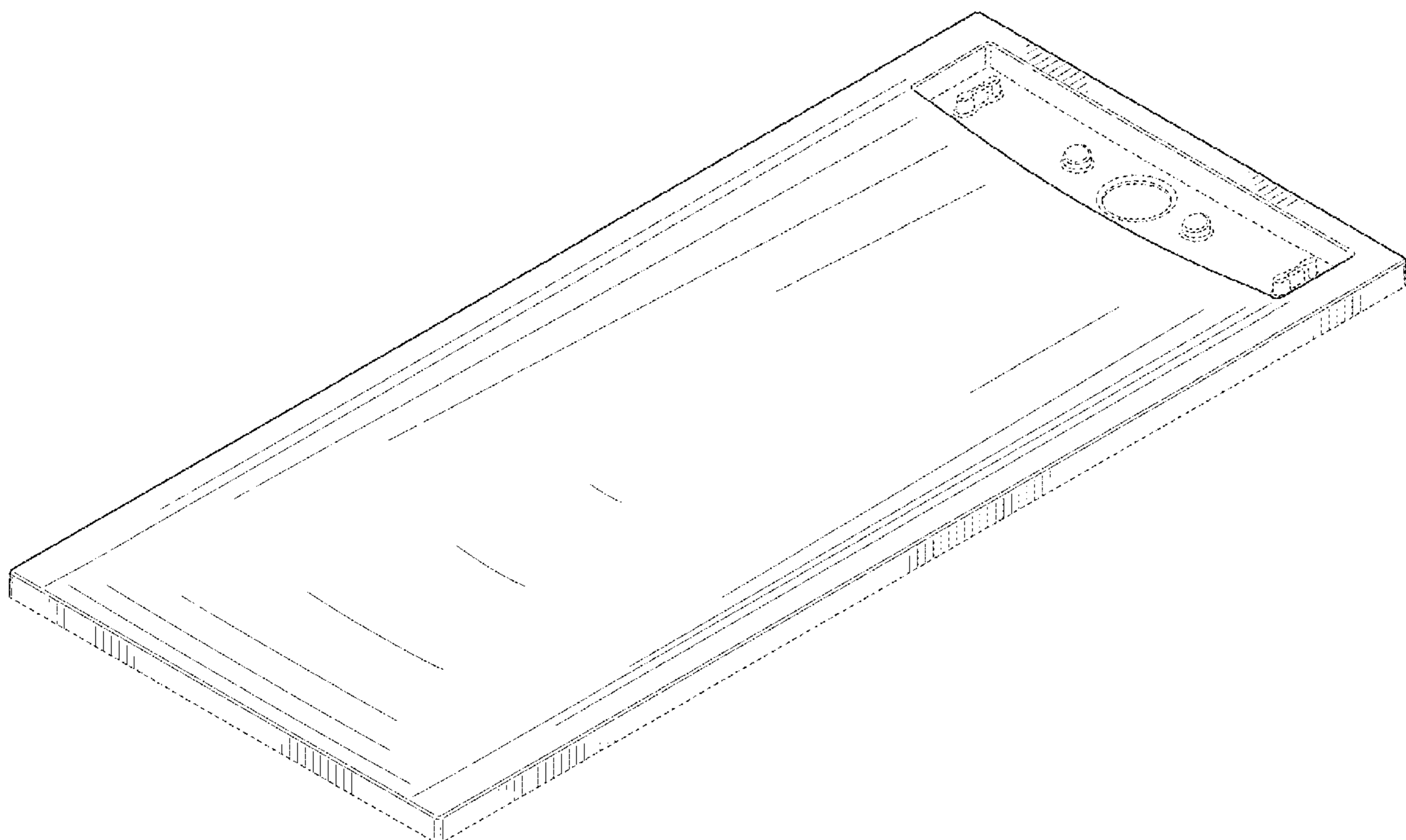
FIG. 7 is a right elevation view thereof;

FIG. 8 is a cross-sectional view taken along line 8-8 in FIG. 3; and,

FIG. 9 is a cross-sectional view taken along line 9-9 in FIG. 3.

The ornamental design which is claimed is shown in solid lines in the drawings. The broken lines in the drawings form no part of the claimed design. Broken lines formed by equal length dashes show unclaimed subject matter. Broken lines formed of unequal length dashes (i.e., dash-dot) define bounds of the claimed design.

**1 Claim, 5 Drawing Sheets**



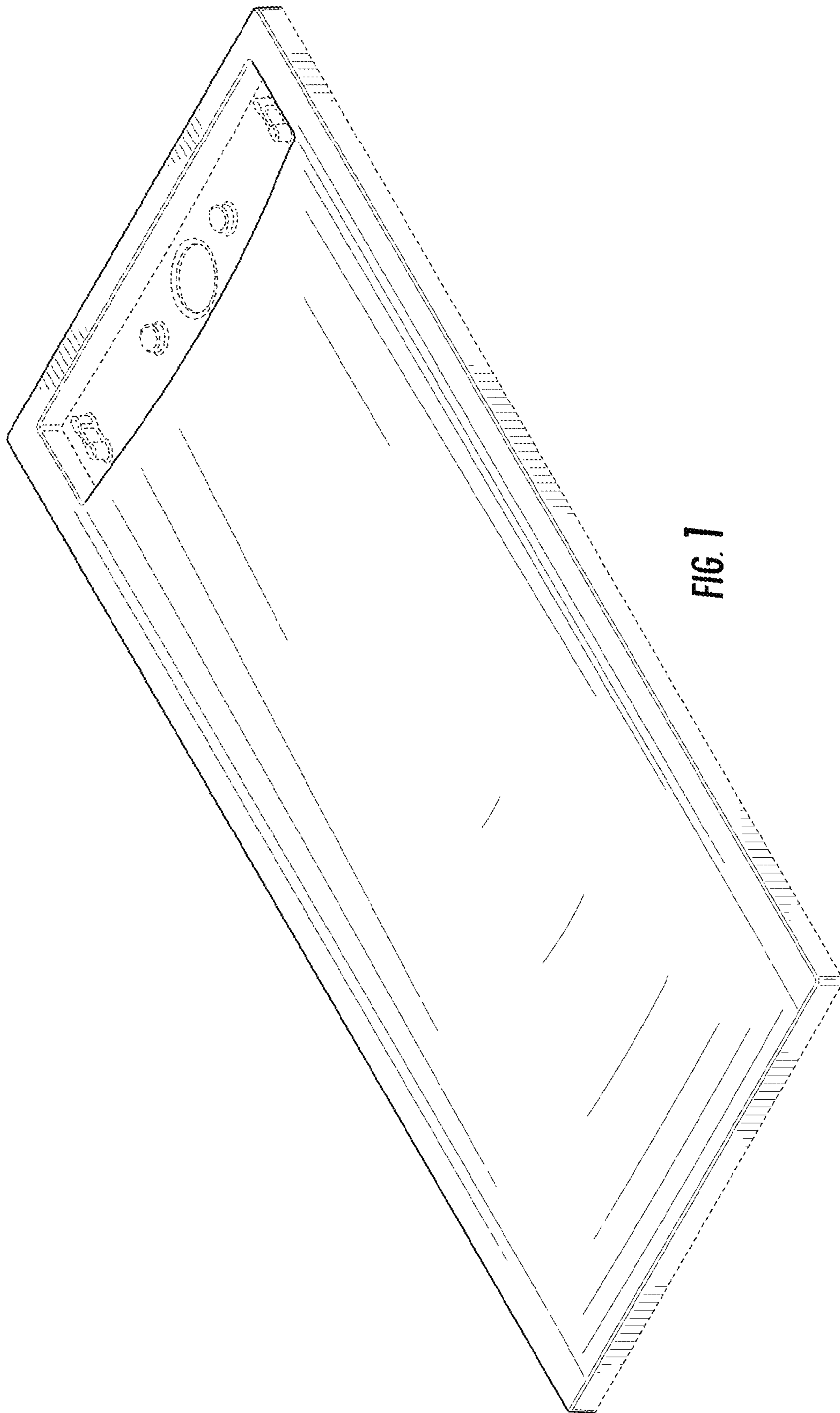


FIG. 1

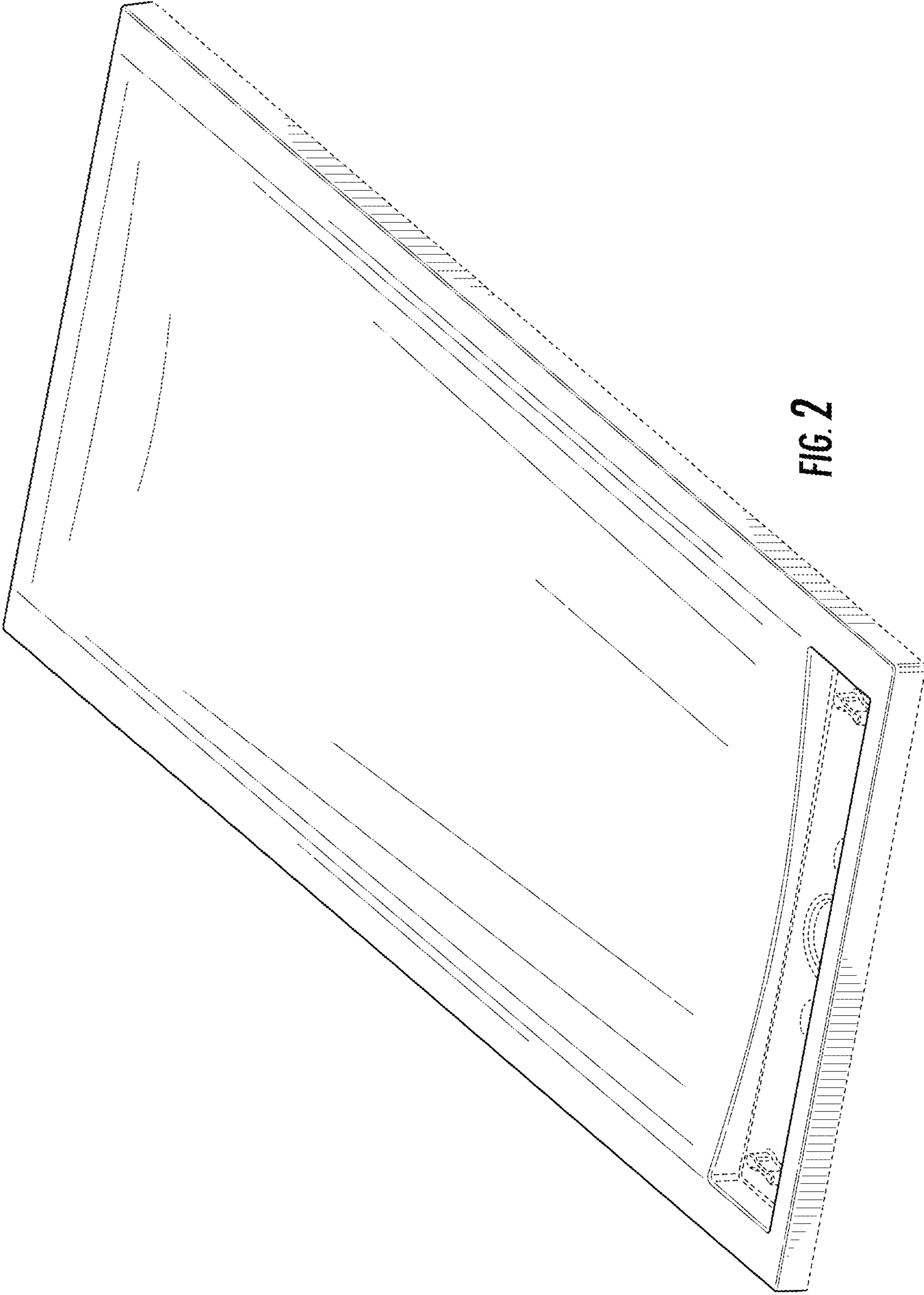


FIG. 2

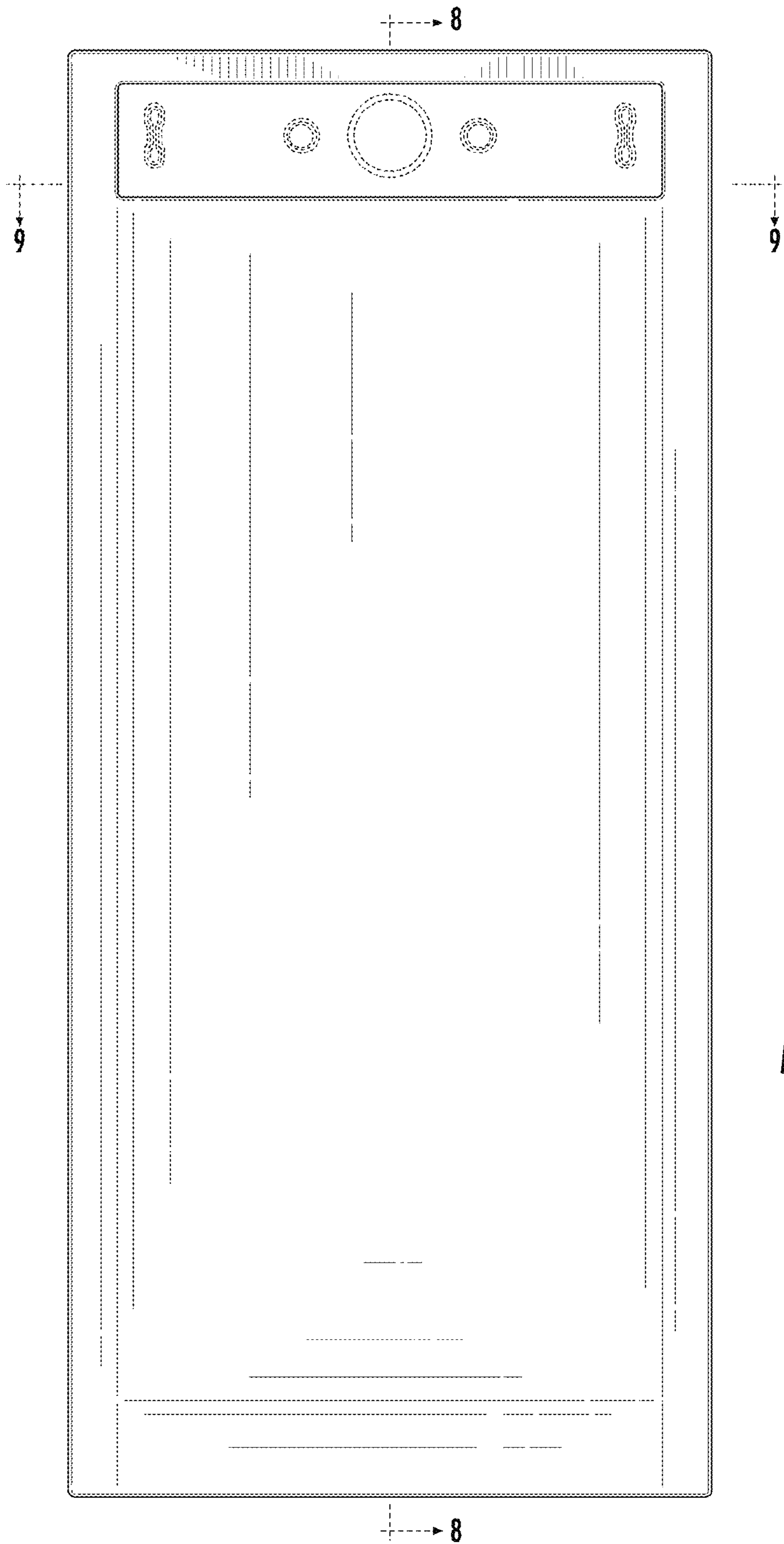


FIG. 3



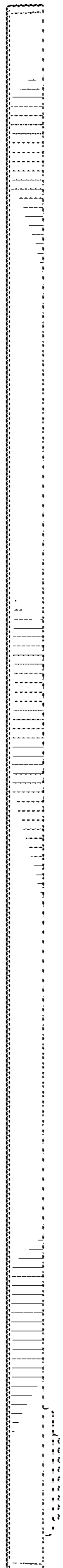


FIG. 4



FIG. 5

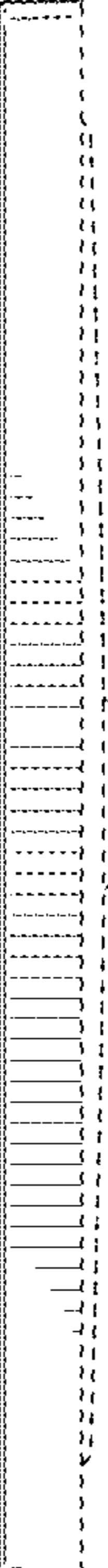


FIG. 6



FIG. 7

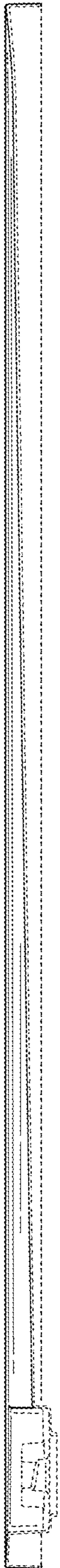


FIG. 8

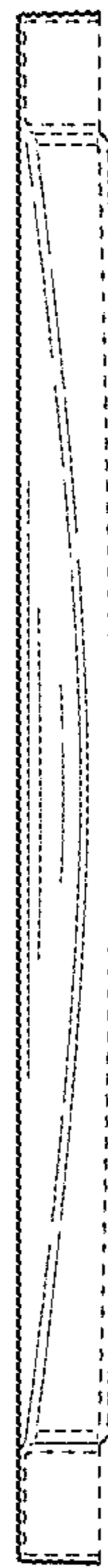


FIG. 9