



US00D766407S

(12) **United States Design Patent**  
**Portilla**

(10) **Patent No.:** **US D766,407 S**

(45) **Date of Patent:** **\*\* Sep. 13, 2016**

(54) **GRIPPING COVER FOR GRAB BAR**

(71) Applicant: **Maria Portilla**, Coral Springs, FL (US)

(72) Inventor: **Maria Portilla**, Coral Springs, FL (US)

(\*\*) Term: **14 Years**

(21) Appl. No.: **29/523,104**

(22) Filed: **Apr. 7, 2015**

**Related U.S. Application Data**

(62) Division of application No. 29/501,079, filed on Sep. 1, 2014, now Pat. No. Des. 726,891, which is a division of application No. 29/483,390, filed on Feb. 27, 2014, now Pat. No. Des. 712,526, which is a division of application No. 29/465,860, filed on Sep. 2, 2013, now Pat. No. Des. 700,688.

(51) **LOC (10) Cl.** ..... **23-02**

(52) **U.S. Cl.**  
USPC ..... **D23/304**

(58) **Field of Classification Search**  
USPC ..... D23/275, 280.2, 303-305; D21/617;  
D8/303, 305, 315-316; D6/548, 549  
CPC ..... A47K 3/003; A47K 17/022  
See application file for complete search history.

(56) **References Cited**

**U.S. PATENT DOCUMENTS**

2,269,420 A \* 1/1942 Anderson ..... A47K 3/003  
4/577.1  
D293,011 S \* 12/1987 Wolfe ..... D21/618

D316,434 S \* 4/1991 Stephensen ..... D21/618  
6,131,213 A \* 10/2000 Sarff ..... A47K 3/003  
211/105.1  
D536,597 S \* 2/2007 Berlovan ..... D8/315  
D586,199 S \* 2/2009 Gifford ..... D8/315  
D630,768 S \* 1/2011 Witiak ..... D25/41.1  
D637,700 S \* 5/2011 Antonello ..... D23/304  
D688,357 S \* 8/2013 Portilla ..... D23/304  
D689,172 S \* 9/2013 Portilla ..... D23/304

\* cited by examiner

*Primary Examiner* — Robert Delehanty

(74) *Attorney, Agent, or Firm* — Nancy J. Flint, Esq.;  
Nancy J. Flint, Attorney At Law, P.A.

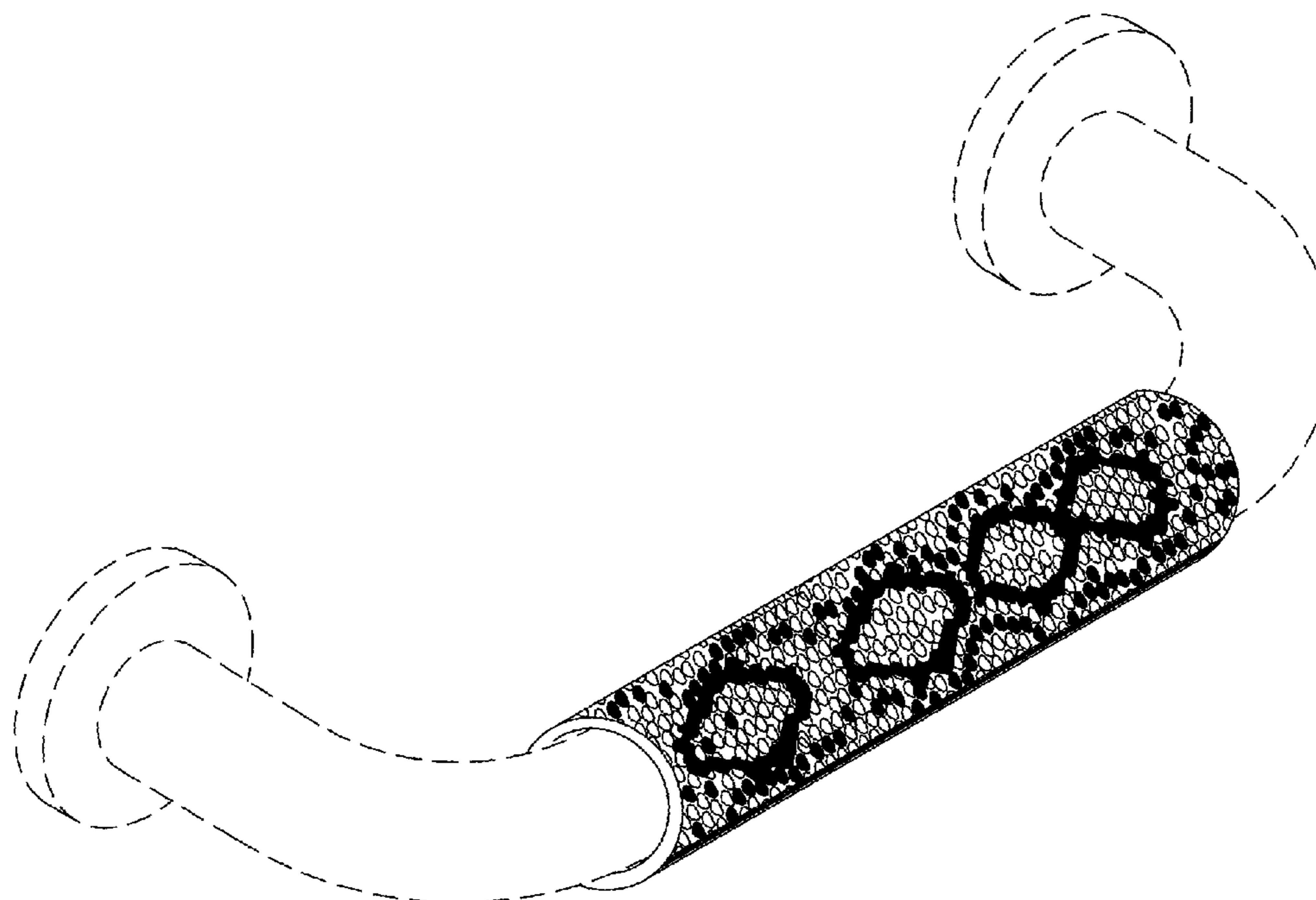
(57) **CLAIM**

The ornamental design for a gripping cover for grab bar, as shown and described.

**DESCRIPTION**

FIG. 1 is a front perspective view of a grab bar having a decorative surface showing my new design;  
FIG. 2 is a top view of a grab bar having a decorative surface;  
FIG. 3 is a front view of a grab bar having a decorative surface;  
FIG. 4 is a right side view of a grab bar having a decorative surface; and,  
FIG. 5 is a bottom view of a grab bar having a decorative surface.  
Left side views not shown are mirror images of right side views. Any broken lines illustrative of environmental structure in the drawings are not part of the design sought to be patented.

**1 Claim, 2 Drawing Sheets**



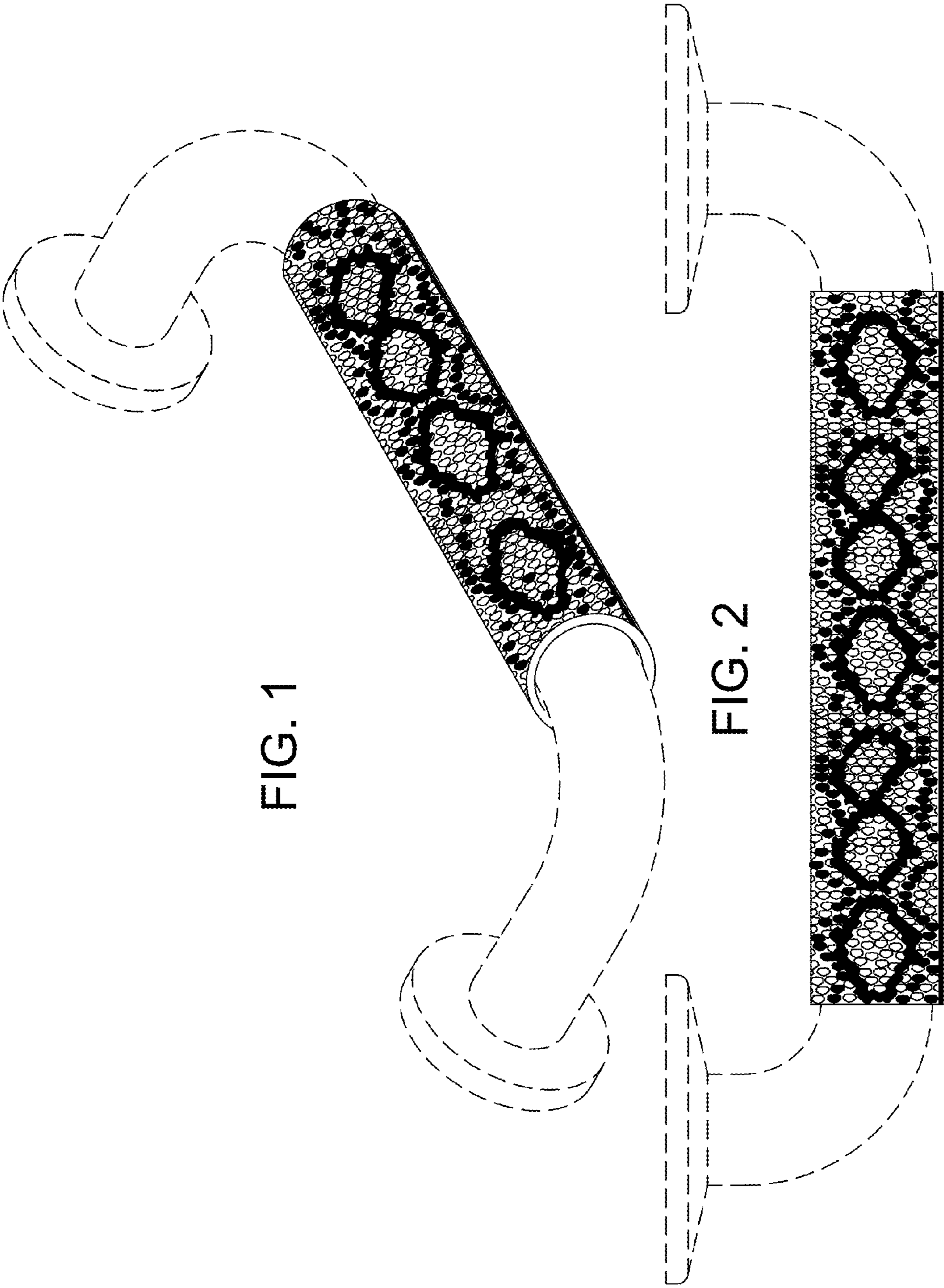


FIG. 1

FIG. 2

FIG. 3

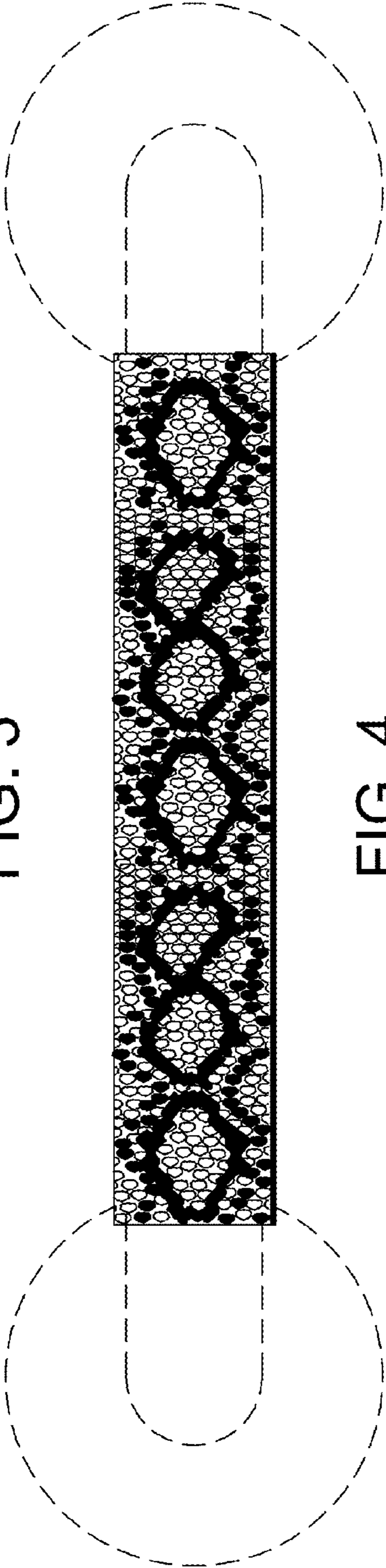


FIG. 4

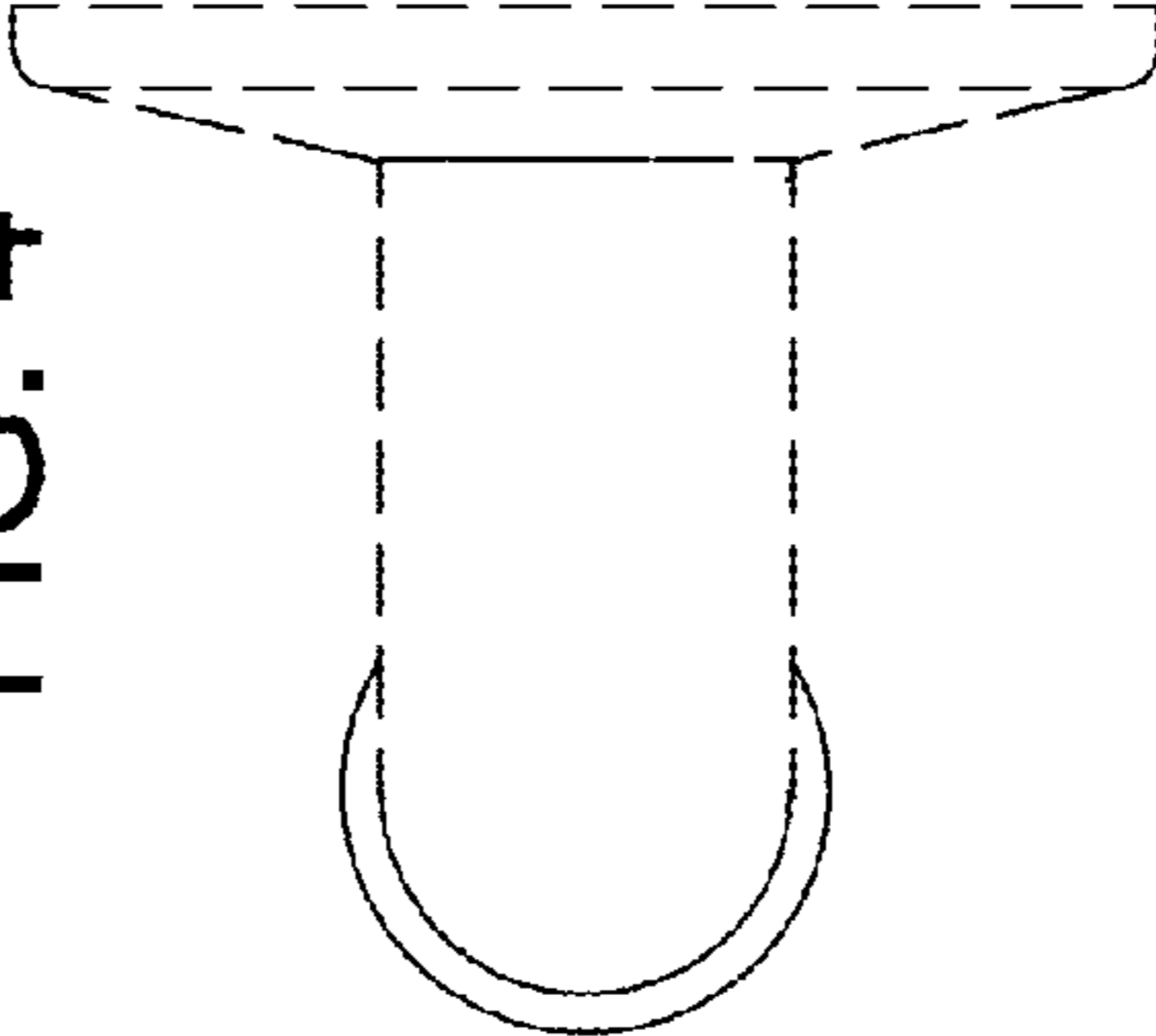


FIG. 5

