

US00D766406S

(12) **United States Design Patent** (10) **Patent No.:** **US D766,406 S**  
**Hooker** (45) **Date of Patent:** **\*\* Sep. 13, 2016**

- (54) **URINAL POTTY TRAINER**
- (71) Applicant: **Deborah Hooker**, Tracy, CA (US)
- (72) Inventor: **Deborah Hooker**, Tracy, CA (US)
- (\*\*) Term: **14 Years**
- (21) Appl. No.: **29/525,406**
- (22) Filed: **Apr. 29, 2015**
- (51) **LOC (10) Cl.** ..... **23-02**
- (52) **U.S. Cl.**  
 USPC ..... **D23/302; D23/296**
- (58) **Field of Classification Search**  
 USPC ..... D23/302, 296-297, 303, 309  
 CPC ..... E03D 13/00; E03D 13/005; E03D 5/016;  
 A47K 11/00; A47K 11/06; A47K 11/04;  
 A47K 11/02  
 See application file for complete search history.

(56) **References Cited**

**U.S. PATENT DOCUMENTS**

2,769,982	A	11/1956	Gossett	
D318,325	S	7/1991	McKiney	
5,044,020	A	9/1991	Lewandowski et al.	
5,822,804	A	10/1998	Hauflaire	
D429,320	S	8/2000	Reynolds	
D438,942	S *	3/2001	Kim	D23/297
6,279,180	B1 *	8/2001	Bell	A47K 13/24 362/84

D475,115	S *	5/2003	Ferrer	D23/302
6,772,454	B1 *	8/2004	Barry	A47K 11/04 4/661
D505,996	S *	6/2005	Khan	D23/295
D510,133	S	9/2005	Hauflaire et al.	
8,635,716	B2	1/2014	Shon	
2002/0020006	A1	2/2002	Mason, Jr. et al.	
2008/0052810	A1	3/2008	Zeeb et al.	
2010/0005582	A1	1/2010	Rao	

\* cited by examiner

*Primary Examiner* — Robert Delehanty

(57) **CLAIM**

The ornamental design for a urinal potty trainer, as shown and described.

**DESCRIPTION**

FIG. 1 is an exploded front view of a urinal potty trainer showing my new design;  
 FIG. 2 is an exploded back view of the urinal potty trainer;  
 FIG. 3 is an exploded left side view of the urinal potty trainer;  
 FIG. 4 is an exploded right side view of the urinal potty trainer;  
 FIG. 5 is an exploded bottom view of the urinal potty trainer;  
 FIG. 6 is an exploded top view of the urinal potty trainer;  
 and,  
 FIG. 7 is an exploded top front side perspective view of the urinal potty trainer.

**1 Claim, 7 Drawing Sheets**

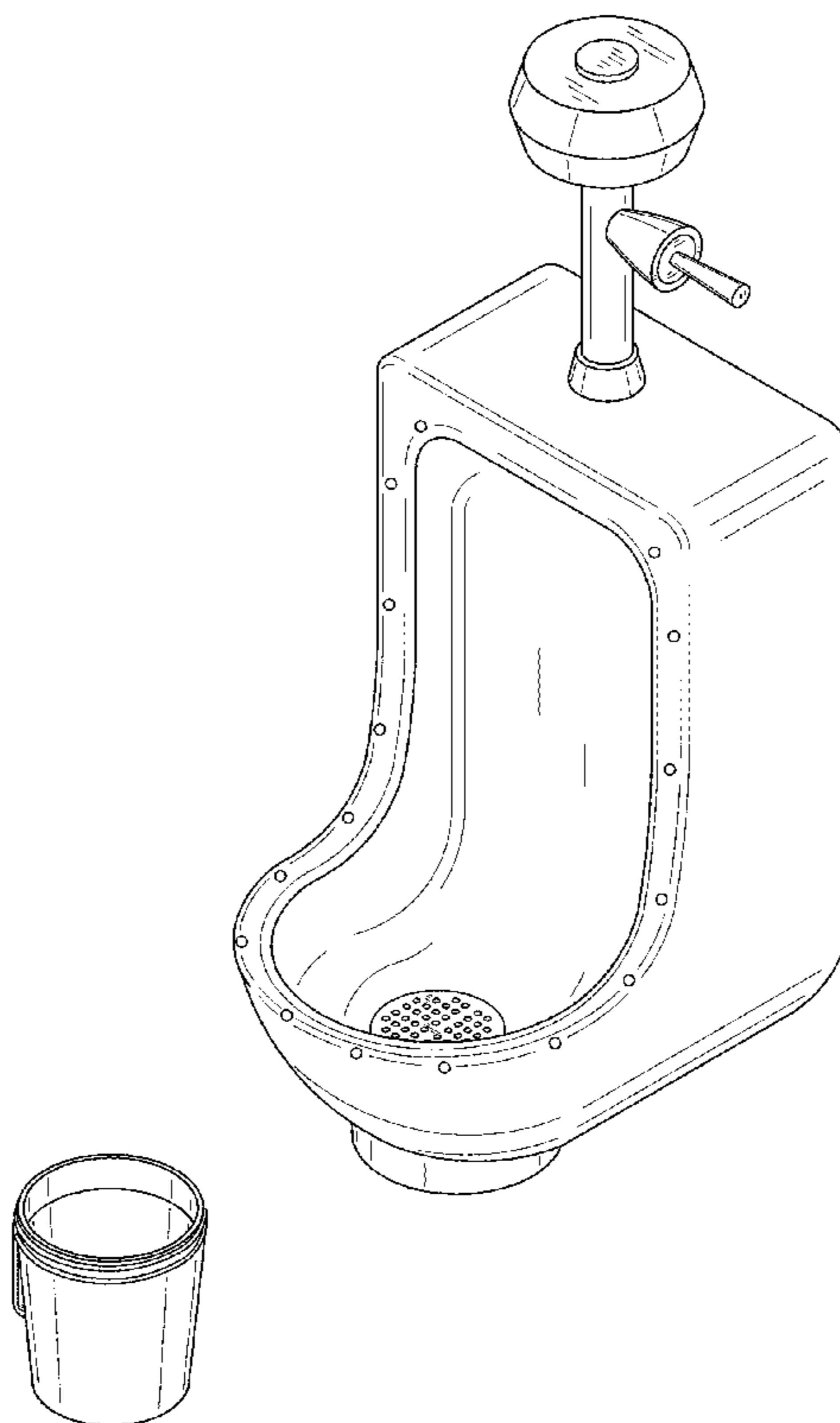


FIG. 1

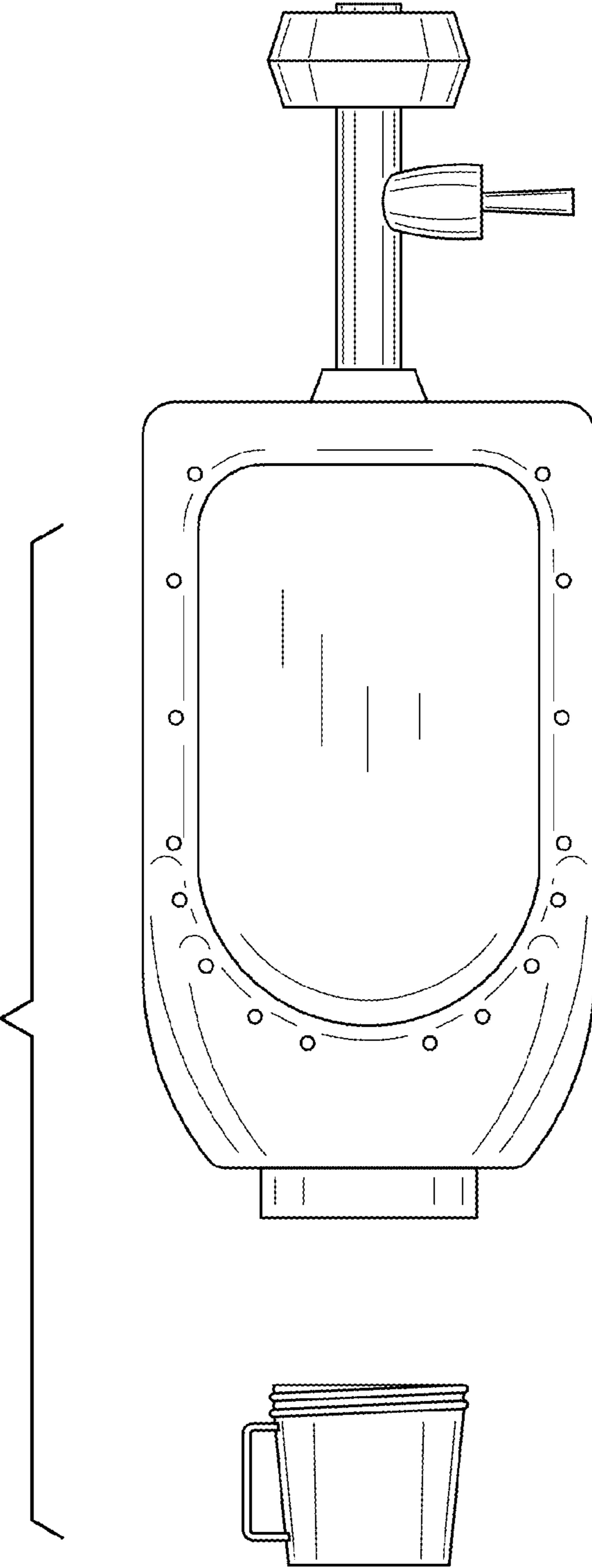
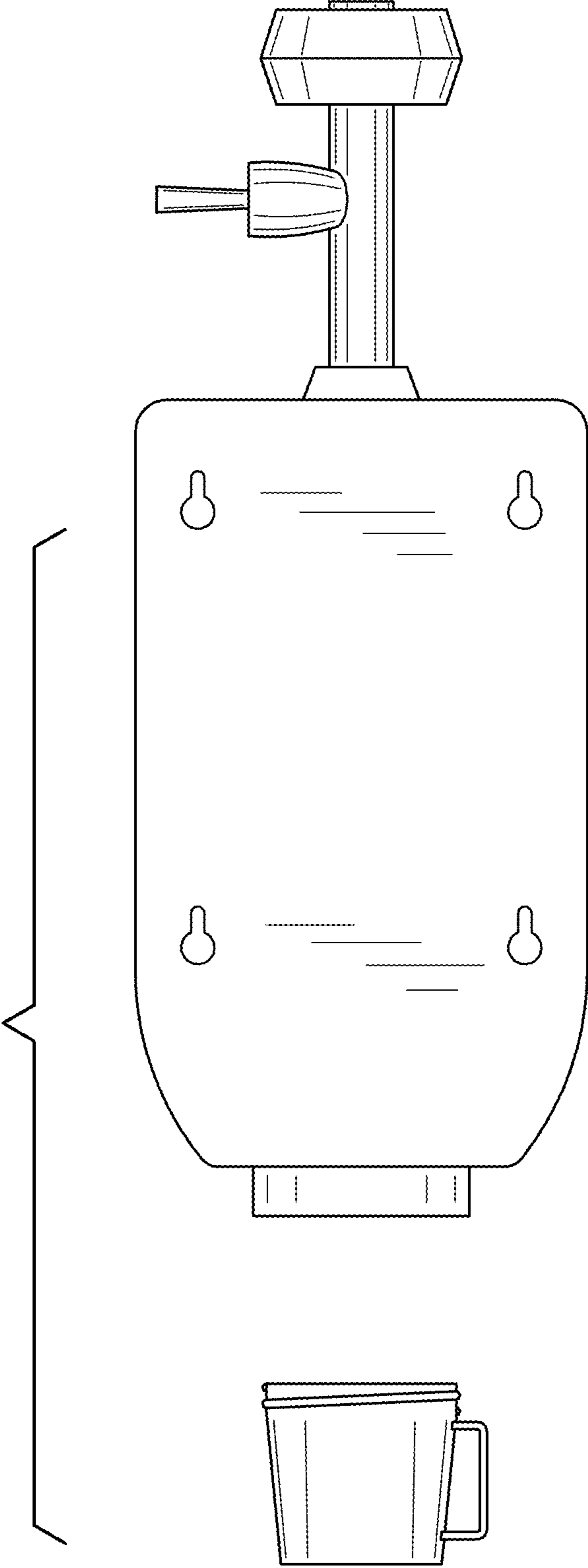


FIG. 2



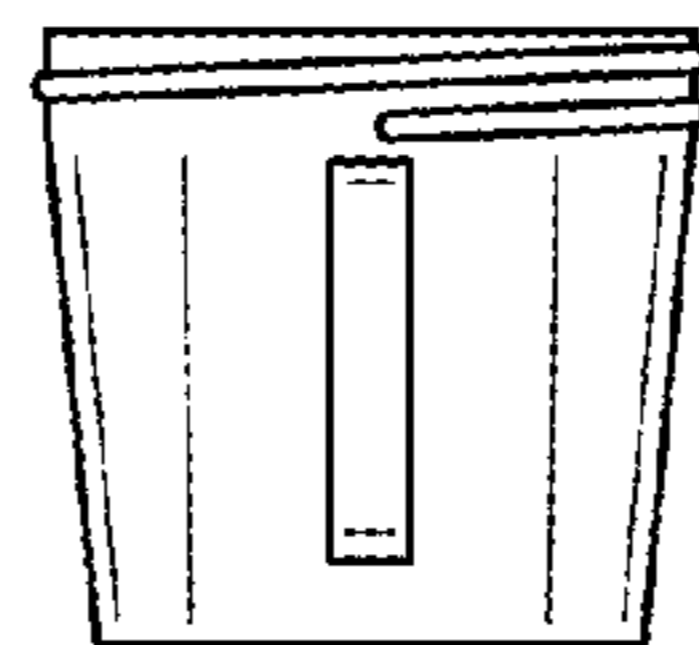
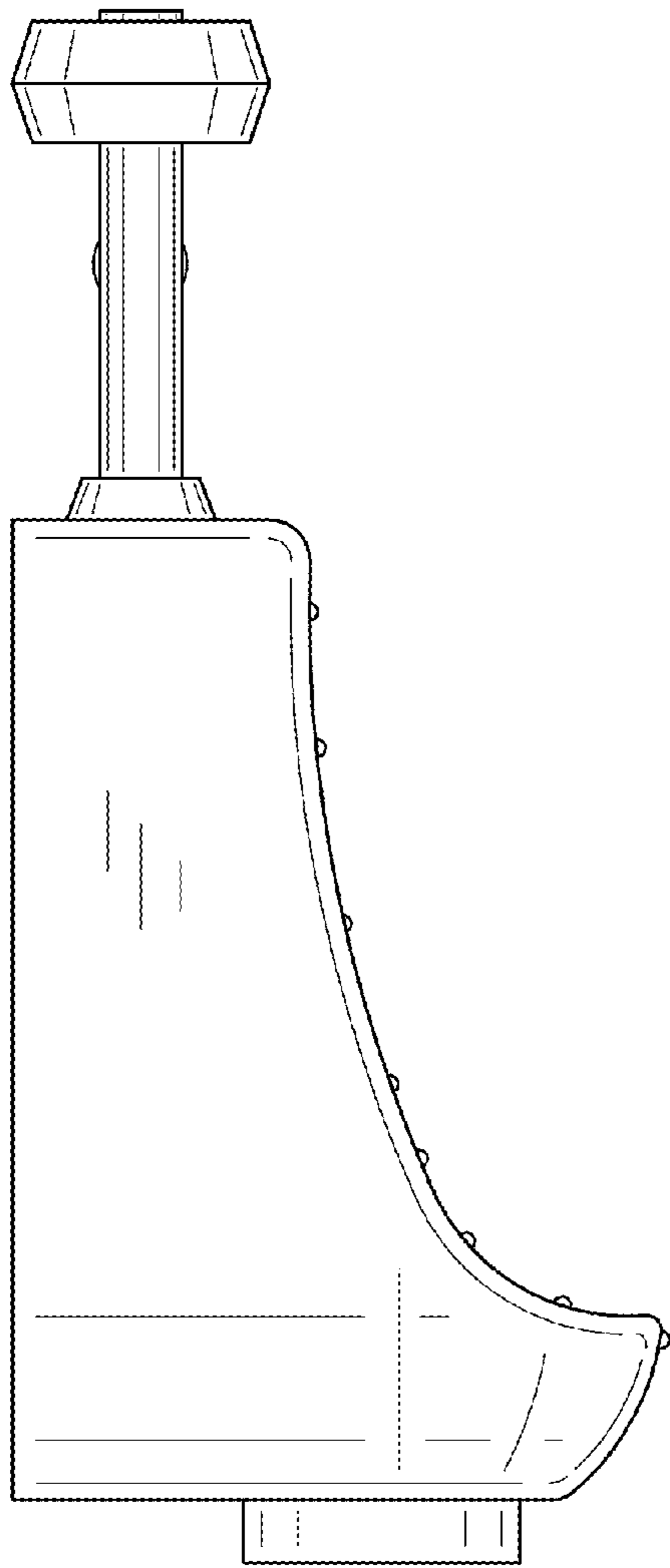


FIG. 3

FIG. 4

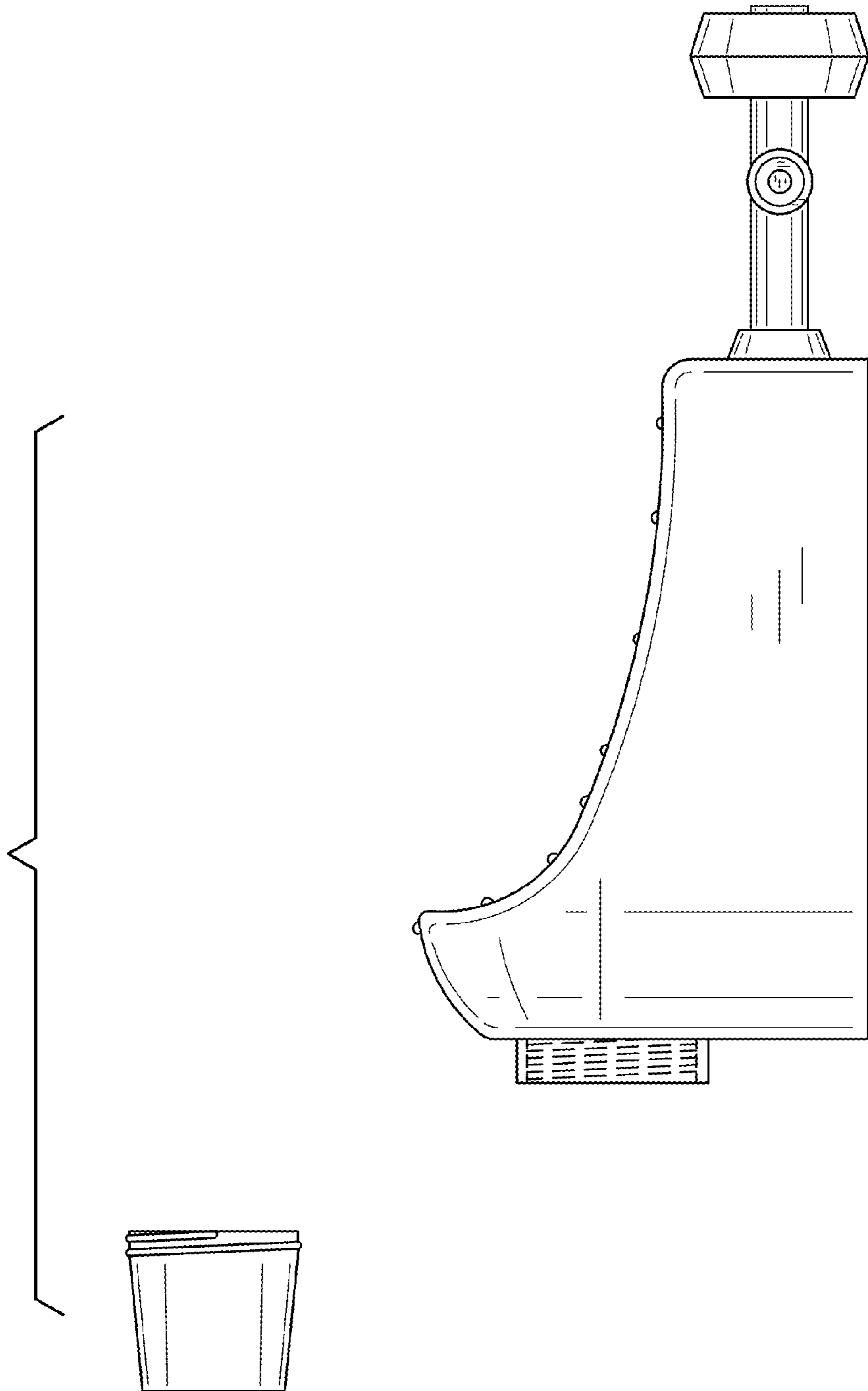


FIG. 5

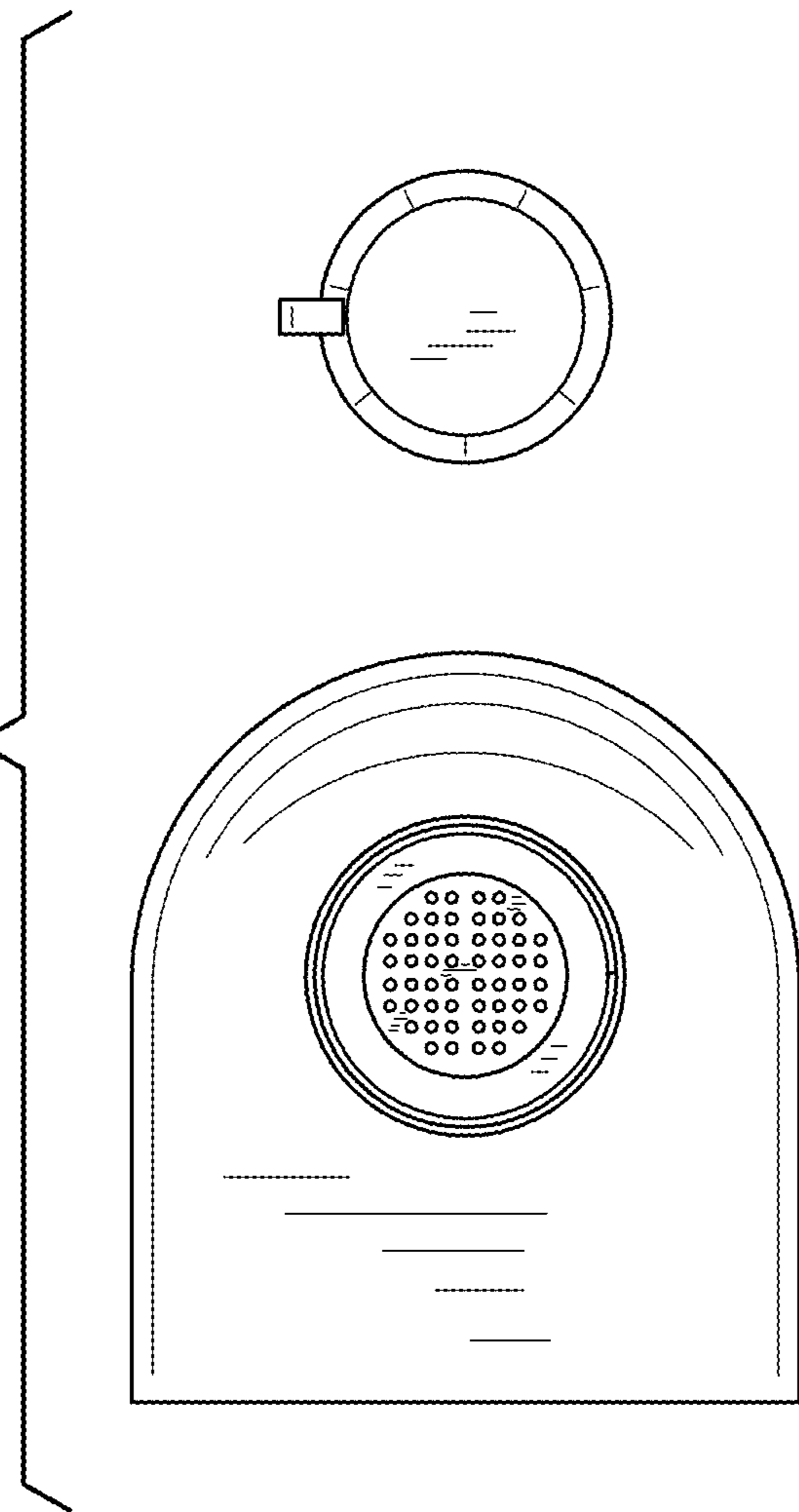
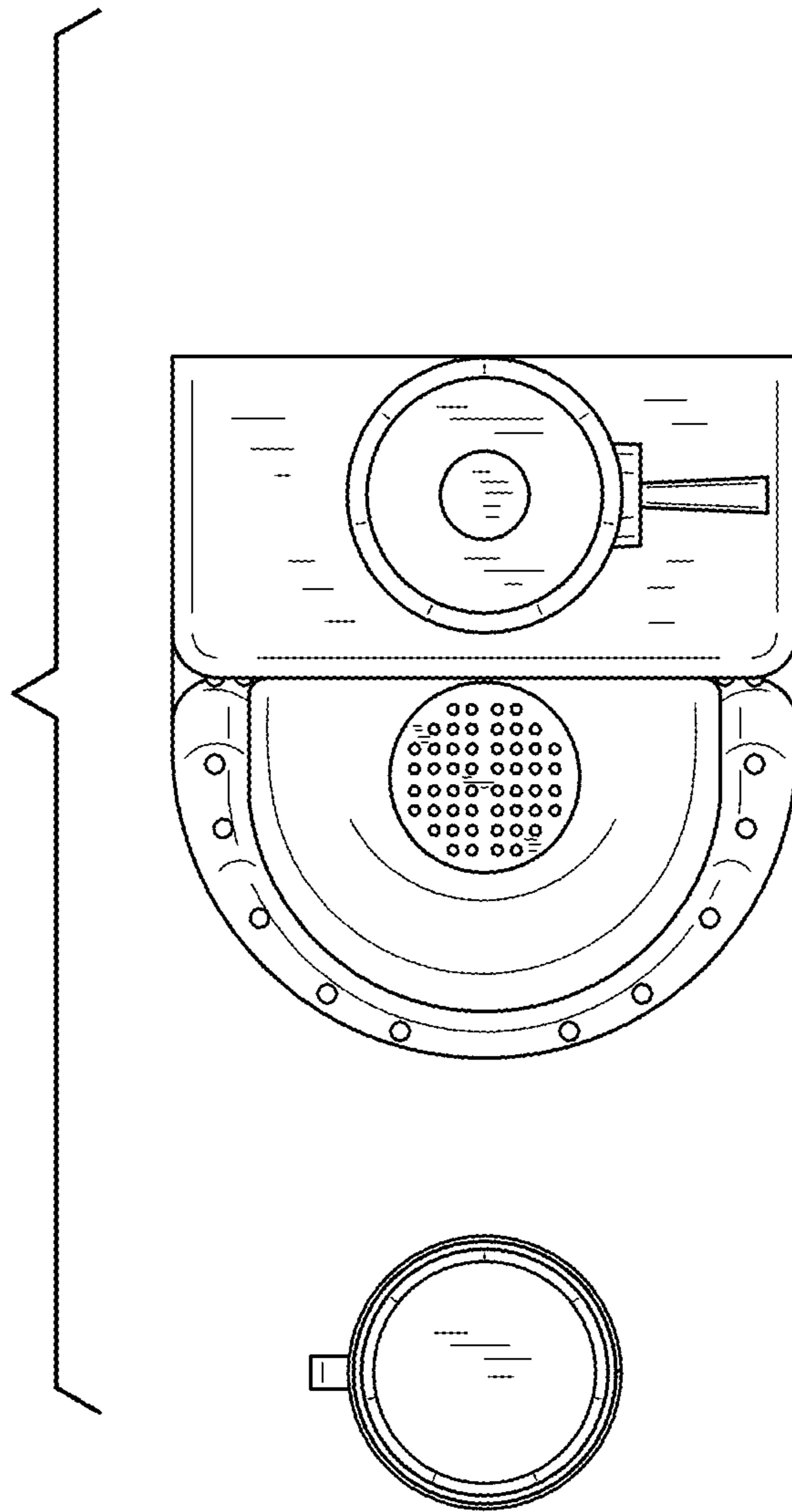


FIG. 6



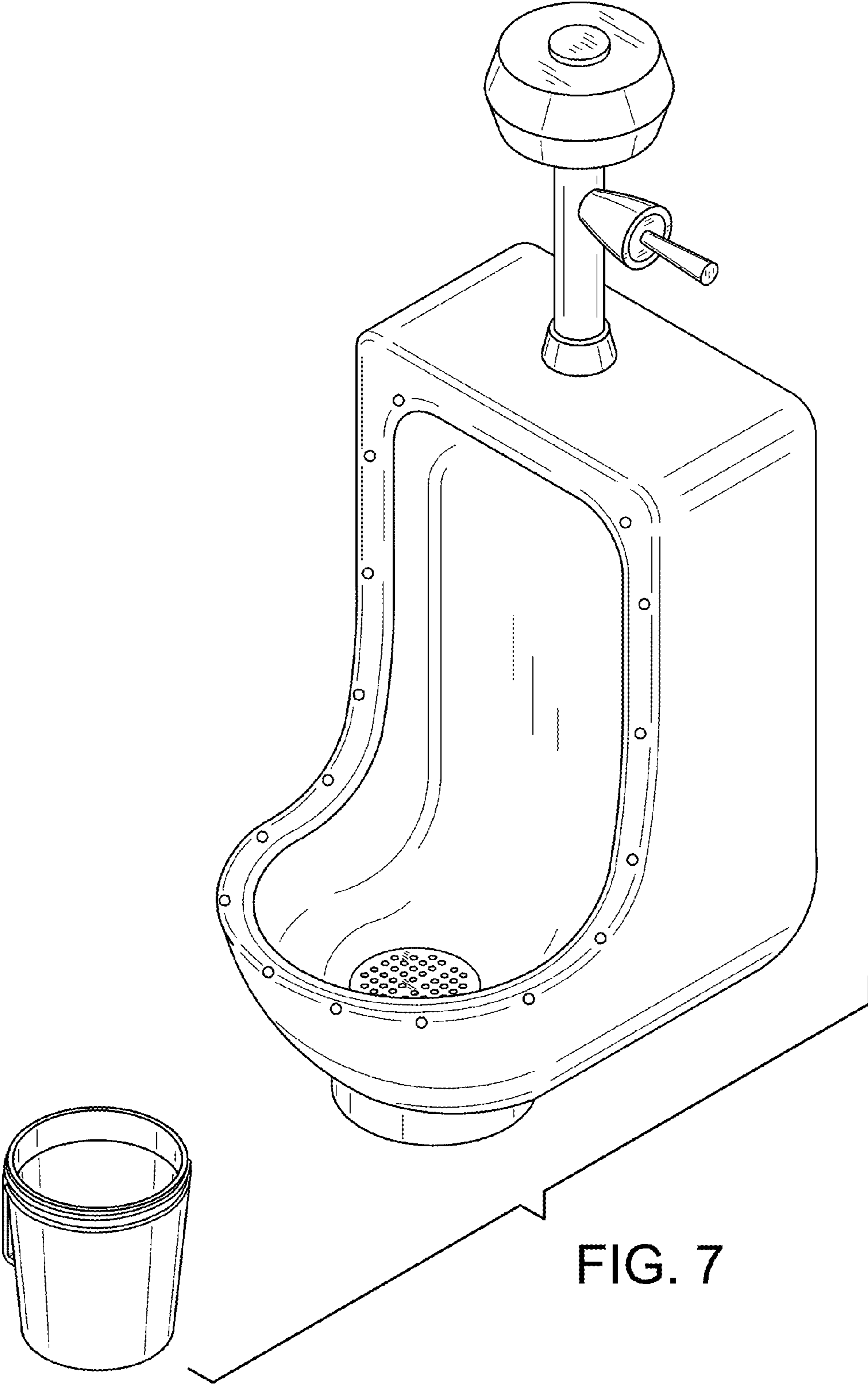


FIG. 7