



US00D766402S

(12) **United States Design Patent** (10) **Patent No.:** **US D766,402 S**
Mangold (45) **Date of Patent:** **** Sep. 13, 2016**

(54) **VALVE** D461,873 S * 8/2002 Myran D23/233
 7,048,251 B2 * 5/2006 Schreiner F16K 31/055
 251/111
 (71) Applicant: **FESTO AG & Co. KG**, Esslingen (DE) D638,521 S 5/2011 Matusche
 D691,240 S * 10/2013 Iranyi D23/233
 D691,701 S * 10/2013 Iranyi D23/233
 (72) Inventor: **Simone Mangold**, Esslingen (DE) 8,632,054 B2 * 1/2014 Carlson F16K 31/043
 251/128
 (73) Assignee: **FESTO AG & CO. KG**, Esslingen (DE) D701,943 S 4/2014 Gaertner
 D749,194 S * 2/2016 Yoshida D23/233

OTHER PUBLICATIONS

“System 8802 Continuous Classic” of Christian Burkert GmbH & Co, KG.

* cited by examiner

Primary Examiner — Cynthia Ramirez

Assistant Examiner — Gino Colan

(74) *Attorney, Agent, or Firm* — Hoffmann & Baron, LLP

(**) Term: **15 Years**
 (21) Appl. No.: **29/530,831**
 (22) Filed: **Jun. 19, 2015**

(30) **Foreign Application Priority Data**

Dec. 23, 2014 (WO) 861956201

(51) **LOC (10) Cl.** **23-01**

(52) **U.S. Cl.**
USPC **D23/233**

(58) **Field of Classification Search**
 USPC D23/233–249, 213; 137/487.5, 12, 14,
 137/554, 556, 553, 315.35; 251/129.12,
 251/129.02, 129.03, 291, 292, 128, 129.11,
 251/304, 129.13, 111, 93, 101, 97, 63.5, 58,
 251/331; D13/158, 162, 164, 177, 184, 199
 CPC F16K 31/0675; F16K 31/00; F16K 31/12;
 F16K 31/043; F16K 31/055
 See application file for complete search history.

(57) **CLAIM**

The ornamental design for a valve, as shown and described.

DESCRIPTION

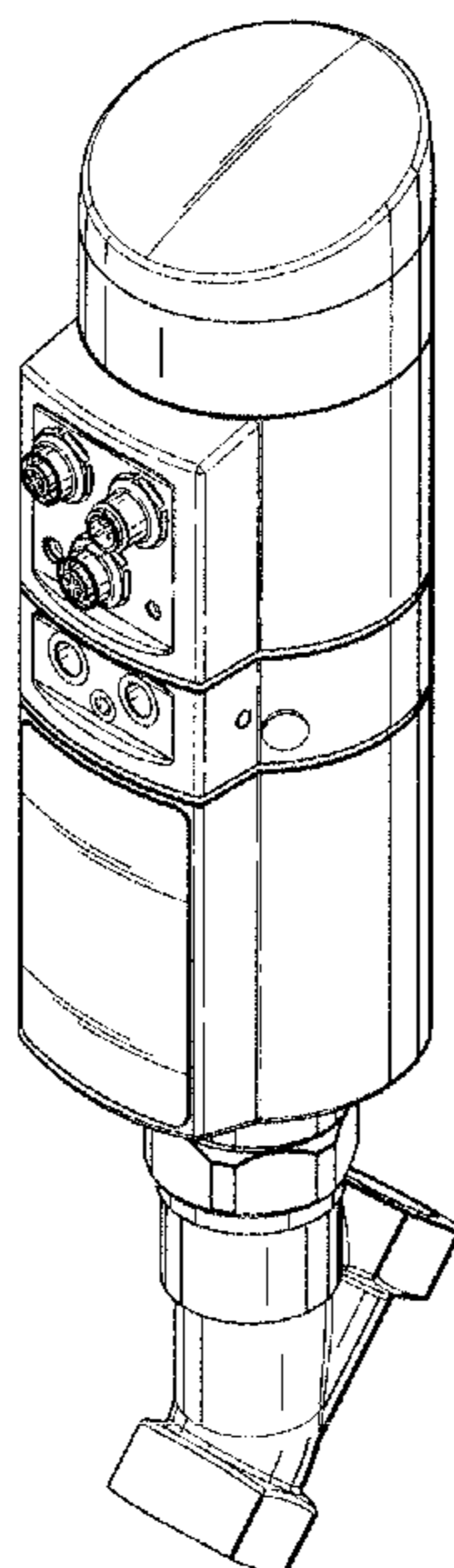
FIG. 1 is a top perspective view of a valve showing my new design;
 FIG. 2 is a front view thereof;
 FIG. 3 is a rear view thereof;
 FIG. 4 is a left view thereof;
 FIG. 5 is a right view thereof;
 FIG. 6 is a top plan view thereof shown in a larger scale; and,
 FIG. 7 is a bottom plan view thereof shown in a larger scale.
 The broken line shown in the figures are included for the purpose of illustrating portions of the valve and form no part of the claimed design.

(56) **References Cited**

U.S. PATENT DOCUMENTS

D322,657 S * 12/1991 Aarthun D23/233
 D363,761 S * 10/1995 Eggleston D23/233
 6,073,907 A * 6/2000 Schreiner, Jr. F16K 31/043
 251/129.02

1 Claim, 7 Drawing Sheets



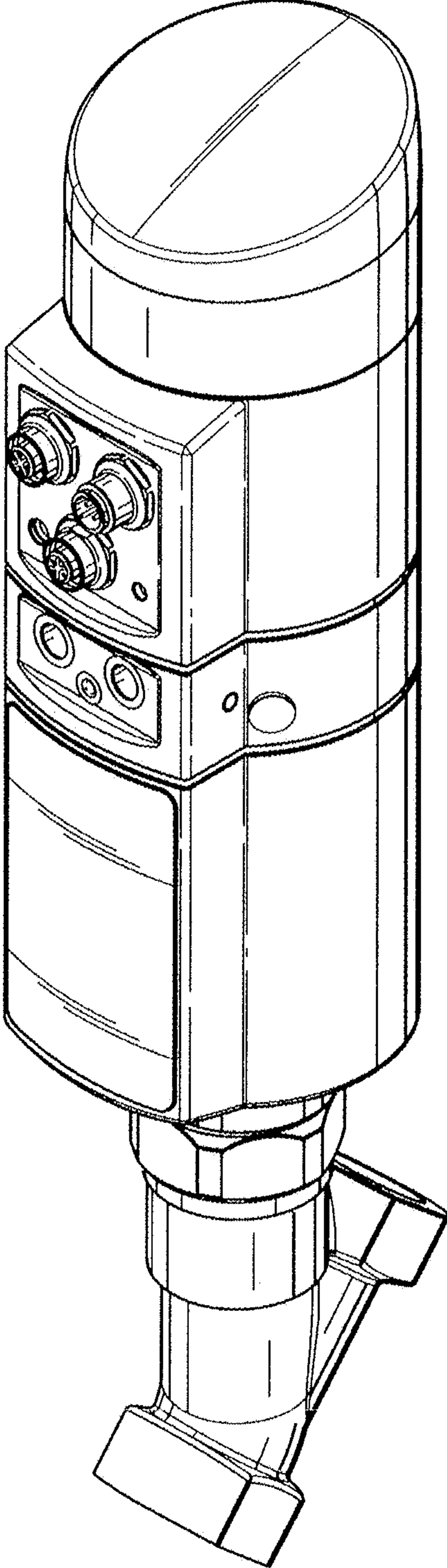


FIG. 1

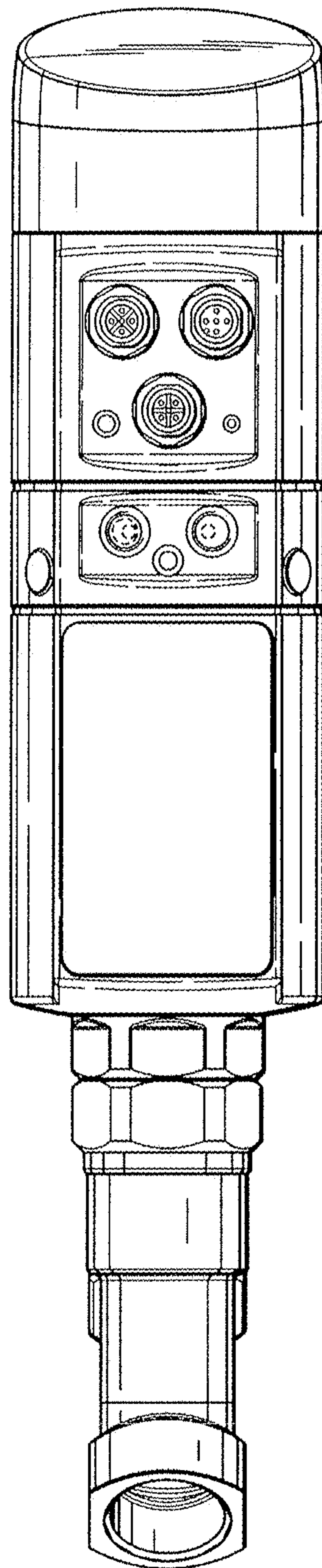


FIG. 2

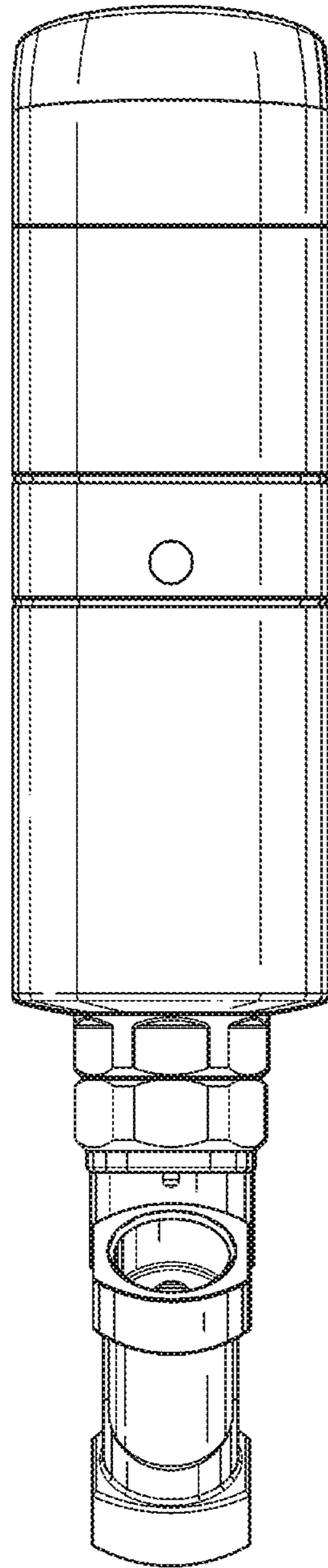


FIG. 3

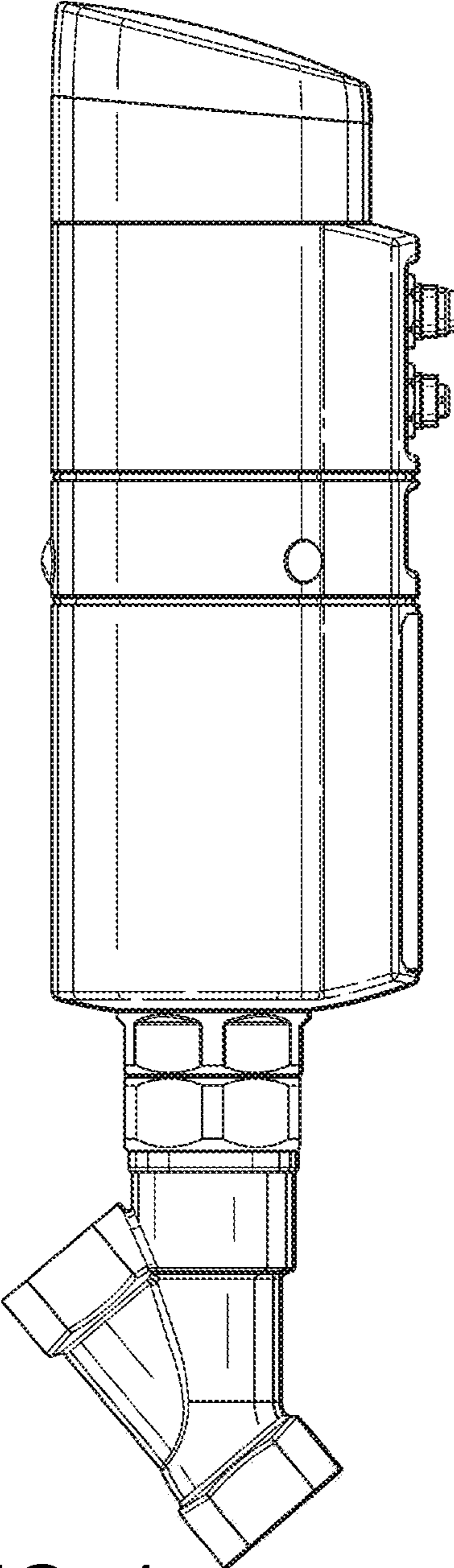


FIG. 4

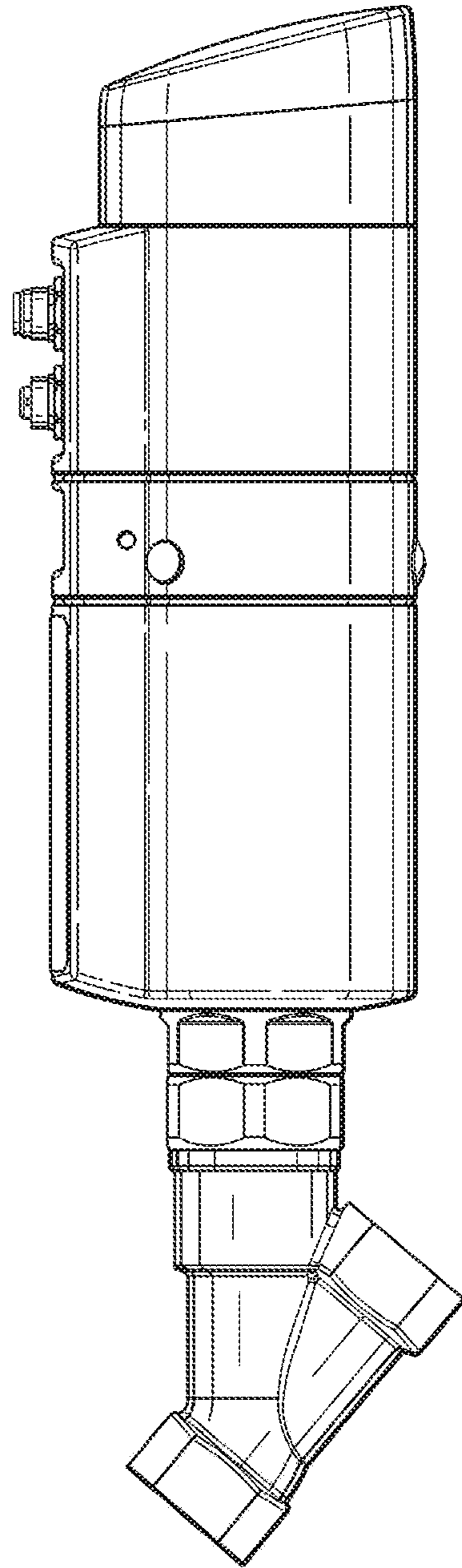


FIG. 5

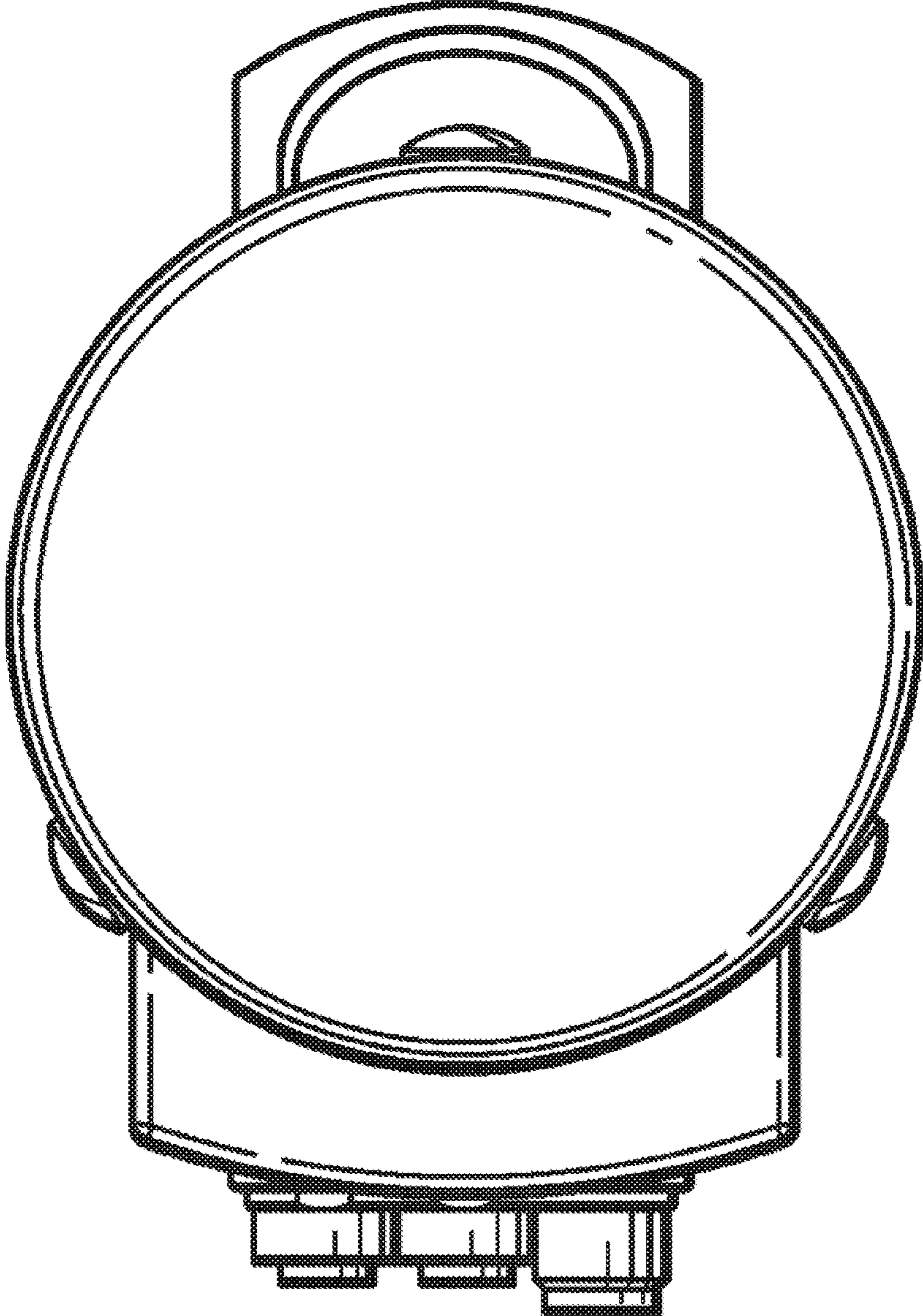


FIG. 6

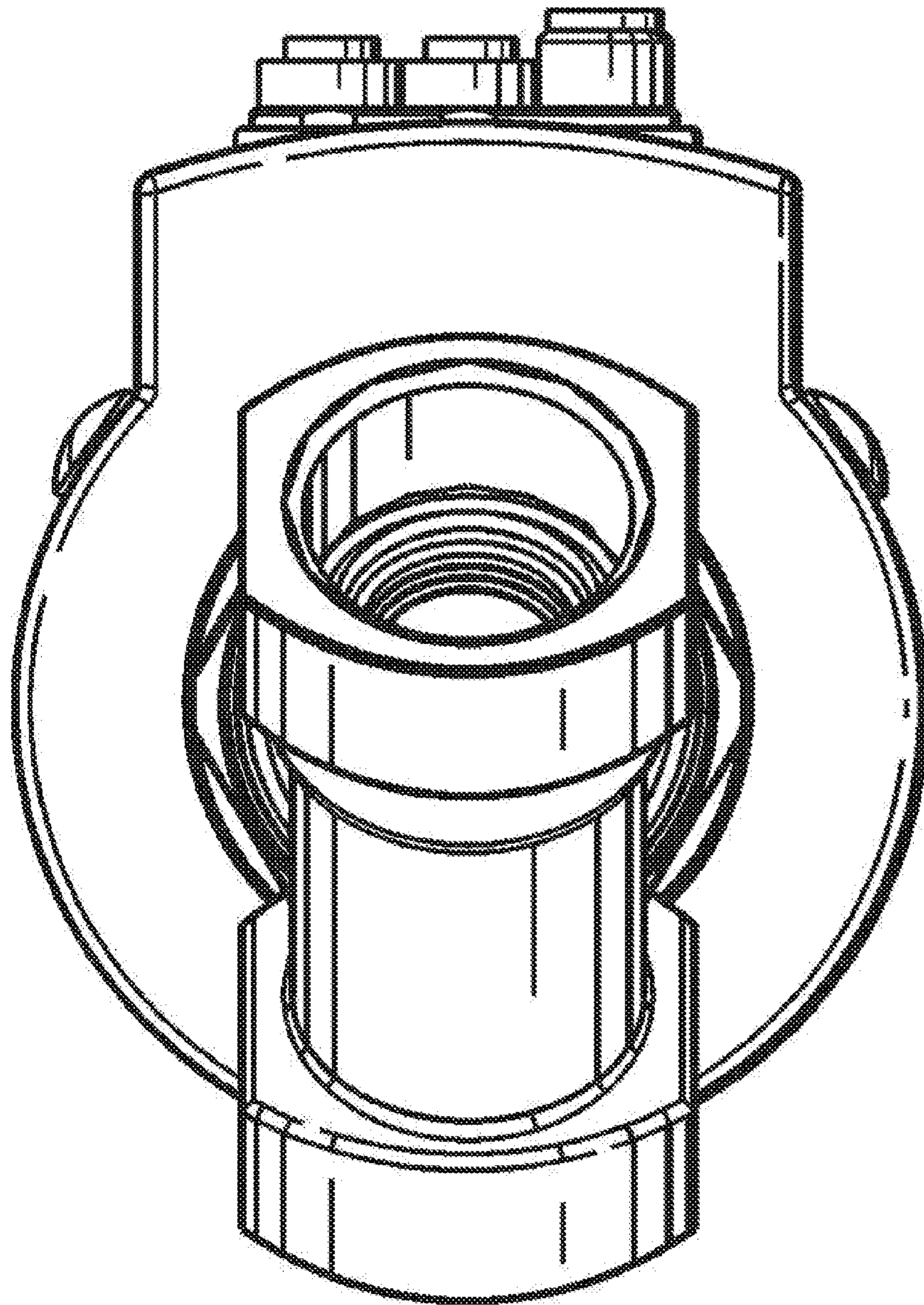


FIG. 7