

US00D766401S

(12) **United States Design Patent** (10) **Patent No.:** **US D766,401 S**
Zhu et al. (45) **Date of Patent:** **** Sep. 13, 2016**

(54) **VALVE**

(71) Applicant: **Honeywell International Inc.**,
Morristown, NJ (US)

(72) Inventors: **Jie Zhu**, Shanghai (CN); **Jex Zhang**,
Shanghai (CN)

(73) Assignee: **Honeywell International Inc.**, Morris
Plains, NJ (US)

(**) Term: **15 Years**

(21) Appl. No.: **29/527,366**

(22) Filed: **May 18, 2015**

(51) **LOC (10) Cl.** **23-01**

(52) **U.S. Cl.**
USPC **D23/233**

(58) **Field of Classification Search**
USPC D23/233-269, 364, 365; 137/398, 545,
137/54, 549, 62, 385, 505.42, 505.12, 318;
128/206.15, 201.13, 205.24, 207.13;
D24/110.6
CPC F16K 15/16; F16K 15/144; F16K 27/003
See application file for complete search history.

(56) **References Cited**

U.S. PATENT DOCUMENTS

D249,279 S * 9/1978 Backlund D23/233
5,036,843 A * 8/1991 Schreurs A61B 5/09
128/205.24

D413,166 S * 8/1999 Snow D24/110.1
D676,527 S * 2/2013 Xue D23/248
D746,439 S * 12/2015 Steindorf D24/110.6
2012/0091381 A1 * 4/2012 Kern A62B 18/10
251/336
2012/0325205 A1 * 12/2012 Allum A61M 16/0666
128/201.13
2015/0314147 A1 * 11/2015 Fleming A62B 23/025
128/206.17

* cited by examiner

Primary Examiner — Cynthia Ramirez
Assistant Examiner — Gino Colan

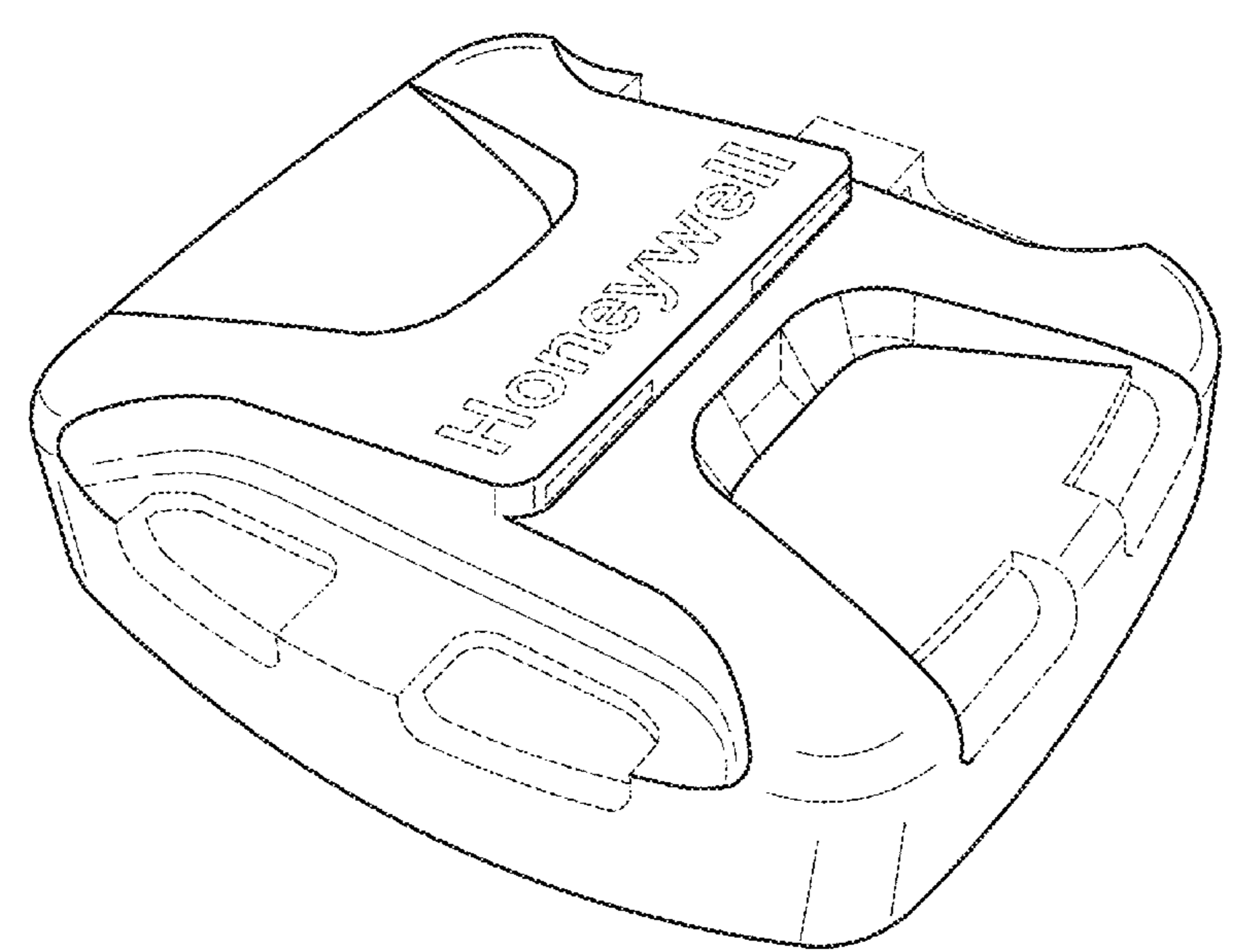
(74) *Attorney, Agent, or Firm* — Conley Rose, P.C.; Kristin
Jordan Harkins

(57) **CLAIM**
The ornamental design for a valve, as shown and described.

DESCRIPTION

FIG. 1 is a perspective view of a valve in accordance with the new design;
 FIG. 2 is a top elevation view thereof;
 FIG. 3 is a bottom elevation view thereof;
 FIG. 4 is a front elevation view thereof
 FIG. 5 is a rear elevation view thereof;
 FIG. 6 is a side elevation view thereof; and,
 FIG. 7 is an alternate side elevation view thereof, showing the side opposing that shown in FIG. 6.
 The broken lines shown in the drawings are only provided to illustrate the environment of the design, and form no part of the claimed design.

1 Claim, 5 Drawing Sheets



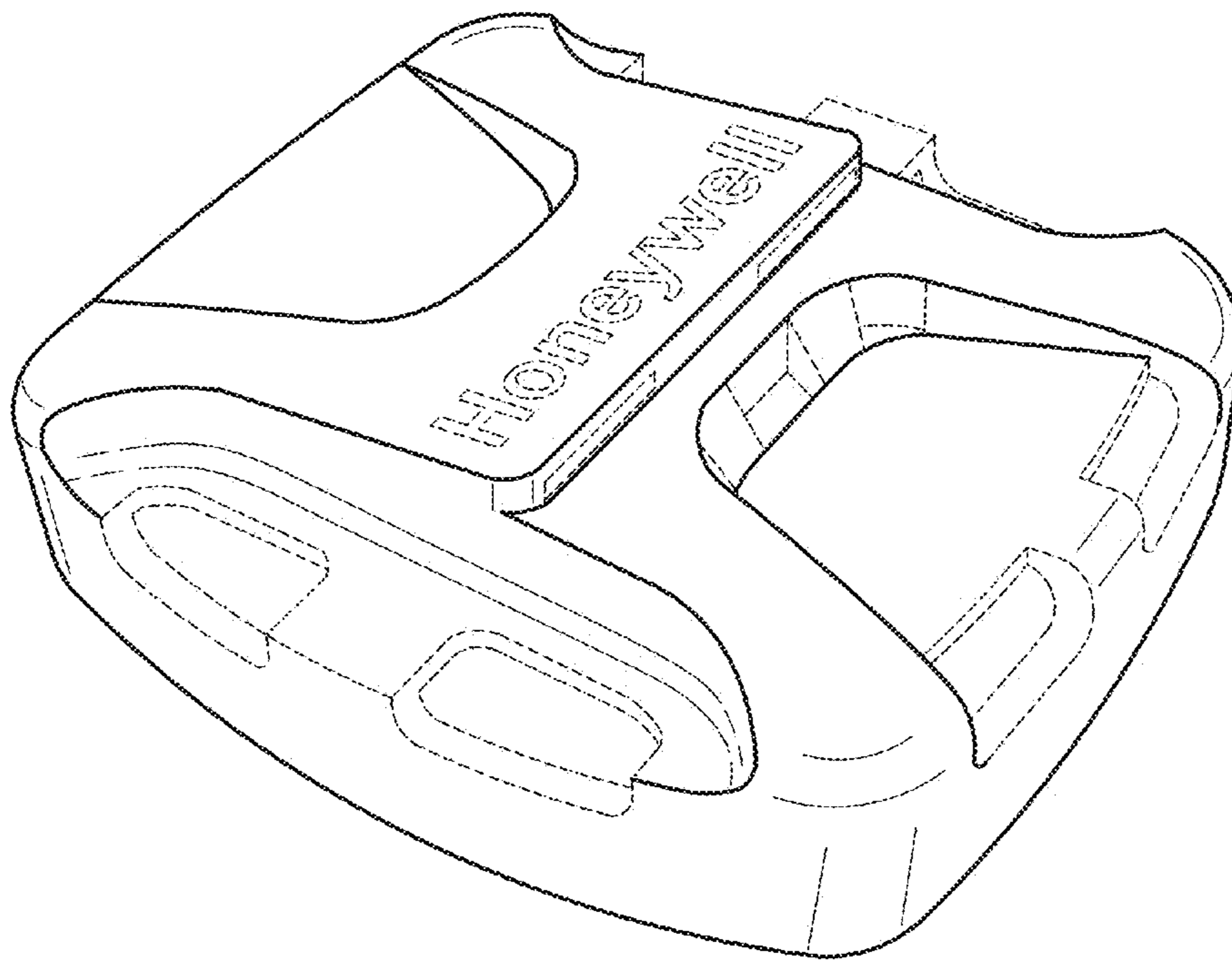


FIG. 1

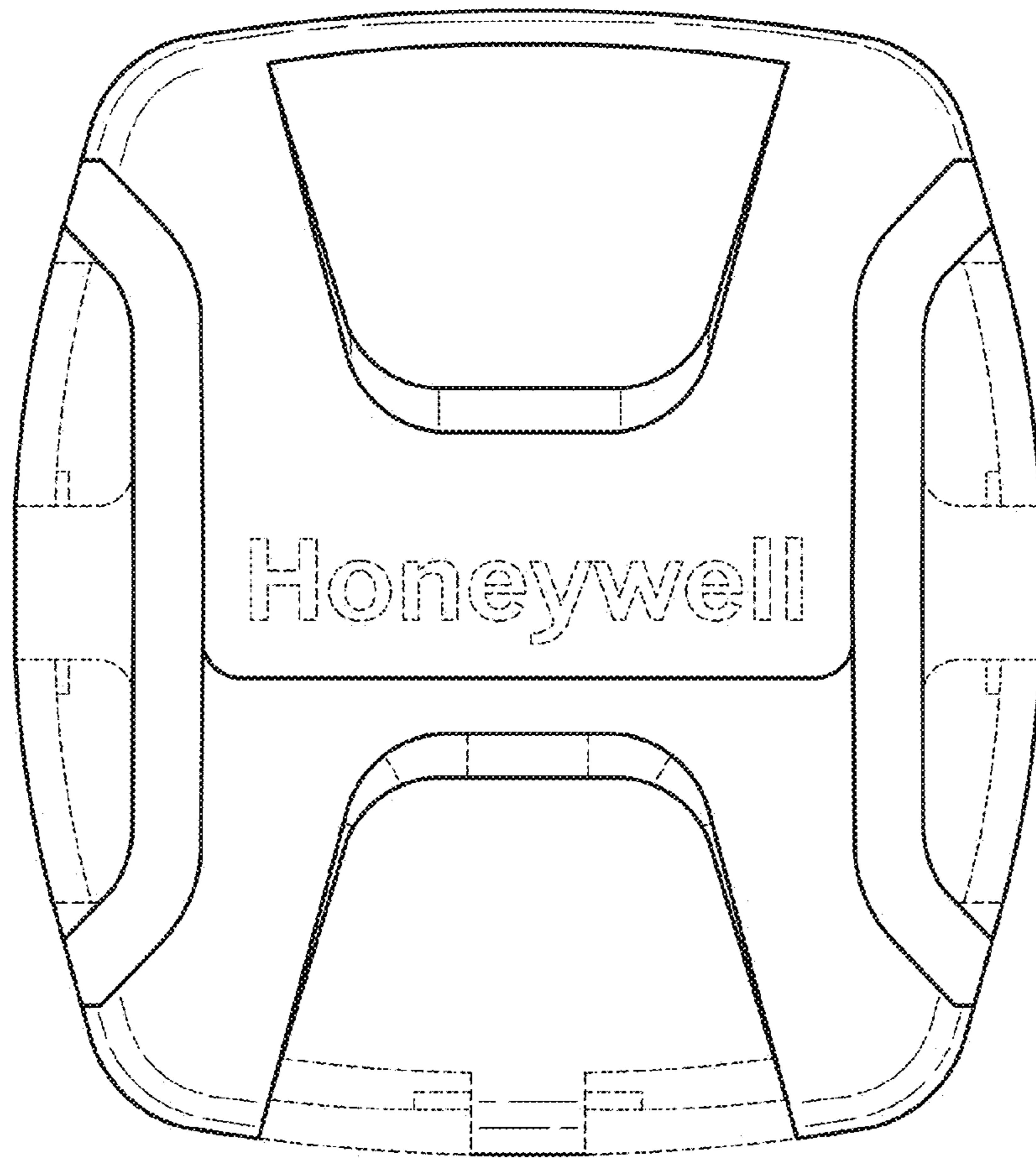


FIG. 2

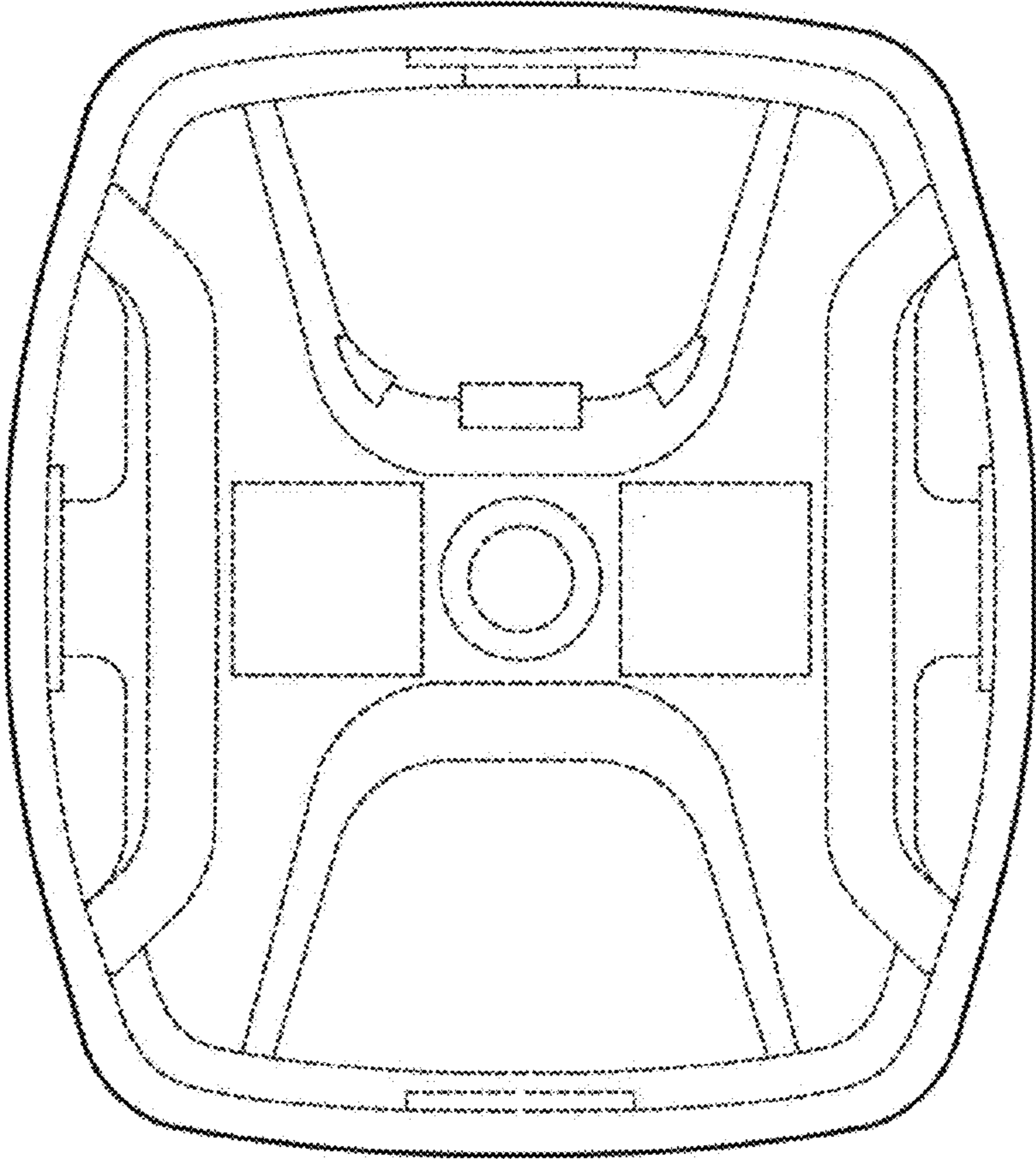


FIG. 3

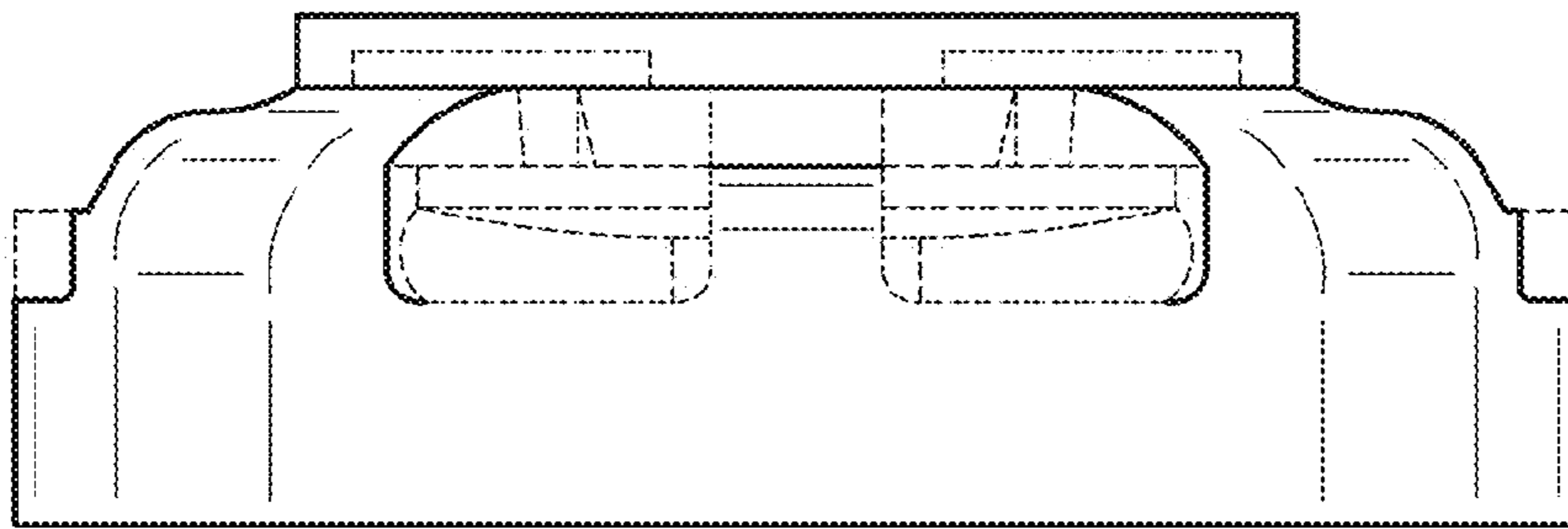


FIG. 4

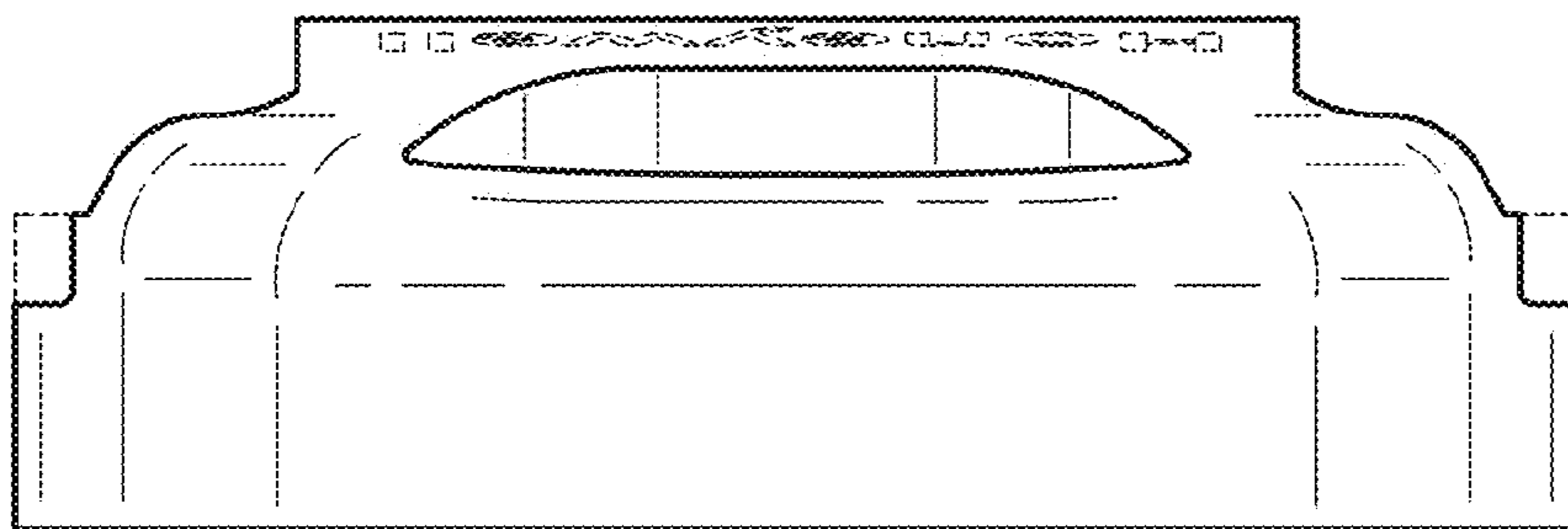


FIG. 5

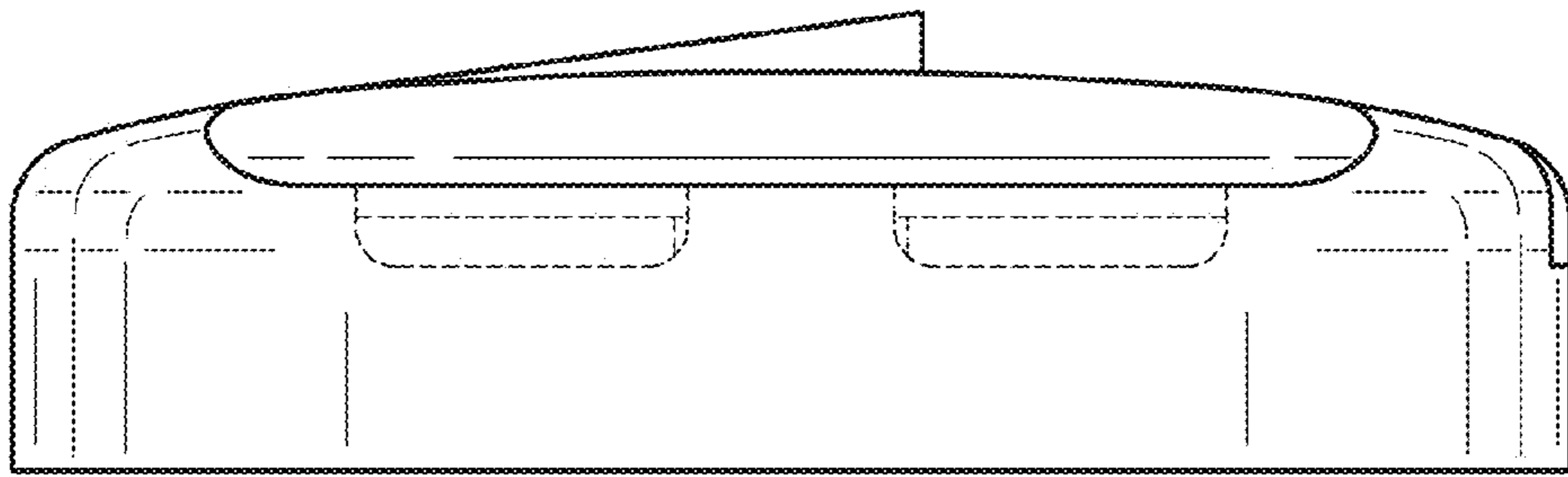


FIG. 6

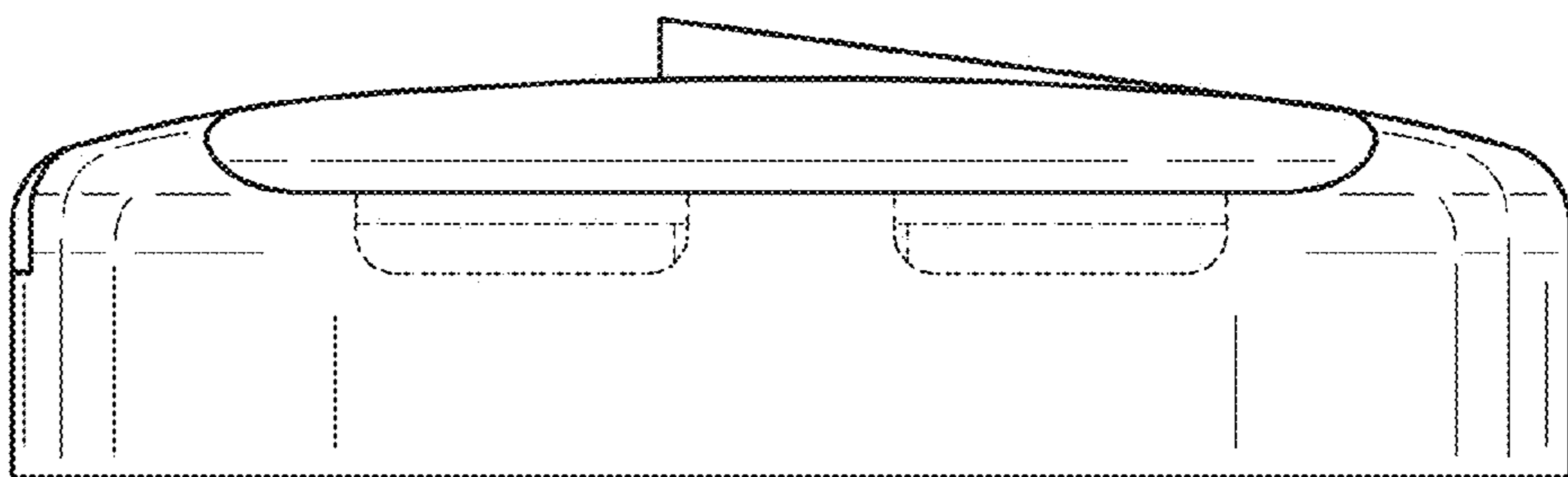


FIG. 7