

US00D766398S

(12) **United States Design Patent** (10) **Patent No.:** **US D766,398 S**
Quaethem (45) **Date of Patent:** **** Sep. 13, 2016**

(54) **TOILET DISINFECTING DISC HOLDING FLOAT**

(71) Applicant: **Kevin Quaethem**, Washington, MO (US)

(72) Inventor: **Kevin Quaethem**, Washington, MO (US)

(**) Term: **15 Years**

(21) Appl. No.: **29/537,169**

(22) Filed: **Aug. 24, 2015**

(51) **LOC (10) Cl.** **23-01**

(52) **U.S. Cl.**
USPC **D23/208**

(58) **Field of Classification Search**
USPC D23/207, 208; 4/223, 225.1, 227.1, 4/231, 232, 227.2
CPC E03D 9/02; E03D 9/032; E03D 9/005; E03D 9/038
See application file for complete search history.

(56) **References Cited**

U.S. PATENT DOCUMENTS

D192,314 S *	3/1962	Brownstein	D23/208
4,143,431 A *	3/1979	Goncalves	E03D 9/032 220/4.24
D253,123 S	10/1979	Jones		
4,254,513 A *	3/1981	Cretin	E03D 9/032 4/231

4,350,666 A	9/1982	Klutts		
D307,934 S *	5/1990	Verebelyi	D23/208
5,881,396 A	3/1999	Rivera		
6,240,572 B1	6/2001	Van Der Gaag et al.		
6,339,396 B1	1/2002	Mayersak		
6,625,821 B2 *	9/2003	Lhoste	E03D 9/032 4/223
6,651,260 B1	11/2003	Dodson		
6,662,379 B2	12/2003	Nguyen et al.		
7,073,209 B1	7/2006	McCormick		
8,806,668 B2	8/2014	Lin et al.		
D732,639 S *	6/2015	Wen	D23/208

* cited by examiner

Primary Examiner — Robin V Webster

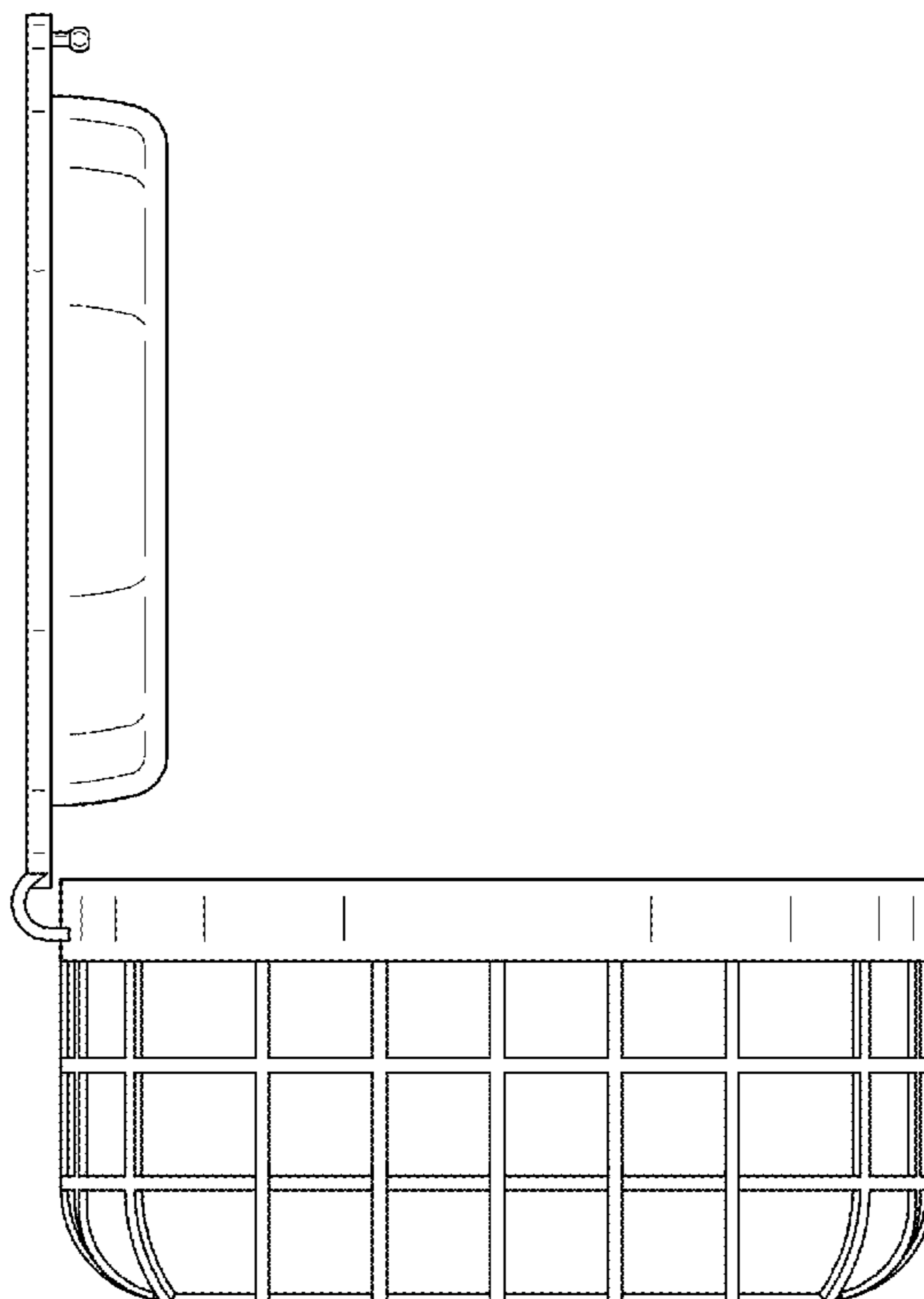
(57) **CLAIM**

The ornamental design for a toilet disinfecting disc holding float, as shown and described.

DESCRIPTION

FIG. 1 is a front view of a toilet disinfecting disc holding float in an open position and showing my new design;
 FIG. 2 is a rear view of the toilet disinfecting disc holding float;
 FIG. 3 is a left side view of the toilet disinfecting disc holding float, a right side view being a mirror image thereof;
 FIG. 4 is a top view of the toilet disinfecting disc holding float; and,
 FIG. 5 is a bottom view of the toilet disinfecting disc holding float.

1 Claim, 4 Drawing Sheets



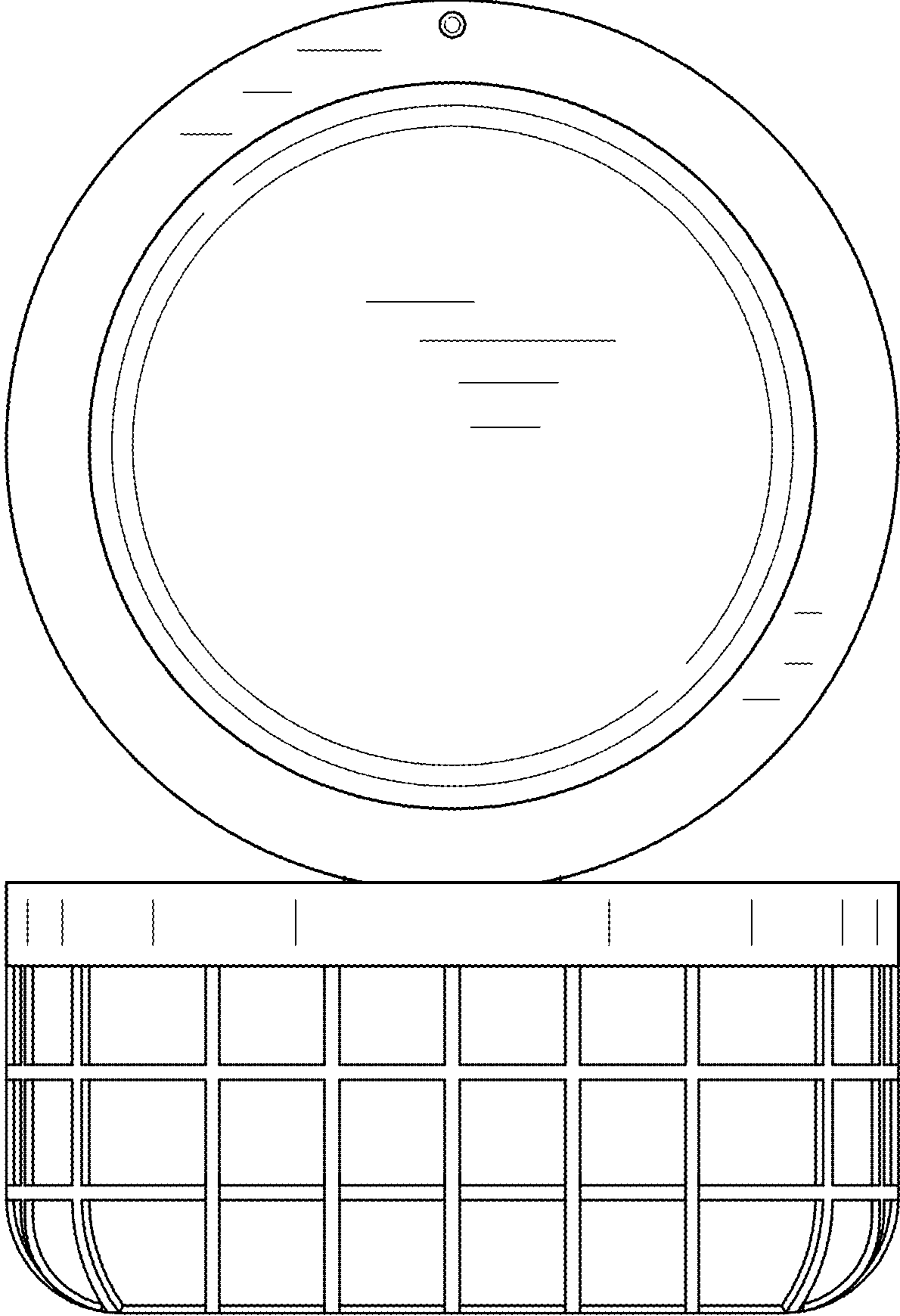


FIG. 1

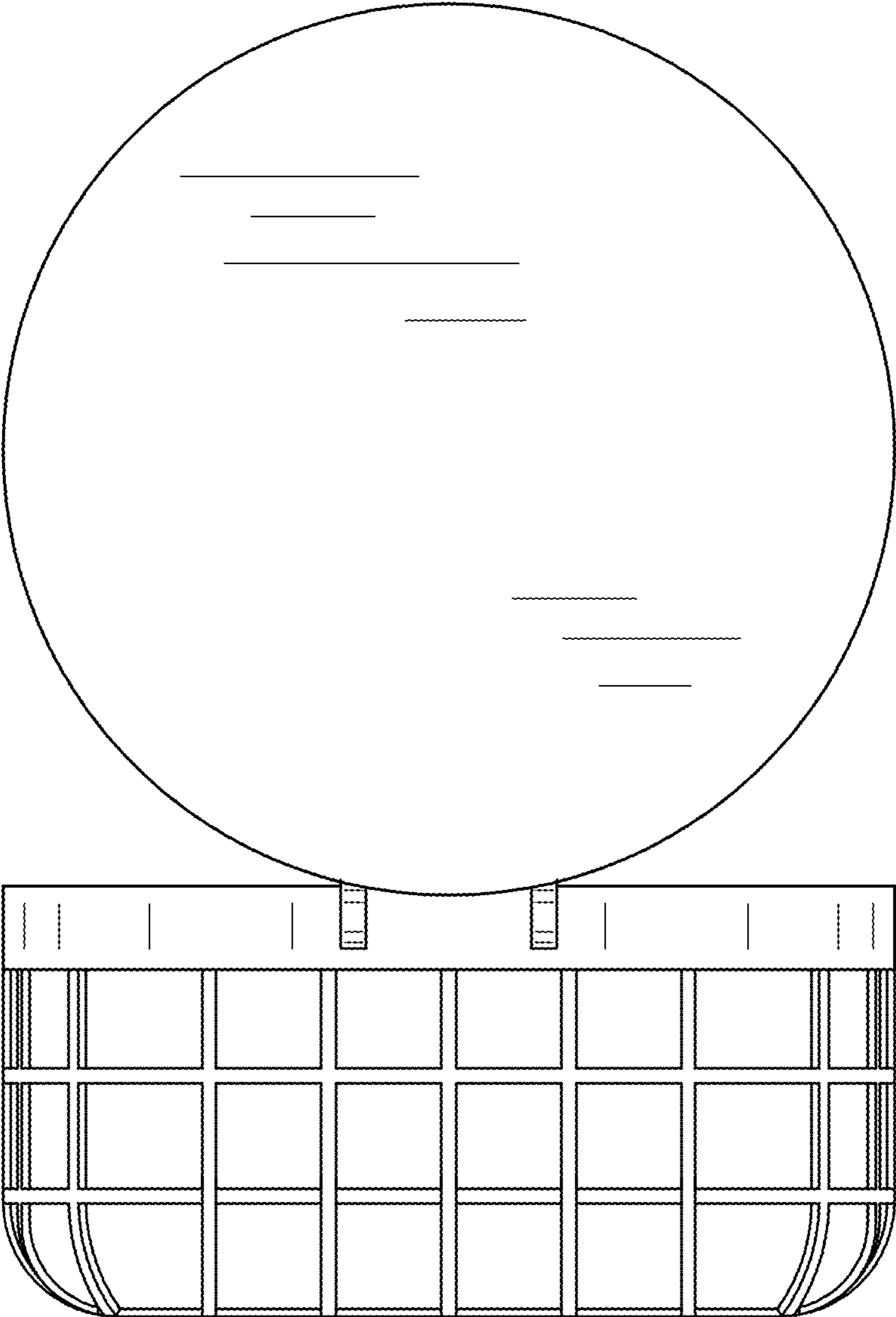


FIG. 2

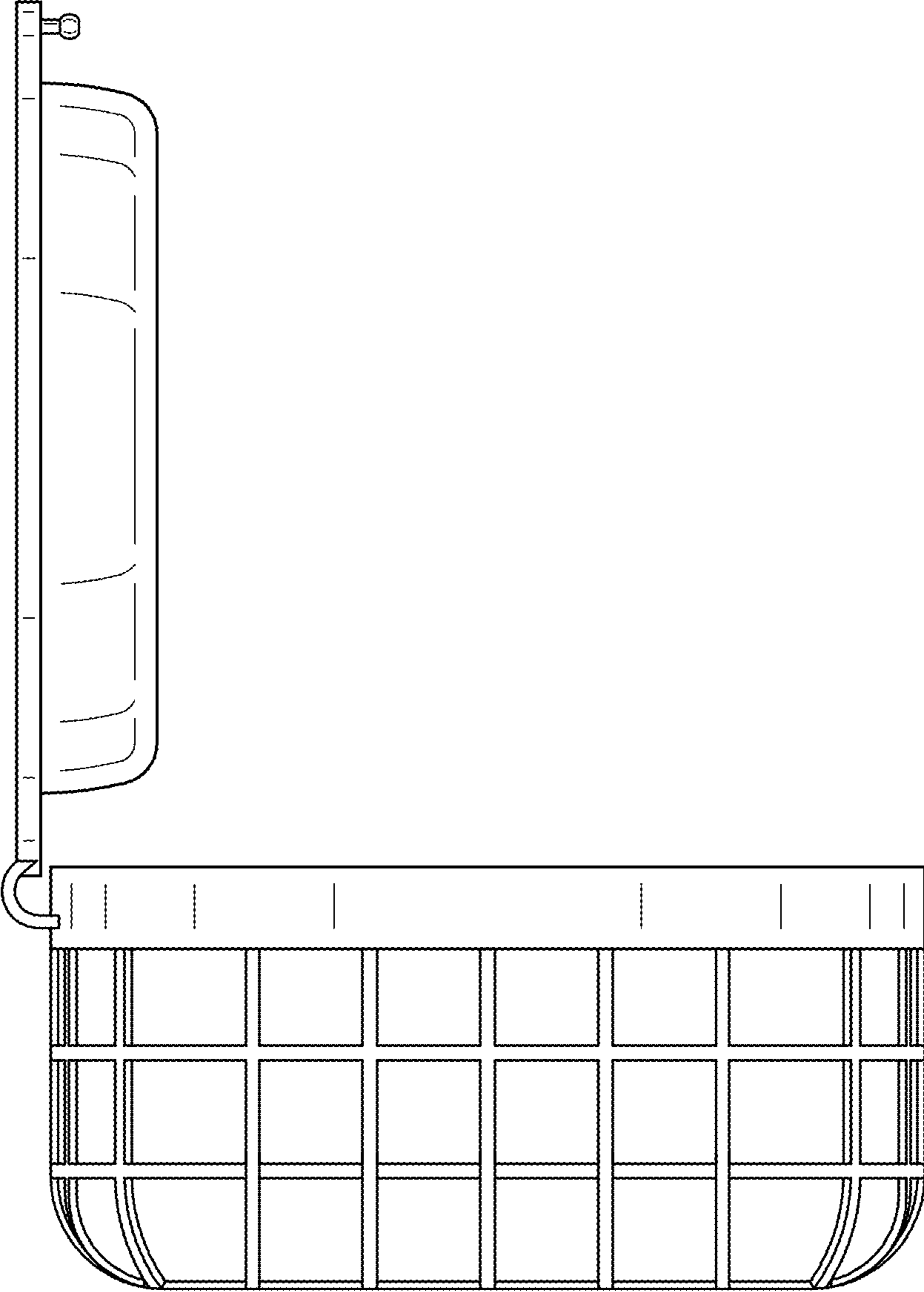


FIG. 3

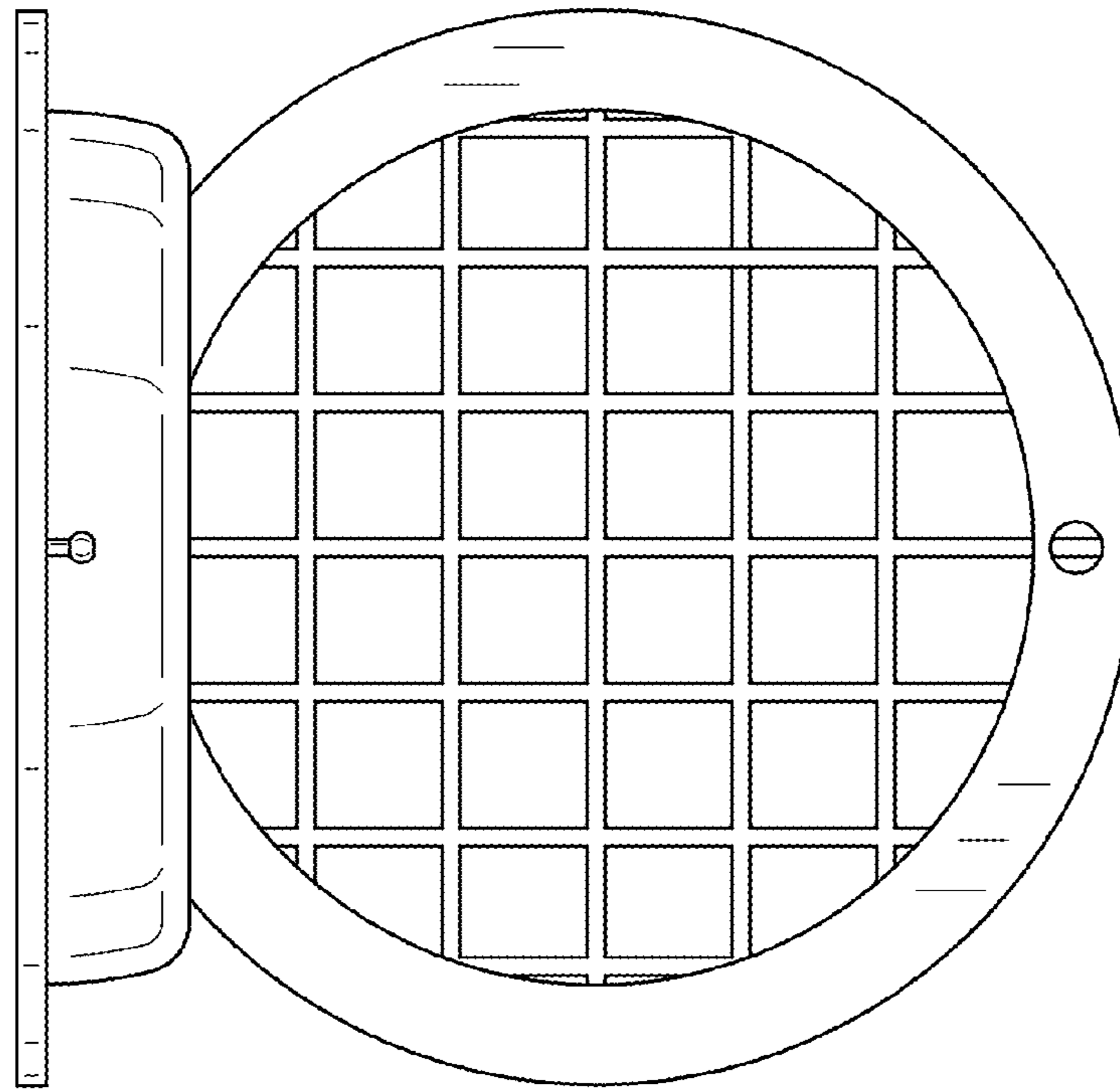


FIG. 4

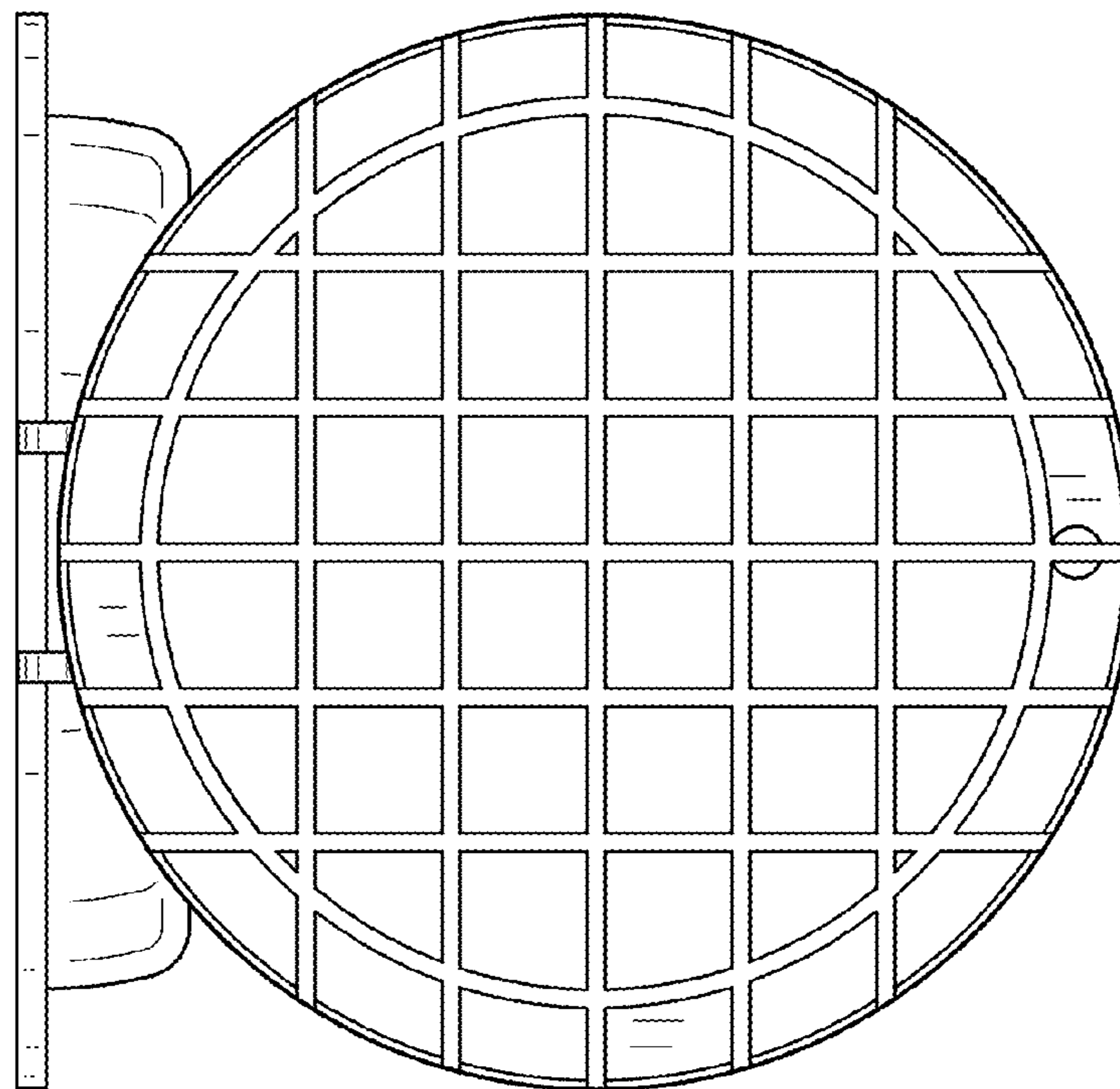


FIG. 5