

US00D766397S

(12) **United States Design Patent**
Ginn

(10) **Patent No.:** **US D766,397 S**

(45) **Date of Patent:** **** Sep. 13, 2016**

(54) **MODULAR ARCHITECTURAL CISTERN**

D724,177 S * 3/2015 Lee D23/202
D740,390 S * 10/2015 Soble D23/202
D741,981 S * 10/2015 Fitzgerald D23/202

(71) Applicant: **Jeffrey Steven Ginn**, Atlanta, GA (US)

(72) Inventor: **Jeffrey Steven Ginn**, Atlanta, GA (US)

(73) Assignee: **Jeffrey Steven Ginn**, Atlanta, GA (US)

(**) Term: **14 Years**

(21) Appl. No.: **29/524,667**

(22) Filed: **Apr. 22, 2015**

* cited by examiner

Primary Examiner — Robin V Webster

(74) *Attorney, Agent, or Firm* — Eliezer IP

Related U.S. Application Data

(63) Continuation of application No. 14/612,982, filed on Feb. 3, 2015.

(51) **LOC (10) Cl.** **23-01**

(52) **U.S. Cl.**
USPC **D23/202**

(58) **Field of Classification Search**
USPC D23/202, 203; 220/586-7, 565, 581,
220/23.4

CPC ... F17C 2201/00; B21D 51/24; B65D 88/02;
E03B 3/03

See application file for complete search history.

(56) **References Cited**

U.S. PATENT DOCUMENTS

D226,902 S * 5/1973 Lisk D23/202
D603,932 S * 11/2009 Natrass D23/202
D710,968 S * 8/2014 Colbert D23/202

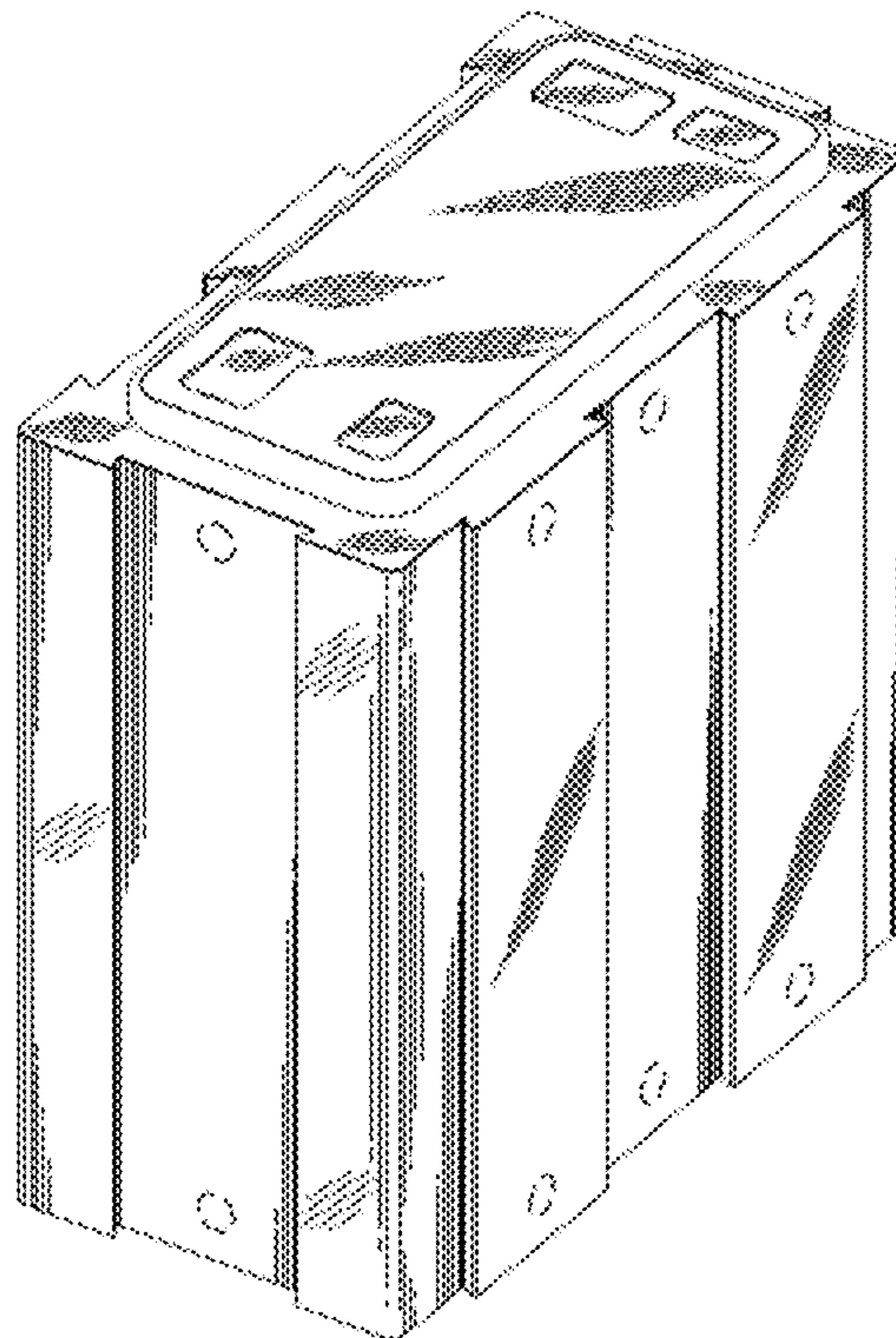
(57) **CLAIM**

The ornamental design for a modular architectural cistern, as shown.

DESCRIPTION

FIG. 1 is a perspective view of a modular architectural cistern showing my new design;
FIG. 2 is a top side view thereof;
FIG. 3 is a left side view thereof;
FIG. 4 is a front view thereof
FIG. 5 is a right side view thereof;
FIG. 6 is a back view thereof; and,
FIG. 7 is another perspective view thereof.
The broken lines illustrate portions of the modular architectural cistern that do not form a part of the claimed design.

1 Claim, 7 Drawing Sheets



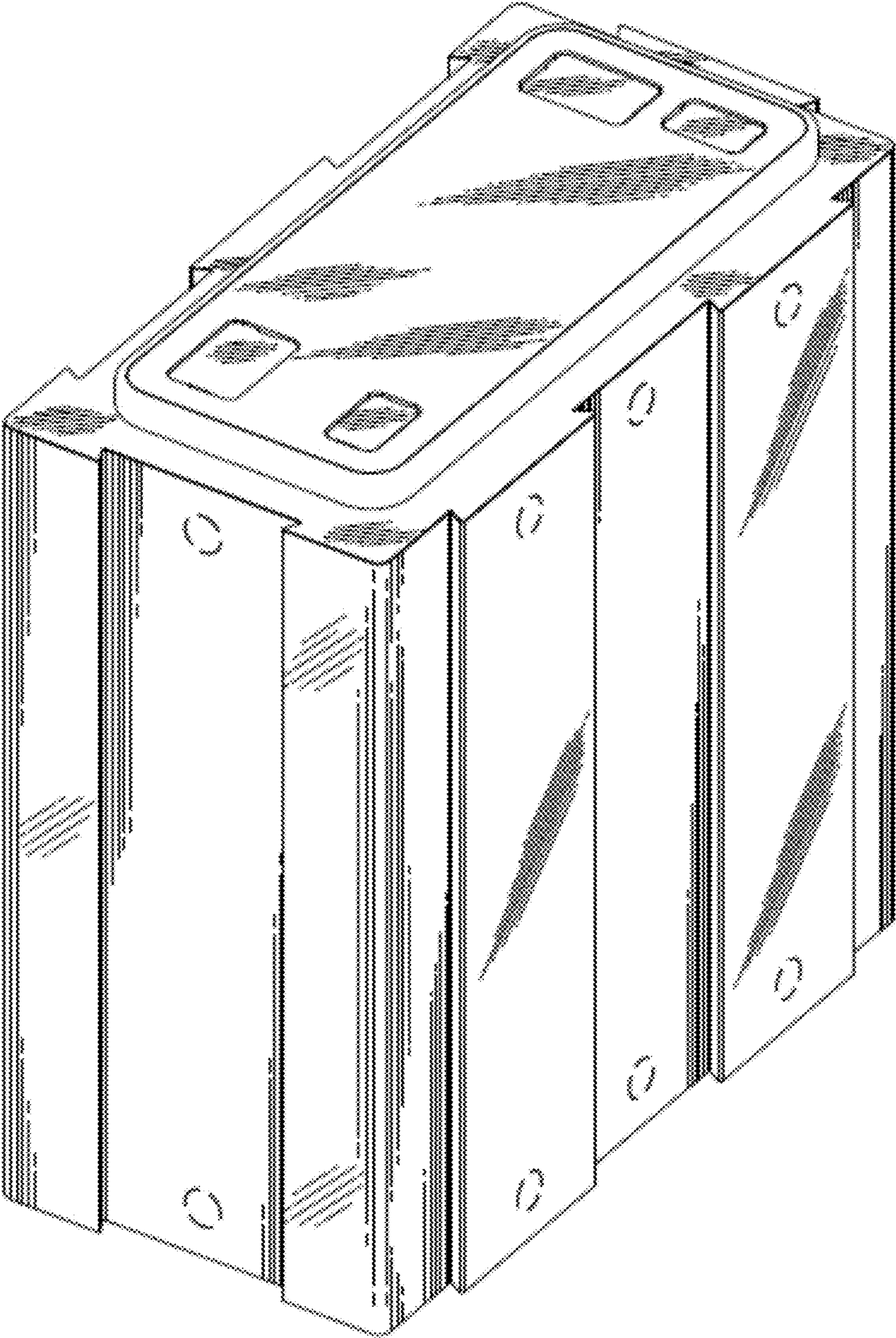


FIG. 1

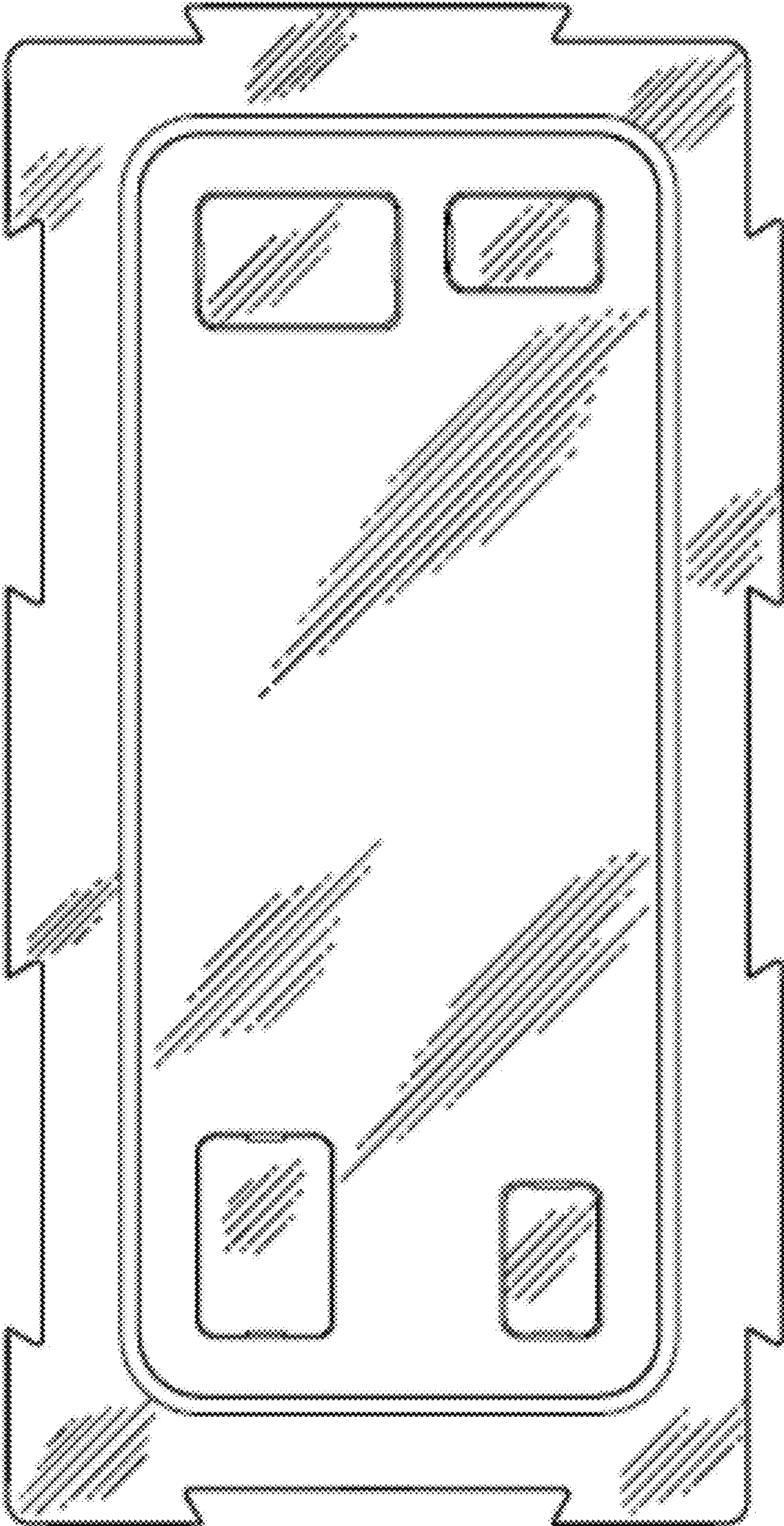


FIG. 2

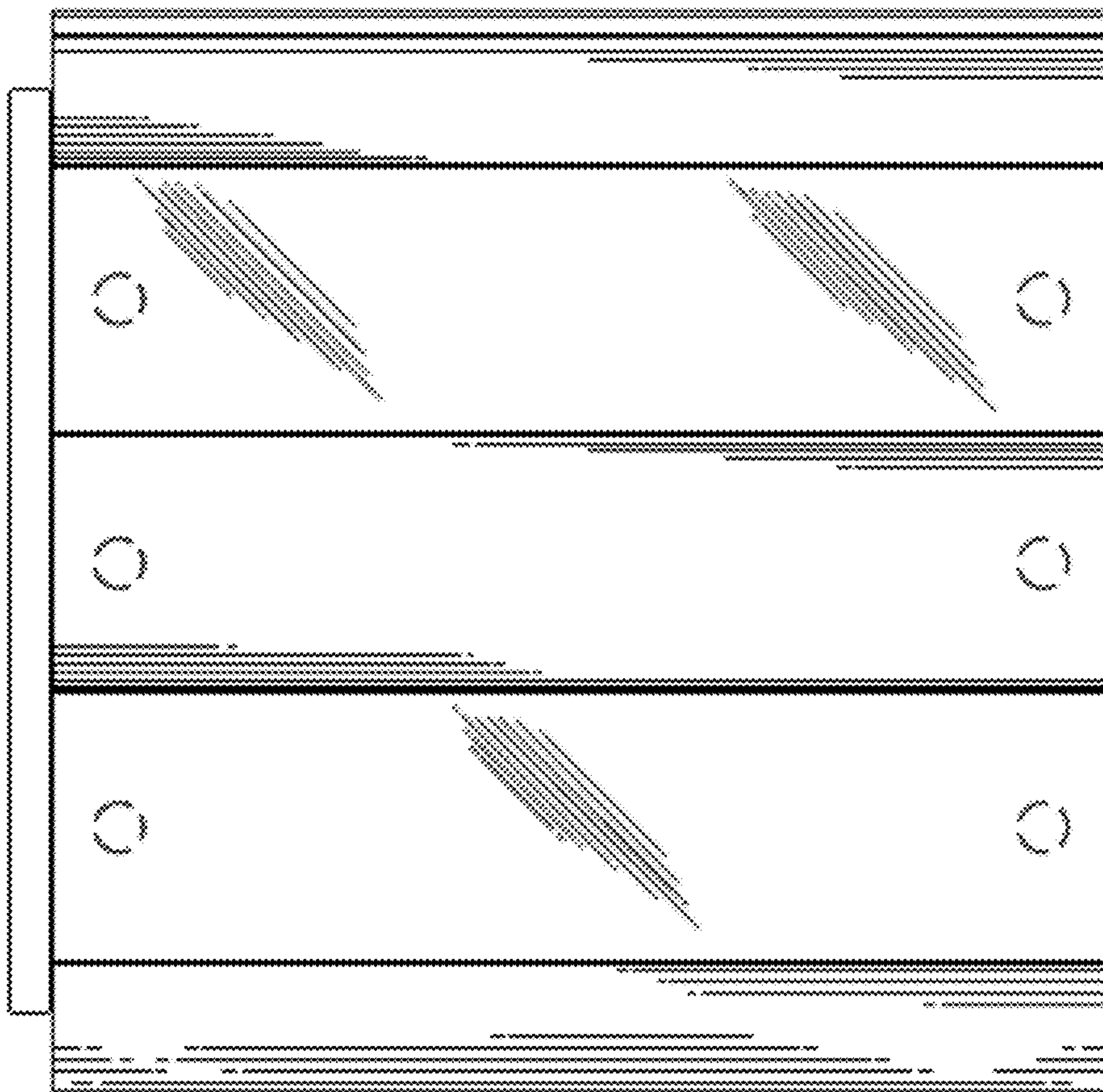


FIG. 3

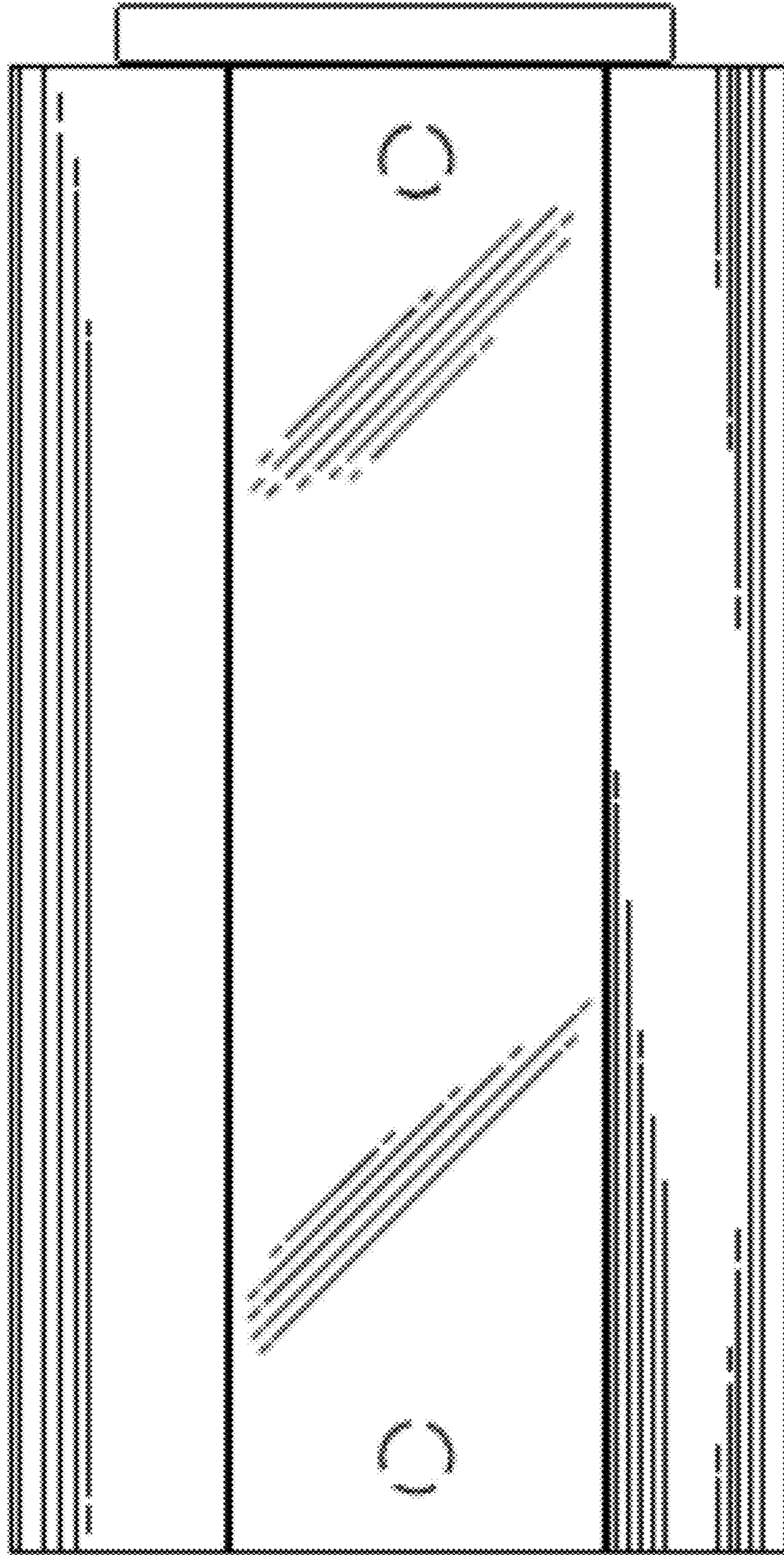


FIG. 4

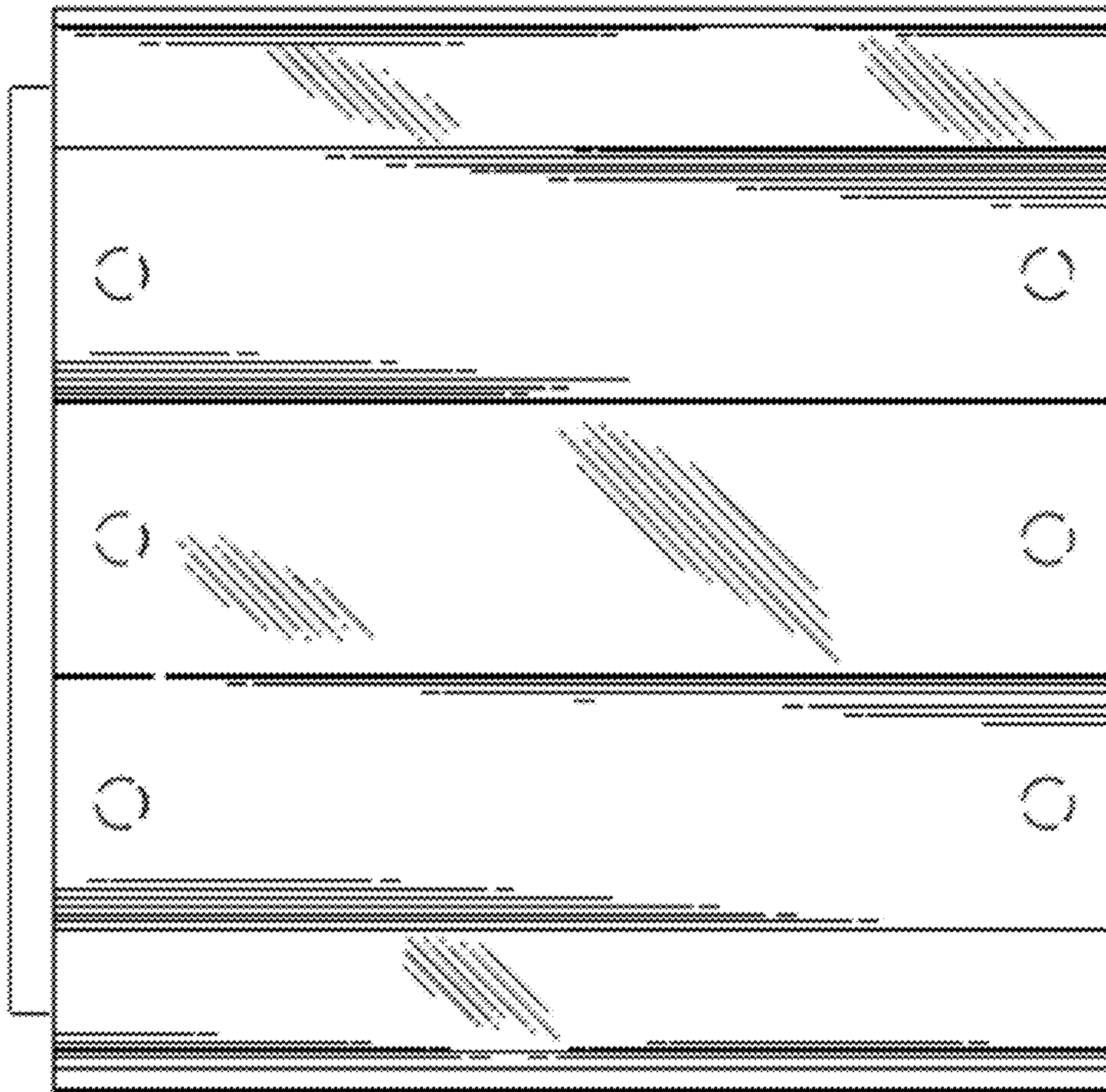


FIG. 5

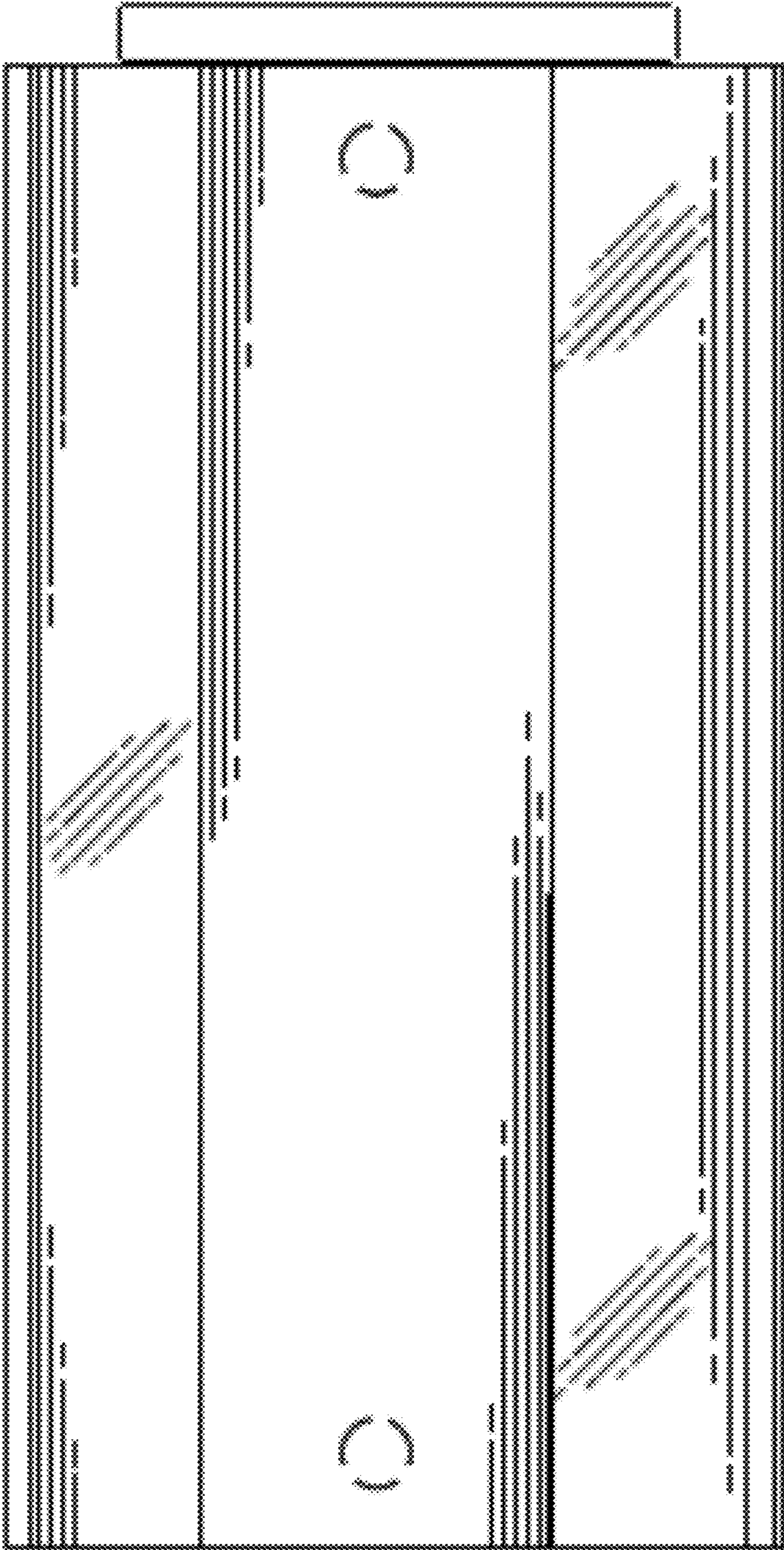


FIG. 6

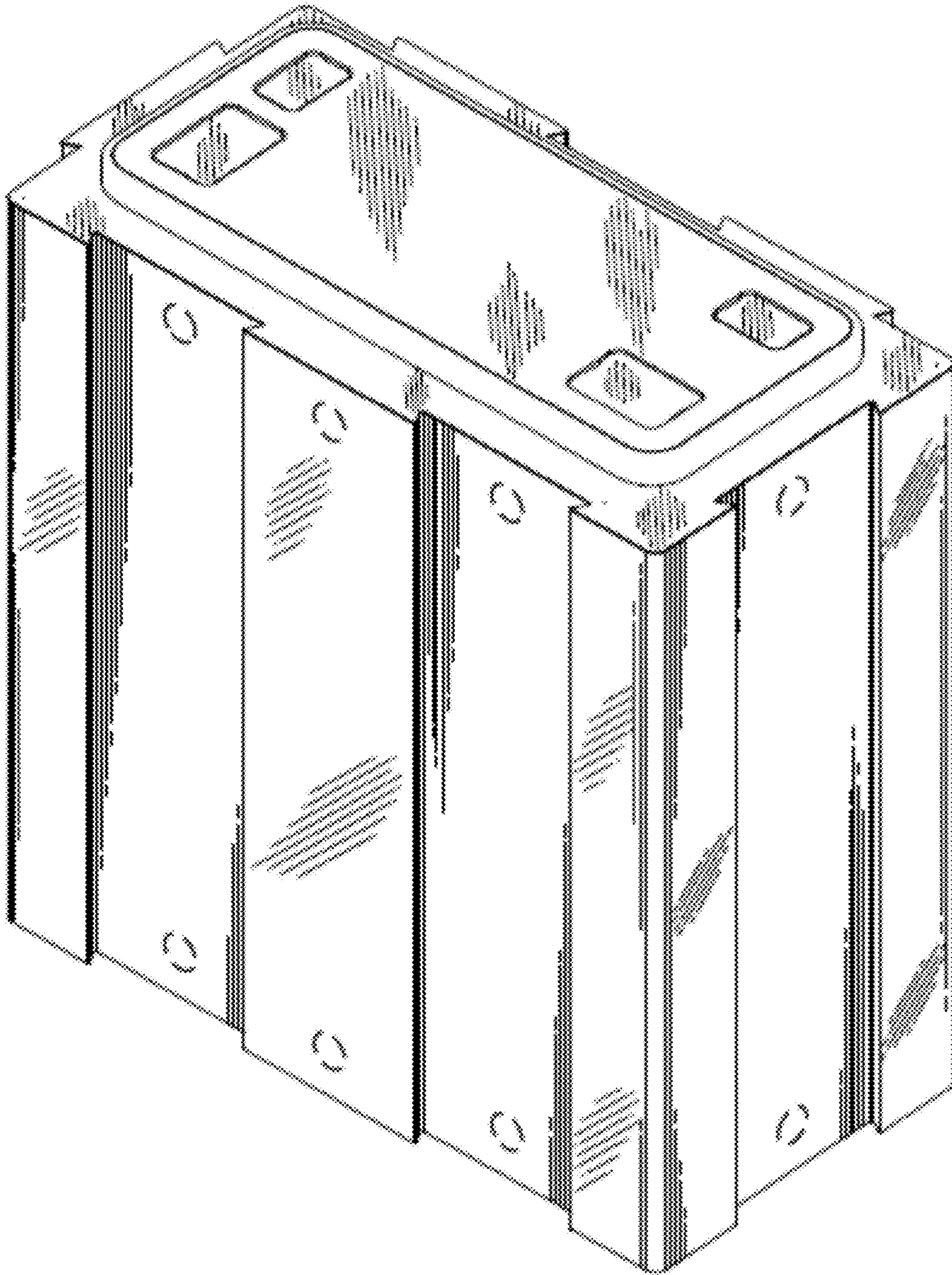


FIG. 7