

US00D766396S

(12) **United States Design Patent**  
**Scull**

(10) **Patent No.:** **US D766,396 S**

(45) **Date of Patent:** **\*\* Sep. 13, 2016**

(54) **AUTOMATIC PISTOL RECOIL SIMULATOR**

(71) Applicant: **Charles H. Scull**, Sacramento, CA (US)

(72) Inventor: **Charles H. Scull**, Sacramento, CA (US)

(\*\*) Term: **15 Years**

(21) Appl. No.: **29/566,381**

(22) Filed: **May 28, 2016**

(51) **LOC (10) Cl.** ..... **22-01**

(52) **U.S. Cl.**  
USPC ..... **D22/108**

(58) **Field of Classification Search**  
USPC ..... D22/108  
CPC ..... F41A 33/00  
See application file for complete search history.

(56) **References Cited**

U.S. PATENT DOCUMENTS

2,708,319	A *	5/1955	Tratsch	.....	F41A 33/06	434/18
4,804,325	A *	2/1989	Willits	.....	F41G 3/2661	434/19
8,602,784	B2 *	12/2013	Dvorak	.....	F41A 33/02	434/11
8,690,575	B1 *	4/2014	Gurule	.....	F41A 33/06	434/11

D711,493	S *	8/2014	Scull	.....	D22/108	
2011/0111374	A1 *	5/2011	Charles	.....	F41A 33/02	434/19
2016/0138884	A1 *	5/2016	Lowrance	.....	F41A 33/02	434/16

\* cited by examiner

*Primary Examiner* — Michael A Pratt

(74) *Attorney, Agent, or Firm* — Catherine Ashley Straight

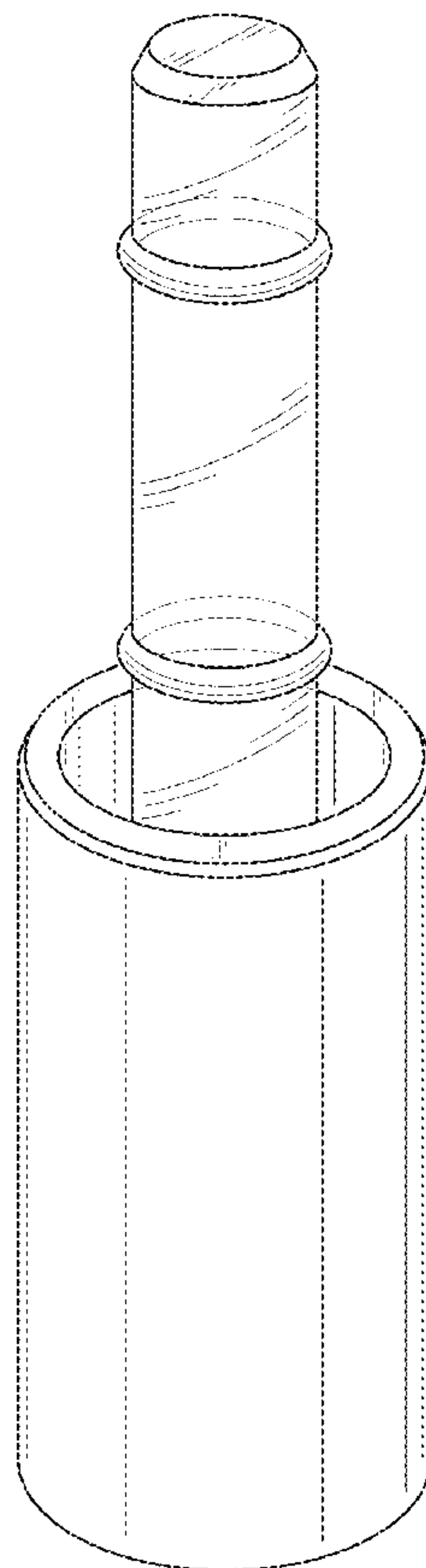
(57) **CLAIM**

The ornamental design for an automatic pistol recoil simulator, as shown and described.

**DESCRIPTION**

FIG. 1 is a perspective view of an automatic pistol recoil simulator according to my novel design; FIG. 2 is a front elevation view, thereof; FIG. 3 is a right side elevation view, thereof; FIG. 4 is a rear elevation view, thereof; FIG. 5 is a left side elevation view, thereof; FIG. 6 is an end view, thereof; and, FIG. 7 is an opposing end view, thereof. The larger cylindrical portion of the automatic pistol recoil simulator is translucent, and the smaller cylindrical portion is transparent.

**1 Claim, 4 Drawing Sheets**



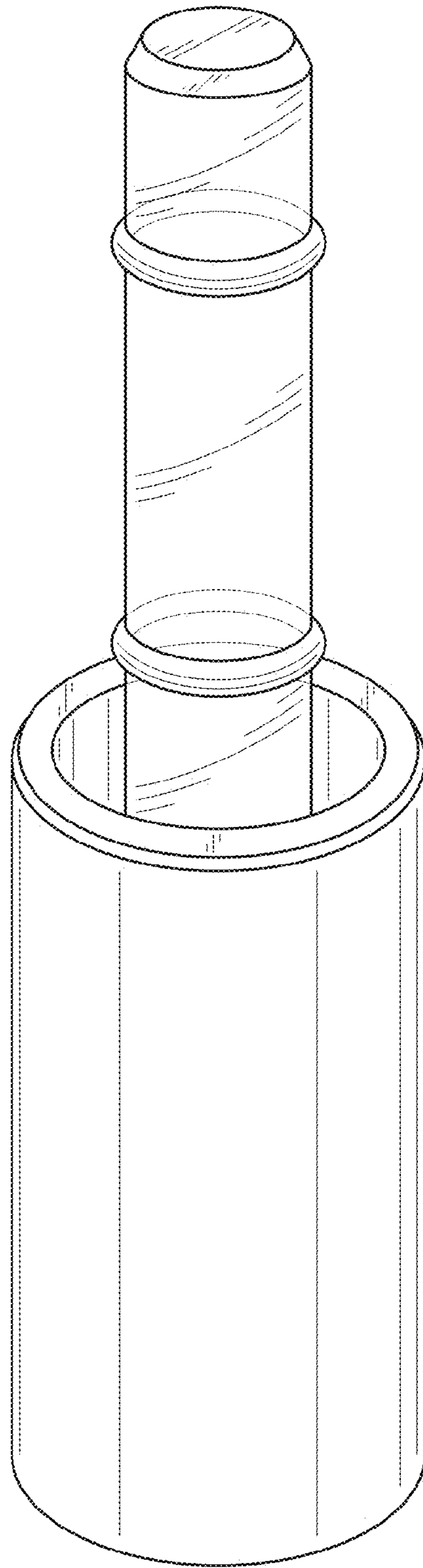


FIG. 1

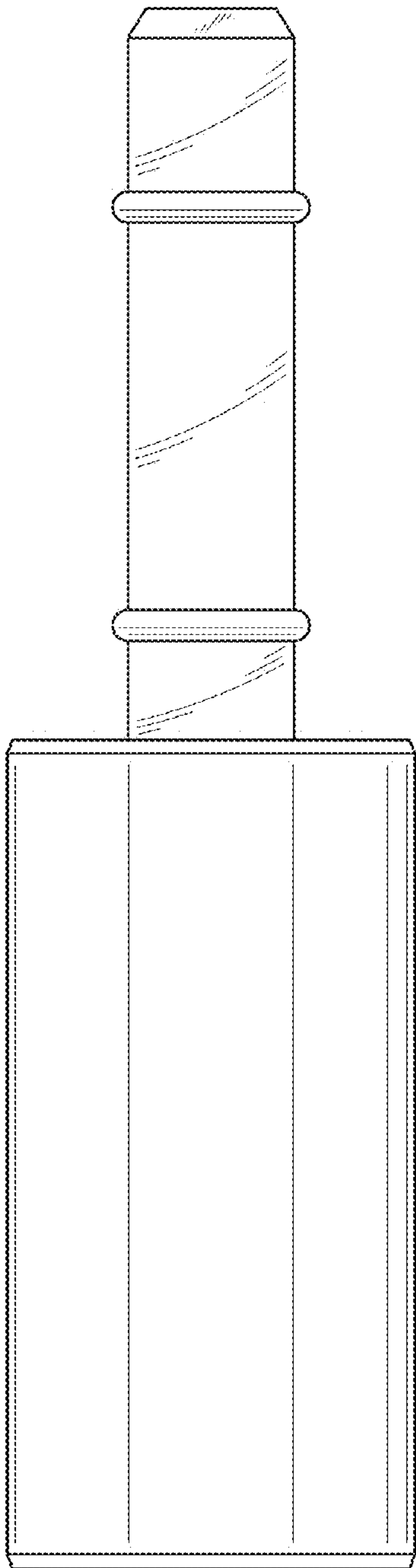


FIG. 2

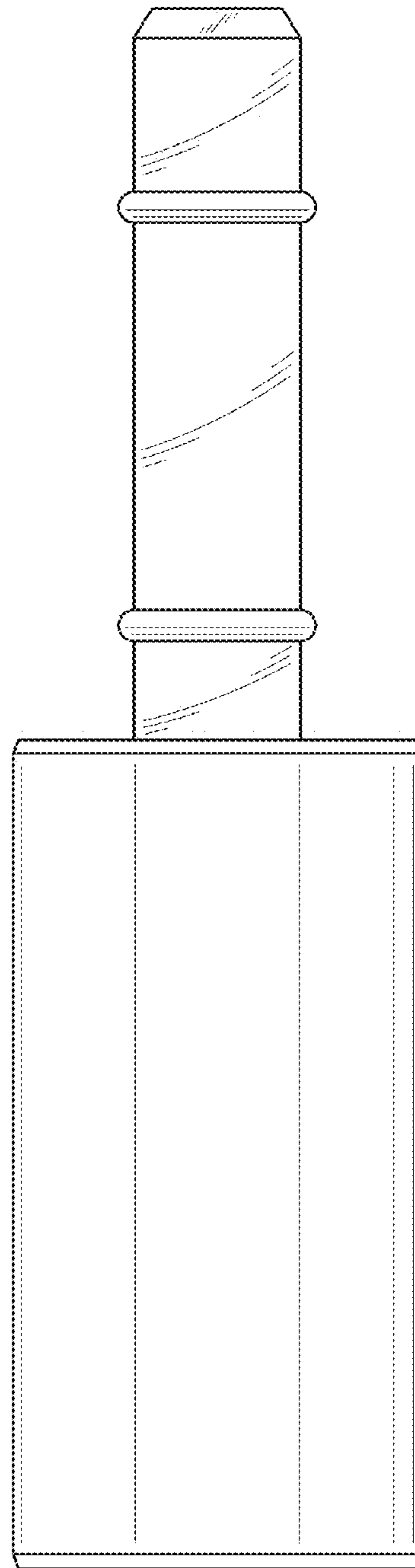


FIG. 3

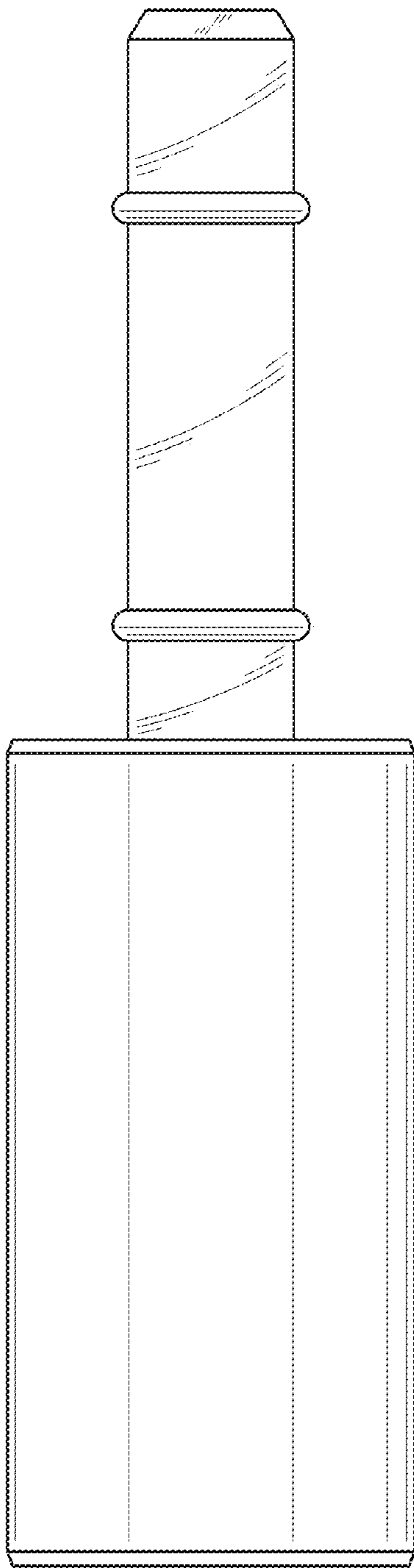


FIG. 4

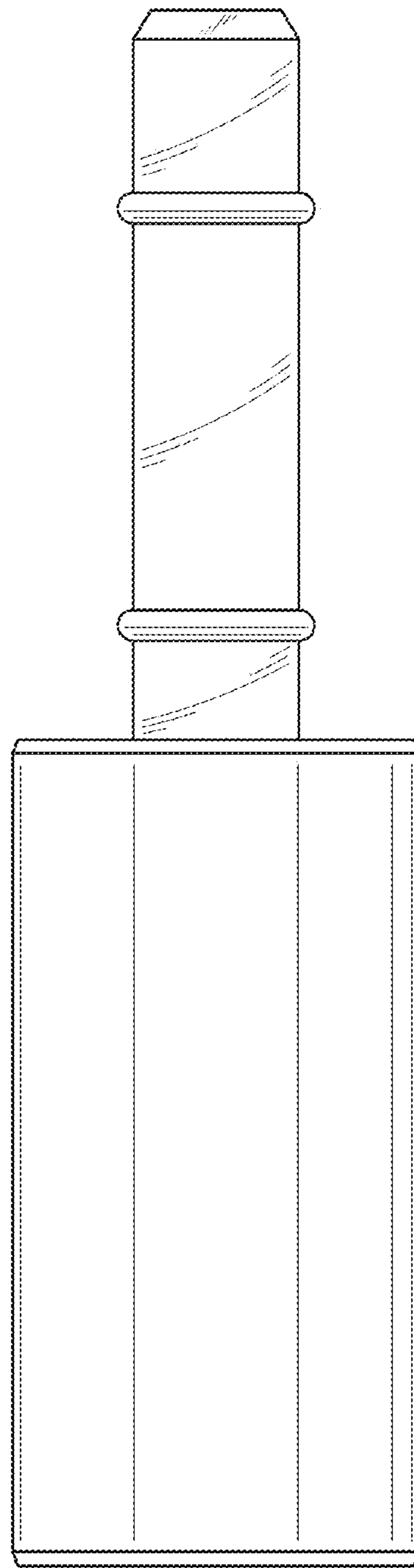


FIG. 5

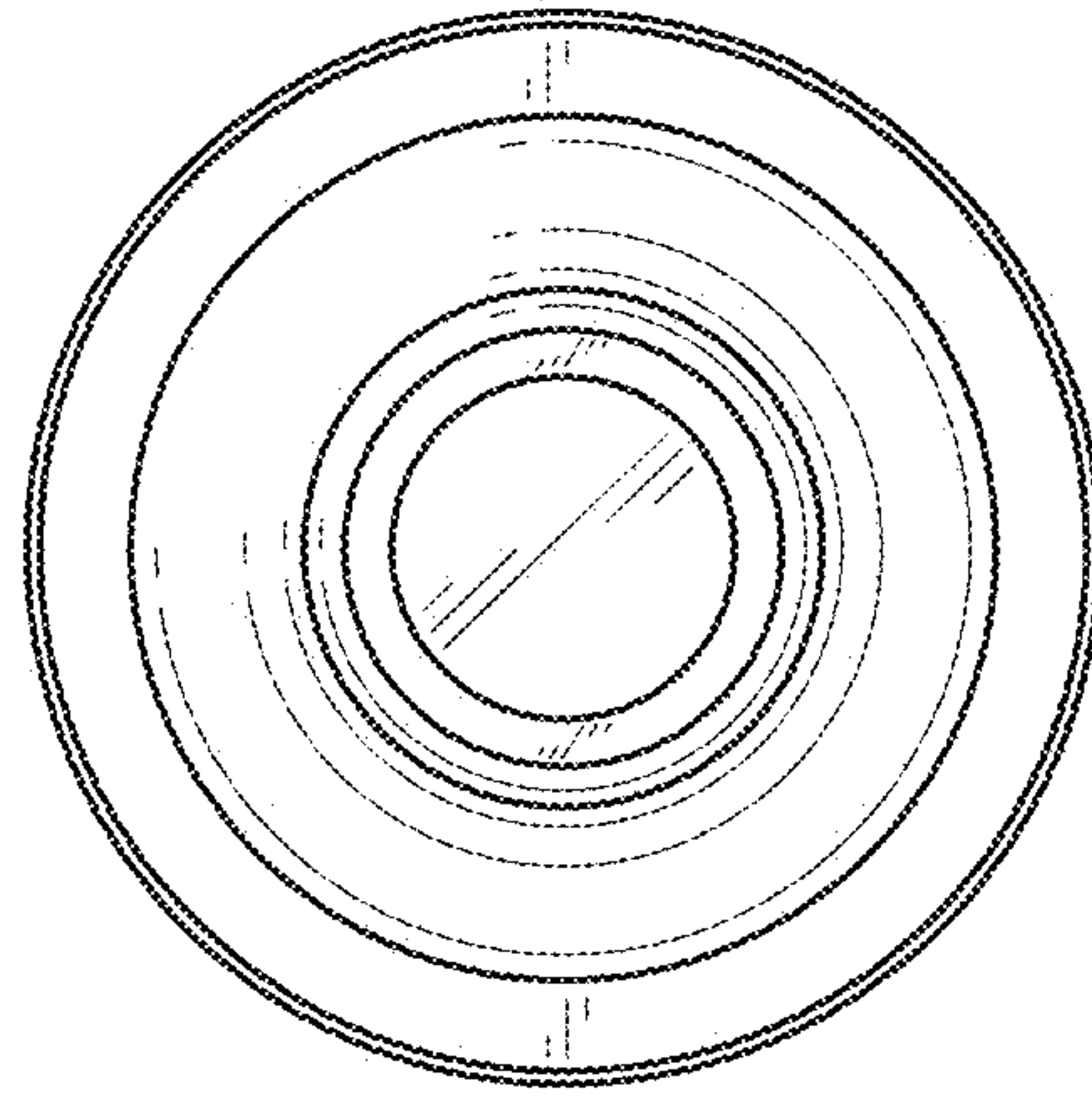


FIG. 6

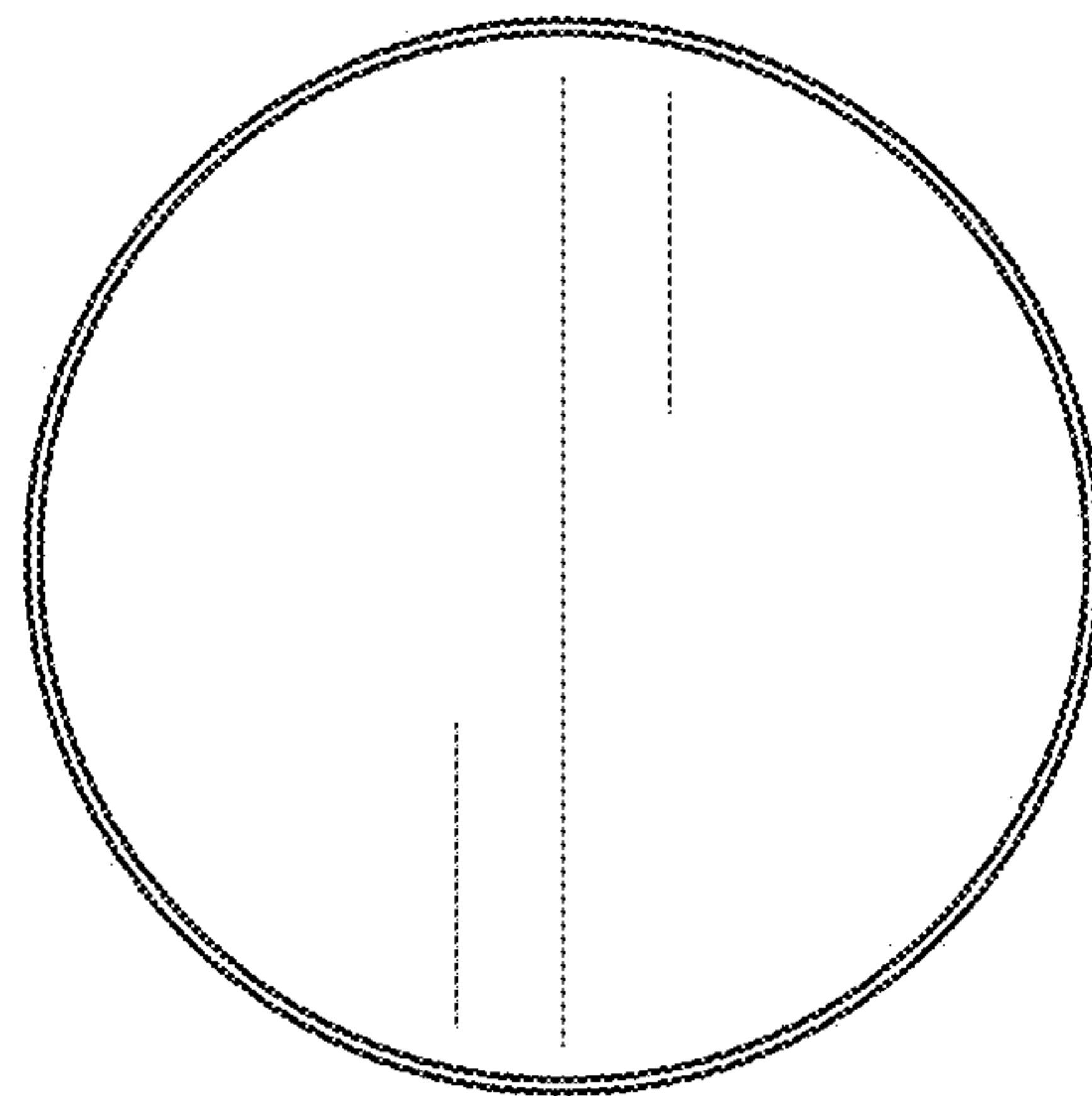


FIG. 7