



US00D766395S

(12) **United States Design Patent**
McPherson

(10) **Patent No.:** **US D766,395 S**
(45) **Date of Patent:** **** Sep. 13, 2016**

(54) **COMPOUND BOW CAM**
(71) Applicant: **MCP IP, LLC**, Sparta, WI (US)
(72) Inventor: **Mathew A. McPherson**, Norwalk, WI (US)
(73) Assignee: **MCP IP, LLC**, Sparta, WI (US)
(**) Term: **14 Years**
(21) Appl. No.: **29/515,807**
(22) Filed: **Jan. 27, 2015**
(51) **LOC (10) Cl.** **22-01**
(52) **U.S. Cl.**
USPC **D22/107**
(58) **Field of Classification Search**
USPC D22/107; D21/571-575
CPC F41B 5/10; F41B 5/1403; F41B 5/105;
F41B 5/14; F41B 5/123
See application file for complete search history.

5,381,777 A 1/1995 Mitchell et al.
5,505,185 A 4/1996 Miller
5,649,522 A * 7/1997 Troncoso F41B 5/105
124/25.6
5,678,529 A 10/1997 Larson
5,782,229 A 7/1998 Evans et al.
5,791,323 A 8/1998 Dunlap
5,890,480 A 4/1999 McPherson
5,934,265 A 8/1999 Darlington
5,960,778 A 10/1999 Larson
6,035,840 A 3/2000 McPherson
6,082,347 A 7/2000 Darlington
6,112,732 A 9/2000 Larson
6,247,466 B1 6/2001 McPherson
6,250,293 B1 * 6/2001 Andrews F41B 5/10
124/25.6
6,321,736 B1 11/2001 McPherson
6,443,139 B1 9/2002 McPherson
6,516,790 B1 2/2003 Darlington
6,575,153 B2 * 6/2003 Lommasson F41B 5/10
124/25.6
6,666,202 B1 12/2003 Darlington
(Continued)

Primary Examiner — Michael A Pratt

(57) **CLAIM**
The ornamental design for a compound bow cam, as shown and described.

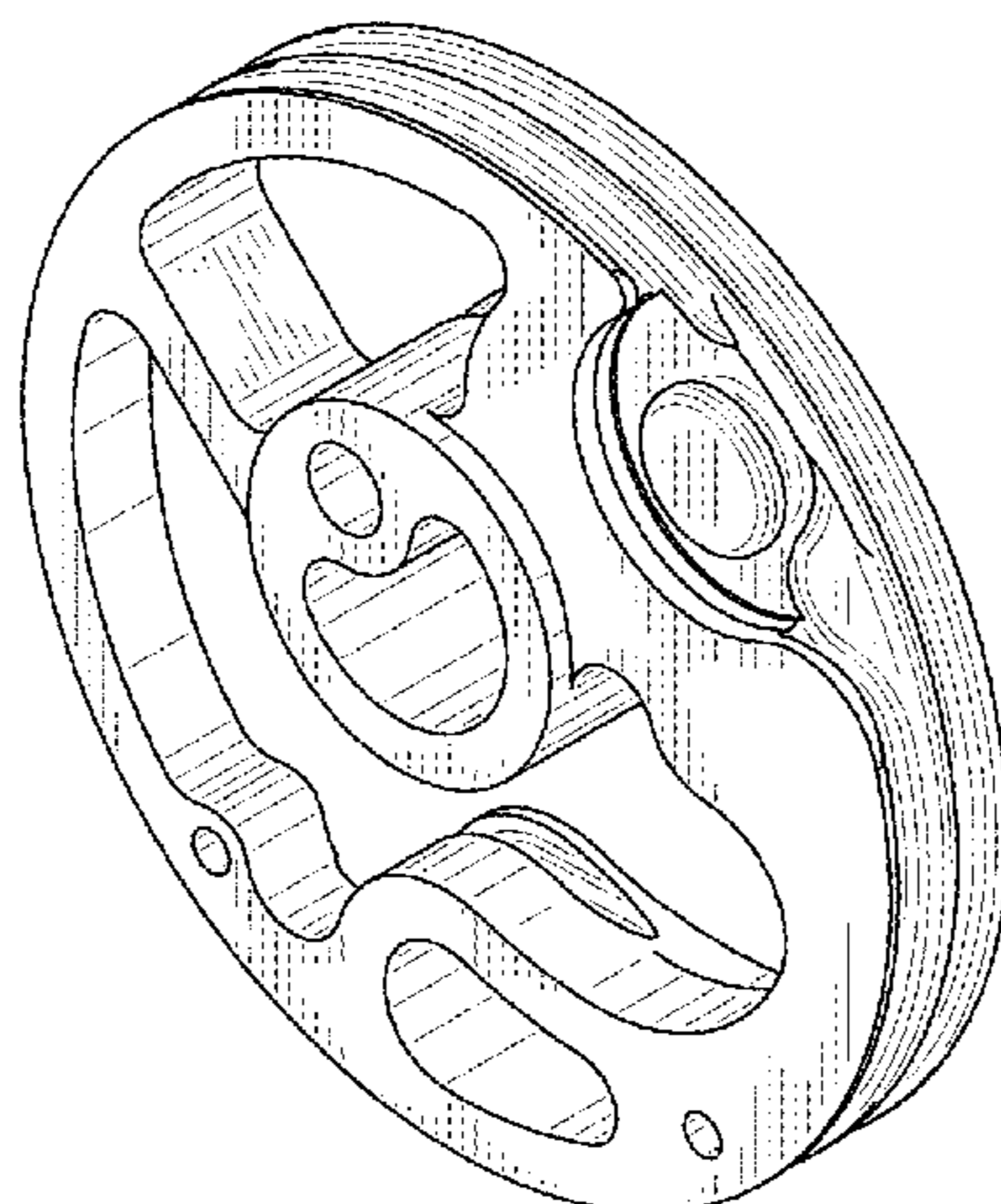
(56) **References Cited**
U.S. PATENT DOCUMENTS

3,486,495 A 12/1969 Allen
3,990,425 A 11/1976 Ketchum
4,337,749 A 7/1982 Barna
4,338,910 A 7/1982 Darlington
4,440,142 A 4/1984 Simonds
4,461,267 A 7/1984 Simonds et al.
4,515,142 A 5/1985 Nurney
4,519,374 A 5/1985 Miller
4,561,413 A 12/1985 Jennings
4,660,536 A 4/1987 McPherson
4,774,927 A 10/1988 Larson
4,926,833 A 5/1990 Darlington
4,967,721 A 11/1990 Larson
5,211,155 A 5/1993 Zamojski
5,368,006 A 11/1994 McPherson

DESCRIPTION

FIG. 1 is an angled isometric top view of the compound bow cam.
FIG. 2 is an angled isometric bottom view of the compound bow cam.
FIG. 3 is a top view of the compound bow cam.
FIG. 4 is a bottom view of the compound bow cam.
FIG. 5 is a front view of the compound bow cam.
FIG. 6 is a back view of the compound bow cam.
FIG. 7 is a right side view of the compound bow cam; and,
FIG. 8 is a left side view of the compound bow cam.

1 Claim, 4 Drawing Sheets



(56)

References Cited

U.S. PATENT DOCUMENTS

6,688,295 B1	2/2004	Miller		7,946,281 B2	5/2011	Miller	
6,691,692 B1 *	2/2004	Adkins	F41B 5/10	8,020,544 B2	9/2011	McPherson et al.	
			124/25.6	8,220,446 B2 *	7/2012	Batdorf	F41B 5/10
							124/25.6
6,792,930 B1	9/2004	Kronengold et al.		2008/0135032 A1	6/2008	Islas	
D510,974 S *	10/2005	Gallops, Jr.	D22/107	2009/0000607 A1	1/2009	Miller	
6,990,970 B1	1/2006	Darlington		2010/0269808 A1 *	10/2010	Evans	F41B 5/10
6,994,079 B1	2/2006	Darlington					124/25.6
7,047,958 B1	5/2006	Colley		2012/0000452 A1 *	1/2012	McPherson	F41B 5/10
7,082,937 B1 *	8/2006	Land	F41B 5/105				124/25.6
			124/25.6	2014/0283808 A1 *	9/2014	McPherson	F41B 5/10
							124/25.6
7,188,615 B2	3/2007	Chang		2015/0345889 A1 *	12/2015	McPherson	F41B 5/105
7,305,979 B1	12/2007	Yehle					124/25.6
7,441,555 B1	10/2008	Larson		2016/0076849 A1 *	3/2016	Gold	F41B 5/1403
							124/23.1

* cited by examiner

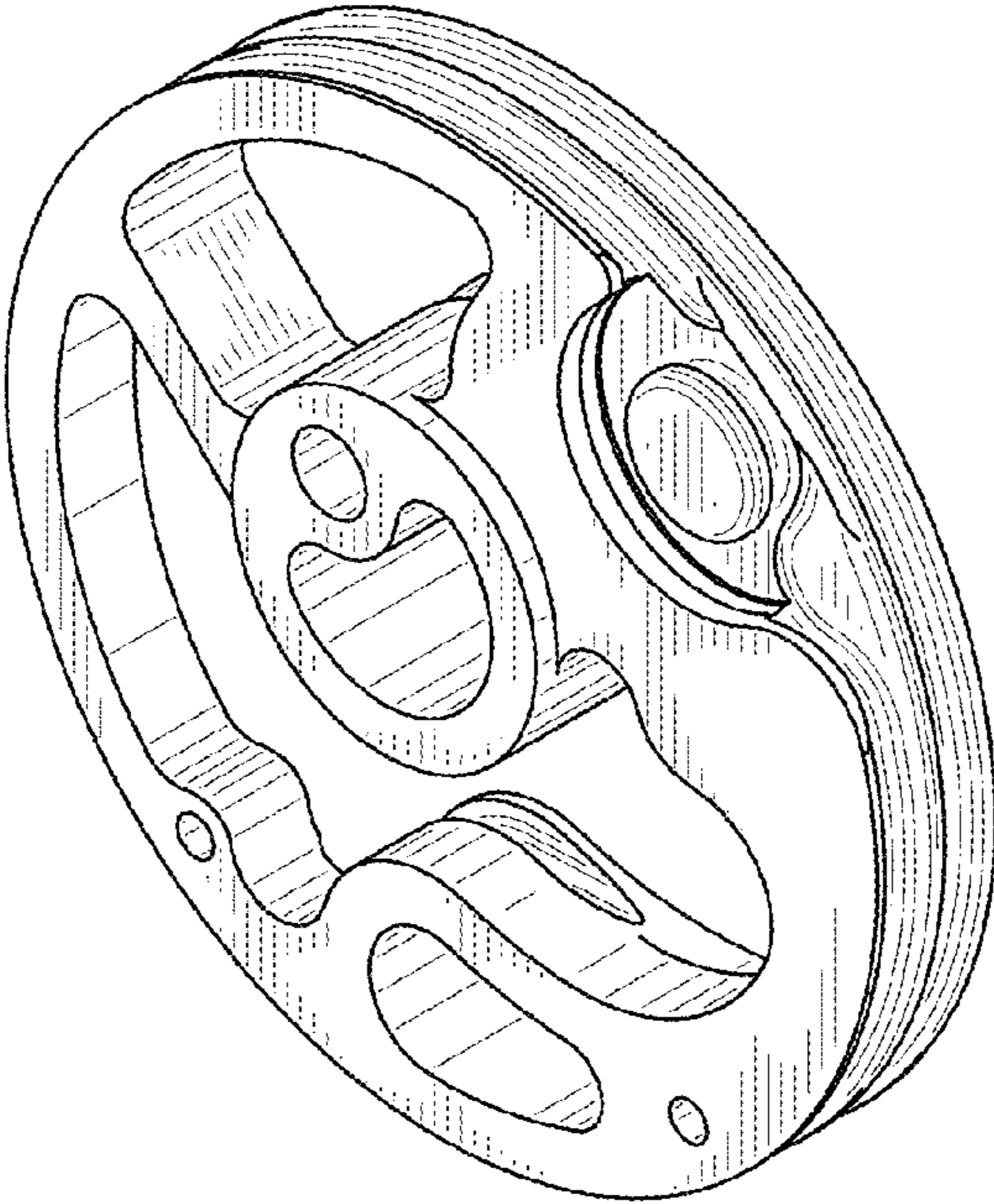


FIG. 1

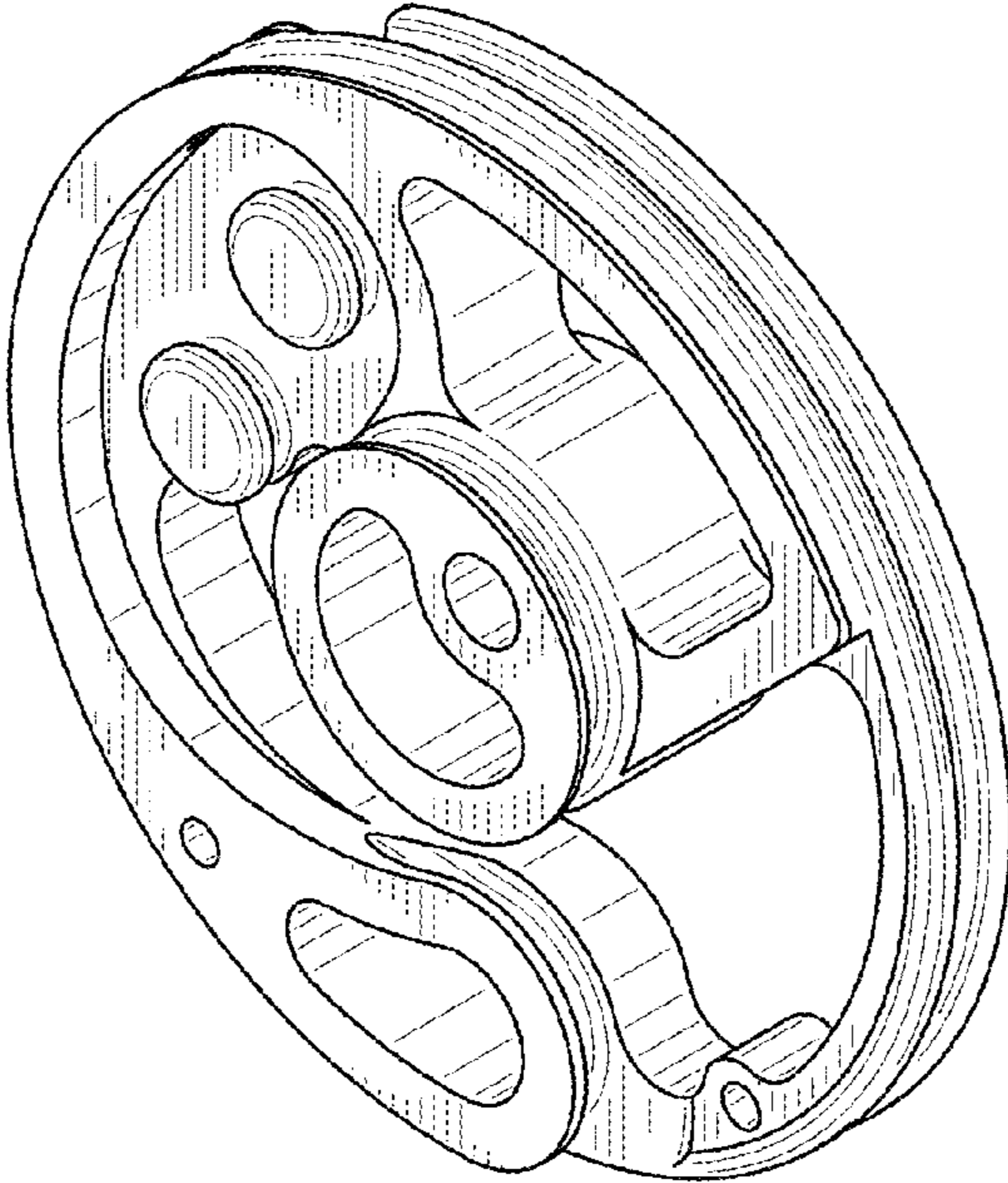


FIG. 2

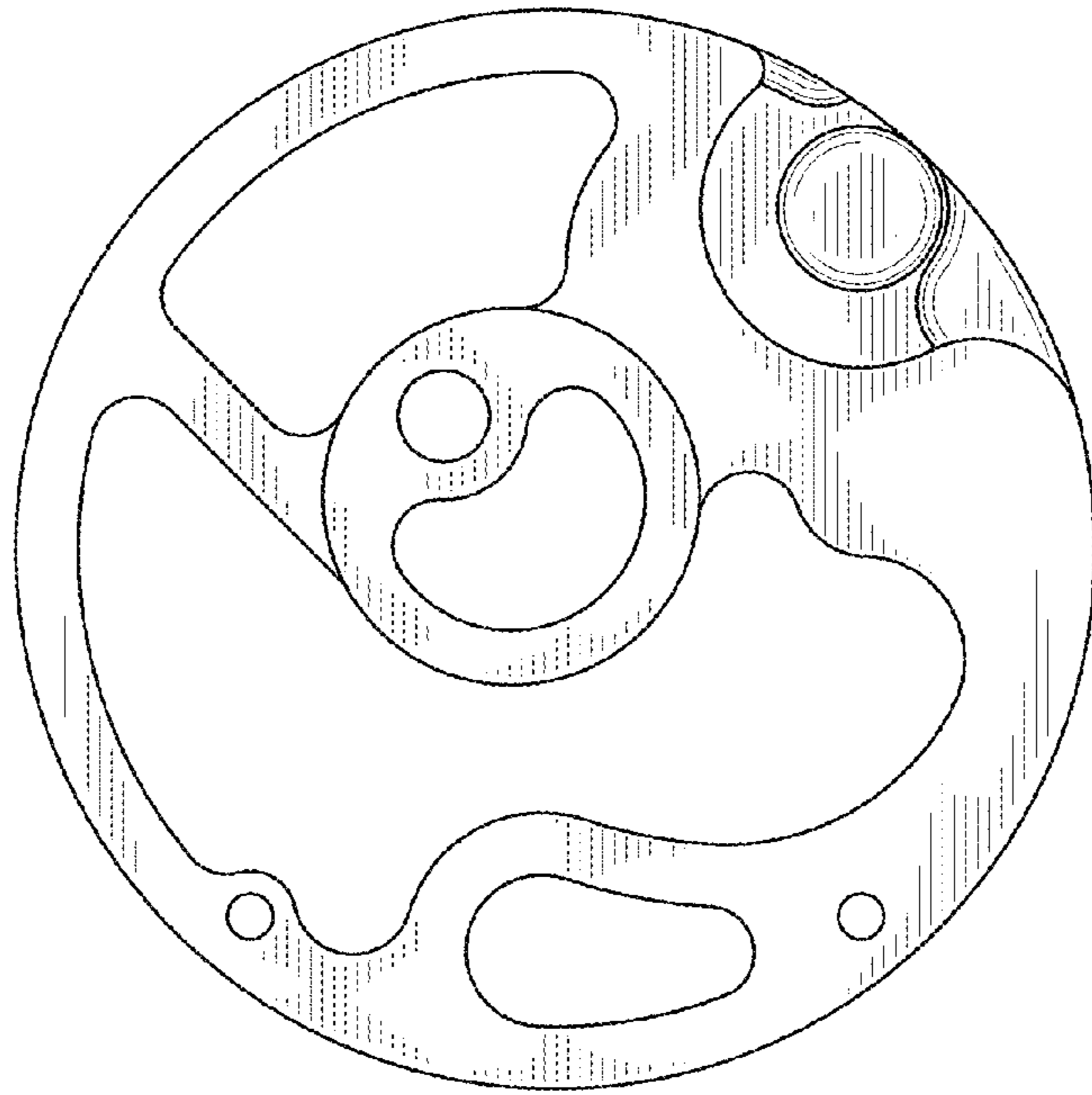


FIG. 3

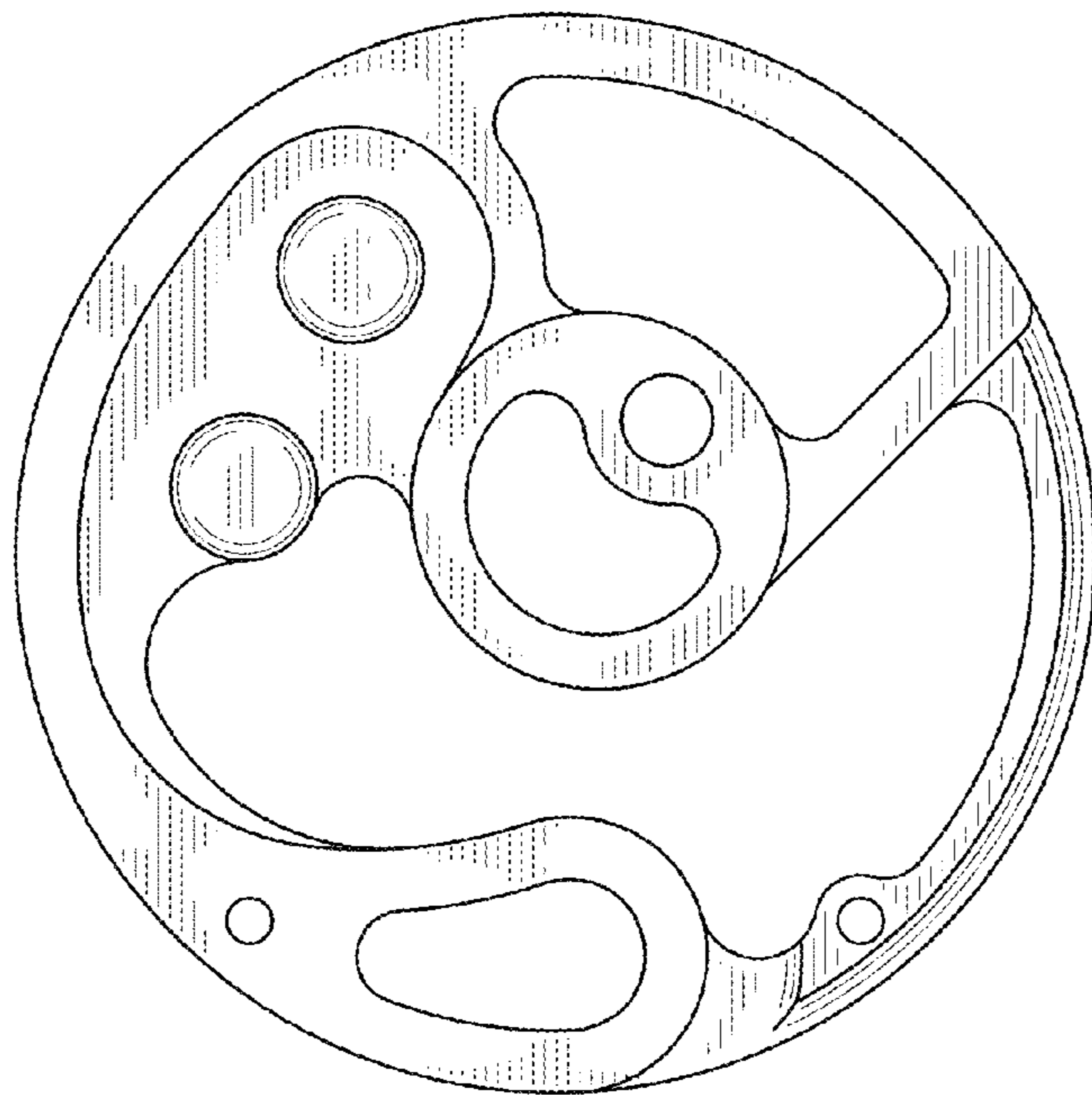


FIG. 4

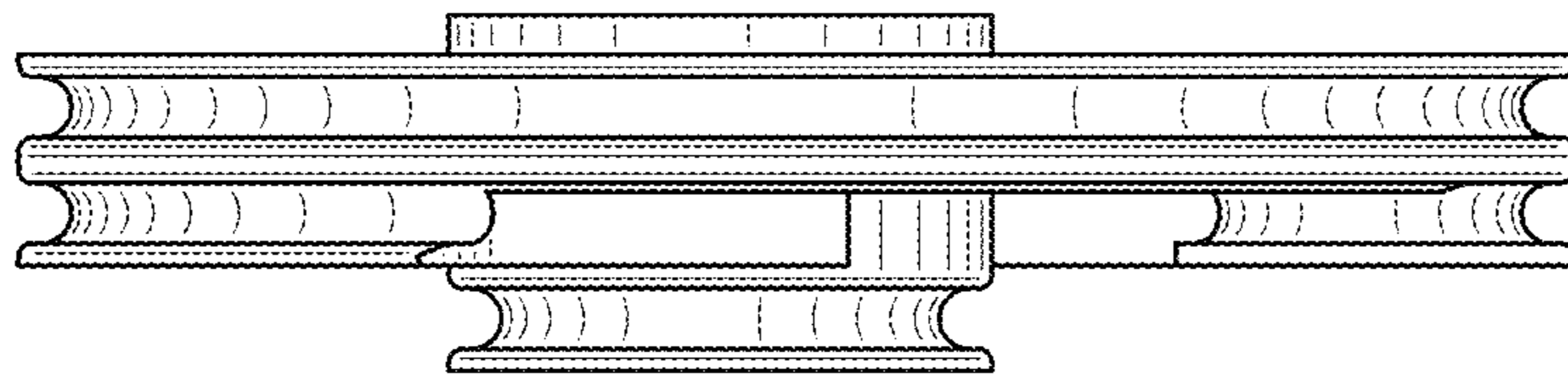


FIG. 5

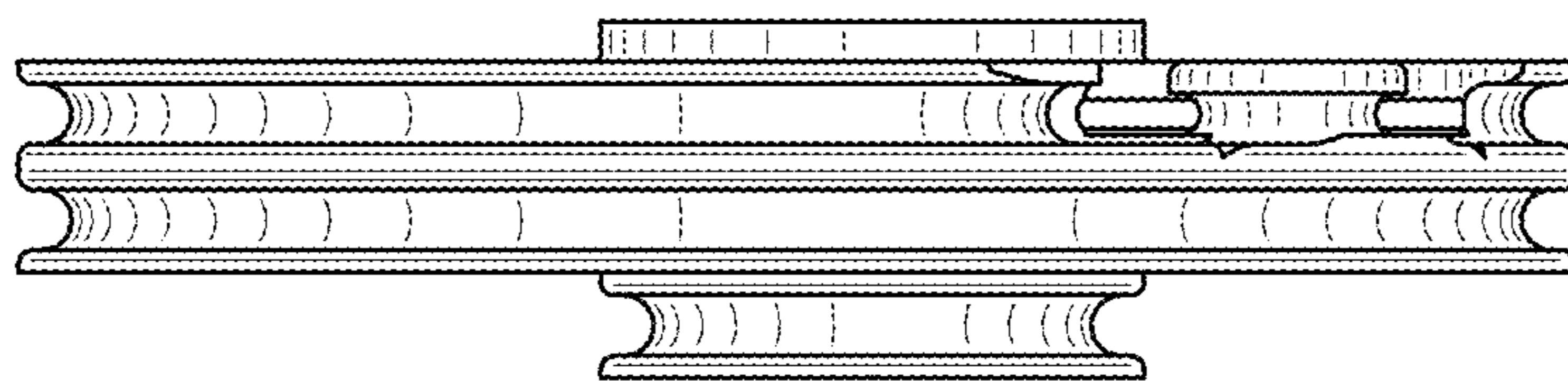


FIG. 6

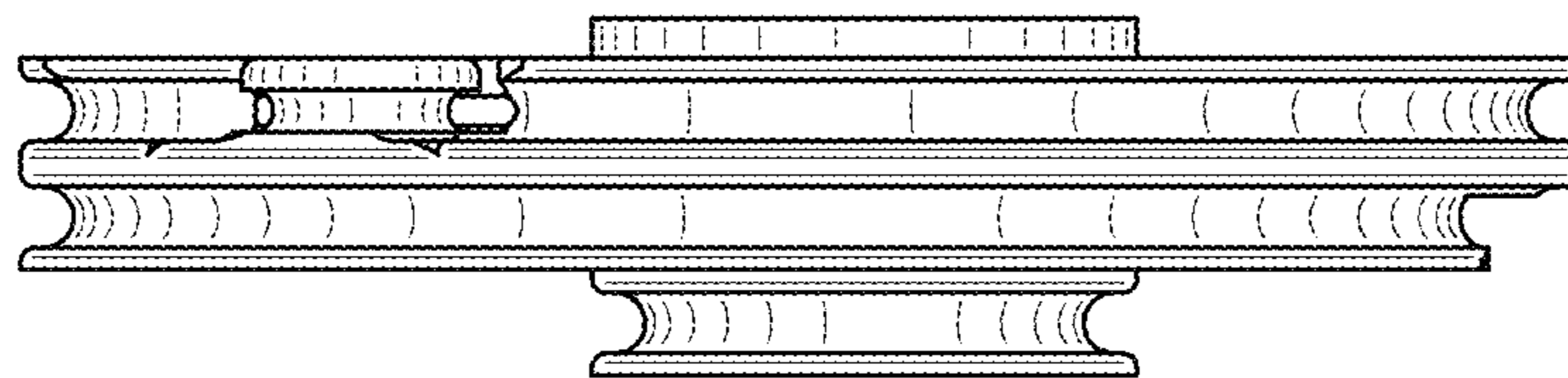


FIG. 7

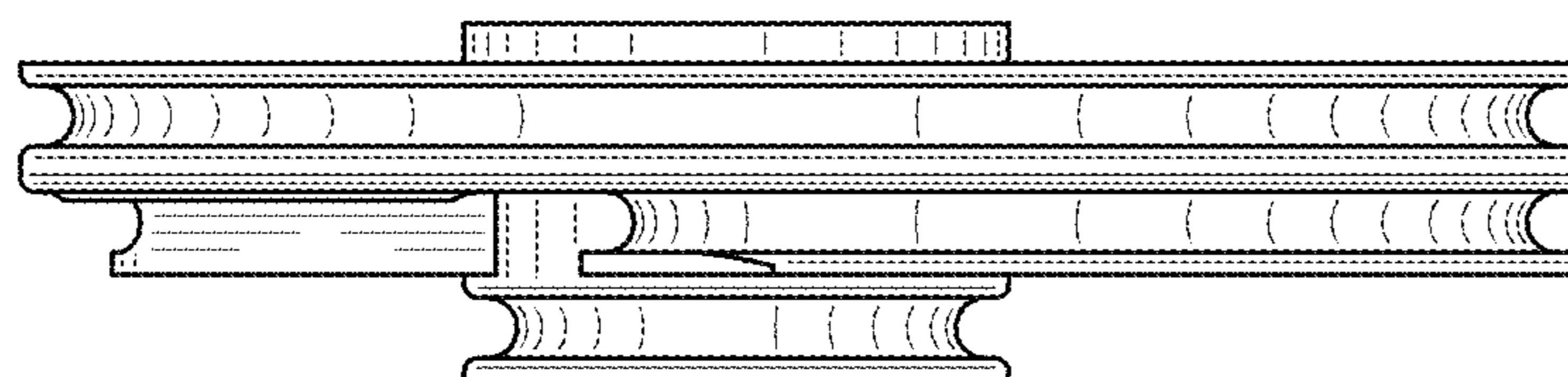


FIG. 8