



US00D766390S

(12) **United States Design Patent**
Timmons et al.

(10) **Patent No.:** **US D766,390 S**

(45) **Date of Patent:** **** *Sep. 13, 2016**

(54) **GOLF CLUB HEAD**

(71) Applicant: **DUNLOP SPORTS CO., LTD.**,
Kobe-shi (JP)

(72) Inventors: **Alex Timmons**, Huntington Beach, CA
(US); **Pat Ripp**, Seal Beach, CA (US);
Christopher R. Cooper, Orange, CA
(US)

(73) Assignee: **DUNLOP SPORTS CO., LTD.**,
Kobe-Shi (JP)

(*) Notice: This patent is subject to a terminal dis-
claimer.

(**) Term: **14 Years**

(21) Appl. No.: **29/493,689**

(22) Filed: **Jun. 12, 2014**

(51) **LOC (10) Cl.** **21-02**

(52) **U.S. Cl.**
USPC **D21/759**

(58) **Field of Classification Search**
USPC D21/747-751, 759
CPC A63B 53/00; A63B 53/04; A63B 53/047;
A63B 53/0475
See application file for complete search history.

(56) **References Cited**

U.S. PATENT DOCUMENTS

D256,148 S * 7/1980 Jeghers D21/750
D345,775 S * 4/1994 Poincenot et al. D21/750

D346,840 S * 5/1994 Fenton D21/751
D395,476 S * 6/1998 Pond et al. D21/747
D399,276 S * 10/1998 Hettinger et al. D21/747
D449,866 S * 10/2001 Miller D21/747
D457,211 S * 5/2002 Bakke D21/747
D476,048 S * 6/2003 Cleveland et al. D21/747
D476,707 S * 7/2003 Walker D21/747
D491,241 S * 6/2004 Long D21/747
D676,908 S * 2/2013 Aoki et al. D21/747
D703,282 S * 4/2014 Breier et al. D21/747
D704,288 S * 5/2014 Cardani et al. D21/747

* cited by examiner

Primary Examiner — Mitchell Siegel

(74) *Attorney, Agent, or Firm* — Oliff PLC

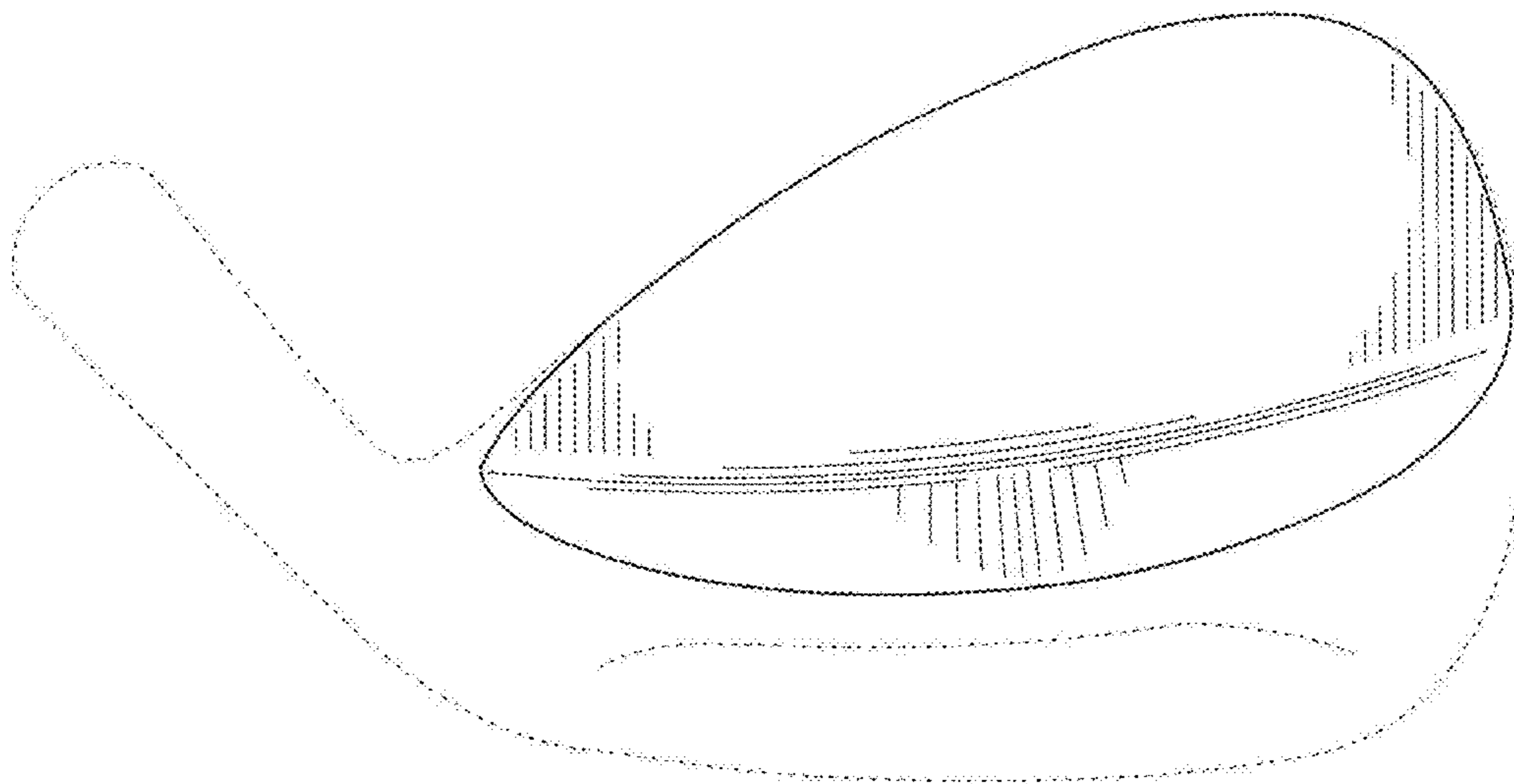
(57) **CLAIM**

The ornamental design for golf club head, as shown and
described.

DESCRIPTION

FIG. 1 is a rear perspective view embodying the inventive
design;
FIG. 2 is front elevational view thereof;
FIG. 3 is a rear elevational view thereof;
FIG. 4 is a right-side elevational view thereof;
FIG. 5 is a left-side elevational view thereof;
FIG. 6 is top plan view thereof; and,
FIG. 7 is a bottom plan view thereof.
The broken lines illustrate environmental structure that form
no part of the claimed design.

1 Claim, 7 Drawing Sheets



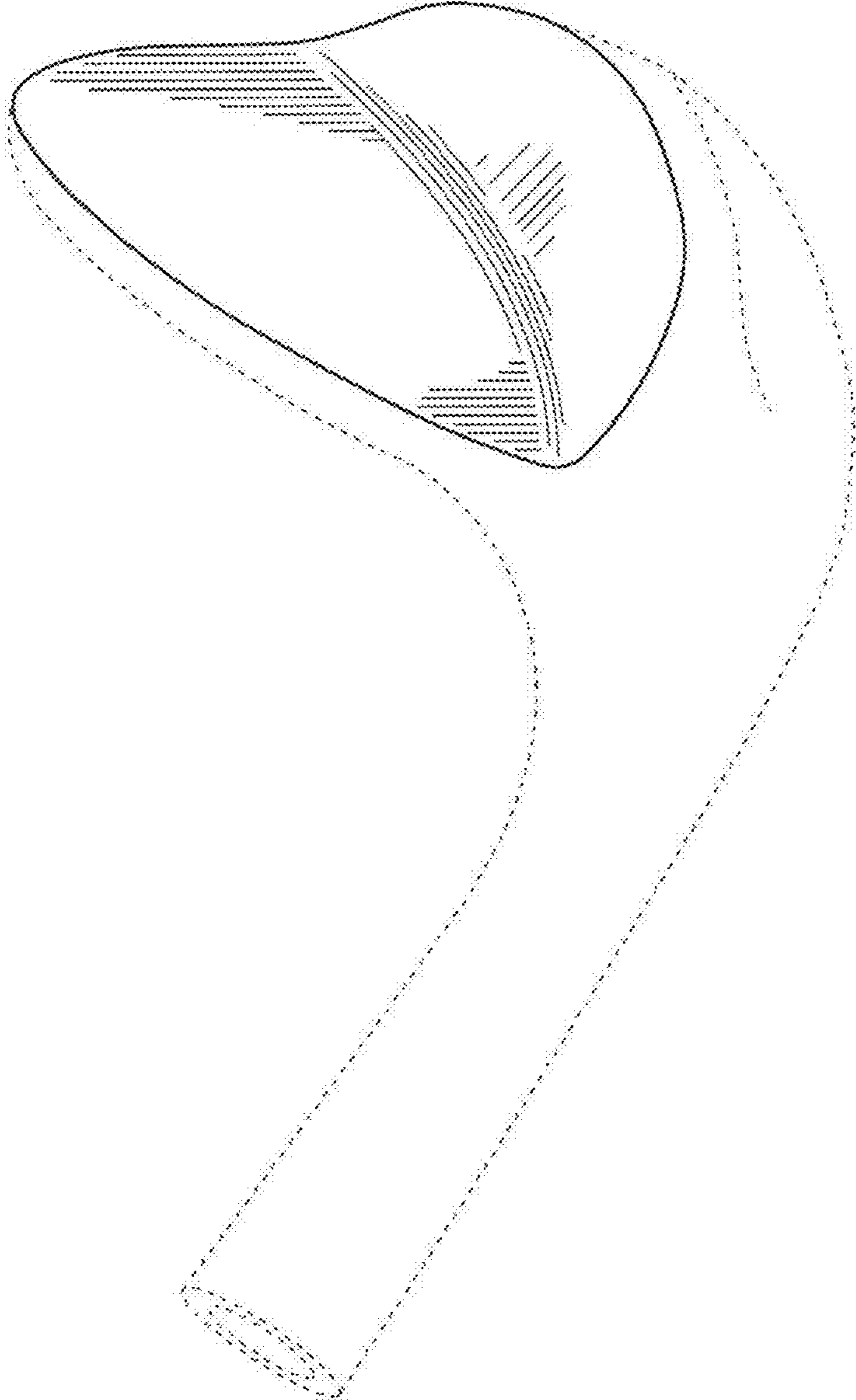


FIG. 1

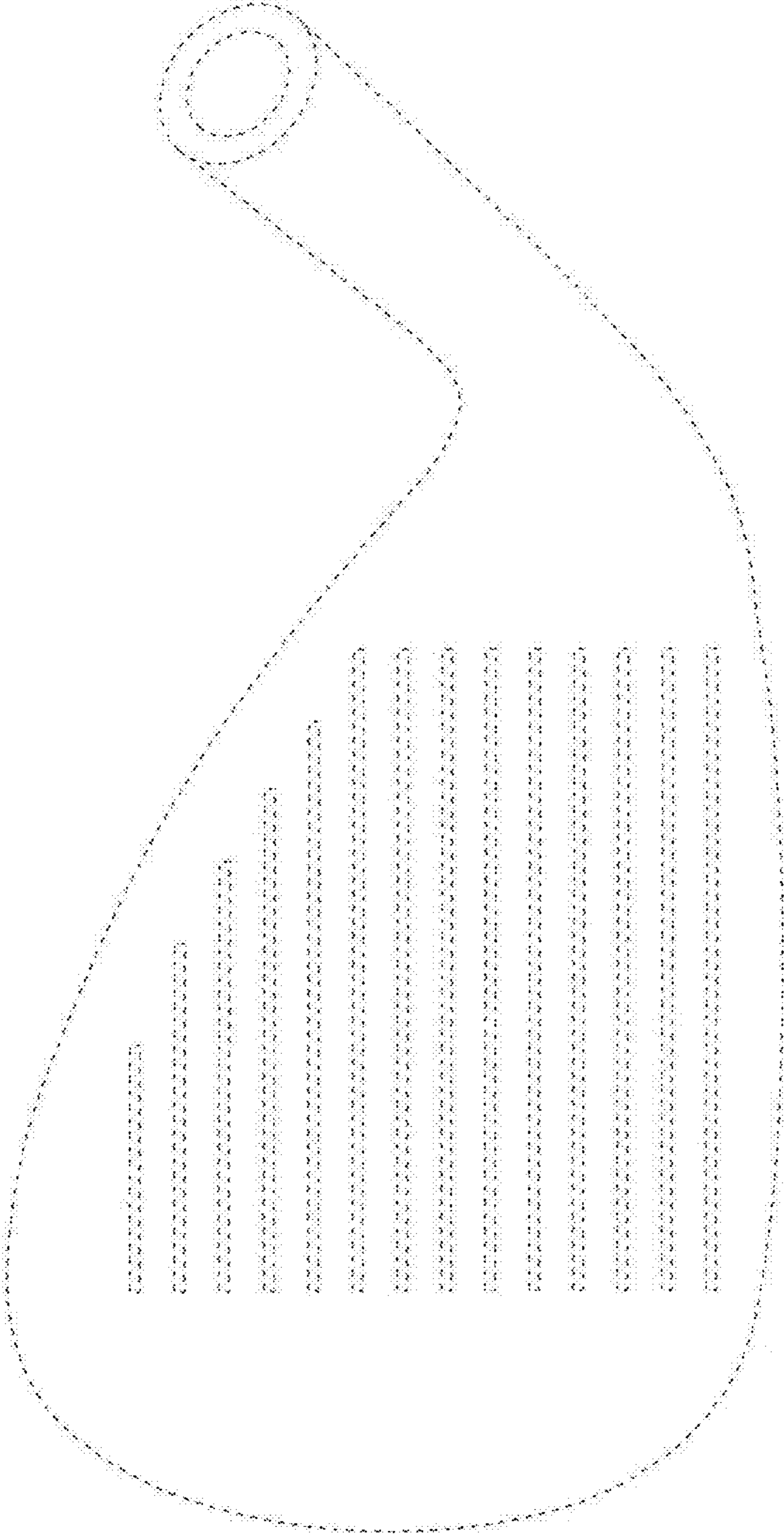


FIG. 2

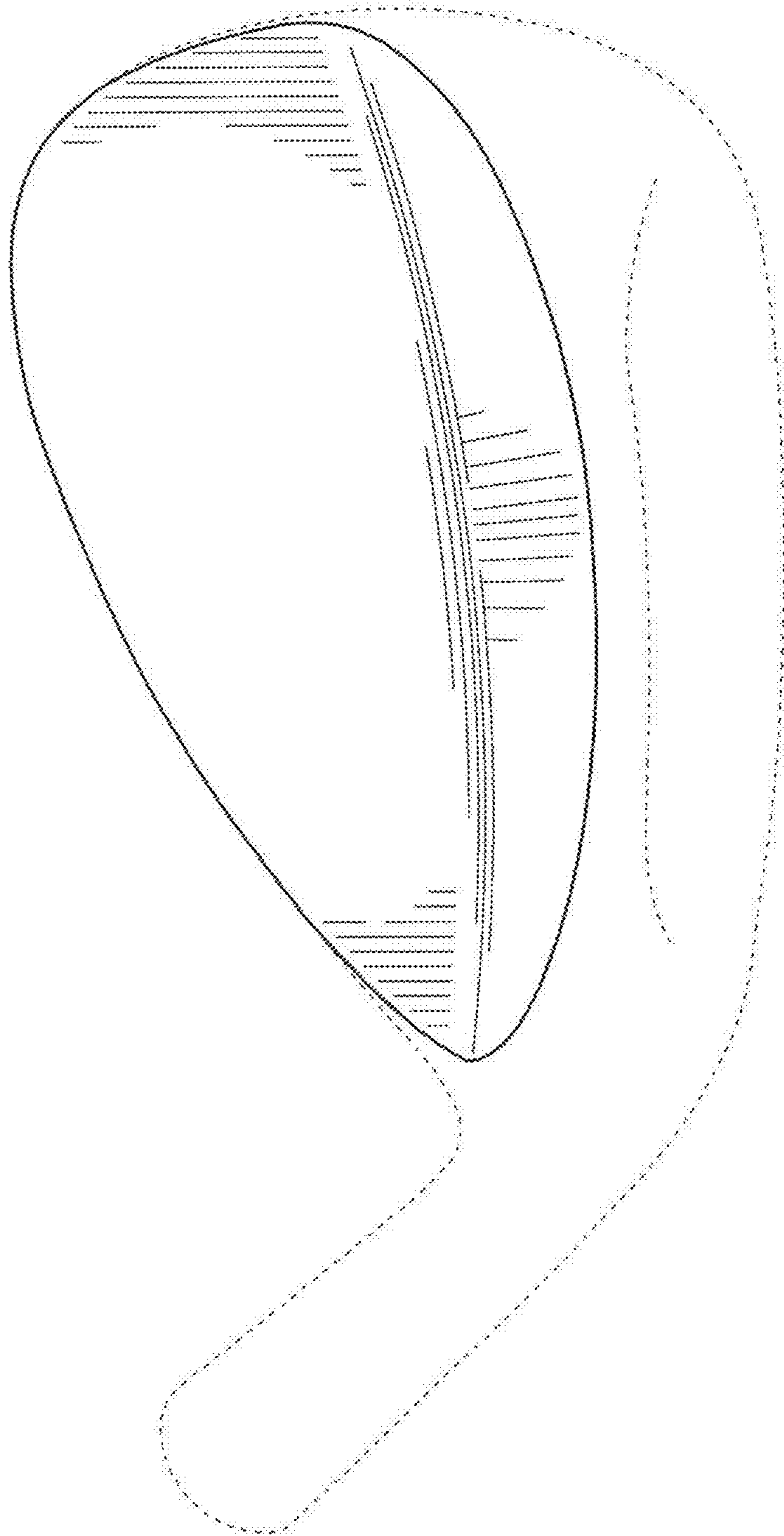


FIG. 3

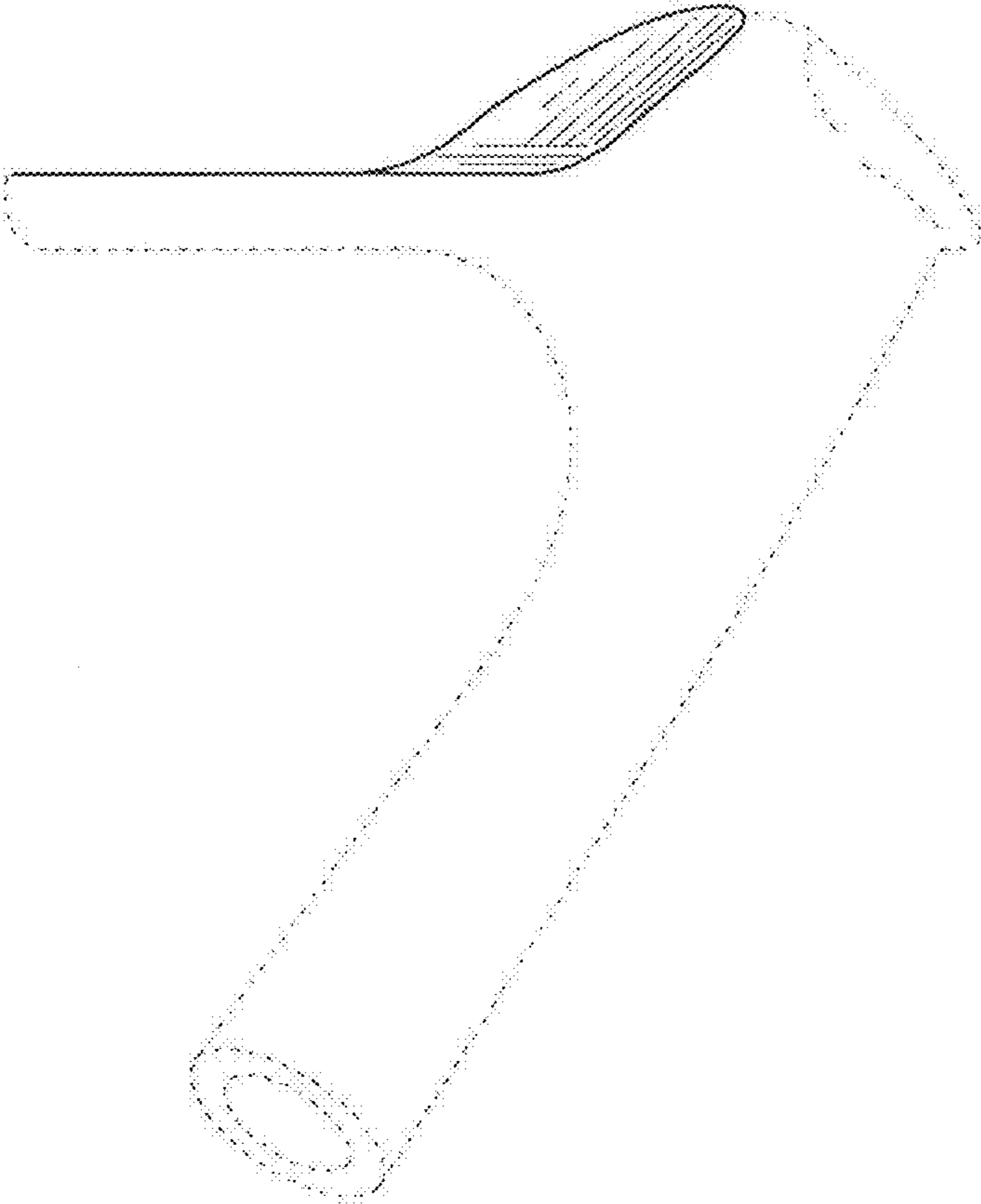


FIG. 4

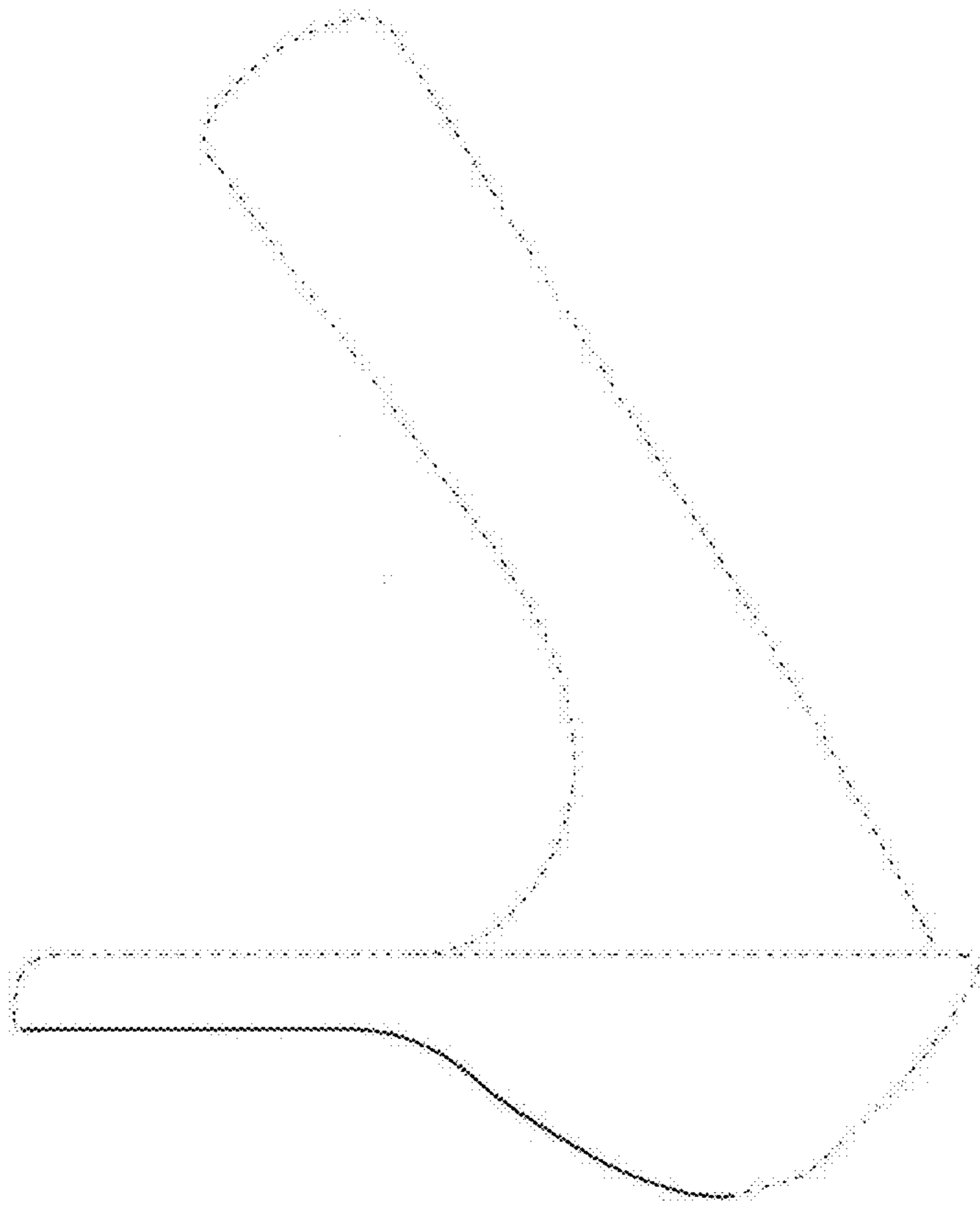


FIG. 5

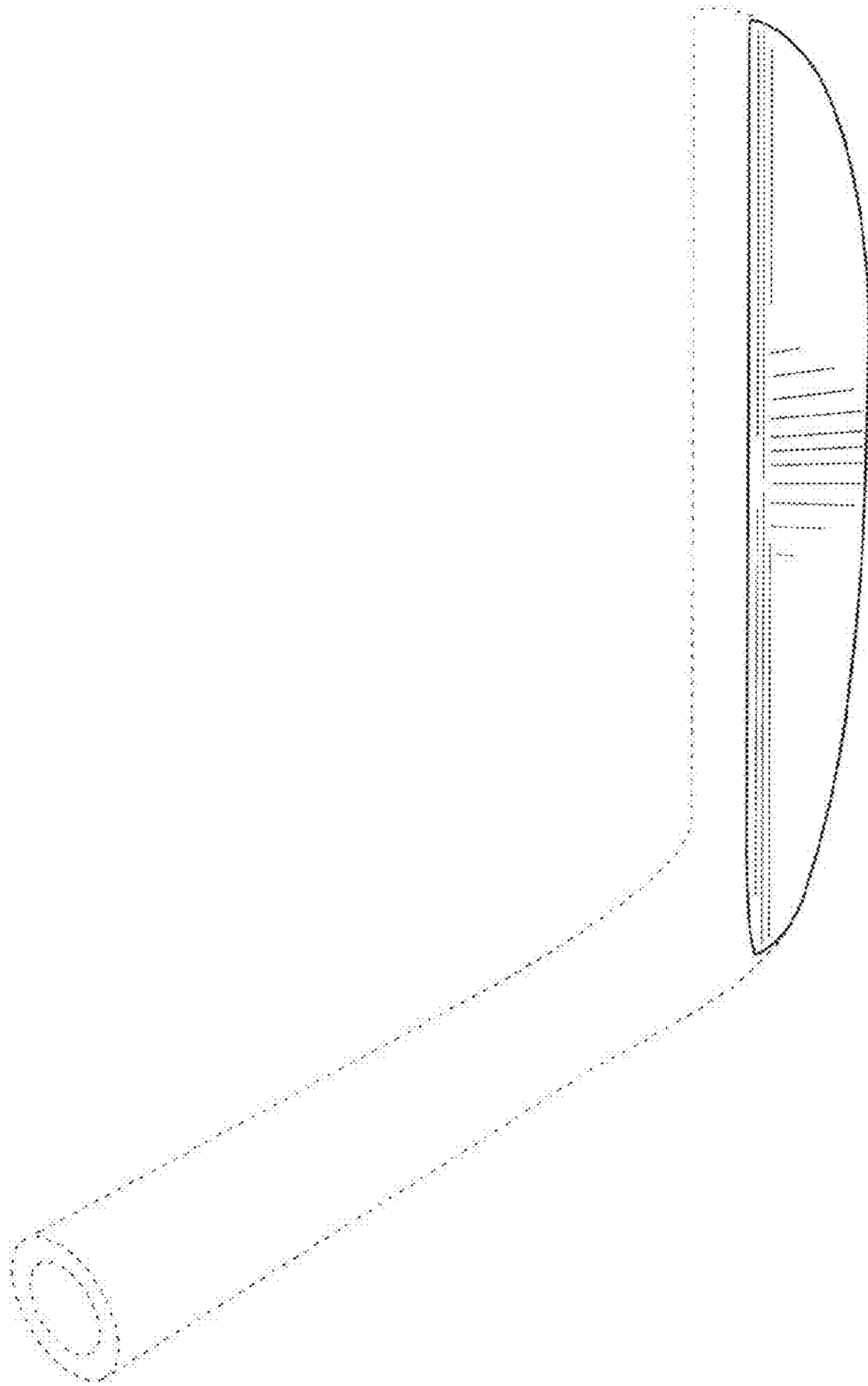


FIG. 6

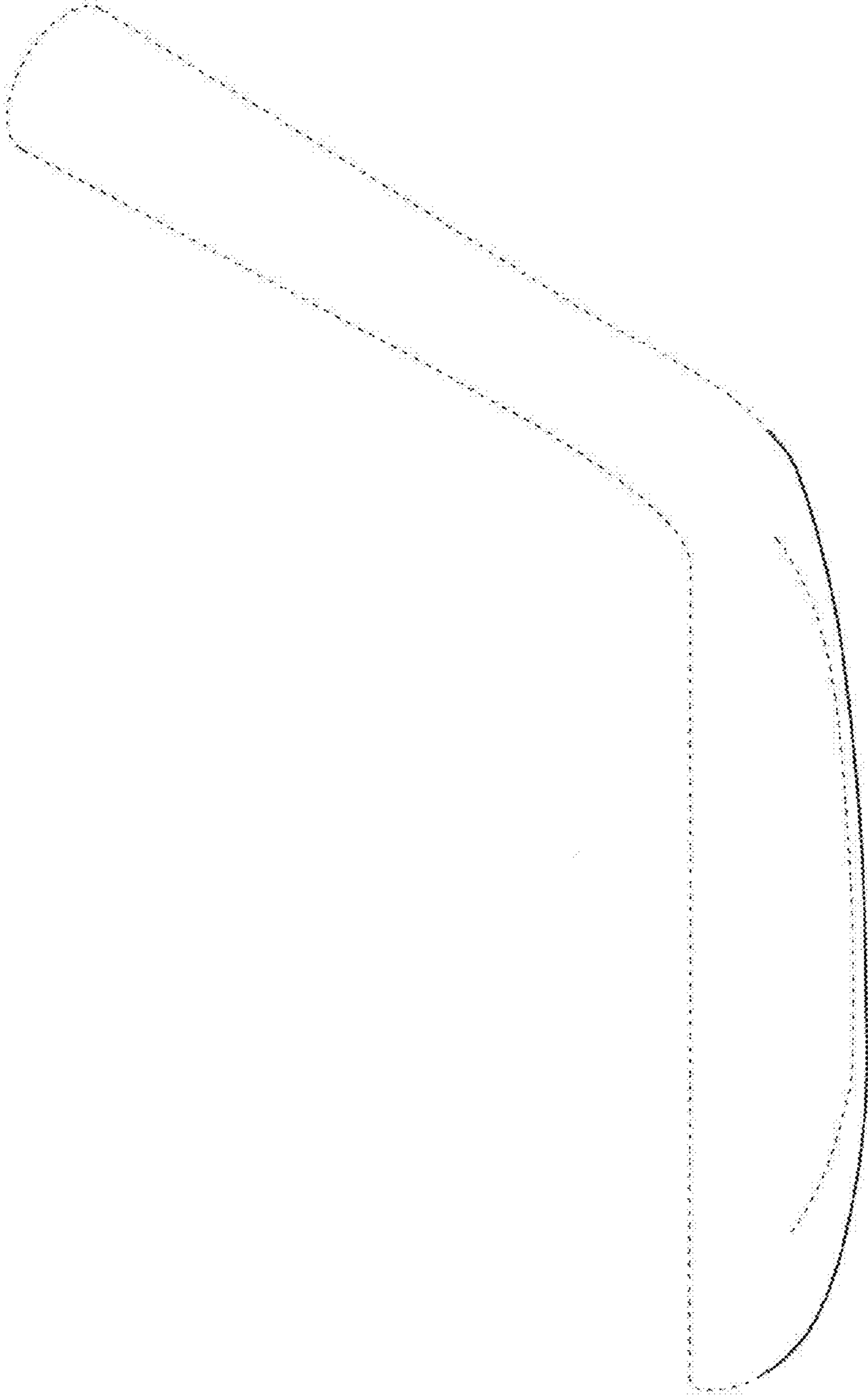


FIG. 7