



US00D766384S

(12) **United States Design Patent** (10) **Patent No.:** **US D766,384 S**
Jones (45) **Date of Patent:** **** Sep. 13, 2016**

(54) **BARBELL COLLAR WITH SLIDING CAM ACTION**

D584,604 S * 1/2009 Baldwin D8/396
7,494,451 B1 2/2009 Ramos
7,513,856 B2 4/2009 Jones

(71) Applicant: **Dylan Jones**, Santa Barbara, CA (US)

(Continued)

(72) Inventor: **Dylan Jones**, Santa Barbara, CA (US)

OTHER PUBLICATIONS

(**) Term: **15 Years**

Lock-Jaw Barbell Collars by Lock-Jaw dated no date given. Found online [Jun. 17, 2016] <http://lockjawcollar.com/collections/lock-jaw-barbell-collars>.*

(21) Appl. No.: **29/544,450**

Primary Examiner — Robert M Spear

(22) Filed: **Nov. 3, 2015**

Assistant Examiner — Ryan Harvey

(51) **LOC (10) Cl.** **21-02**

(74) *Attorney, Agent, or Firm* — QuickPatents, LLC; Kevin Prince

(52) **U.S. Cl.**

USPC **D21/694**

(58) **Field of Classification Search**

(57) **CLAIM**

USPC 482/107, 108, 106, 44, 148, 93, 910;
D21/694, 681, 679, 839; D8/396, 331,
D8/399, 394; D13/152, 154; D6/682;
D23/265; 24/580.11, DIG. 44, DIG. 53,
24/273, 530, 270, 524; 285/409, 366, 410,
285/411, 112, 373; 403/318, 359.3, 344,
403/362, 17, 374.5, 109.1; 135/75, 65, 76;
42/124, 127; 1/1

I claim the ornamental design for a barbell collar with sliding cam action, as shown and described.

CPC Y10S 707/99938; G06F 17/30362;
G06F 9/526; G06F 9/52; E05B 47/0012;
A63B 21/0728

DESCRIPTION

See application file for complete search history.

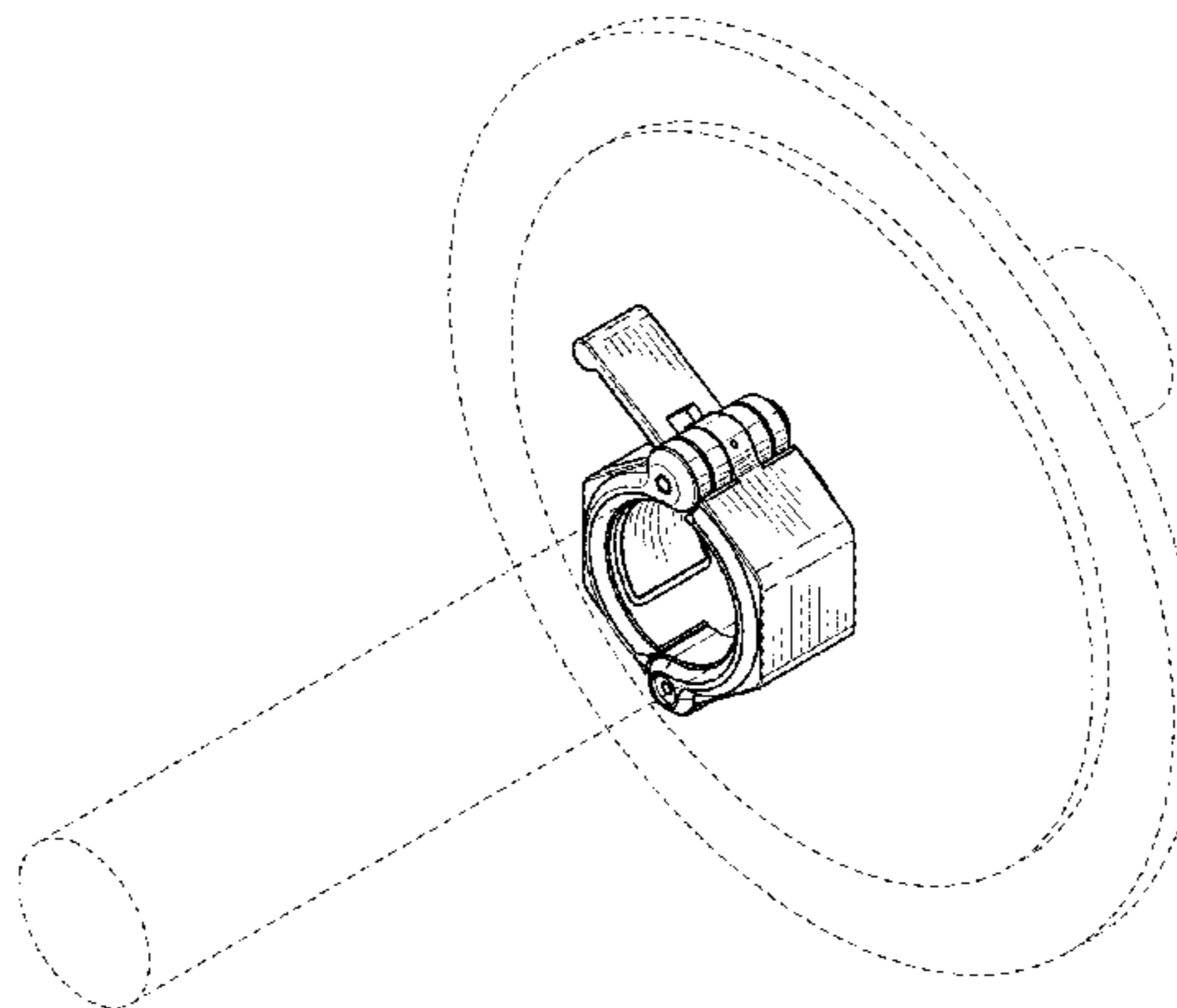
FIG. 1 is a perspective view of a barbell collar with sliding cam action, showing my new design in a locked position; FIG. 2 is a right-side elevational view of FIG. 1; FIG. 3 is a left-side elevational view of FIG. 1; FIG. 4 is a front elevational view of FIG. 1; FIG. 5 is a rear elevational view of FIG. 1; FIG. 6 is a top plan view of FIG. 1; FIG. 7 is a bottom plan view of FIG. 1; FIG. 8 is a perspective view thereof, illustrated in an unlocked position; FIG. 9 is a right-side elevational view of FIG. 8; FIG. 10 is a left-side elevational view of FIG. 8; FIG. 11 is a front elevational view of FIG. 8; FIG. 12 is a rear elevational view of FIG. 8; FIG. 13 is a top plan view of FIG. 8; and, FIG. 14 is a bottom plan view of FIG. 8. The broken lines showing a dumbbell and weight in FIGS. 1 and 8 depict environmental matter and form no part of the claimed design.

(56) **References Cited**

U.S. PATENT DOCUMENTS

D188,377 S * 7/1960 Martin D13/152
3,113,791 A * 12/1963 Frost F16L 17/04
24/270
D280,433 S * 9/1985 Lincir D21/694
4,639,979 A 2/1987 Polson
4,773,641 A 9/1988 Metz
5,295,933 A * 3/1994 Ciminski A63B 21/0728
24/270
D437,015 S * 1/2001 Rojas D21/679
D550,075 S * 9/2007 Tung D8/396

1 Claim, 9 Drawing Sheets



US D766,384 S

Page 2

(56)

References Cited

U.S. PATENT DOCUMENTS

8,006,711 B2 *	8/2011	Pietrzak	A45B 9/00	D694,841 S *	12/2013	Ciminski	D21/681
			135/65	8,776,810 B2 *	7/2014	Lah	A45B 9/00
8,397,421 B2 *	3/2013	Ding	F41G 11/003				135/65
			42/124	D736,884 S *	8/2015	Lovley, II	D21/839
				9,109,616 B1 *	8/2015	Ballentine	F16B 7/1454
				9,212,777 B2 *	12/2015	Shi	F16M 13/022
				9,297,477 B2 *	3/2016	Yoder	F16K 35/10

* cited by examiner

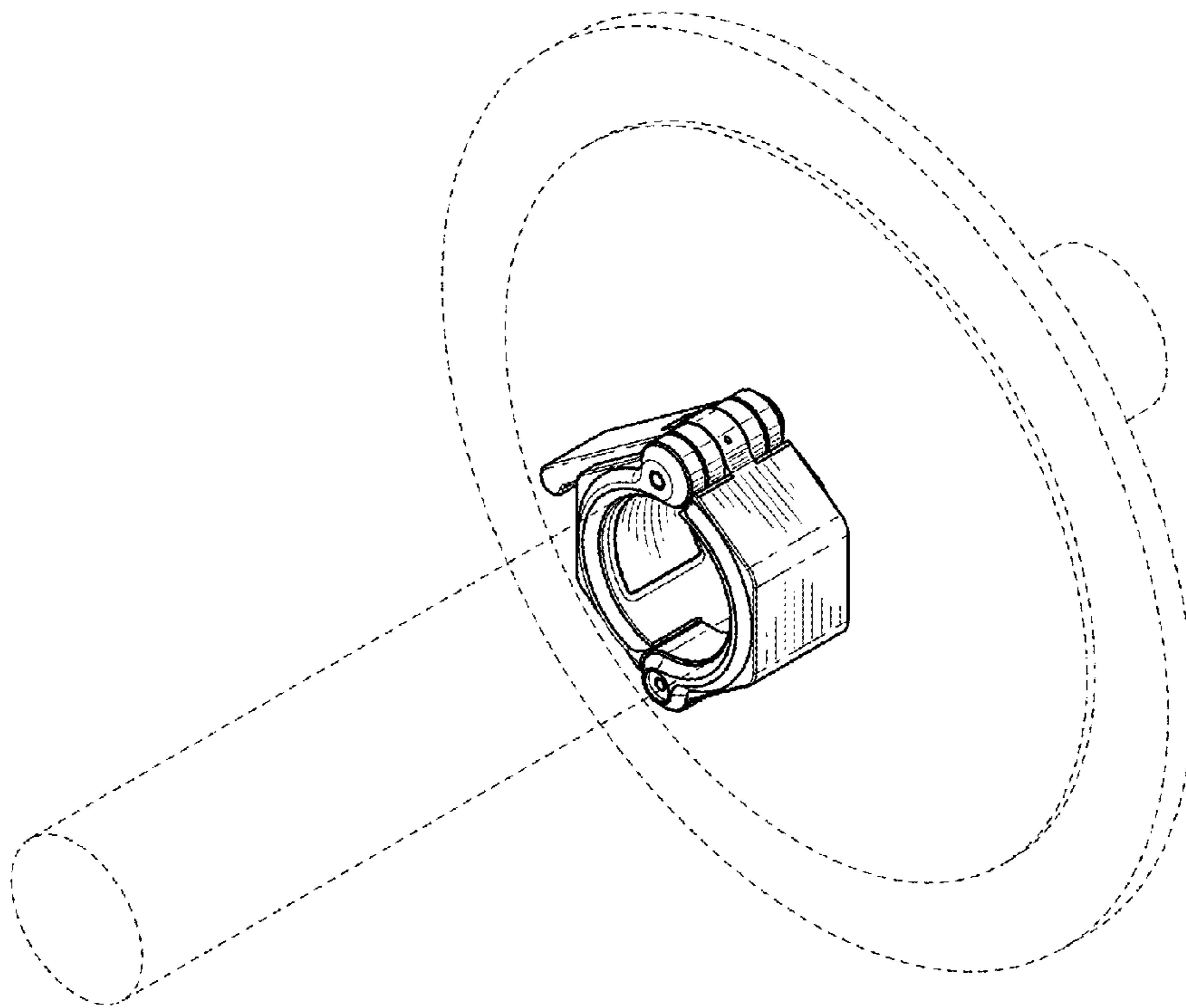


FIG. 1

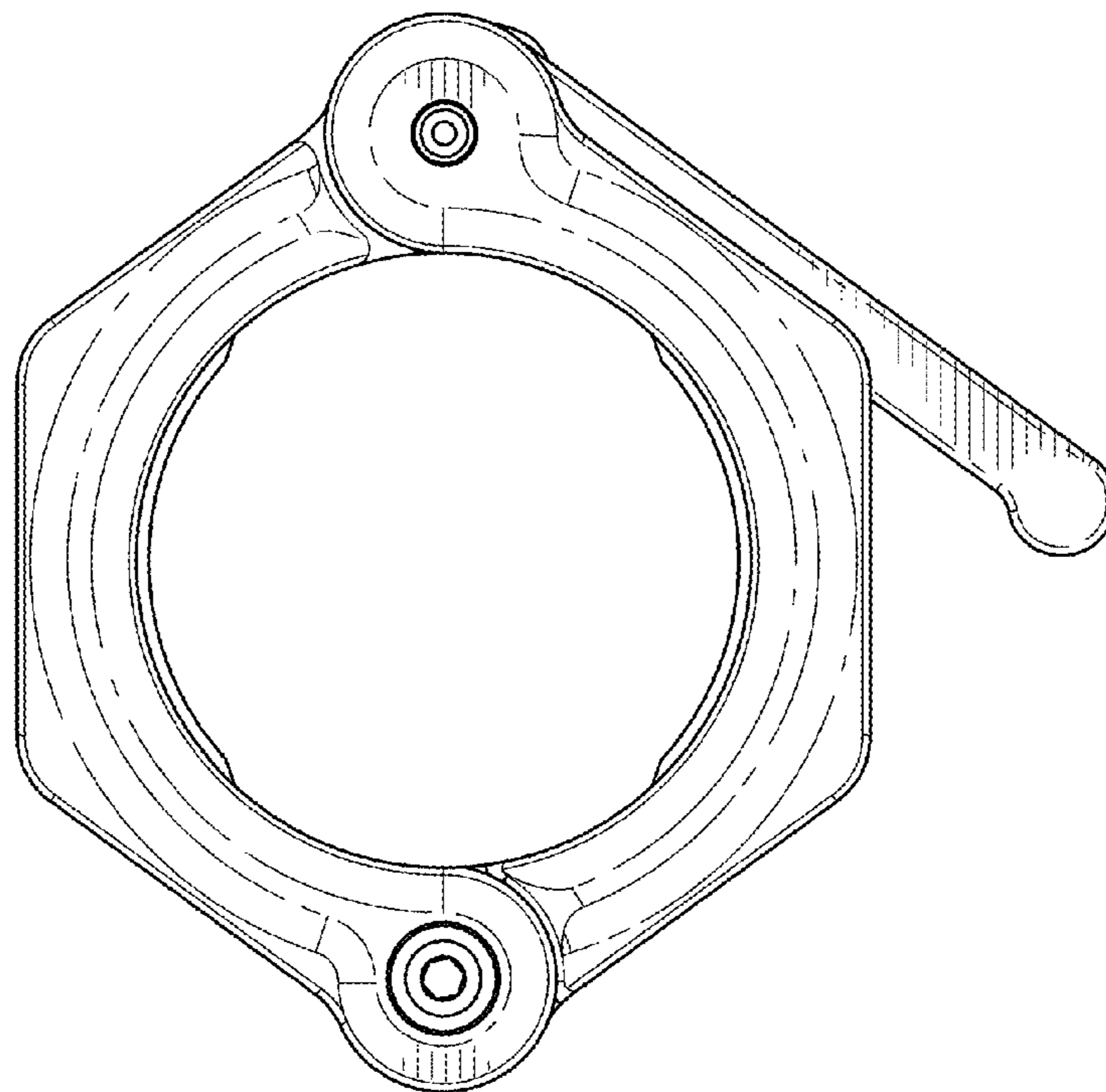


FIG. 2

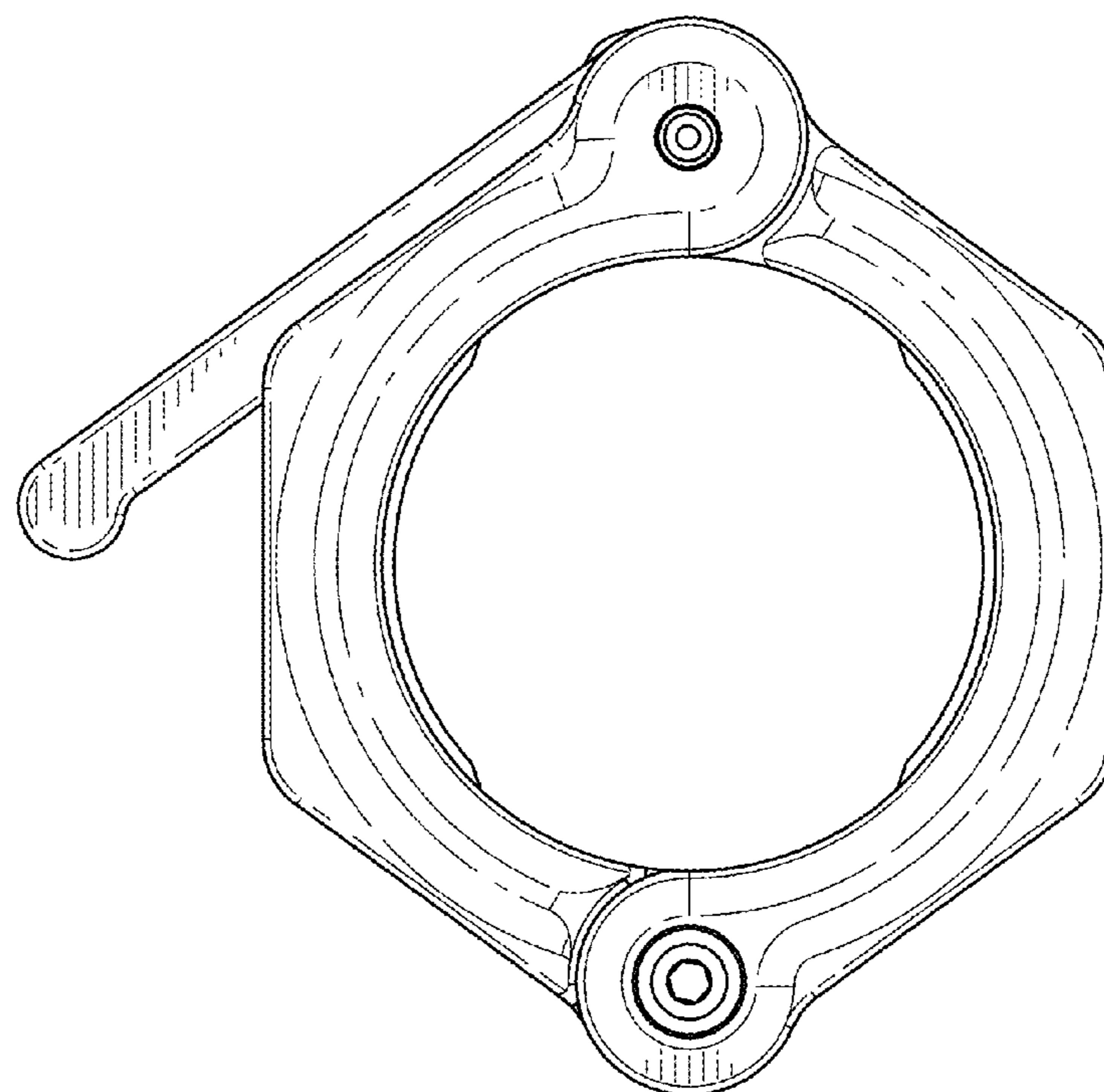


FIG. 3

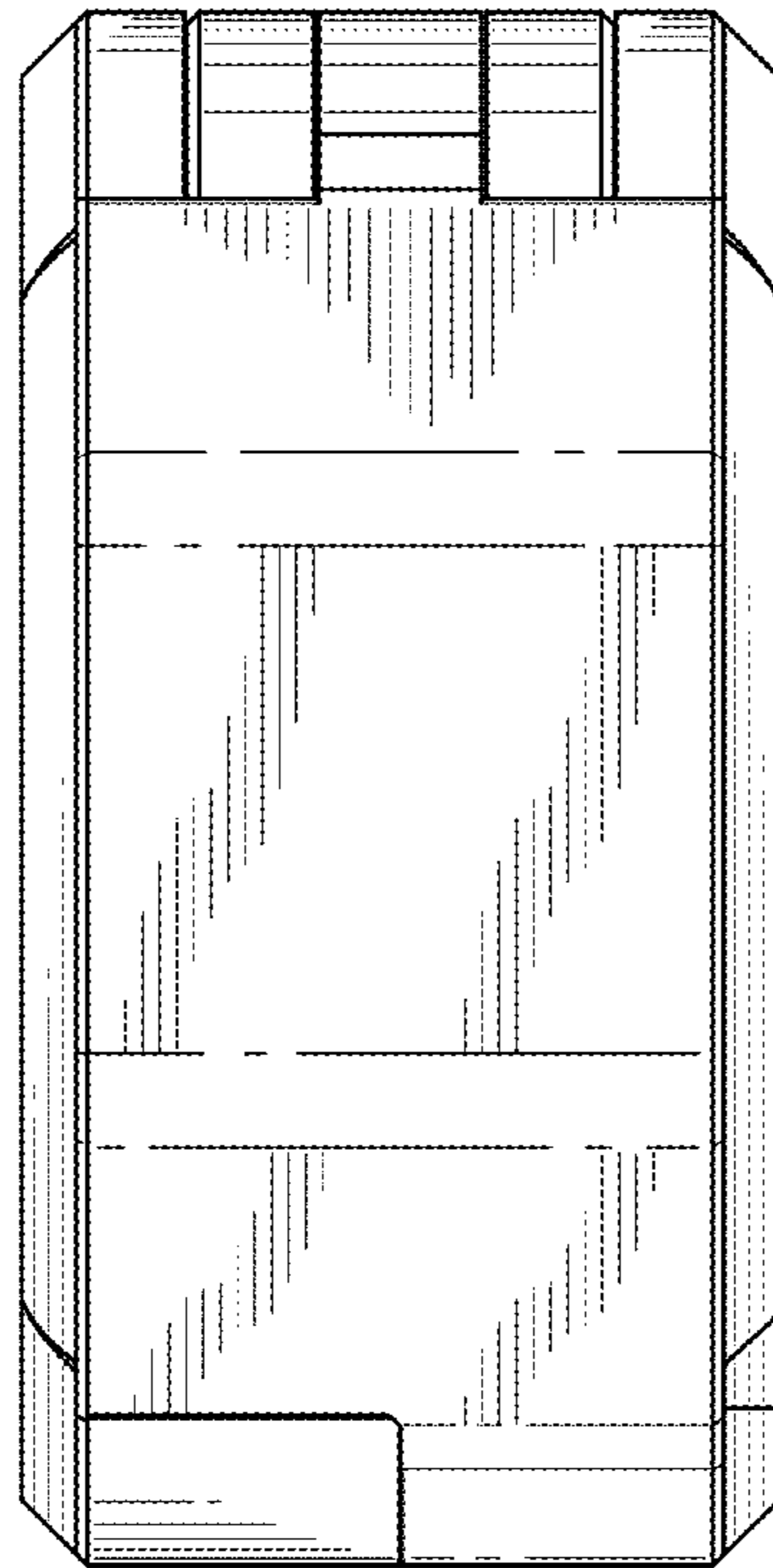


FIG. 4

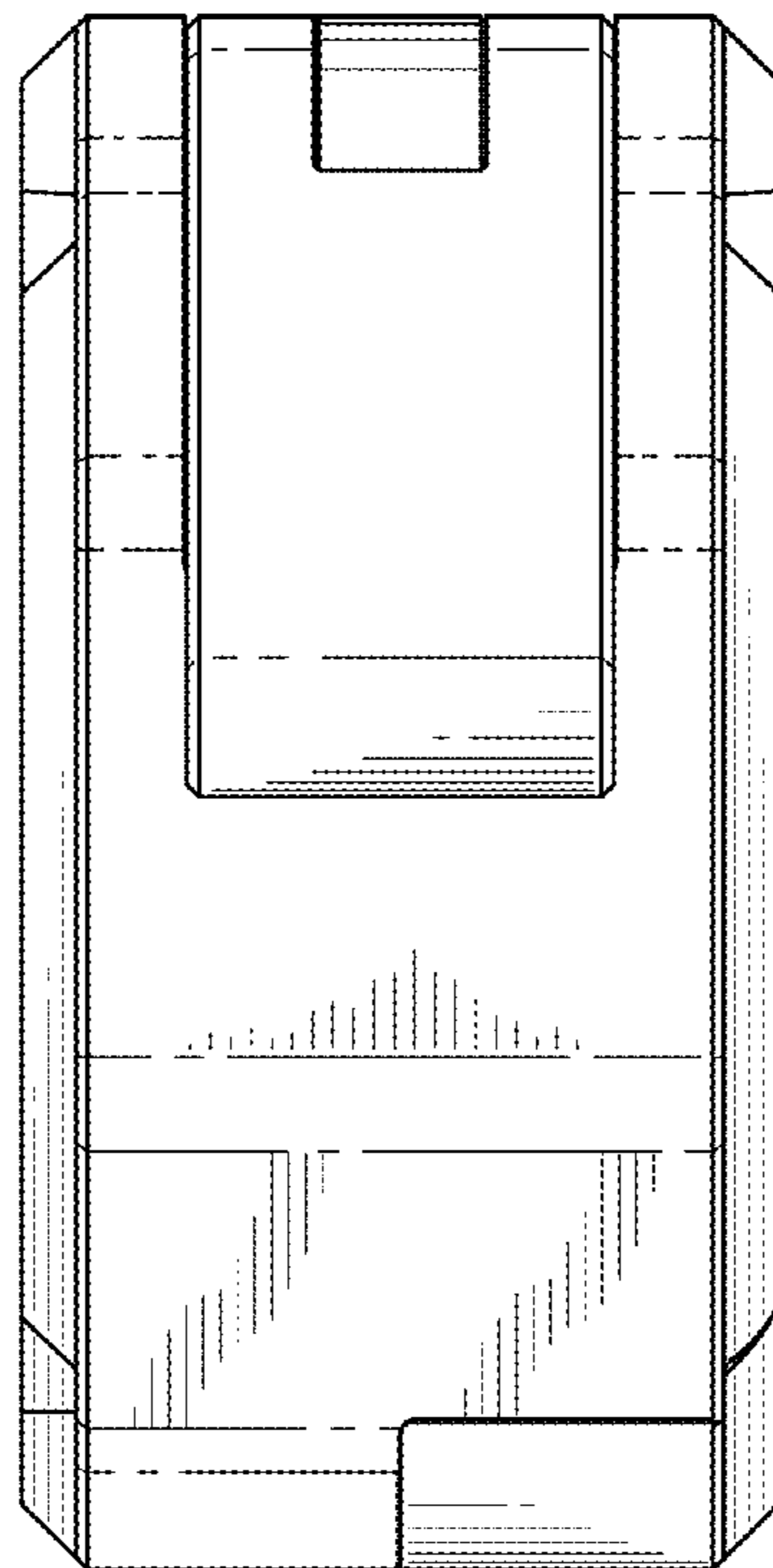


FIG. 5

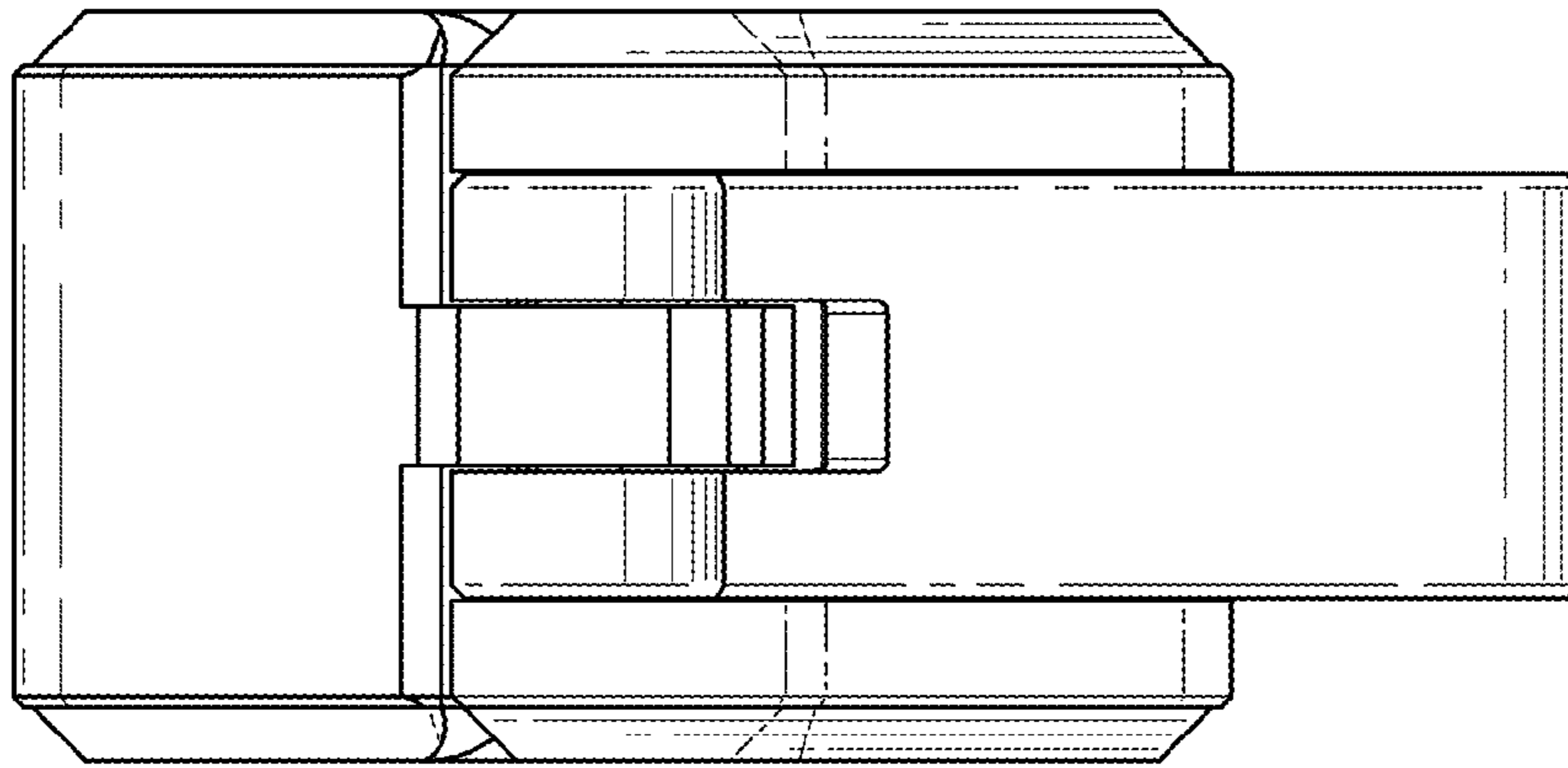


FIG. 6

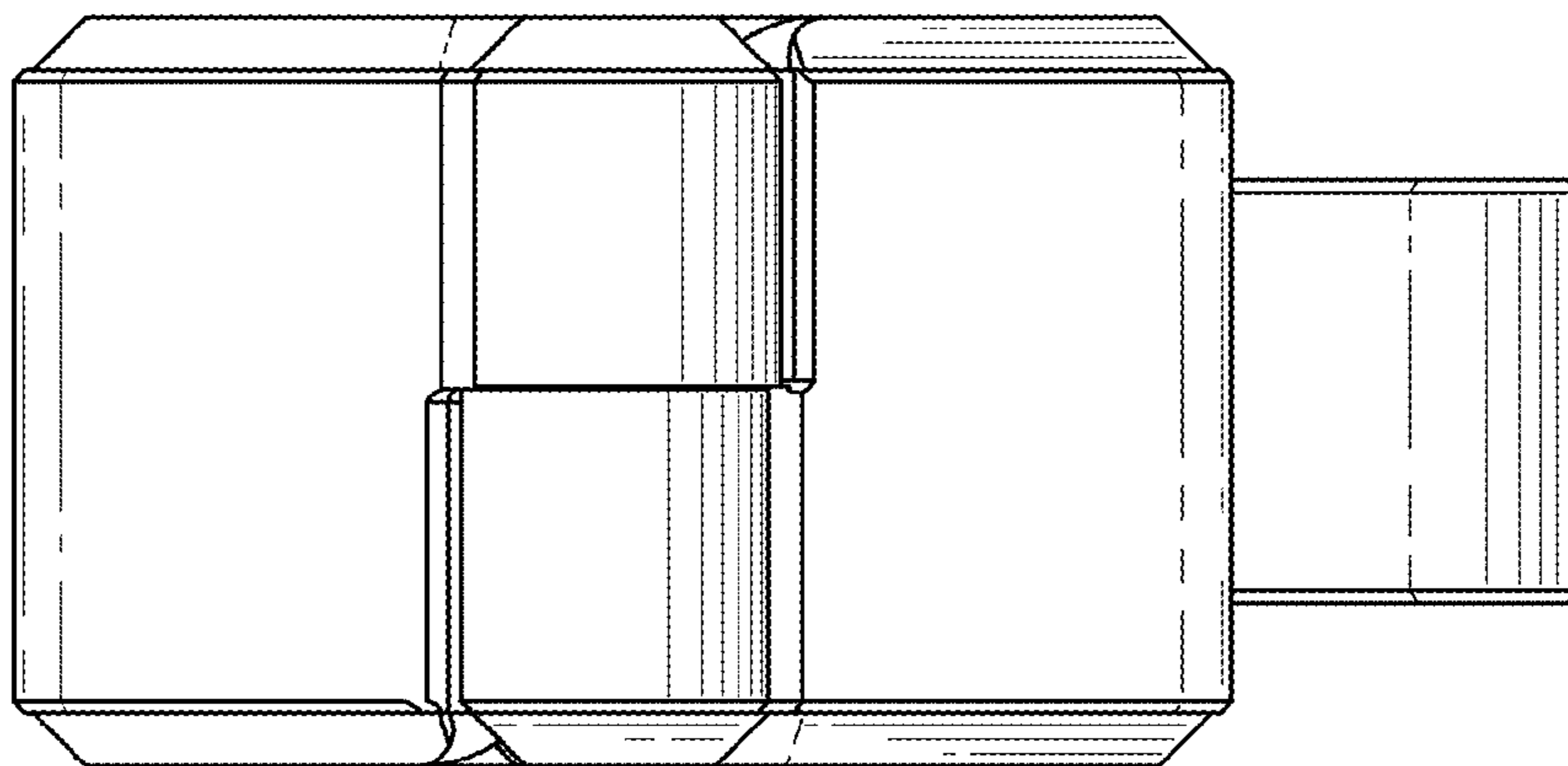


FIG. 7

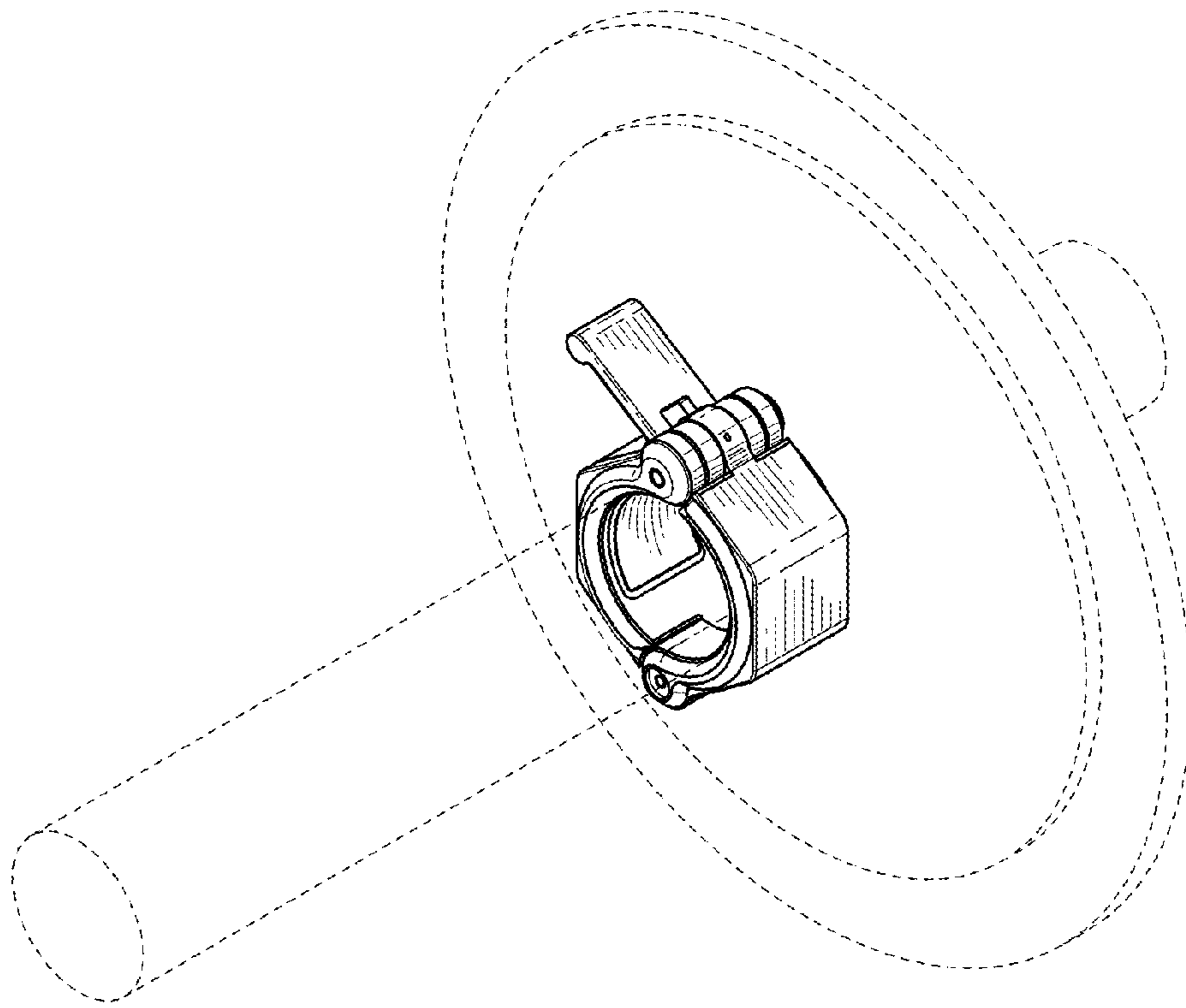


FIG. 8

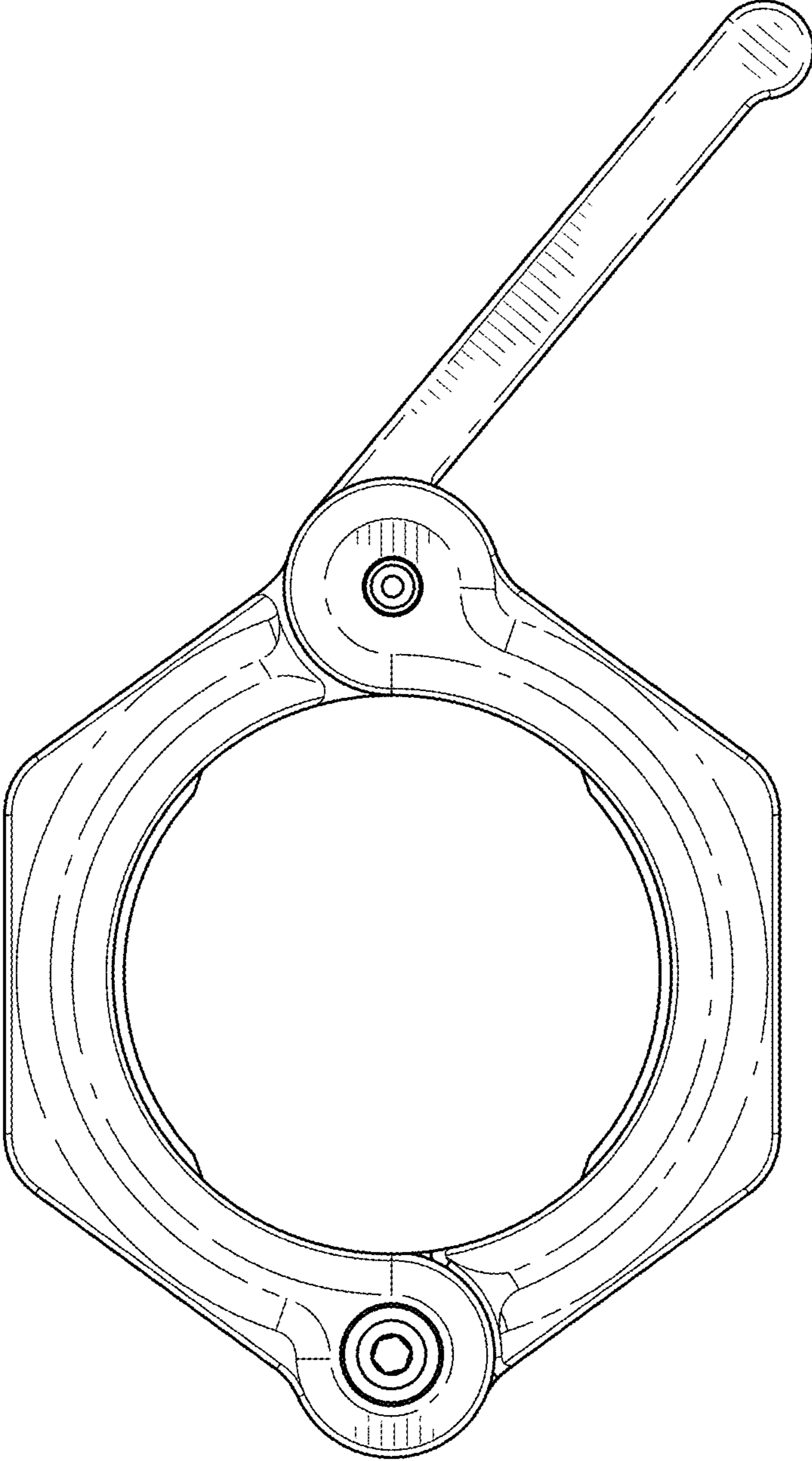


FIG. 9

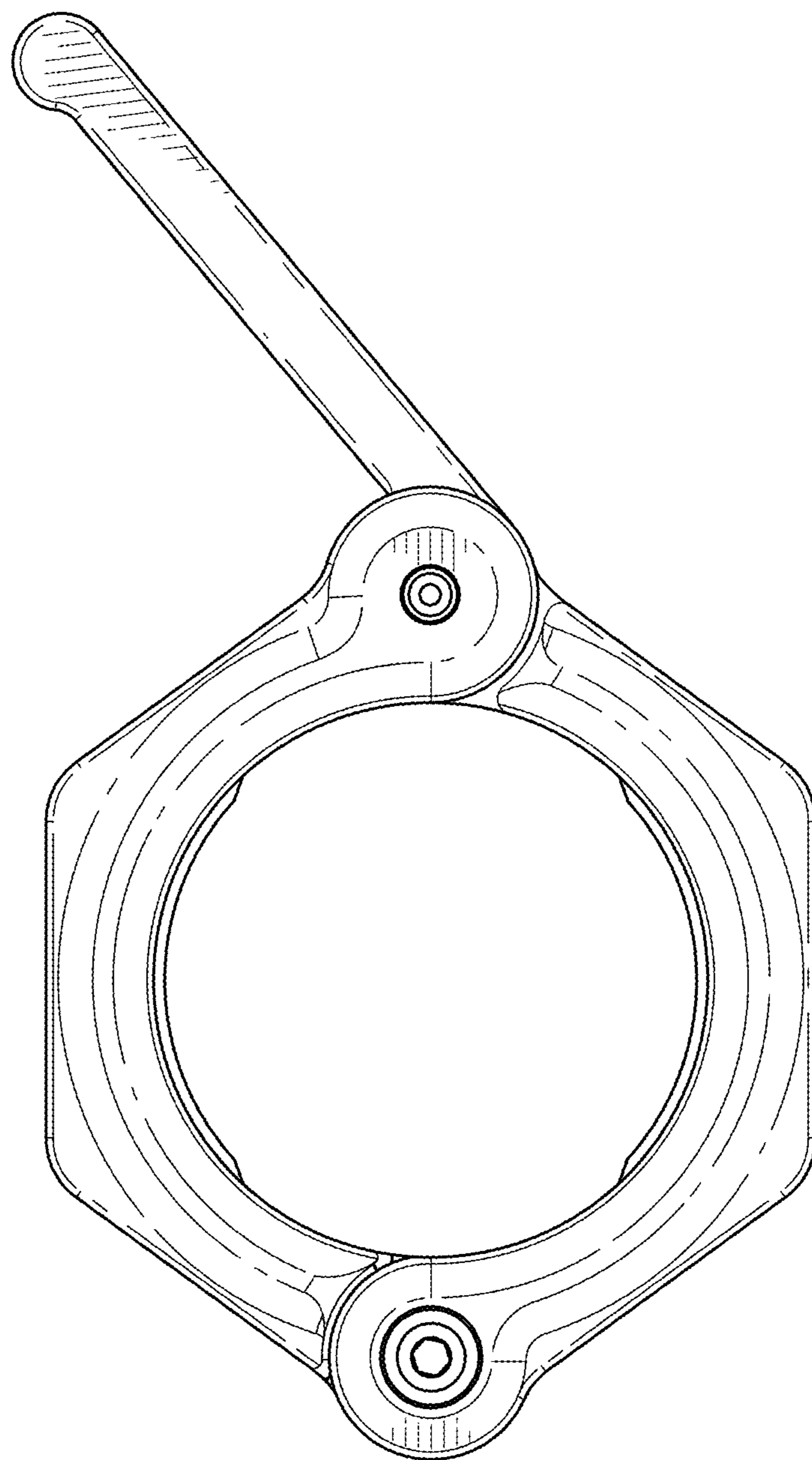


FIG. 10

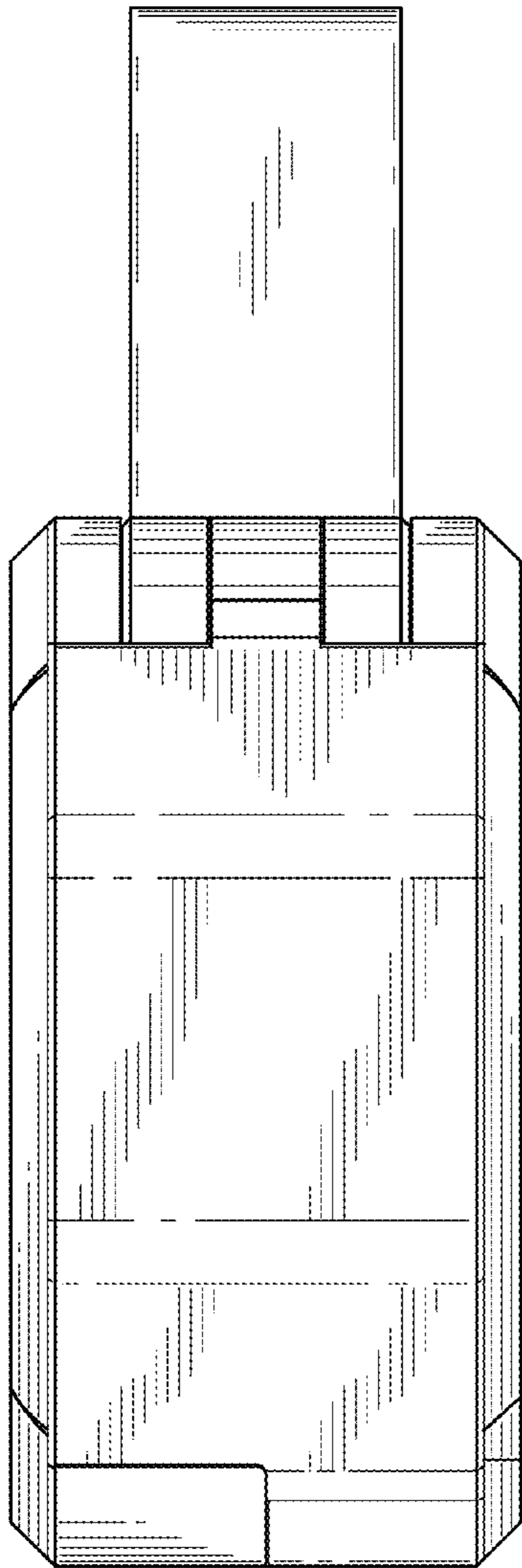


FIG. 11

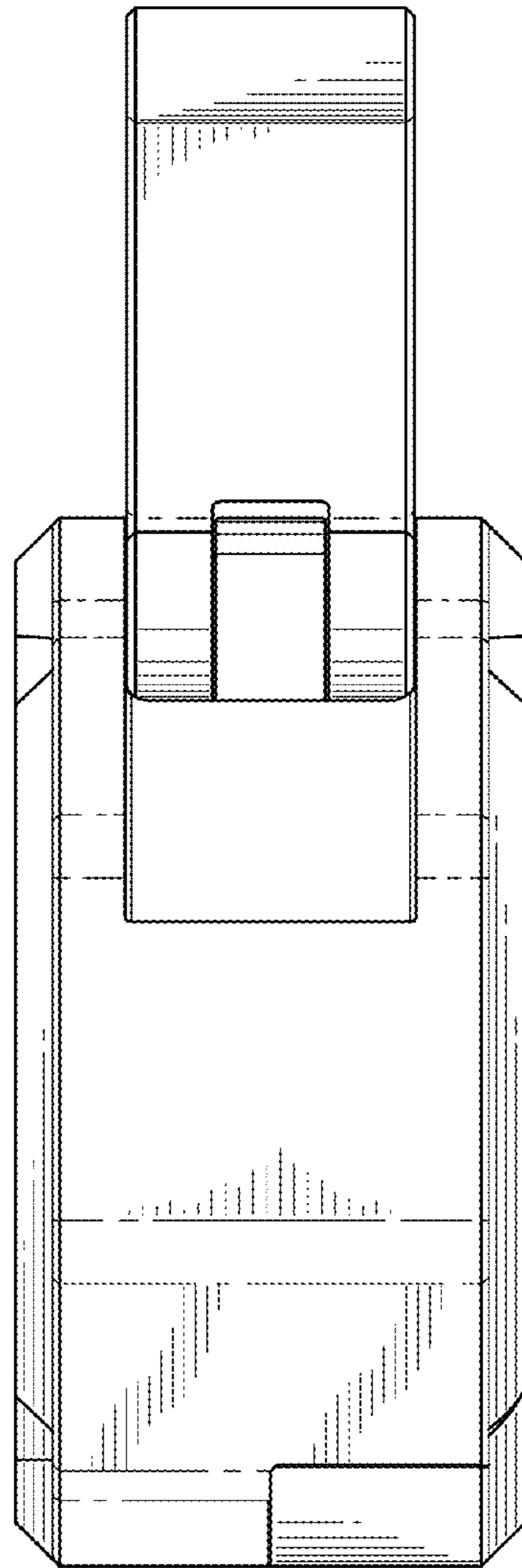


FIG. 12

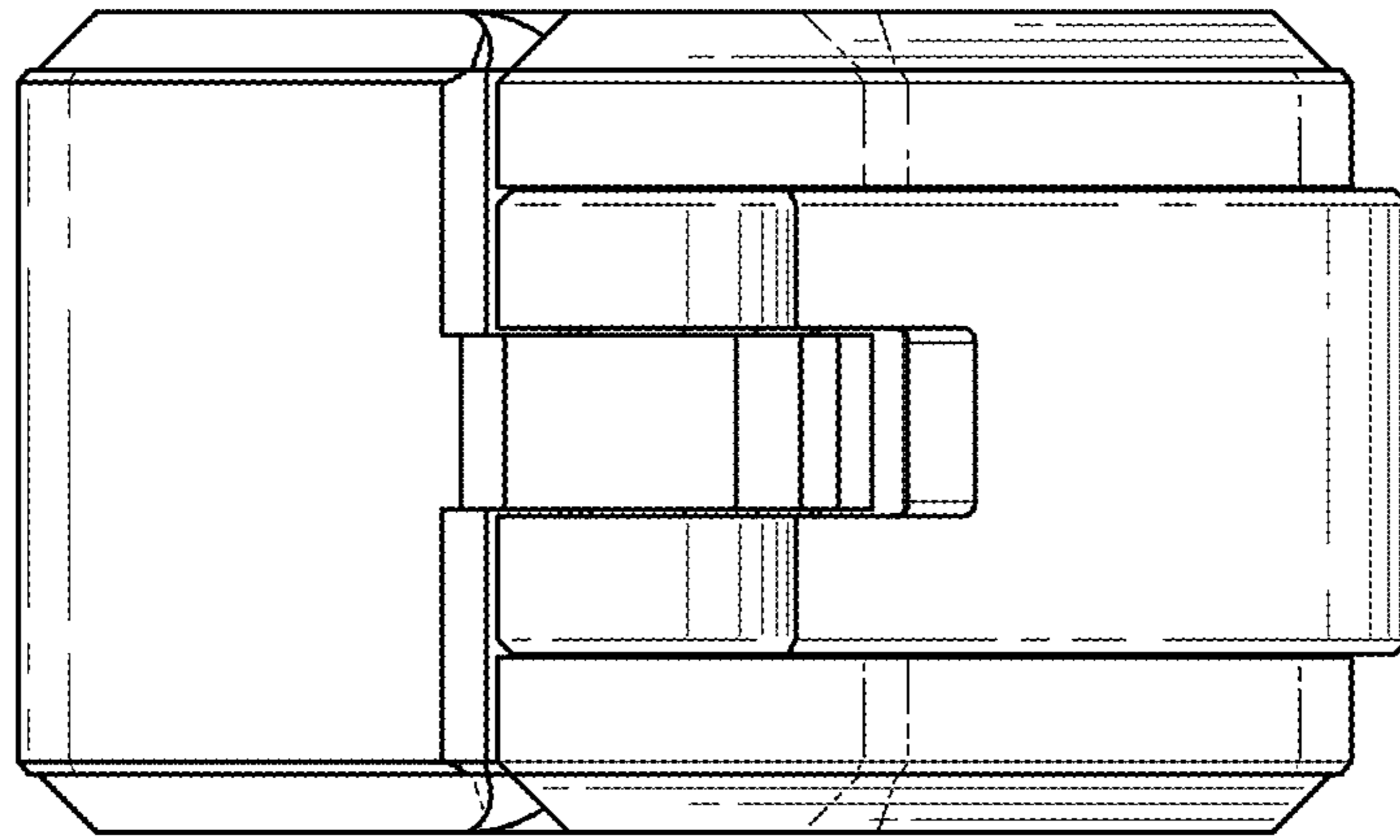


FIG. 13

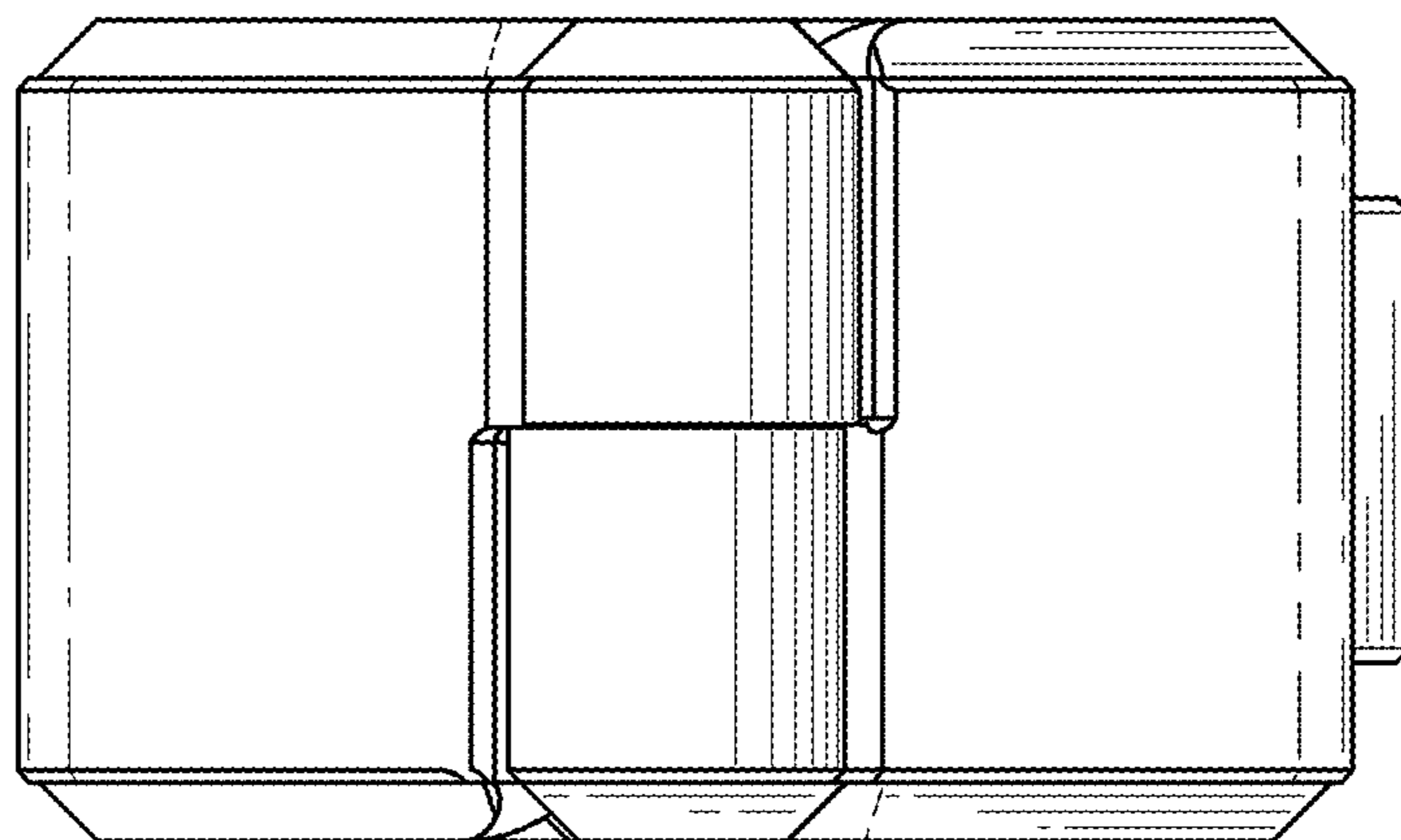


FIG. 14