

US00D766382S

(12) **United States Design Patent** (10) **Patent No.:** **US D766,382 S**
Beaver et al. (45) **Date of Patent:** **** Sep. 13, 2016**

(54) **BOX**
(71) Applicant: **Beaverfit Limited**, Shropshire (GB)
(72) Inventors: **Thomas Edward Beaver**, Shropshire (GB); **Robert Joseph Bowden**, Shropshire (GB)
(73) Assignee: **Beaverfit Limited**, Shropshire (GB)
(**) Term: **14 Years**

4,759,539 A 7/1988 Nieppola
4,815,746 A 3/1989 Ward, Jr.
4,828,255 A 5/1989 Lahman
4,907,798 A 3/1990 Burchatz
4,921,245 A 5/1990 Roberts
4,927,135 A 5/1990 Nieppola
4,976,428 A 12/1990 Ghazi
4,976,623 A 12/1990 Owsley
5,013,035 A 5/1991 Nathaniel
5,046,722 A 9/1991 Antoon
D321,735 S 11/1991 Blubaugh
5,242,345 A 9/1993 Mitchell

(Continued)

(21) Appl. No.: **29/516,893**

(22) Filed: **Feb. 6, 2015**

(51) **LOC (10) Cl.** **21-02**

(52) **U.S. Cl.**
USPC **D21/682**; D3/262; D3/276

(58) **Field of Classification Search**
USPC D3/273, 274, 275, 276, 281, 282, 284, D3/292, 294, 295, 296, 302, 905, 901, 903, D3/262; D21/662, 680, 681, 682; D8/14, D8/75
CPC A63B 21/06; A63B 21/0603; A63B 21/0604; A63B 21/0607; A63B 21/285
See application file for complete search history.

(56) **References Cited**

U.S. PATENT DOCUMENTS

2,219,219 A 10/1940 Boger
2,632,645 A 3/1953 Barkschat
2,682,402 A 6/1954 McCarthy
2,855,200 A 10/1958 Blickman
3,295,847 A 1/1967 Matt, Sr.
3,664,666 A 5/1972 Lloyd
3,874,657 A 4/1975 Niebojewski
4,300,761 A 11/1981 Howard
4,431,181 A 2/1984 Baswell
4,637,608 A 1/1987 Owens et al.
D289,782 S 5/1987 Szymiski et al.
D290,033 S 5/1987 Policastro

FOREIGN PATENT DOCUMENTS

DE 20110717 U1 9/2001
EP 0384702 A1 8/1990

(Continued)

OTHER PUBLICATIONS

Beaver Fit Website, "Ammo Cans", Accessed Apr. 7, 2016. (<http://www.beaverfitusa.com/ammo-cans/>) p. 1 indicated with red arrow.*

(Continued)

Primary Examiner — Jennifer Rivard
Assistant Examiner — April Rivas
(74) *Attorney, Agent, or Firm* — Fay Sharpe LLP

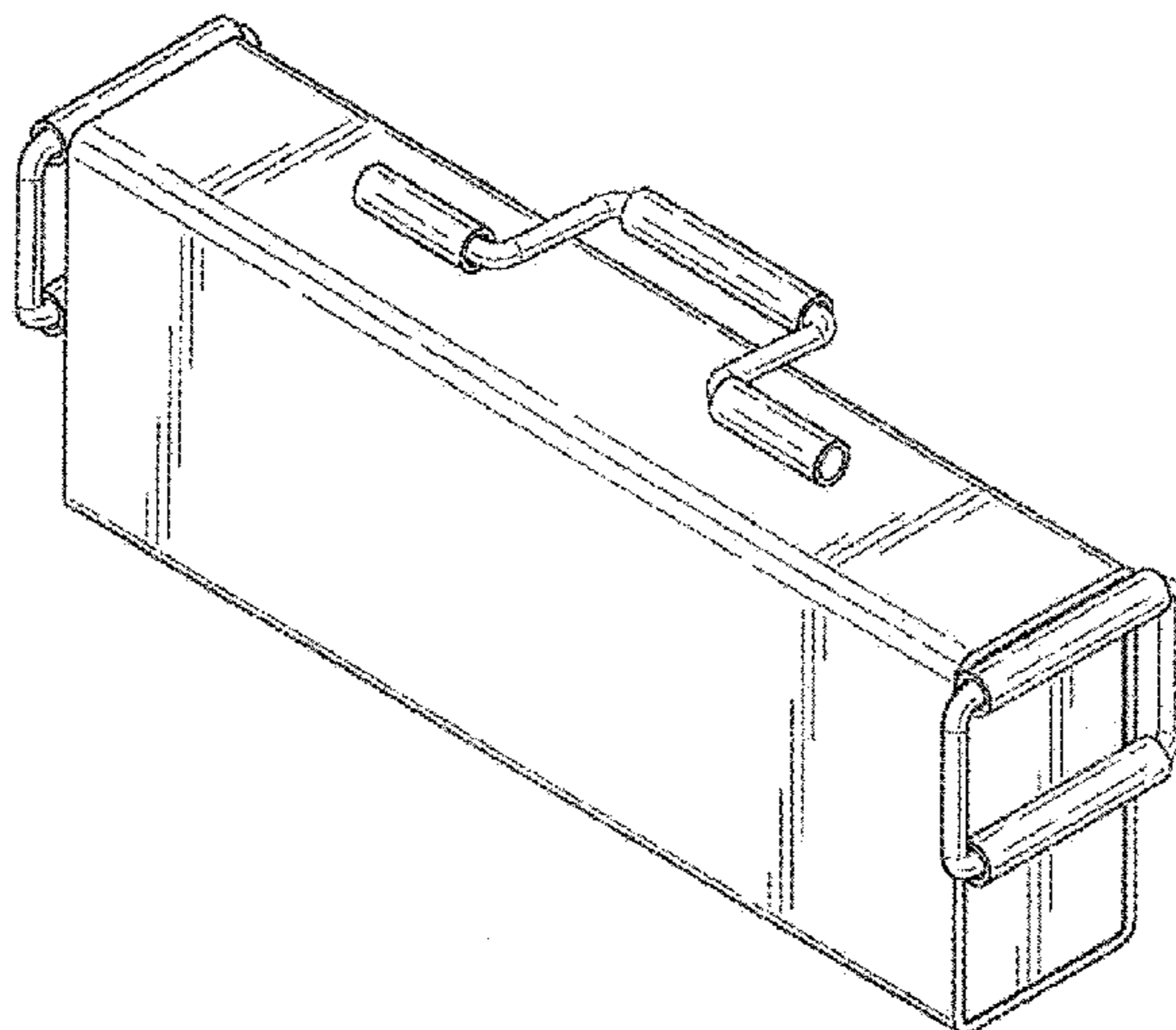
(57) **CLAIM**

The ornamental design for a box, as shown and described.

DESCRIPTION

FIG. 1 is a left side perspective view of a box showing our new design;
FIG. 2 is left side elevation view thereof;
FIG. 3 is a top plan view thereof; and,
FIG. 4 is an enlarged front end elevation thereof, with a rear end elevational view being a mirror image thereof.

1 Claim, 2 Drawing Sheets



(56)

References Cited

U.S. PATENT DOCUMENTS

D356,351 S 3/1995 Watts
 5,405,306 A 4/1995 Goldsmith et al.
 5,449,336 A 9/1995 Sabel
 5,466,204 A 11/1995 Nearing
 D368,288 S 3/1996 Kasbohm
 5,542,897 A 8/1996 Hall
 5,575,742 A 11/1996 Wu
 D381,715 S 7/1997 Reeder
 5,667,461 A 9/1997 Hall
 D401,985 S 12/1998 Wheeler
 D408,480 S 4/1999 Haugo
 5,966,956 A 10/1999 Morris et al.
 5,971,898 A 10/1999 Schoolfield
 6,027,429 A 2/2000 Daniels
 D425,152 S 5/2000 Ceppo
 6,090,021 A 7/2000 Flowers et al.
 D439,641 S 3/2001 Dumas
 D441,813 S 5/2001 Ceppo
 6,245,001 B1 6/2001 Siaperas
 6,273,846 B1 8/2001 Savage et al.
 6,280,361 B1 8/2001 Harvey et al.
 6,350,221 B1 2/2002 Krull
 6,422,981 B1 7/2002 Riser
 6,454,683 B1 9/2002 Kaye
 6,520,890 B2 2/2003 Hsu
 6,554,747 B1 4/2003 Rempe
 6,558,301 B1 5/2003 Jackson
 6,612,845 B1 9/2003 Macri et al.
 6,634,998 B2 10/2003 Siaperas
 D495,380 S 8/2004 Ceppo
 D495,381 S 8/2004 Ceppo
 D495,383 S 8/2004 Ceppo
 6,881,178 B1 4/2005 Goldberg
 D514,808 S * 2/2006 Morine D3/273
 7,070,547 B1 7/2006 Pater
 D539,138 S * 3/2007 Mittelstaedt D3/294
 D544,554 S * 6/2007 Brun D21/662
 7,311,642 B2 12/2007 Li et al.
 D563,490 S * 3/2008 Prenatt D21/680
 D565,132 S 3/2008 Lien et al.
 D582,674 S * 12/2008 Meyerspeer D3/280
 7,488,277 B1 2/2009 Knapp
 7,520,840 B2 4/2009 Shifferaw
 D597,614 S 8/2009 Goddard
 D597,834 S * 8/2009 Mittelstaedt D3/294
 7,575,538 B1 8/2009 Clark
 7,614,988 B1 11/2009 Kiser
 7,758,477 B2 * 7/2010 Prenatt A63B 21/0603
 215/379
 D638,217 S * 5/2011 von Gottberg D3/281
 8,231,511 B2 * 7/2012 Dalcourt A63B 21/0607
 482/106
 D666,259 S 8/2012 Garcia
 D671,997 S 12/2012 Lien
 D672,414 S * 12/2012 Januszek D21/680
 D678,963 S 3/2013 James
 8,485,951 B1 7/2013 Adams
 D701,044 S * 3/2014 Kishimoto D3/272
 D708,682 S * 7/2014 Jones D21/680
 D727,444 S 4/2015 Dixon
 D731,601 S 6/2015 Bradley et al.

D740,025 S * 10/2015 Phan D3/294
 D740,026 S * 10/2015 Yamamoto D3/297
 D750,890 S * 3/2016 Quehl D3/281
 2002/0078861 A1 6/2002 Davis
 2003/0146212 A1 8/2003 Mai et al.
 2003/0213188 A1 11/2003 Bigelow
 2004/0082445 A1 * 4/2004 Zabel A63B 21/06
 482/109
 2004/0237870 A1 12/2004 Clarke et al.
 2005/0032612 A1 2/2005 Keiser
 2005/0032613 A1 2/2005 Wehrell
 2006/0052220 A1 3/2006 Jackson et al.
 2006/0199706 A1 9/2006 Wehrell
 2006/0293156 A1 12/2006 Trees
 2007/0032357 A1 2/2007 Piane
 2007/0113487 A1 5/2007 Warminsky
 2007/0117503 A1 5/2007 Warminsky
 2007/0161468 A1 7/2007 Yanagisawa et al.
 2007/0232461 A1 10/2007 Jenkins et al.
 2009/0017997 A1 1/2009 Piggins
 2009/0023566 A1 1/2009 Florczak
 2009/0072111 A1 3/2009 Piane, Jr.
 2009/0098987 A1 4/2009 McBride et al.
 2009/0124464 A1 5/2009 Kastelic
 2009/0143160 A1 6/2009 Hoganson
 2009/0176588 A1 7/2009 Lochtefeld
 2009/0215594 A1 8/2009 Panaiotov
 2009/0282749 A1 11/2009 Warminsky
 2010/0048368 A1 2/2010 Donofrio
 2010/0124996 A1 5/2010 Lindsay
 2010/0300906 A1 12/2010 Moore
 2011/0152046 A1 6/2011 Rochford
 2011/0195822 A1 8/2011 Donofrio
 2011/0319230 A1 12/2011 Brendle
 2012/0077429 A1 3/2012 Wernimont et al.
 2012/0142506 A1 6/2012 Hetrick et al.
 2012/0144762 A1 6/2012 Eatock et al.
 2012/0214651 A1 8/2012 Ross
 2015/0290488 A1 10/2015 Hopperstad et al.

FOREIGN PATENT DOCUMENTS

GB 648641 A 1/1951
 WO WO 2014/027086 A1 2/2014

OTHER PUBLICATIONS

google.com image search, "Ammunition can", Search performed on Apr. 7, 2016.*
 amazon.com, "German MG 34/42 Ammunition Can in Postwar Green", Accessed Apr. 7, 2016, (<http://www.amazon.com/German-Ammunition-Postwar-Green-Unmarked/dp/B00655CNPE>).
https://www.youtube.com/watch?v=YH_h5CXoVkg, "BeaverFit Wall Mounted Power Rig at CrossFit Bath", Uploaded Aug. 27, 2010.
<https://www.youtube.com/watch?v=MsDAULtypz4>, Jul. 2, 2012 [Accessed dec. 3, 2014] 1 page.
<https://crossfitpenrith.blogspot.co.uk/2009/08/rest-day.html#comment-form>, Aug. 2, 2009 [Accessed Dec. 3, 2014] 1 page.
 The Tactical Gym Box by TACWRK BLOG dated Apr. 20, 2014, Found online [Feb. 5, 2016], <http://www.tacwrk.com/blog/5-11-recon-serie/2014/04>, 6 pages.

* cited by examiner

FIG. 1

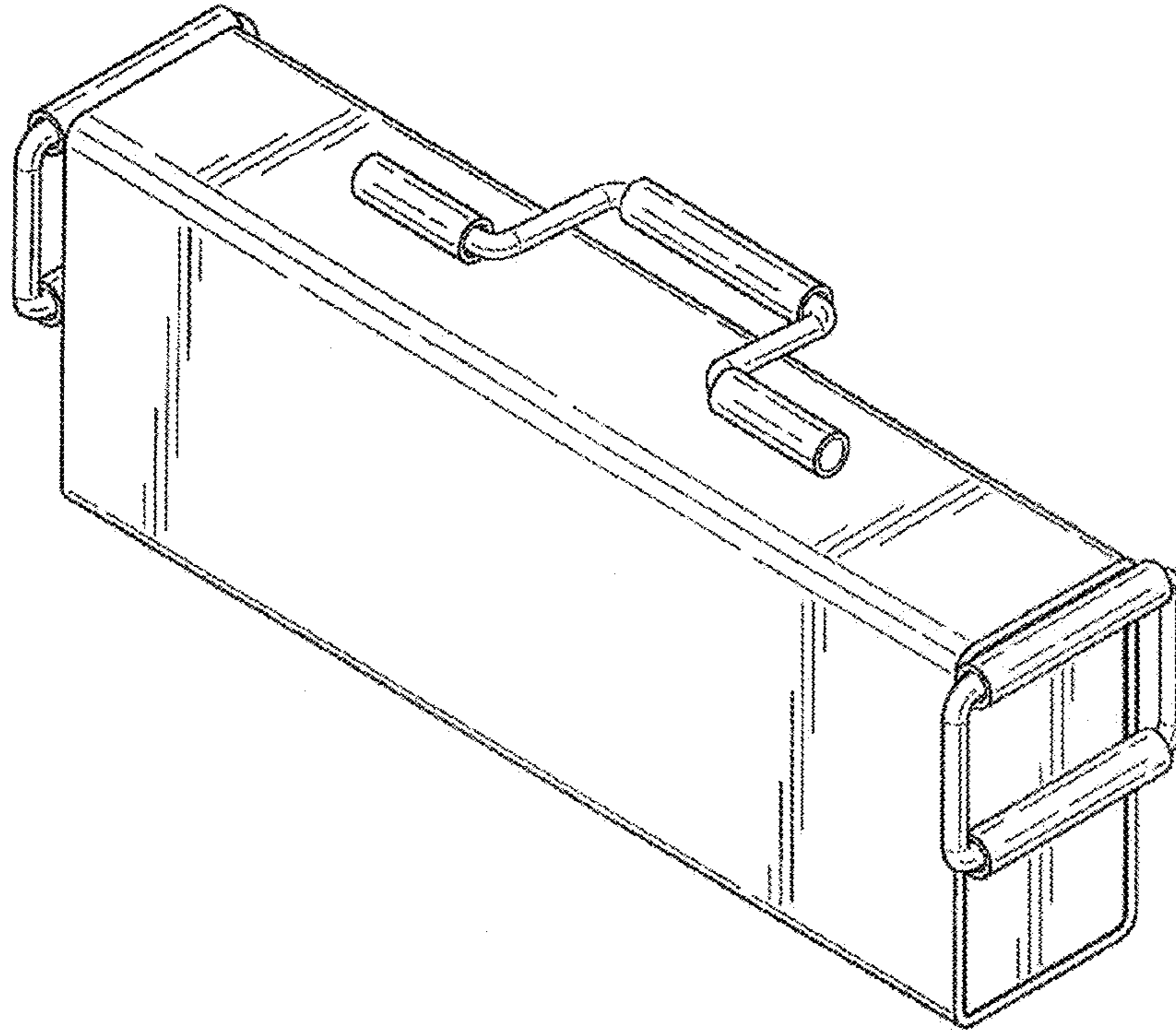


FIG. 2

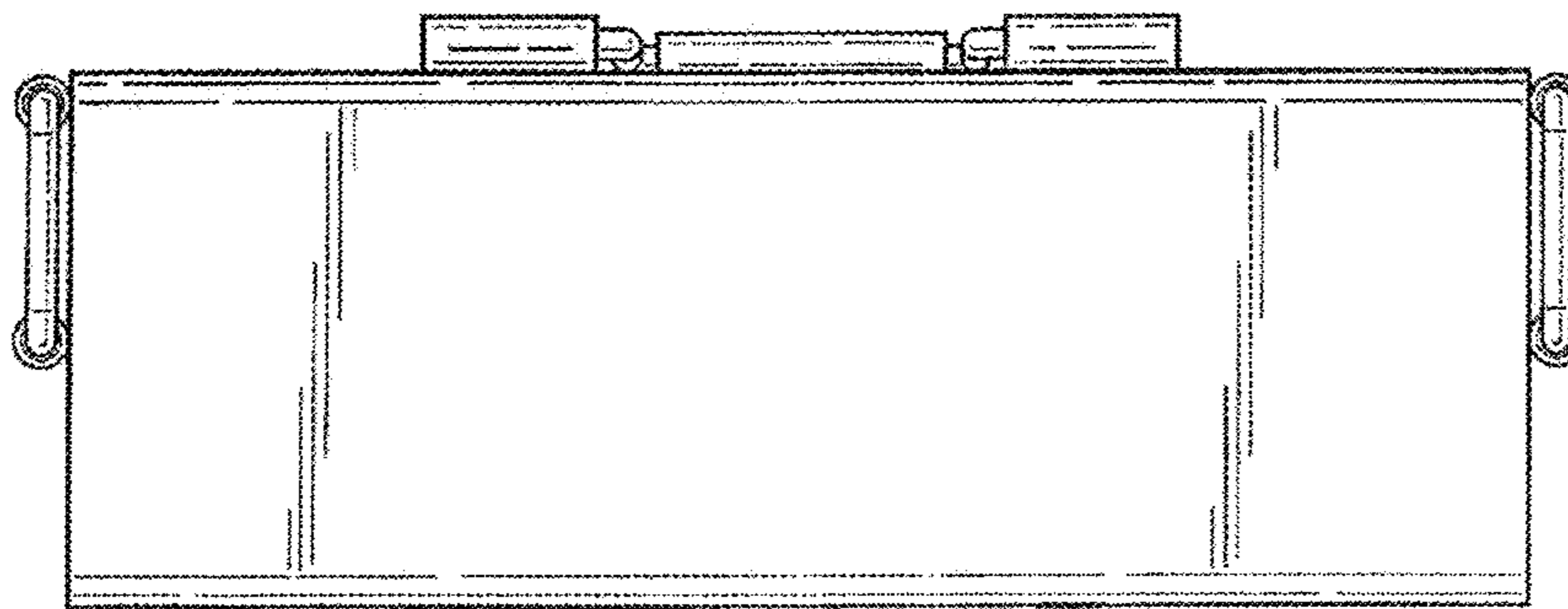


FIG. 3

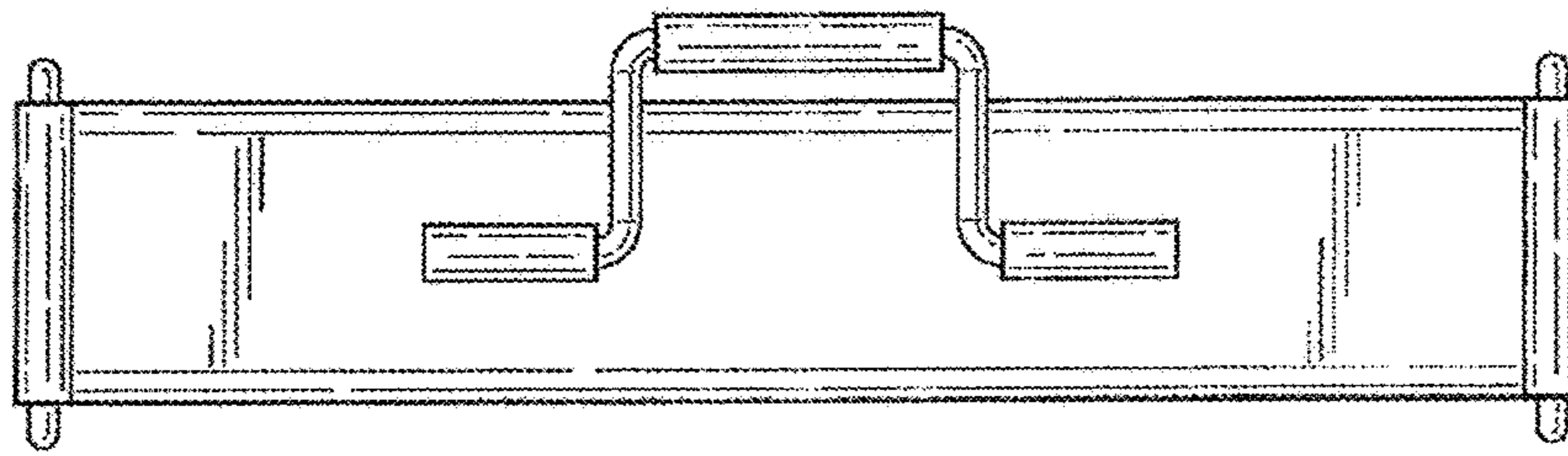


FIG. 4

