



US00D766381S

(12) **United States Design Patent**  
**Crye et al.**

(10) **Patent No.:** **US D766,381 S**  
(45) **Date of Patent:** **\*\* Sep. 13, 2016**

(54) **TOY GUN**

D649,202 S \* 11/2011 En ..... D21/573  
D687,905 S \* 8/2013 Hadley ..... D21/573  
D745,611 S \* 12/2015 Chu ..... D21/573

(71) Applicants: **Caleb Clark Crye**, Brooklyn, NY  
(US); **Eric C. Burt**, Brooklyn, NY (US)

(72) Inventors: **Caleb Clark Crye**, Brooklyn, NY  
(US); **Eric C. Burt**, Brooklyn, NY (US)

(73) Assignee: **VANTAGE LLC**, Nashville, TN (US)

(\*\*) Term: **14 Years**

(21) Appl. No.: **29/514,176**

(22) Filed: **Jan. 8, 2015**

(51) **LOC (10) Cl.** ..... **21-01**

(52) **U.S. Cl.**  
USPC ..... **D21/573**

(58) **Field of Classification Search**  
USPC ..... D21/333, 401, 461, 567, 568, 570-575;  
D14/418; D22/100, 101, 104, 105,  
D22/108-110; 124/16, 26, 27, 28, 29, 54,  
124/73-77; 222/78, 79; 42/54, 57, 58;  
446/23, 182, 192, 401, 403, 405-407,  
446/473, 475

CPC ..... F41B 11/89; F41B 7/08; F41C 7/00;  
F41C 7/11; F41C 7/12

See application file for complete search history.

(56) **References Cited**

**U.S. PATENT DOCUMENTS**

4,156,981 A	6/1979	Lusk	
D516,660 S *	3/2006	Murello	D22/100
D584,373 S *	1/2009	Young	D22/103
7,523,578 B2	4/2009	Ghisoni	
D606,614 S *	12/2009	Fitzpatrick	D22/103
D638,887 S *	5/2011	En	D21/573
D641,824 S *	7/2011	Gridelet	D22/103
D648,811 S *	11/2011	En	D21/573

**OTHER PUBLICATIONS**

MM-1 40mm grenade launcher (USA), <http://world.guns.ru/grenade/usa/mm-1-e.html>, accessed Jan. 6, 2014.

Milkor MGL revolver type grenade launcher (South Africa), <http://world.guns.ru/grenade/safr/milkor-mgl-e.html>, accessed Jan. 6, 2014.

Armsel Striker, [http://en.wikipedia.org/wiki/Armsel\\_Striker](http://en.wikipedia.org/wiki/Armsel_Striker), accessed Aug. 3, 2012.

M26 Modular Accessory Shotgun System, [http://en.wikipedia.org/wiki/M26\\_Modular\\_Accessory\\_Shotgun\\_System](http://en.wikipedia.org/wiki/M26_Modular_Accessory_Shotgun_System), accessed Aug. 3, 2012.

\* cited by examiner

*Primary Examiner* — Cynthia M Chin

(74) *Attorney, Agent, or Firm* — Stiennon & Stiennon

(57) **CLAIM**

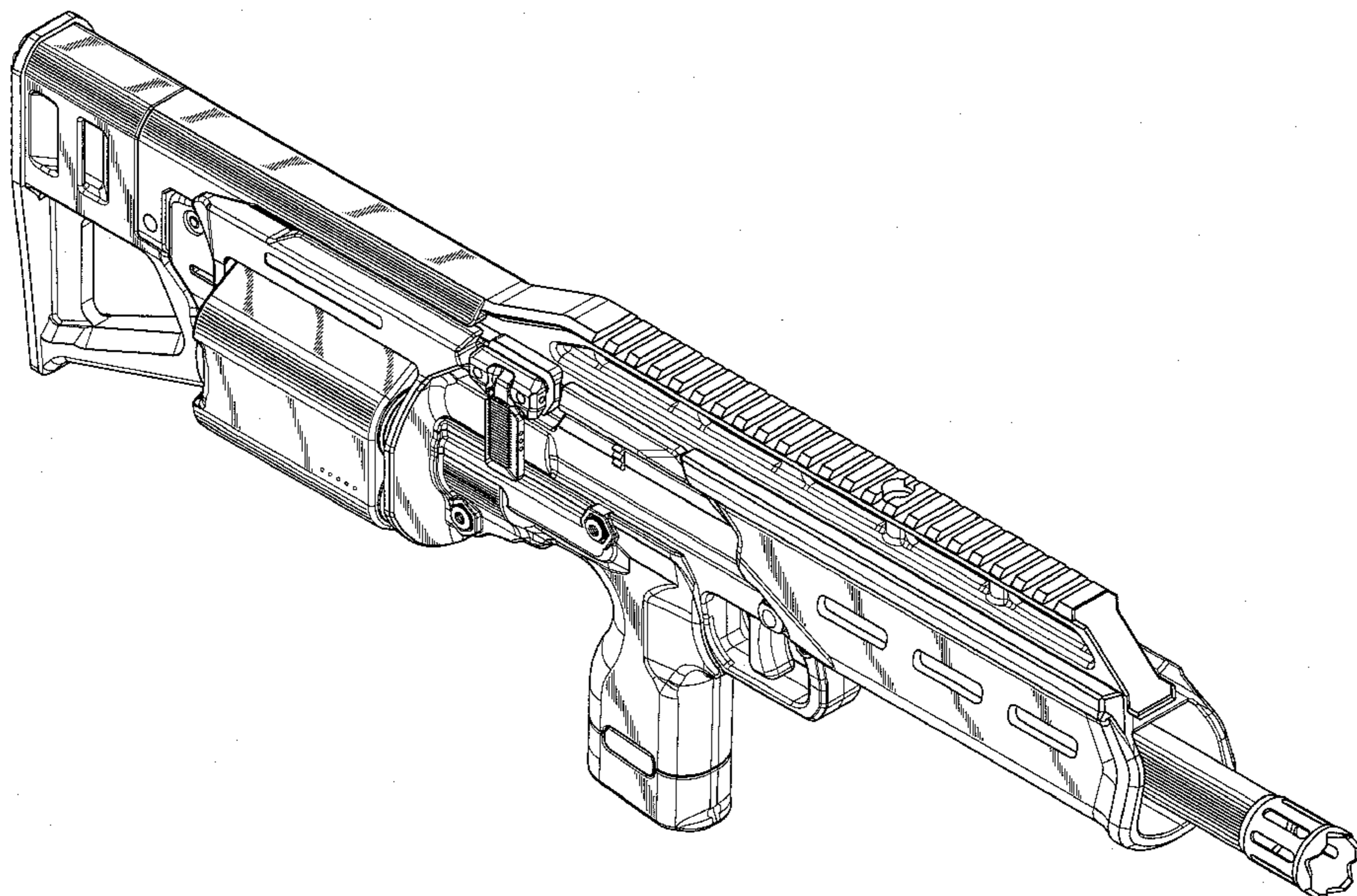
The ornamental design for a toy gun, as shown and described.

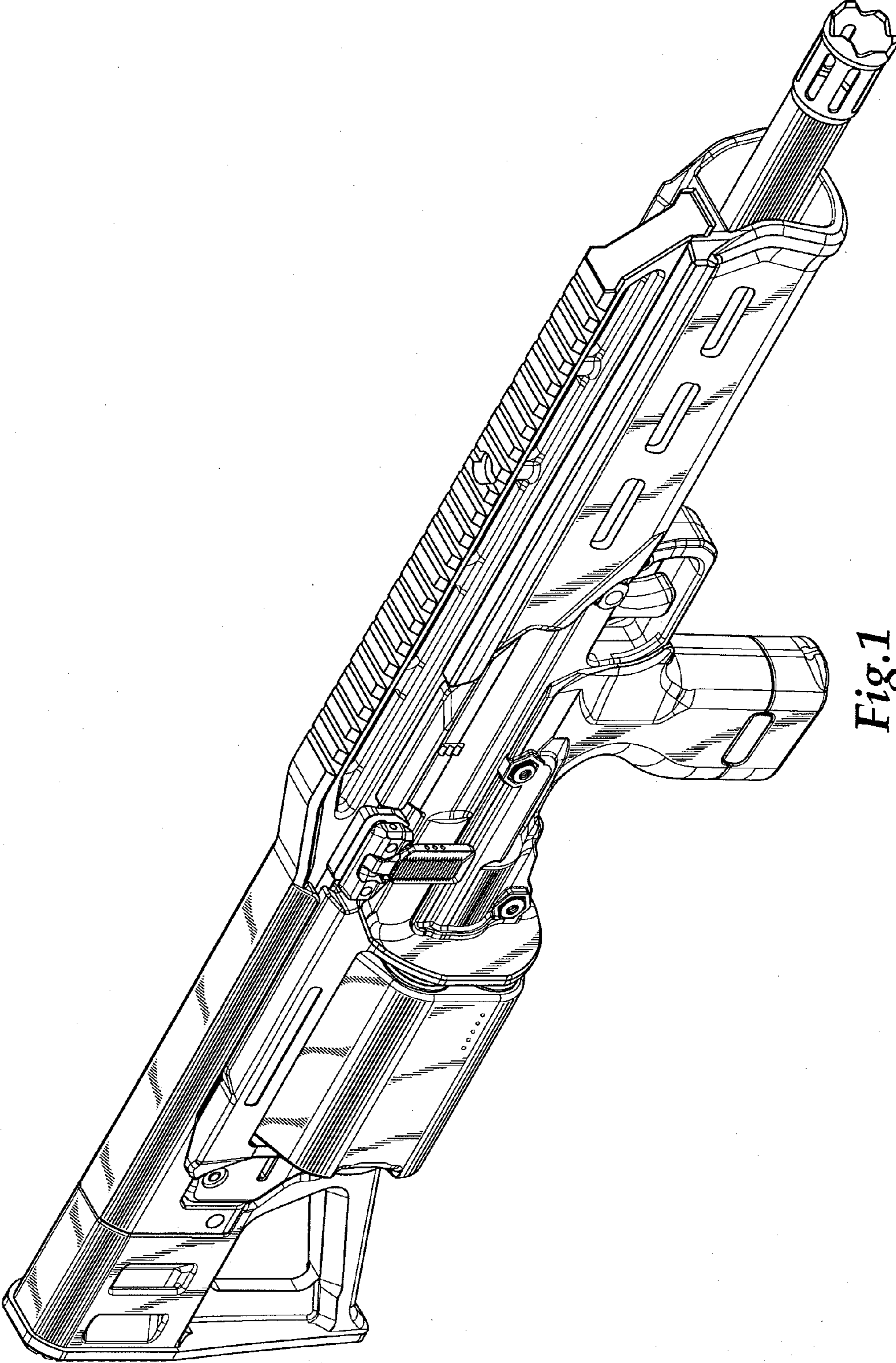
**DESCRIPTION**

FIG. 1 is an isometric view of the toy gun of our invention; FIG. 2 is a left side view thereof; FIG. 3 is a top view thereof; FIG. 4 is a right side view thereof; FIG. 5 is a bottom view thereof; FIG. 6 is a front view thereof; and, FIG. 7 is a rear view thereof.

The portions of the article shown in broken lines form no part of the claimed design.

**1 Claim, 4 Drawing Sheets**





*Fig. 1*

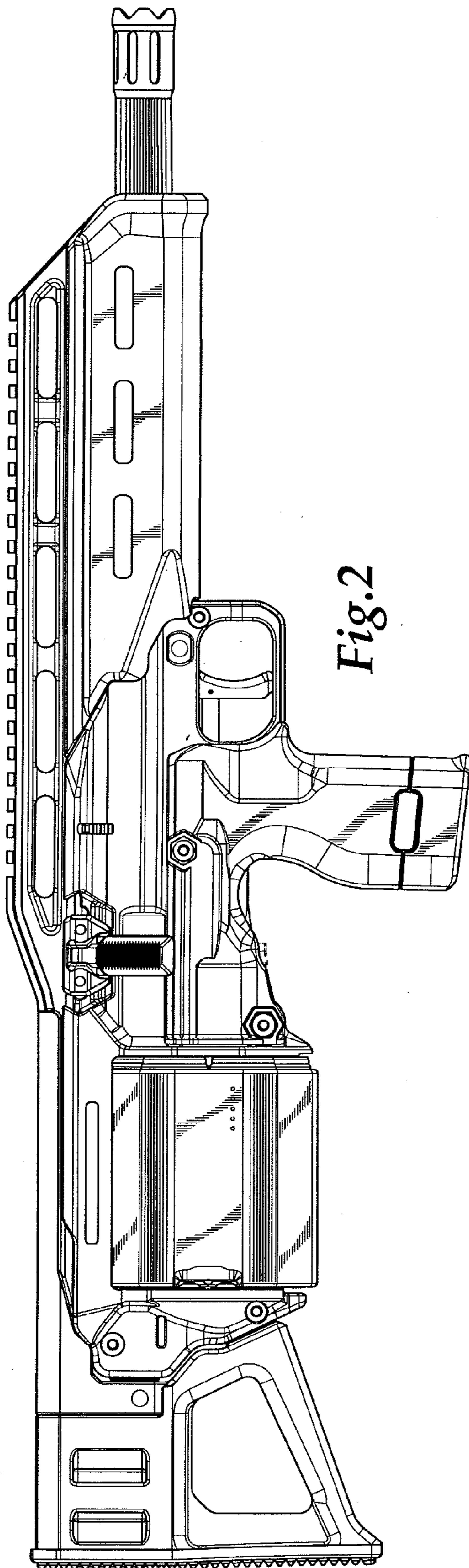


Fig. 2

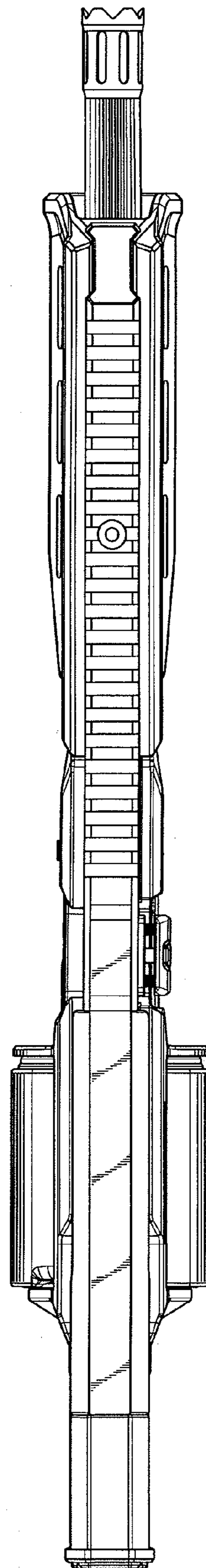
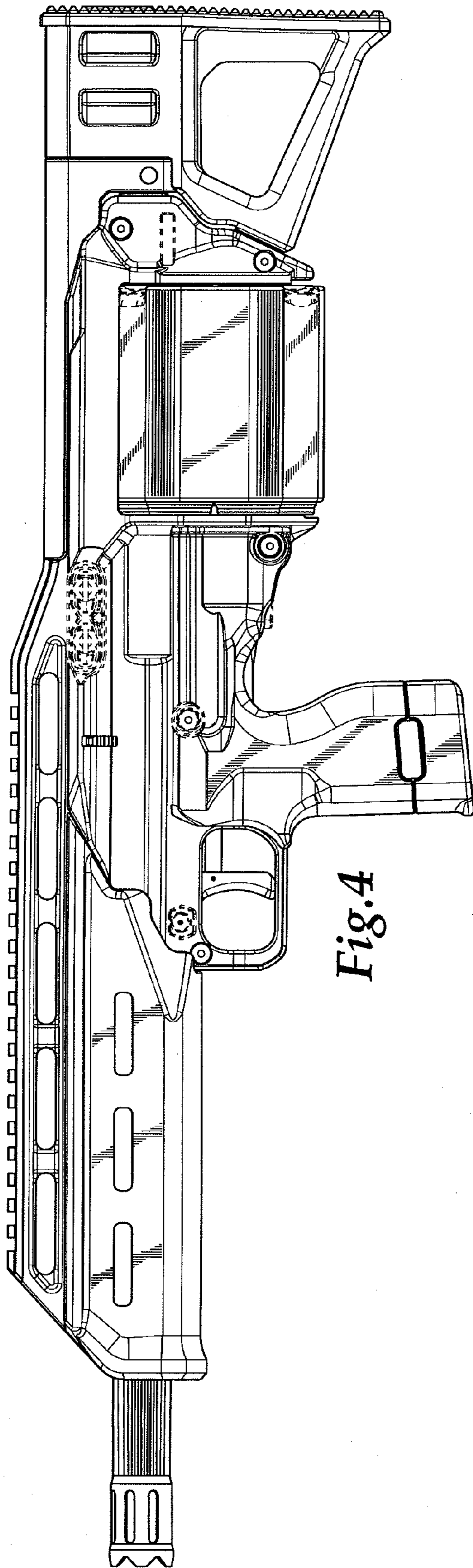
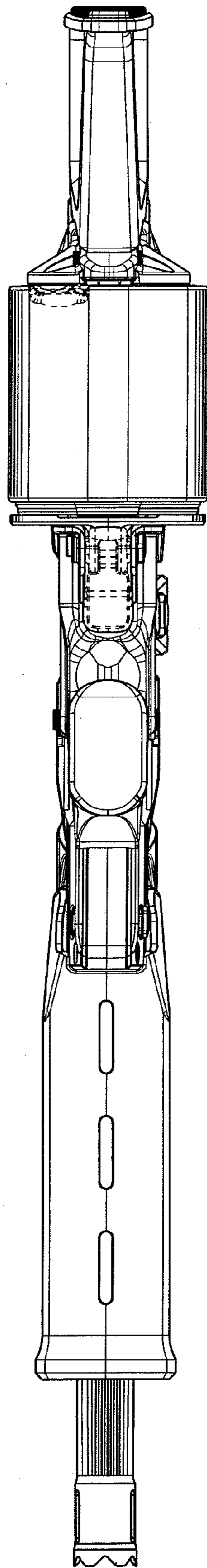


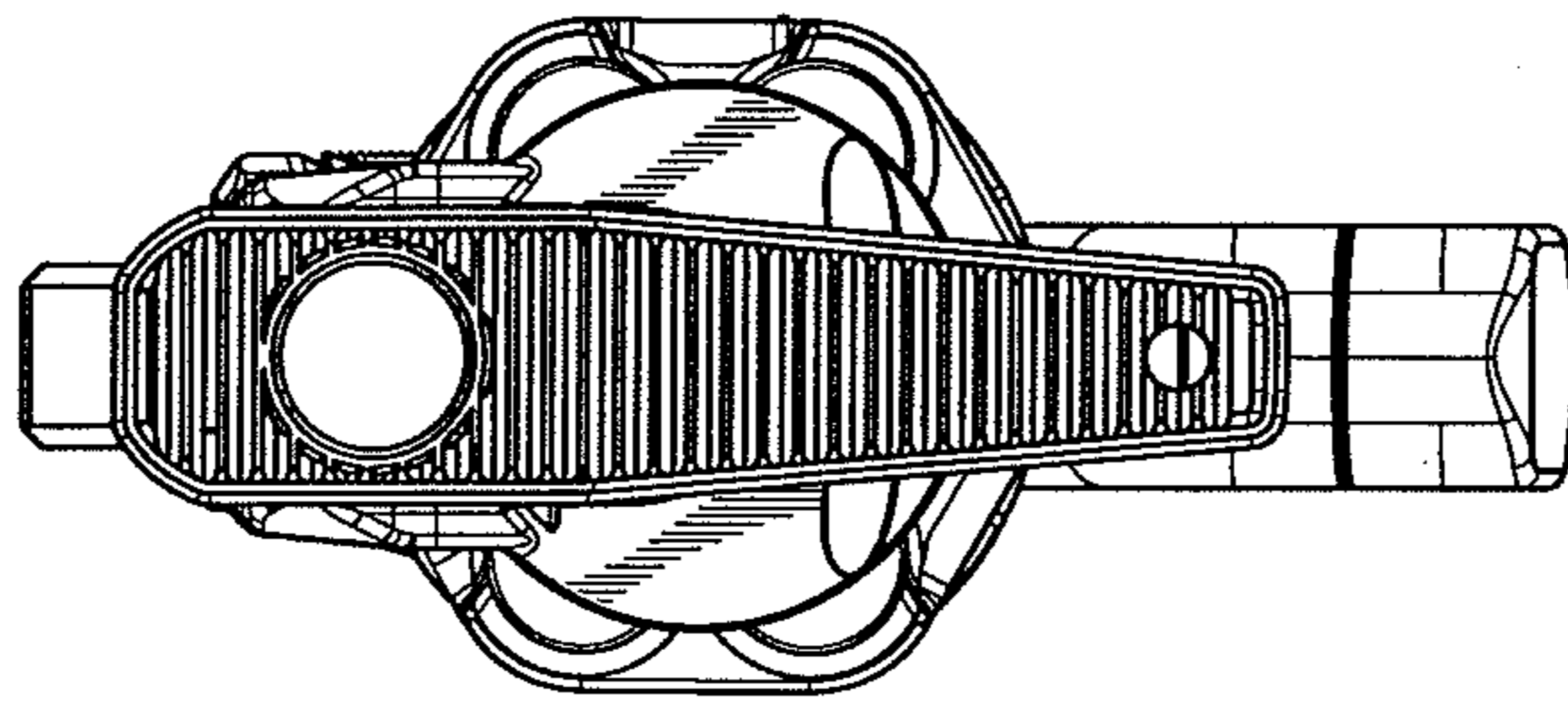
Fig. 3



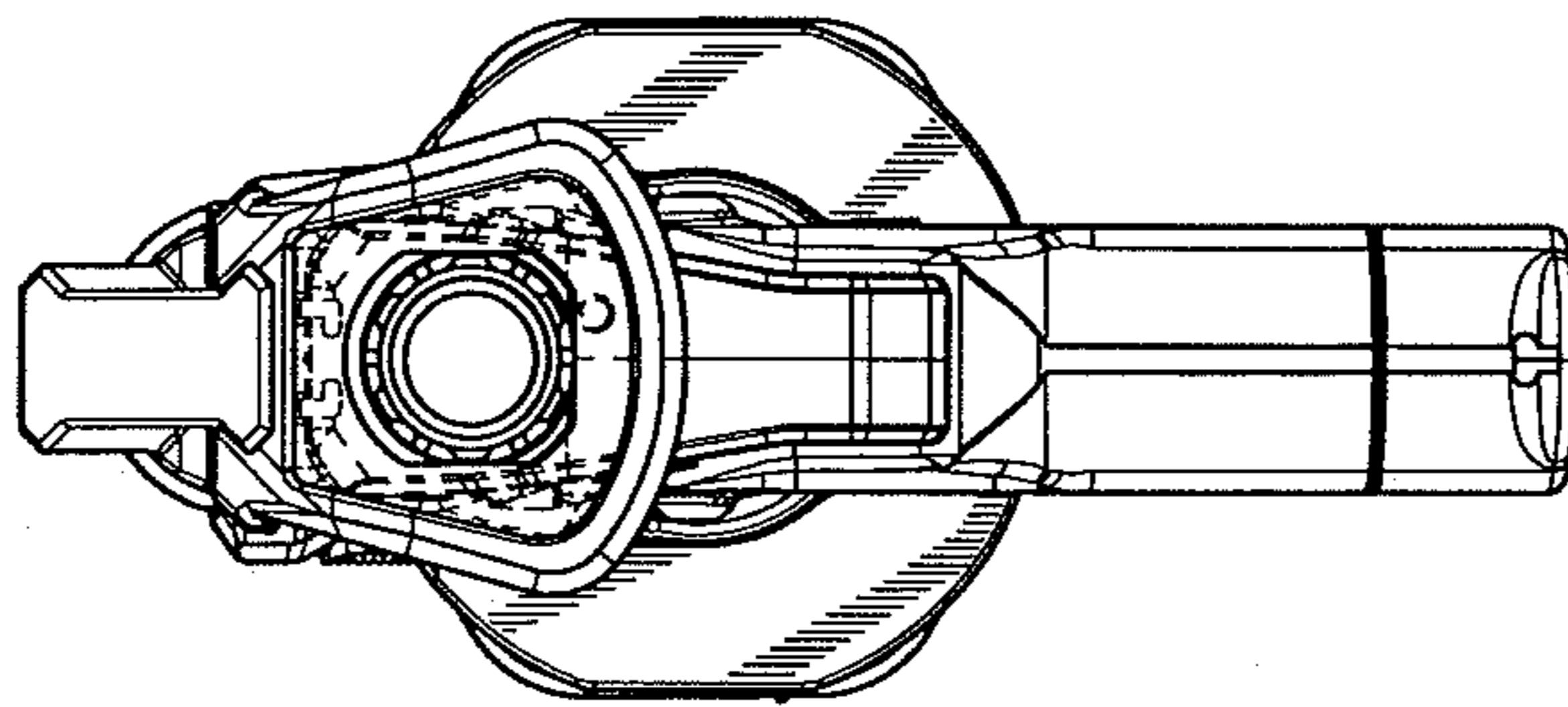
*Fig. 4*



*Fig. 5*



*Fig. 7*



*Fig. 6*