

US00D766380S

(12) **United States Design Patent** (10) **Patent No.:** **US D766,380 S**
Crye et al. (45) **Date of Patent:** **** Sep. 13, 2016**

(54) **TOY GUN**
(71) Applicants: **Caleb Clark Crye**, Brooklyn, NY (US); **Eric C. Burt**, Brooklyn, NY (US)
(72) Inventors: **Caleb Clark Crye**, Brooklyn, NY (US); **Eric C. Burt**, Brooklyn, NY (US)
(73) Assignee: **VANTAGE LLC**, Nashville, TN (US)
(**) Term: **14 Years**
(21) Appl. No.: **29/514,046**
(22) Filed: **Jan. 8, 2015**
(51) **LOC (10) Cl.** **21-01**
(52) **U.S. Cl.**
USPC **D21/573**
(58) **Field of Classification Search**
USPC D21/333, 401, 461, 567, 568, 570-575;
D14/418; D22/100, 101, 104, 105,
D22/108-110; 124/16, 26, 27, 28, 29, 54,
124/73-77; 222/78, 79; 42/54, 57, 58;
446/23, 182, 192, 401, 403, 405-407,
446/473, 475
CPC F41B 11/89; F41B 7/08; F41C 7/00;
F41C 7/11; F41C 7/12
See application file for complete search history.

D733,223 S * 6/2015 Chu D21/573
D746,396 S * 12/2015 Folkestad, II D22/103
2008/0187888 A1* 8/2008 Jones F41A 33/02
434/21
2012/0297656 A1* 11/2012 Langevin F41A 3/66
42/16

OTHER PUBLICATIONS

MM-1 40mm grenade launcher (USA), <http://world.guns.ru/grenade/usa/mm-1-e.html>, accessed Jan. 6, 2014.
Milkor MGL revolver type grenade launcher (South Africa), <http://world.guns.ru/grenade/safr/milkor-mgl-e.html>, accessed Jan. 6, 2014.
Armsel Striker, http://en.wikipedia.org/wiki/Armsel_Striker, accessed Aug. 3, 2012.
M26 Modular Accessory Shotgun System, http://en.wikipedia.org/wiki/M26_Modular_Accessory_Shotgun_System, accessed Aug. 3, 2012.

* cited by examiner

Primary Examiner — Cynthia M Chin
(74) *Attorney, Agent, or Firm* — Stiennon & Stiennon

(57) **CLAIM**
The ornamental design for a toy gun, as shown and described.

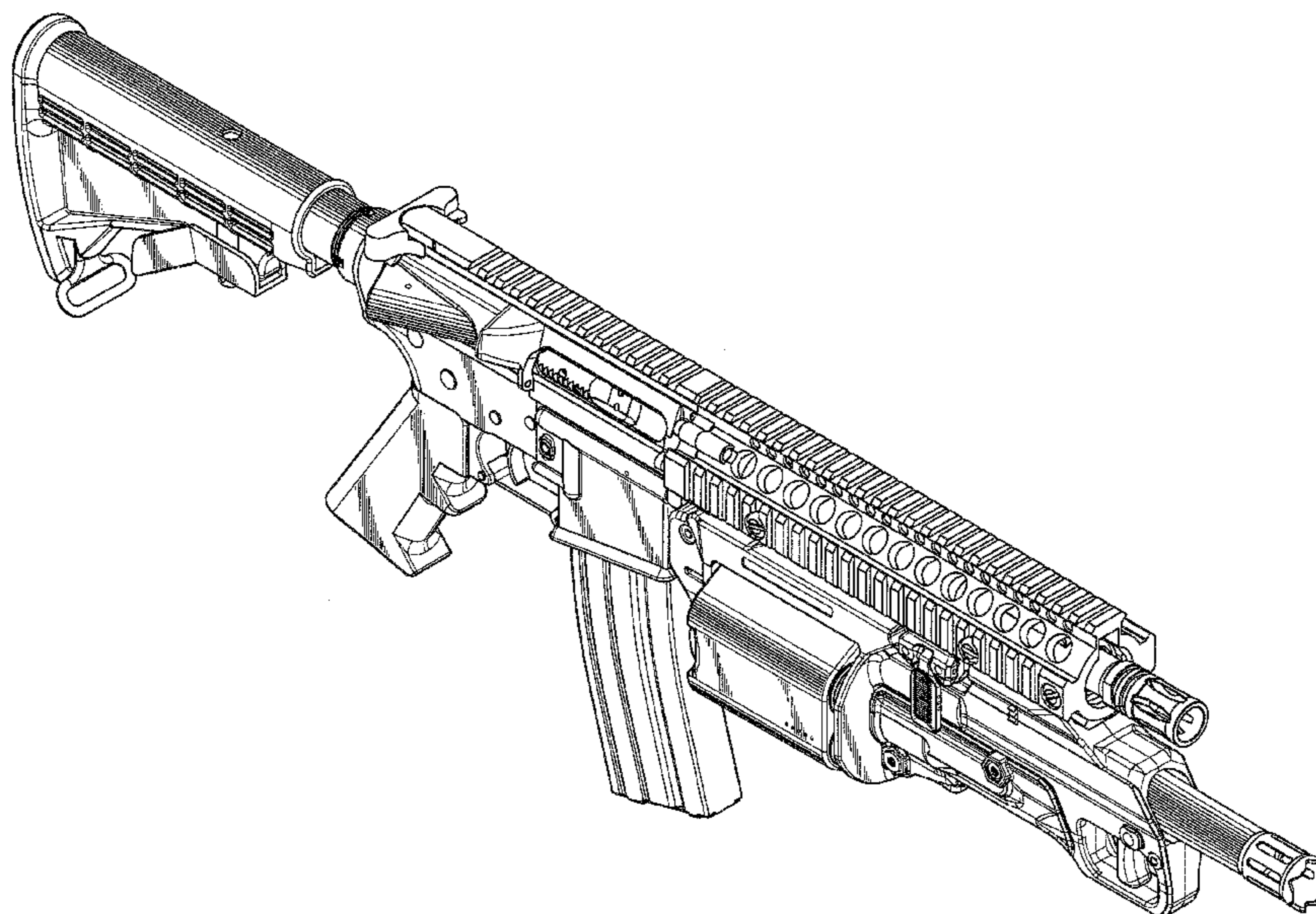
DESCRIPTION

FIG. 1 is an isometric view of the toy gun of our invention; FIG. 2 is a left side view thereof; FIG. 3 is a top view thereof; FIG. 4 is a right side view thereof; FIG. 5 is a bottom view thereof; FIG. 6 is a front view thereof; and, FIG. 7 is a rear view thereof. The portions of the article shown in broken lines form no part of the claimed design.

1 Claim, 4 Drawing Sheets

(56) **References Cited**
U.S. PATENT DOCUMENTS

4,156,981 A 6/1979 Lusk
7,523,578 B2 4/2009 Ghisoni
D641,825 S * 7/2011 Gridelet D22/103
D667,072 S * 9/2012 Kriegleder D22/103
D680,611 S * 4/2013 Emde D22/103
D721,779 S * 1/2015 Emde D22/103
D724,169 S * 3/2015 Emde D22/103
D729,880 S * 5/2015 Nichols D21/573



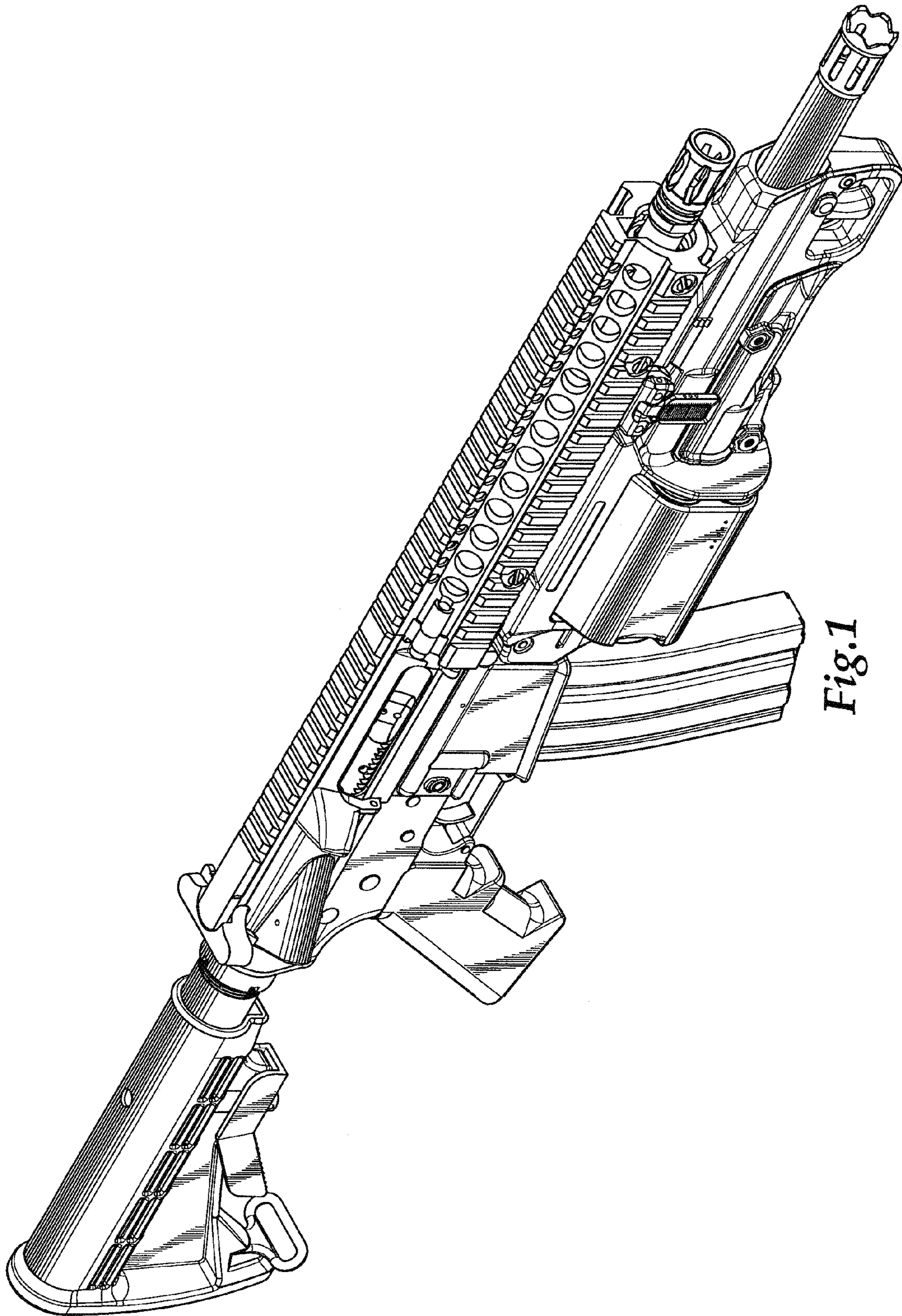


Fig. 1

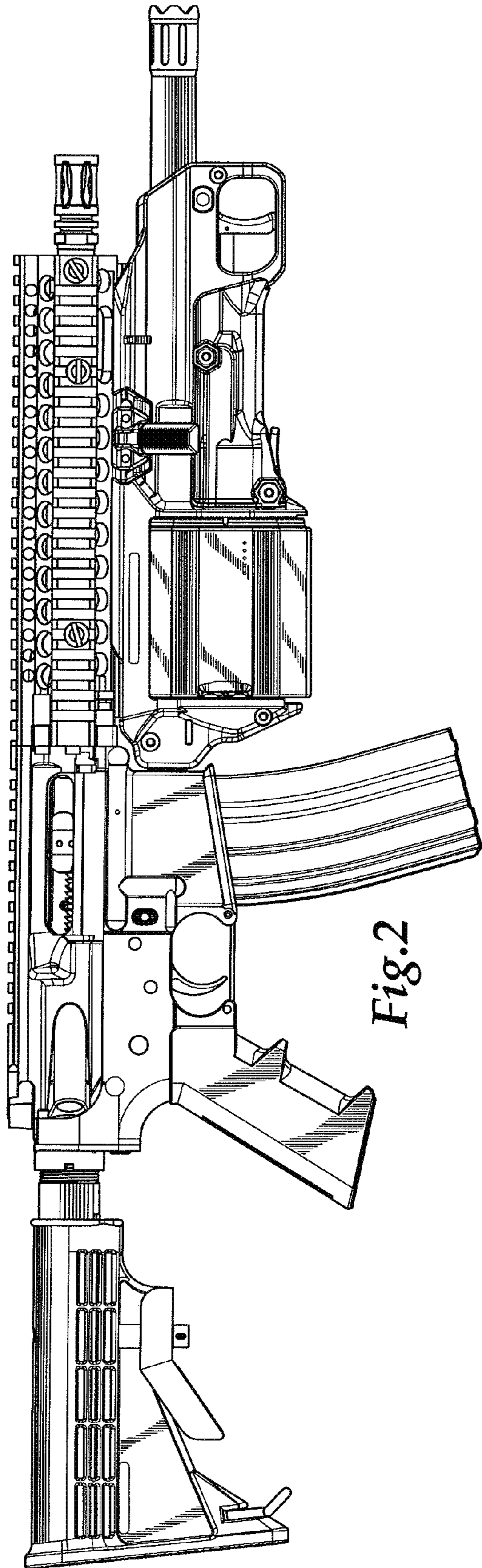


Fig. 2

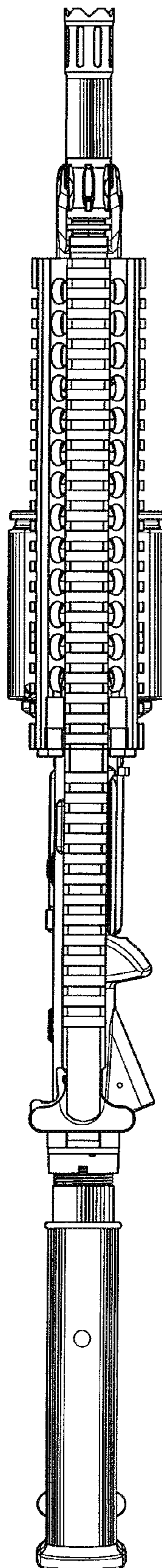


Fig. 3

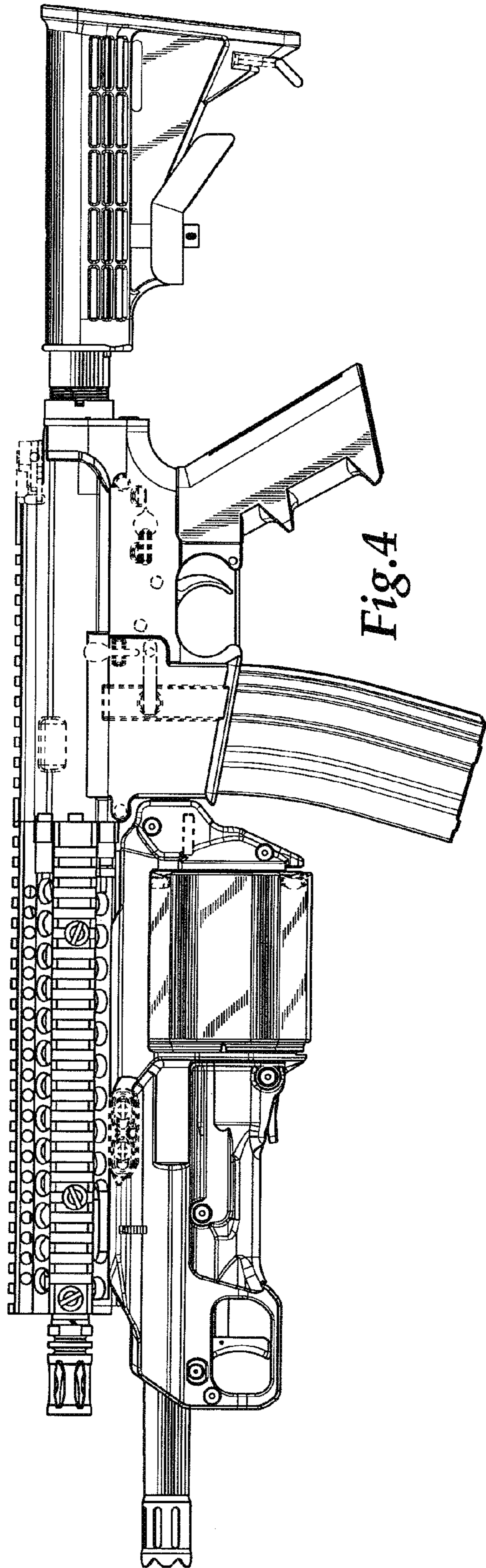


Fig. 4

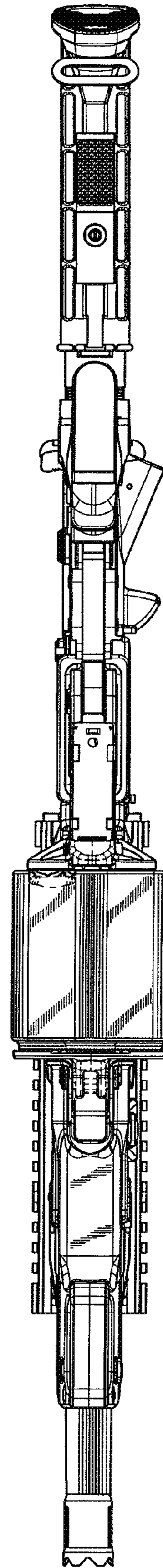


Fig. 5

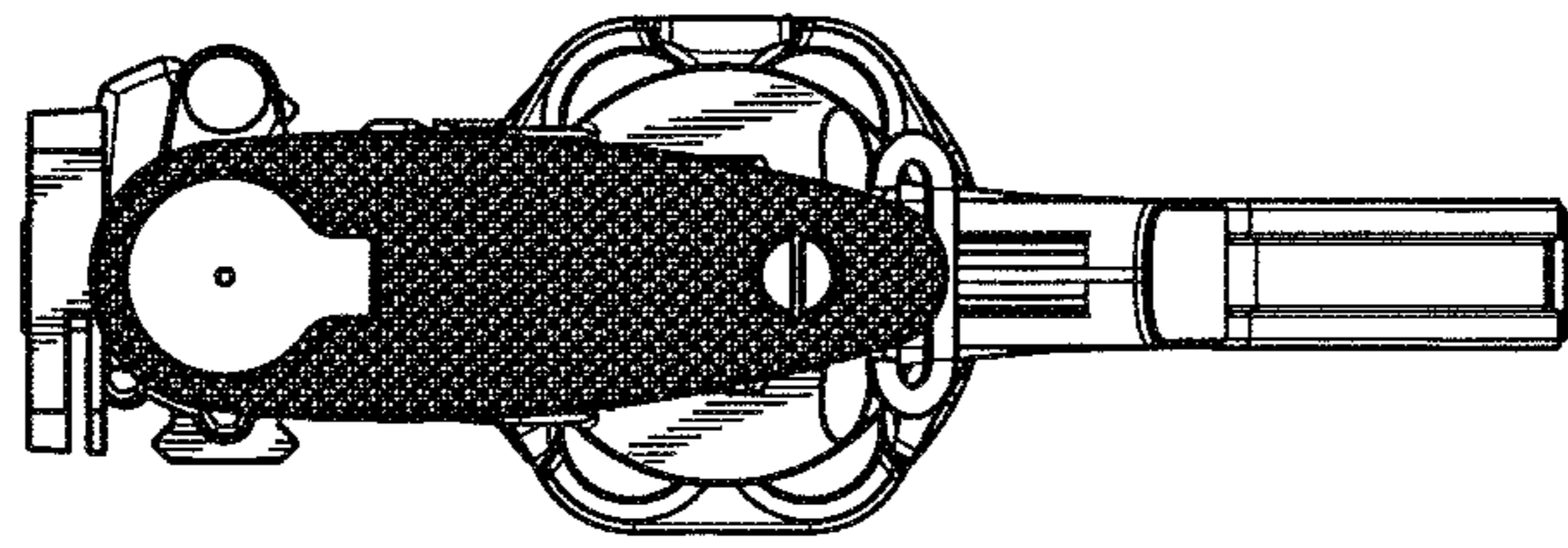


Fig. 7

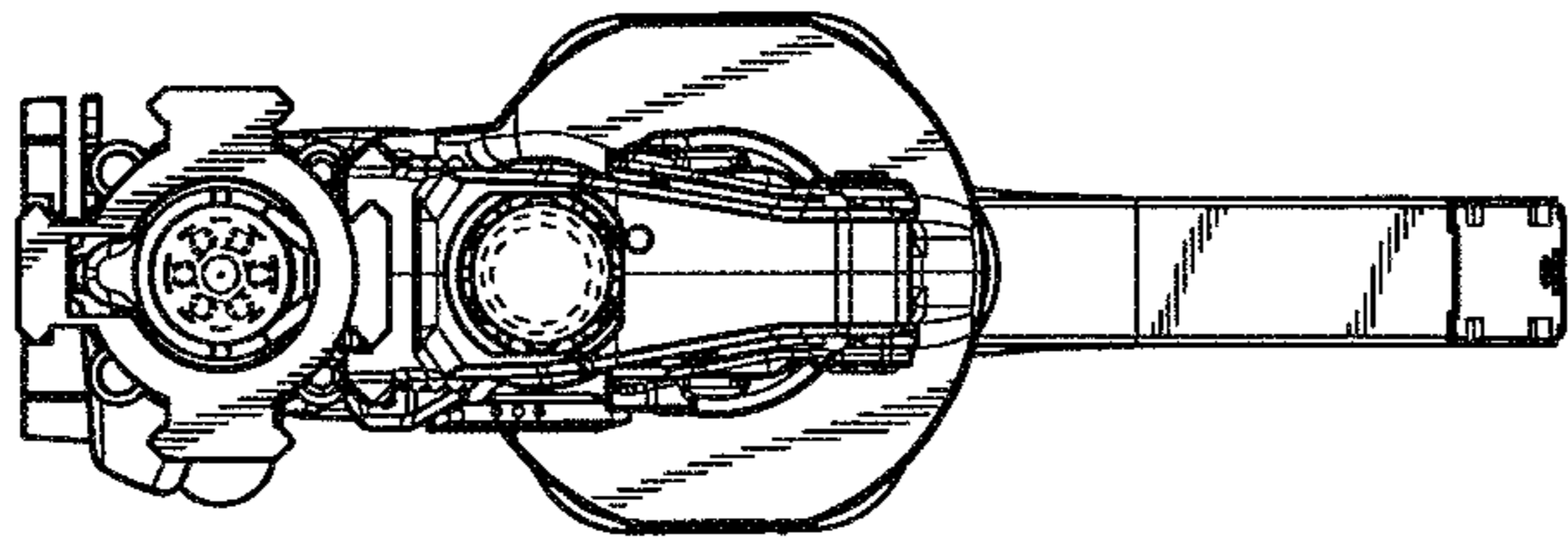


Fig. 6