

US00D766379S

(12) **United States Design Patent** (10) **Patent No.:** **US D766,379 S**
Marcil et al. (45) **Date of Patent:** **** Sep. 13, 2016**

- (54) **CONSTRUCTION SET ELEMENT**
- (71) Applicant: **MEGA Brands Inc.**, Montreal (CA)
- (72) Inventors: **David Marcil**, Montreal (CA);
Geneviève Côté, St-Constant (CA);
William Carrière, Beauharnois (CA)
- (73) Assignee: **MEGA Brands Inc.**, Montreal, Quebec (CA)
- (**) Term: **15 Years**
- (21) Appl. No.: **29/530,400**
- (22) Filed: **Jun. 16, 2015**
- (51) **LOC (10) Cl.** **21-01**
- (52) **U.S. Cl.**
USPC **D21/497**
- (58) **Field of Classification Search**
USPC D21/333, 373, 386, 389, 404, 468, 470,
D21/471, 475, 484-505; 446/69, 85,
446/102-128; 434/167, 208, 259, 403;
273/153, 156, 160
CPC A63H 33/04; A63H 33/06; A63H 33/062;
A63H 33/08; A63H 33/086; A63H 33/088;
A63H 33/10; A63H 33/101; A63H 33/108;
A63H 33/12; A63F 9/12; A63F 9/1224
See application file for complete search history.

- D345,591 S 3/1994 Krentz
- D354,527 S * 1/1995 Ryaa D21/497
- D394,467 S * 5/1998 Nielsen D21/497
- D394,472 S 5/1998 Munir
- D537,485 S * 2/2007 Ganderton D21/497
- D701,921 S * 4/2014 Andersen D21/497

OTHER PUBLICATIONS

Excerpt of 2012 Mega Bloks Catalog, 2 pages.
Excerpt of 2011 Mega Bloks Catalog, 4 pages.

* cited by examiner

Primary Examiner — Cynthia M Chin

(74) *Attorney, Agent, or Firm* — Plumsea Law Group, LLC

(57) **CLAIM**

The ornamental design for a construction set element, as shown and described.

DESCRIPTION

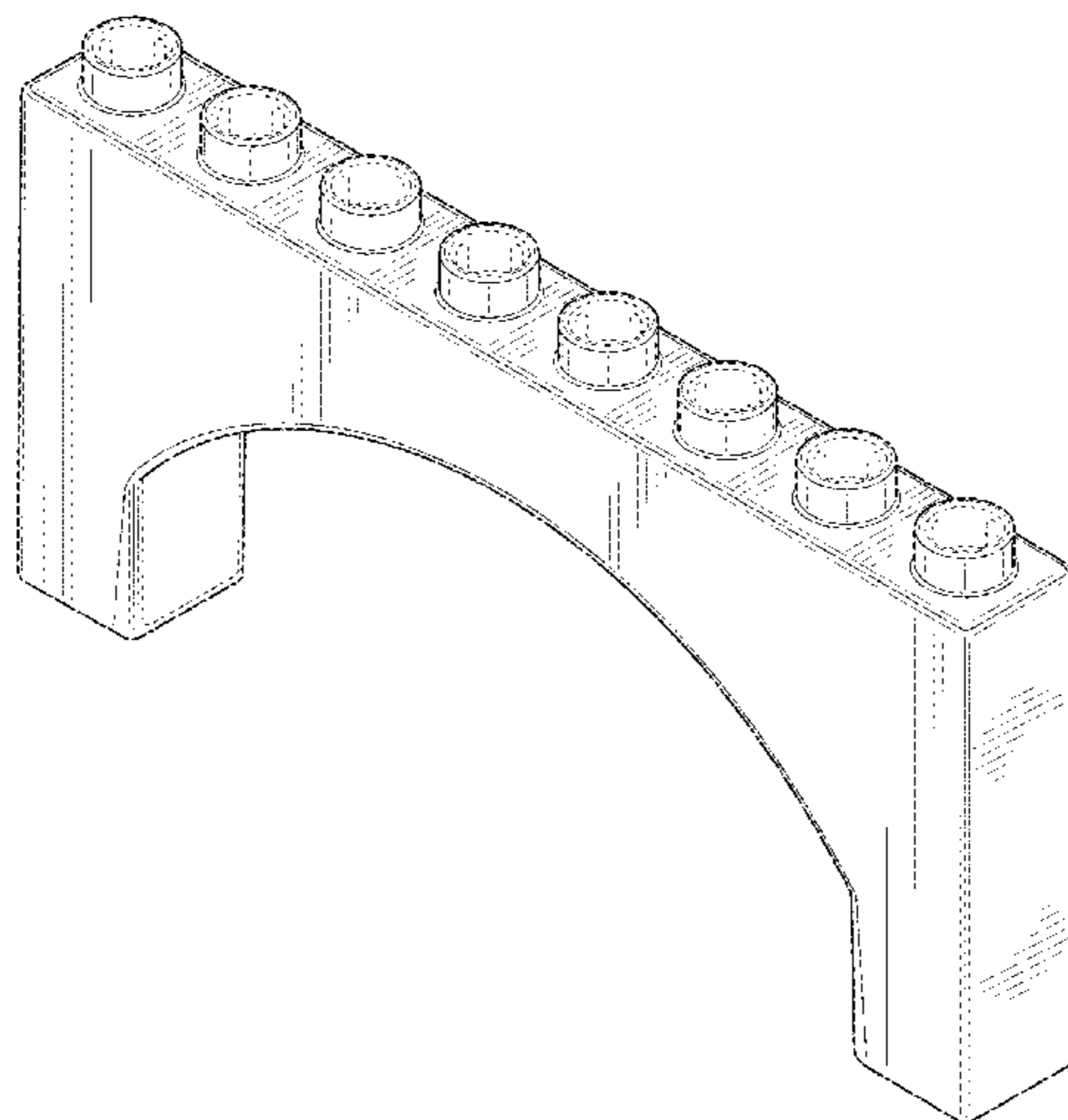
FIG. 1 is a top perspective view of a construction set element showing the new design;
 FIG. 2 is a bottom perspective view of the construction set element of FIG. 1;
 FIG. 3 is a front elevational view of the construction set element of FIG. 1;
 FIG. 4 is a rear elevational view of the construction set element of FIG. 1;
 FIG. 5 is a right side elevational view of the construction set element of FIG. 1;
 FIG. 6 is a left side elevational view of the construction set element of FIG. 1;
 FIG. 7 is a top plan view of the construction set element of FIG. 1; and,
 FIG. 8 is a bottom plan view of the construction set element of FIG. 1.
 The broken lines and unshaded areas form no part of the claimed design.

1 Claim, 6 Drawing Sheets

(56) **References Cited**

U.S. PATENT DOCUMENTS

- 2,143,667 A * 1/1939 Troiel A63H 33/105
446/122
- 2,278,327 A * 3/1942 Magnus A63H 33/108
446/112
- 3,589,057 A * 6/1971 Fechner A63H 33/044
446/476
- D303,819 S 10/1989 Frederiksen
- D312,104 S * 11/1990 Andersen D21/497



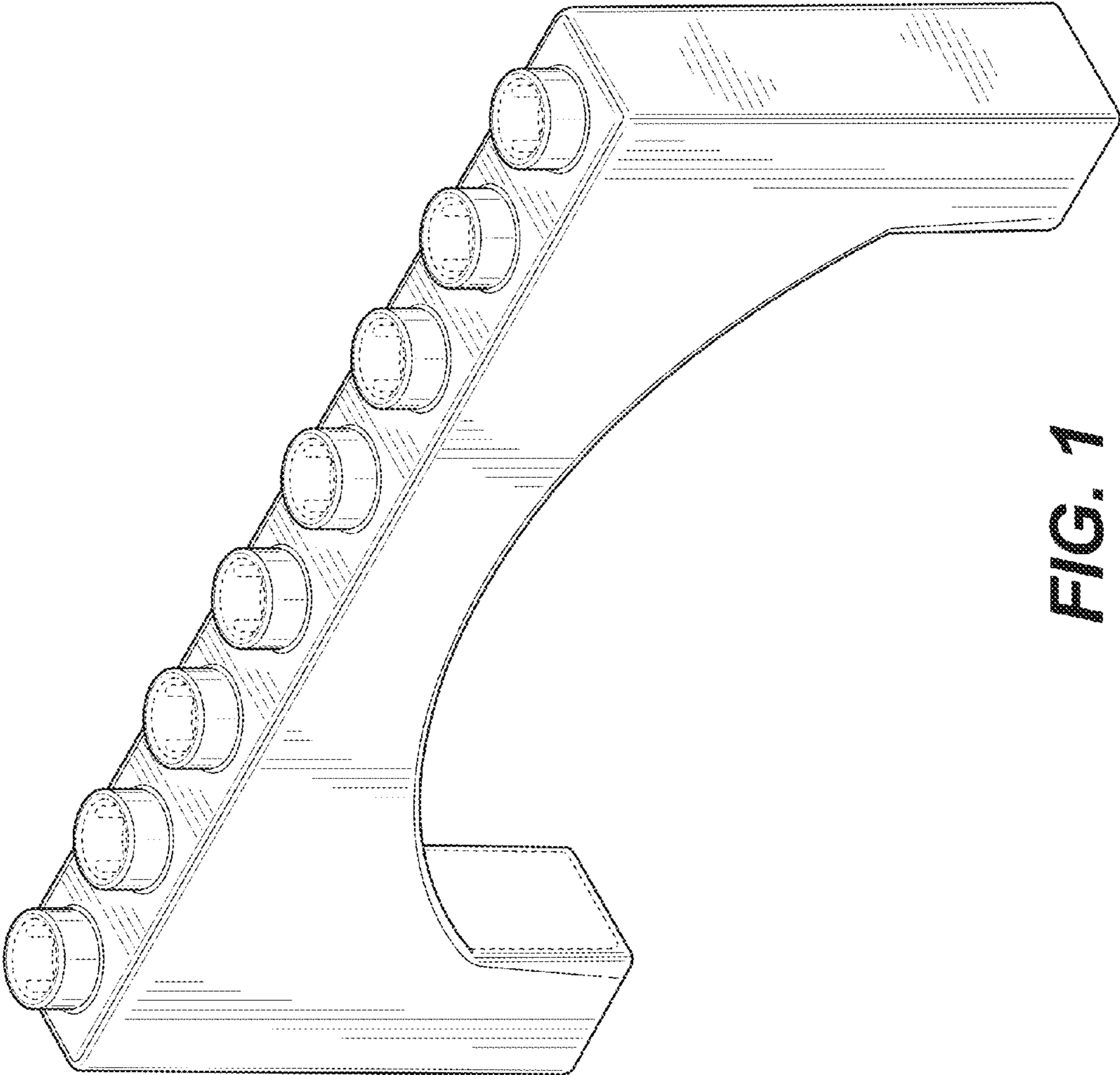


FIG. 1

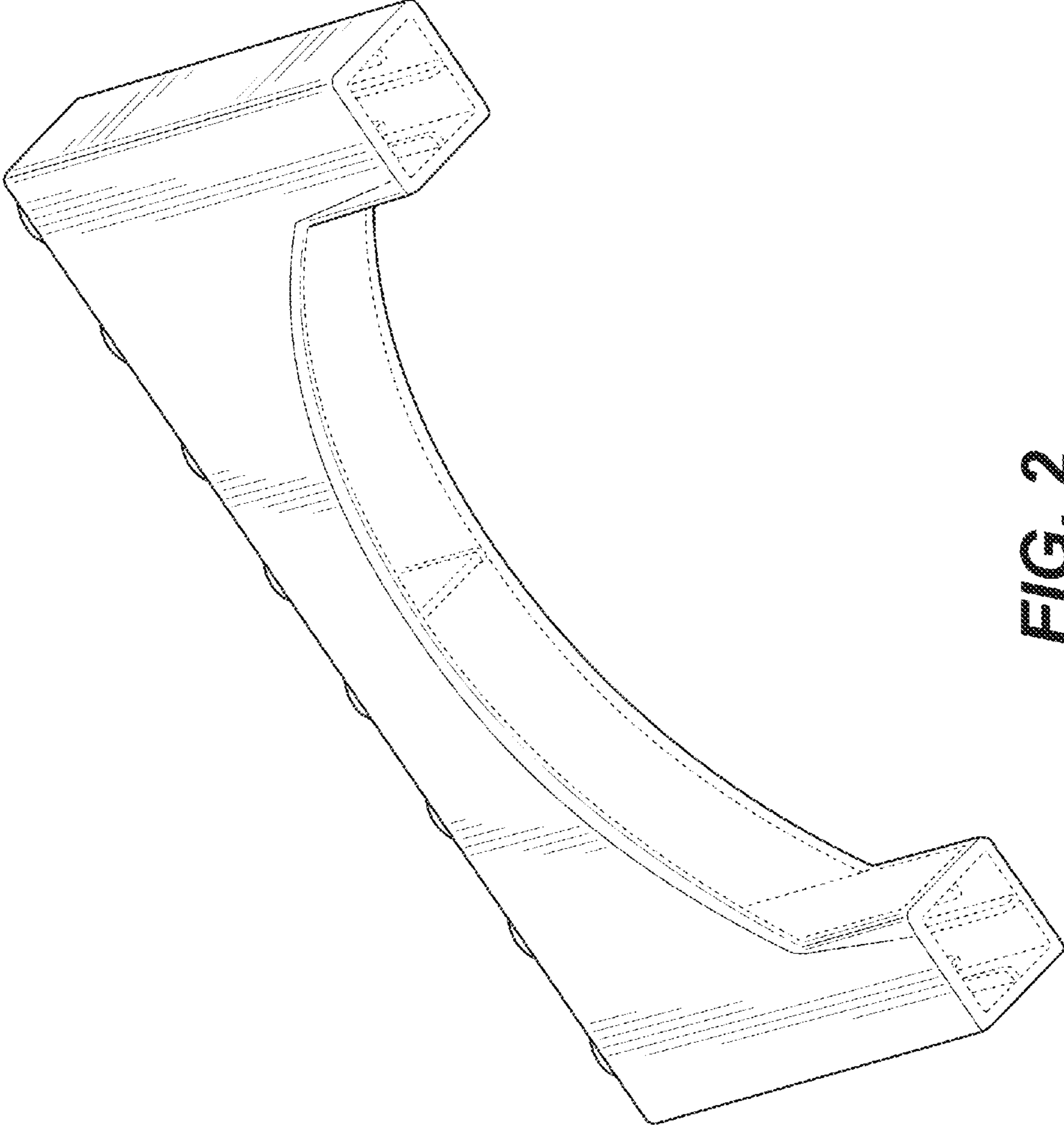


FIG. 2

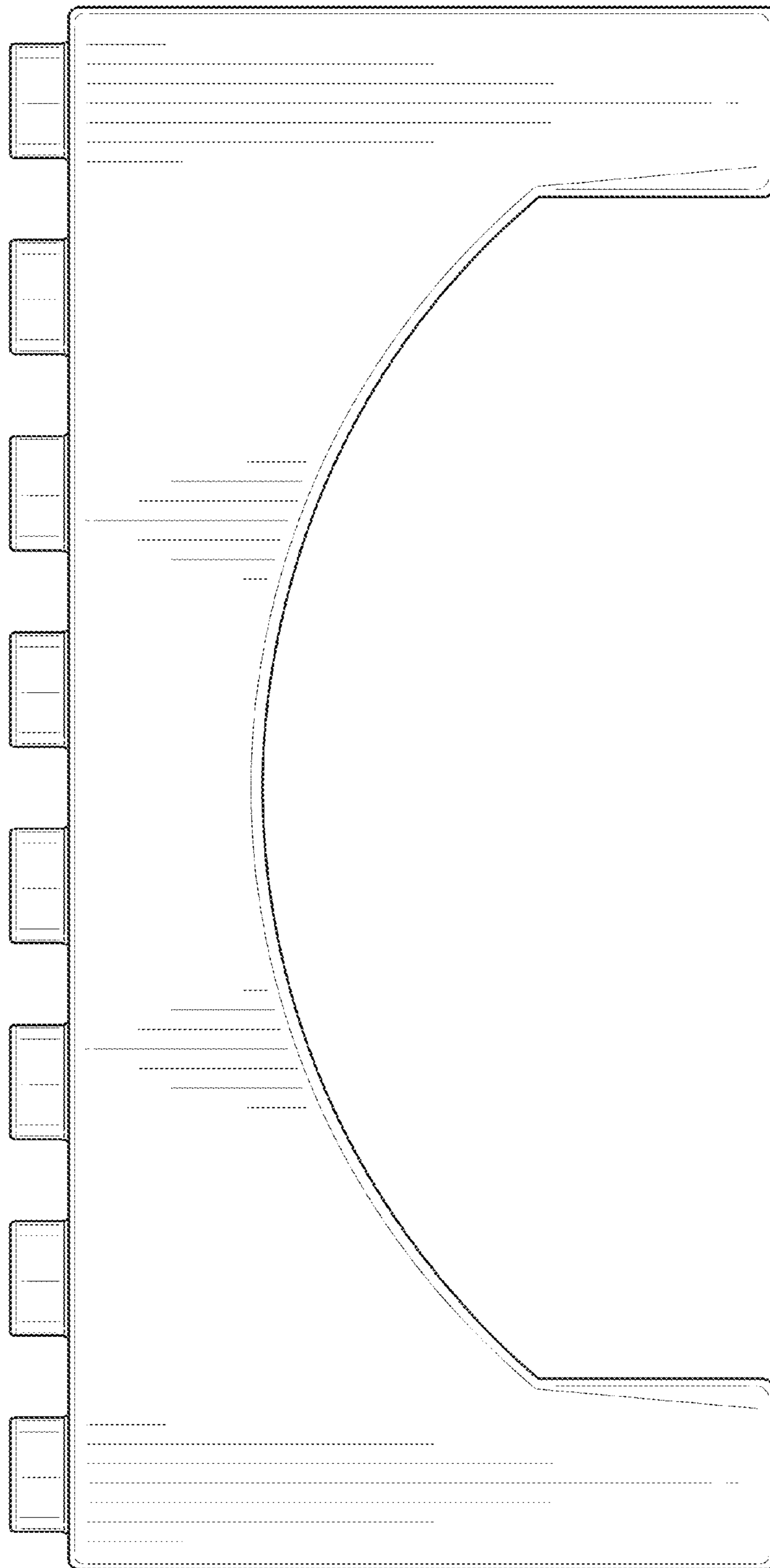


FIG. 3

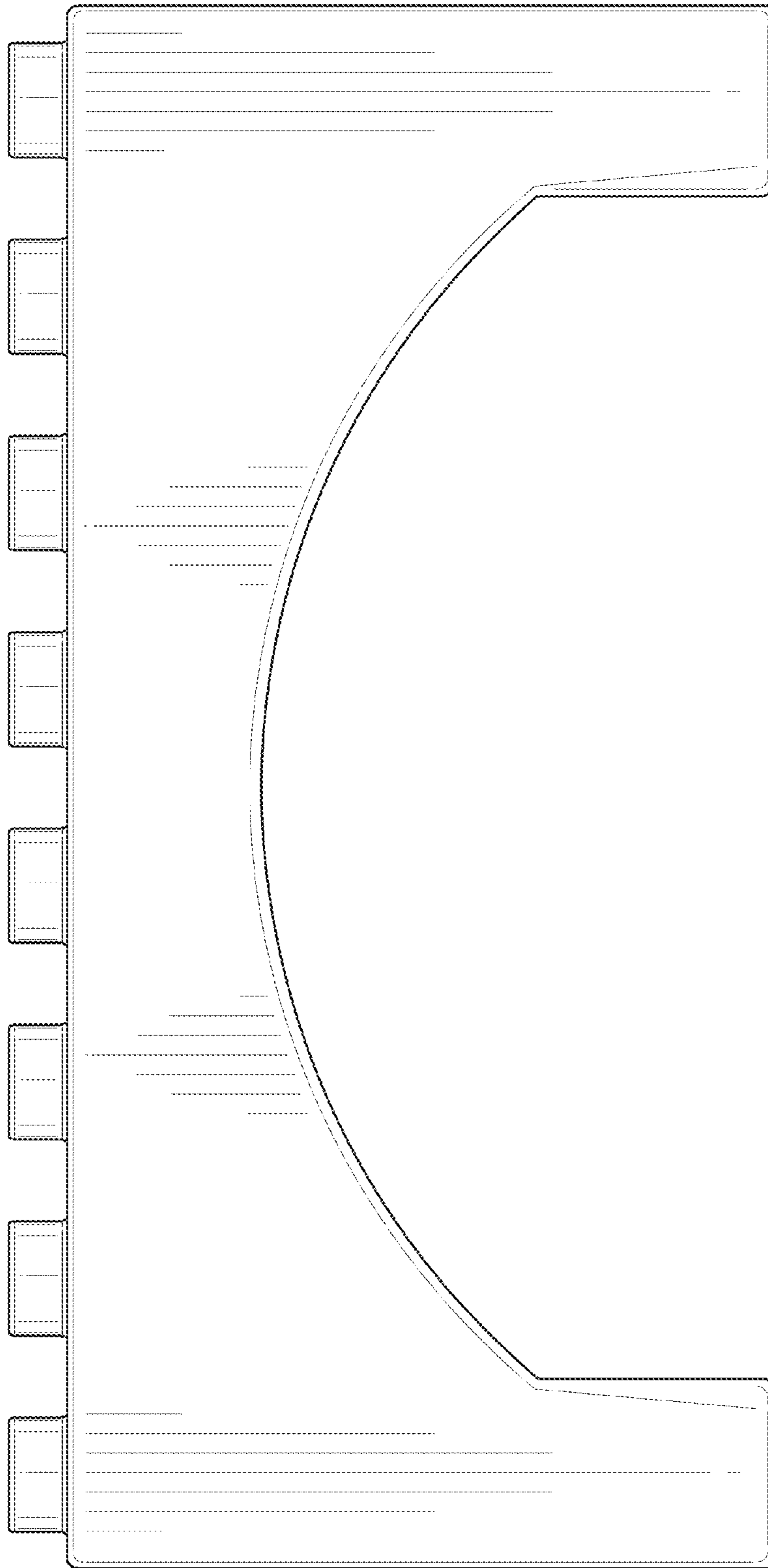


FIG. 4

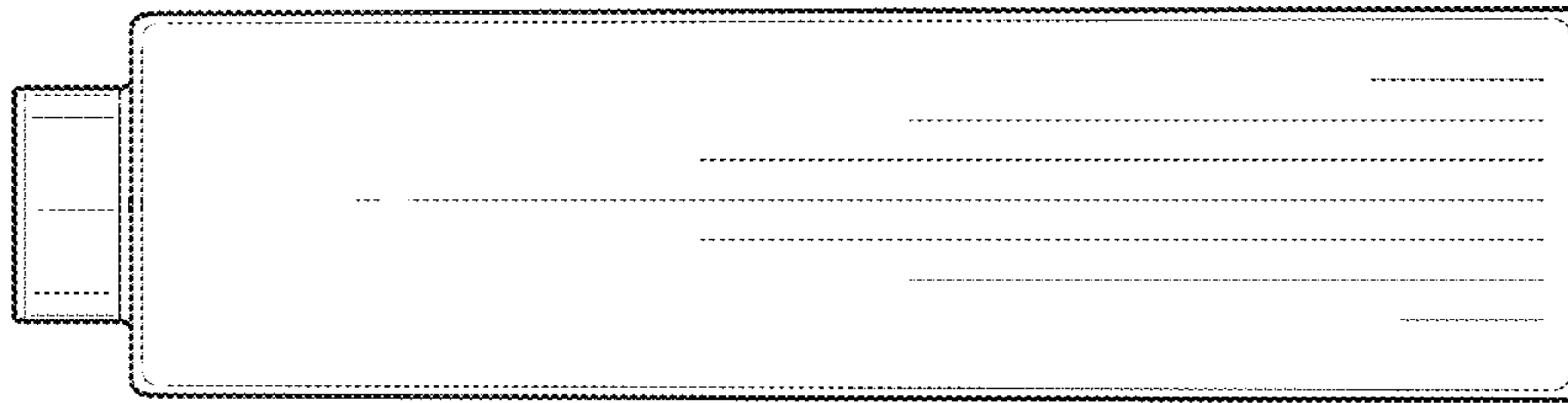


FIG. 6

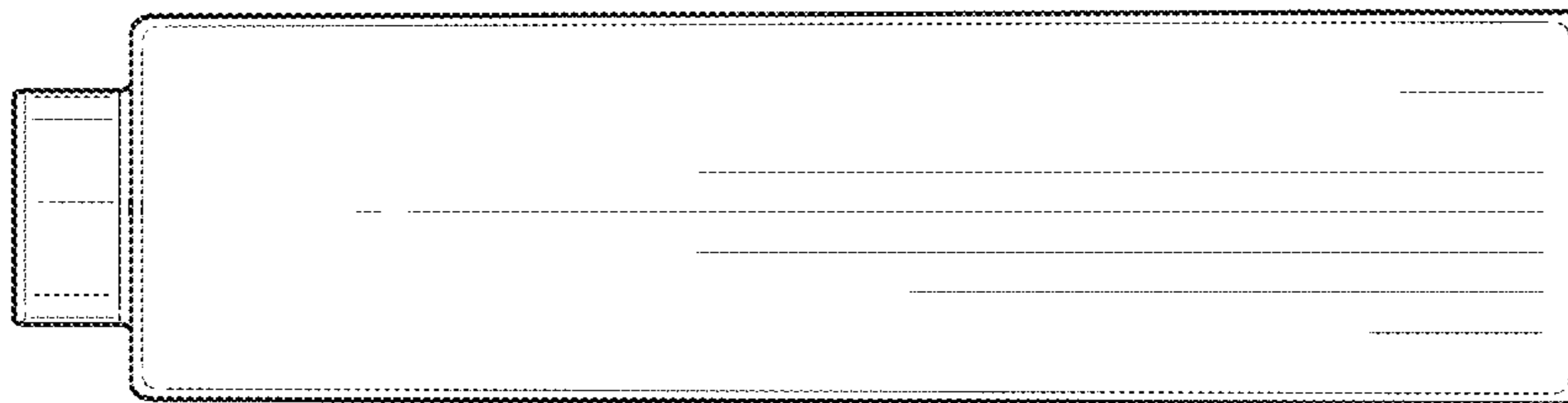


FIG. 5

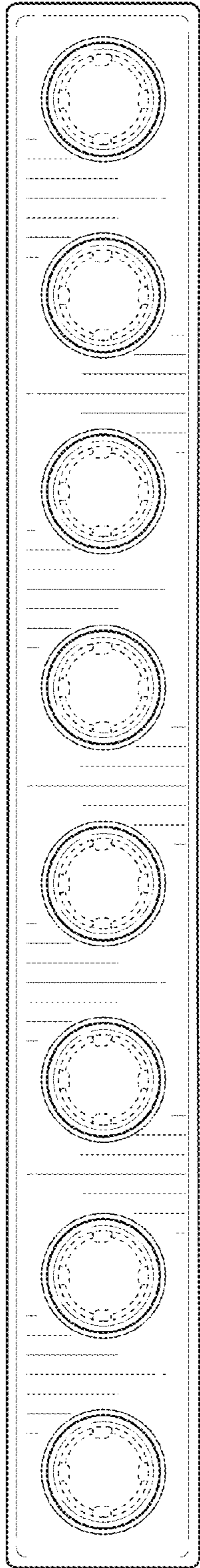


FIG. 7

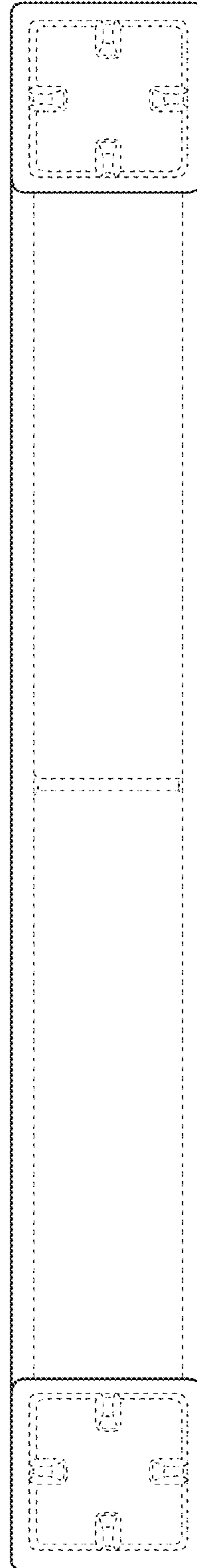


FIG. 8