



US00D766378S

(12) **United States Design Patent** (10) **Patent No.:** **US D766,378 S**
Miller et al. (45) **Date of Patent:** **** Sep. 13, 2016**

(54) **PLAYING CARD DEALING SHOE**

5,941,769 A * 8/1999 Order A63F 1/18
273/149 R
D432,589 S * 10/2000 Hill D21/396
6,402,142 B1 * 6/2002 Warren A63F 1/14
273/148 A
6,582,301 B2 * 6/2003 Hill A63F 1/14
273/149 R

(71) Applicant: **The United States Playing Card Company**, Erlanger, KY (US)

(72) Inventors: **Kenneth S. Miller**, Cincinnati, OH (US); **Lonnie Hinkle**, Cincinnati, OH (US); **Joel Yatscoff**, Toronto (CA); **Borys Jerzy Chylinski**, Toronto (CA); **Logan Thomas Taylor**, Toronto (CA)

(Continued)

Primary Examiner — Darlington Ly
Assistant Examiner — Daniel J Domino

(73) Assignee: **The United States Playing Card Company**, Erlanger, KY (US)

(74) *Attorney, Agent, or Firm* — Seth M. Blum

(**) Term: **15 Years**

(57) **CLAIM**
The ornamental design for a playing card dealing shoe, as shown and described.

(21) Appl. No.: **29/538,892**

DESCRIPTION

(22) Filed: **Sep. 9, 2015**

(51) **LOC (10) Cl.** **21-01**

(52) **U.S. Cl.**
USPC **D21/392**

(58) **Field of Classification Search**
USPC D21/392–396
CPC A63F 1/10; A63F 1/12; A63F 1/14;
A63F 1/18; A63F 3/00157; G07F 17/32;
G07F 17/3293; G06T 7/001; G06T 7/0004
See application file for complete search history.

FIG. 1 is a front right side perspective view of a playing card dealing shoe of the present invention;
FIG. 2 is a front left side perspective view thereof;
FIG. 3 is a right side view thereof;
FIG. 4 is a left side view thereof;
FIG. 5 is a top view thereof;
FIG. 6 is a bottom view thereof;
FIG. 7 is a front view thereof;
FIG. 8 is a rear view thereof;
FIG. 9 is a front left side perspective view of a second embodiment thereof;
FIG. 10 is a right side view thereof;
FIG. 11 is a right side view thereof;
FIG. 12 is a top view thereof;
FIG. 13 is a bottom view thereof;
FIG. 14 is a front view thereof; and,
FIG. 15 is a rear view thereof.

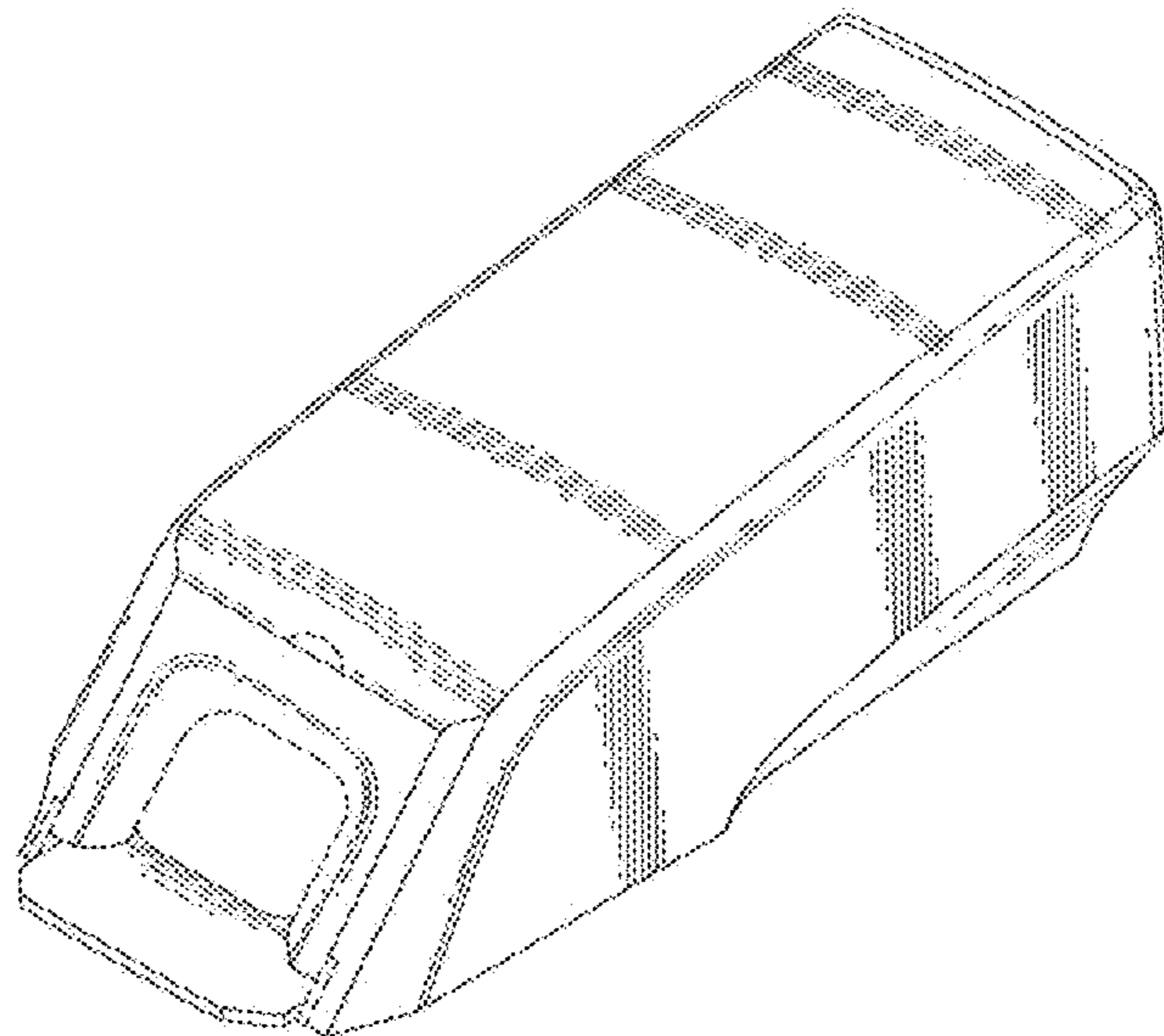
(56) **References Cited**

U.S. PATENT DOCUMENTS

D132,360 S * 5/1942 Gardner 273/148 A
D139,530 S * 11/1944 Schindler 273/148 A
4,457,512 A * 7/1984 Stevenson A63F 1/14
211/51
4,750,743 A * 6/1988 Nicoletti A63F 1/14
211/51
5,374,061 A * 12/1994 Albrecht A63F 1/14
273/149 R

The broken lines illustrate portions of the playing card dealing shoe that forms no part of the claimed design.

1 Claim, 5 Drawing Sheets



(56)

References Cited

U.S. PATENT DOCUMENTS

6,637,622 B1 *	10/2003	Robinson	A63F 1/14 221/232	2008/0111300 A1 *	5/2008	Czyzewski	A63F 1/14 273/149 R
7,740,244 B2 *	6/2010	Ho	A63F 1/12 273/148 A	2011/0079956 A1 *	4/2011	Emori	A63F 1/14 273/149 R
8,170,323 B2 *	5/2012	Downs, III	273/148 A	2011/0130185 A1 *	6/2011	Walker	A63F 1/14 463/13
8,636,285 B2 *	1/2014	Grauzer	273/148 A	2011/0198805 A1 *	8/2011	Downs, III	A63F 1/14 273/149 R
2006/0063577 A1 *	3/2006	Downs	A63F 1/18 463/11	2013/0228971 A1 *	9/2013	Flynn	A63F 1/14 273/149 R
2007/0138743 A1 *	6/2007	Fleckenstein	A63F 1/14 273/149 R	2014/0091523 A1 *	4/2014	Madding	A63F 1/14 273/149 R
2007/0216092 A1 *	9/2007	Fleckenstein	A63F 1/14 273/149 R	2015/0238849 A1 *	8/2015	Shigeta	A63F 1/14 463/12

* cited by examiner

FIG. 1

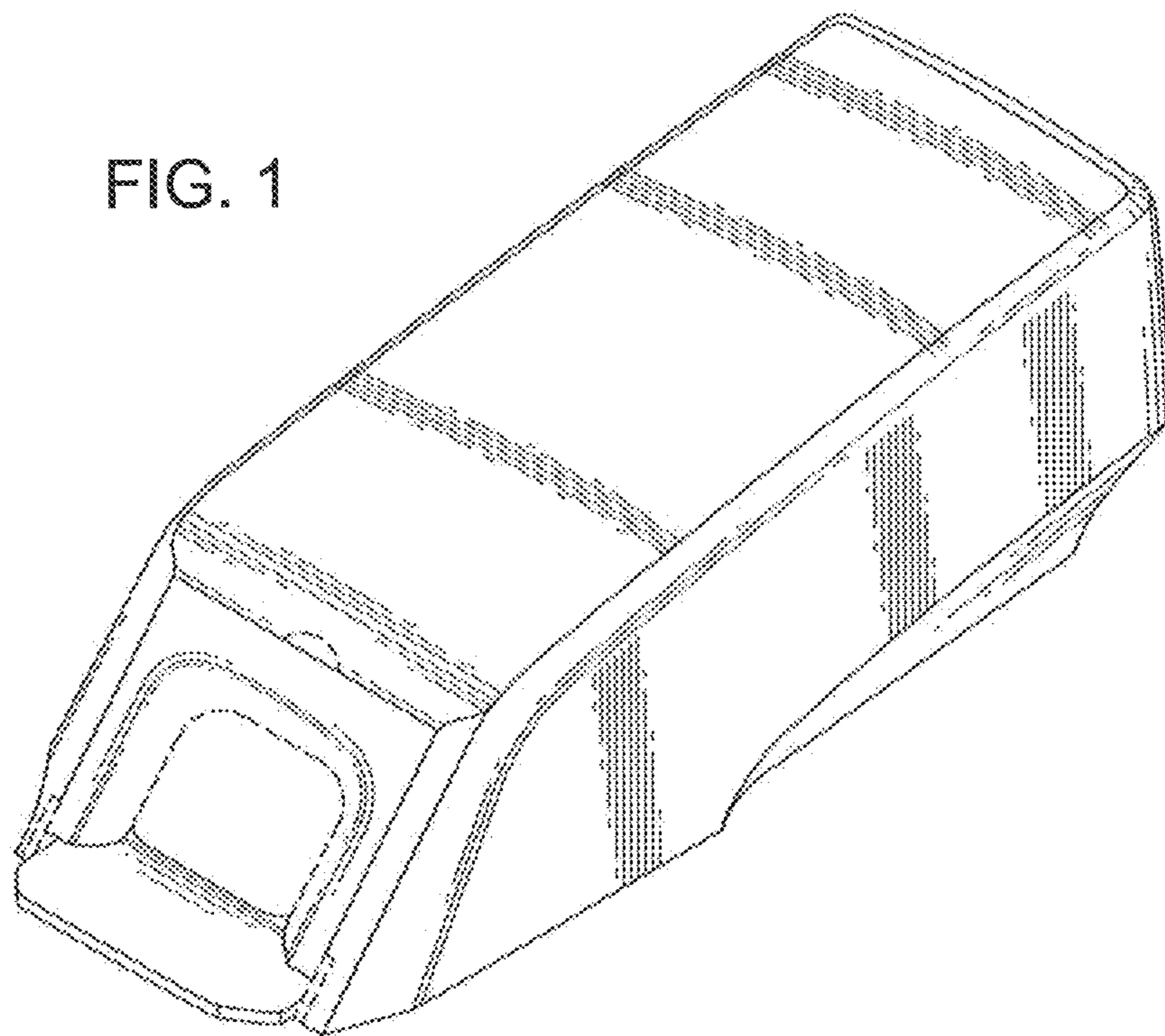


FIG. 2

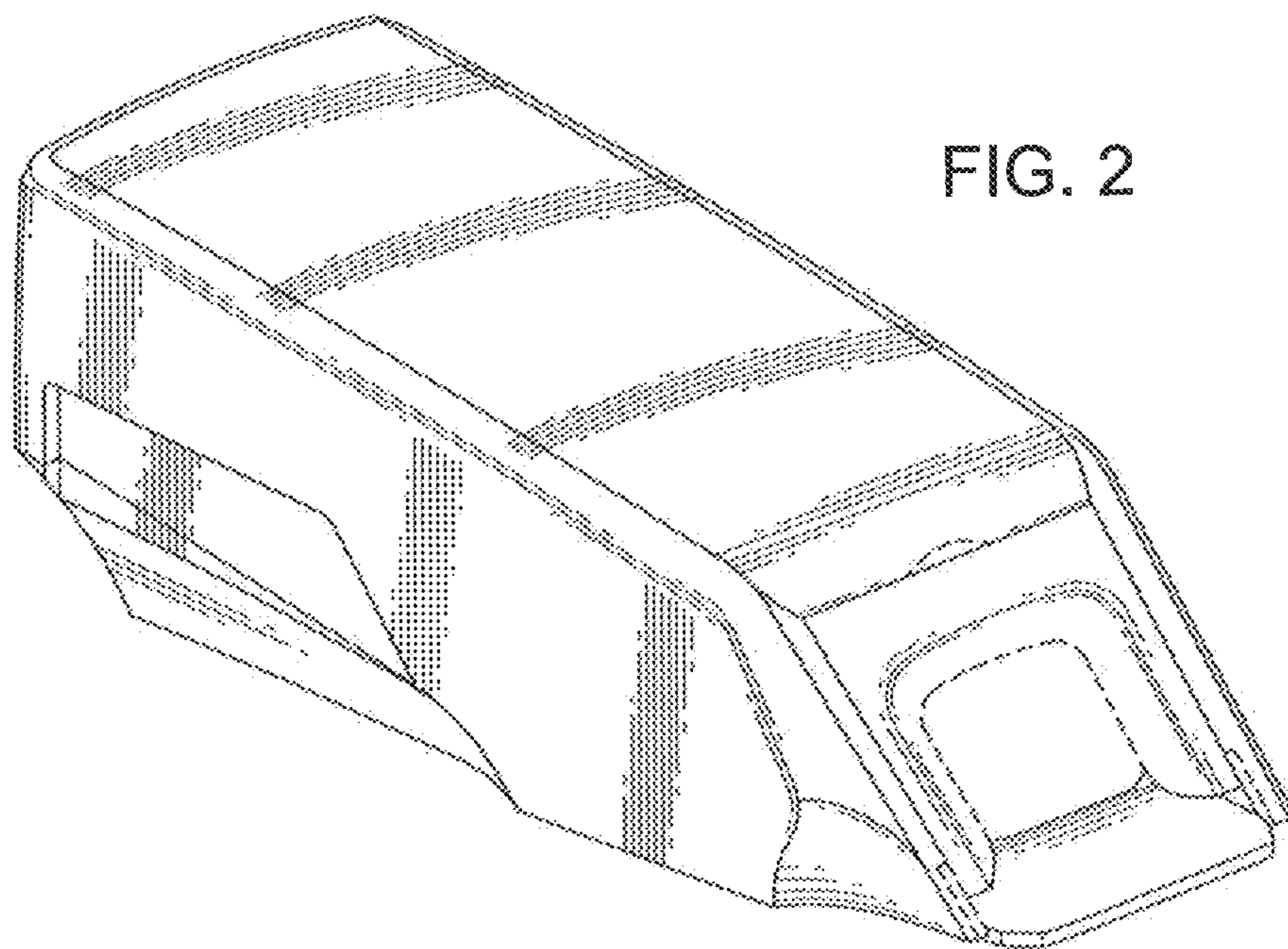


FIG. 3

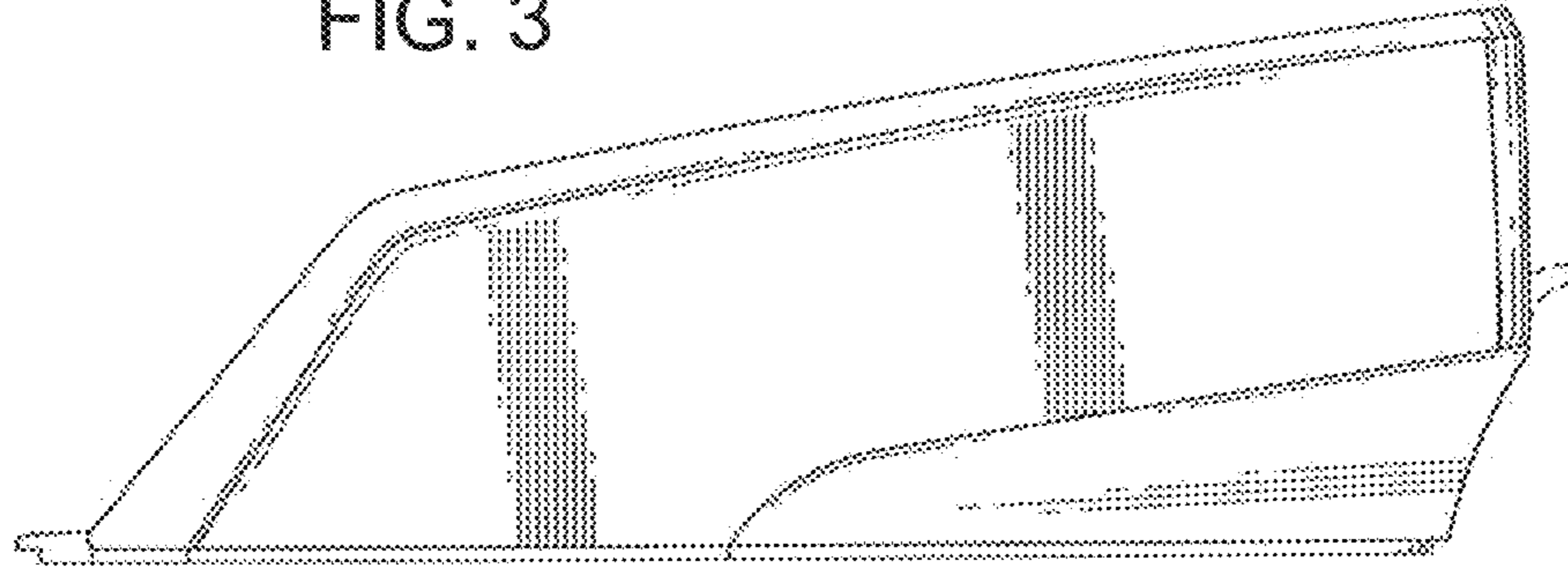


FIG. 4

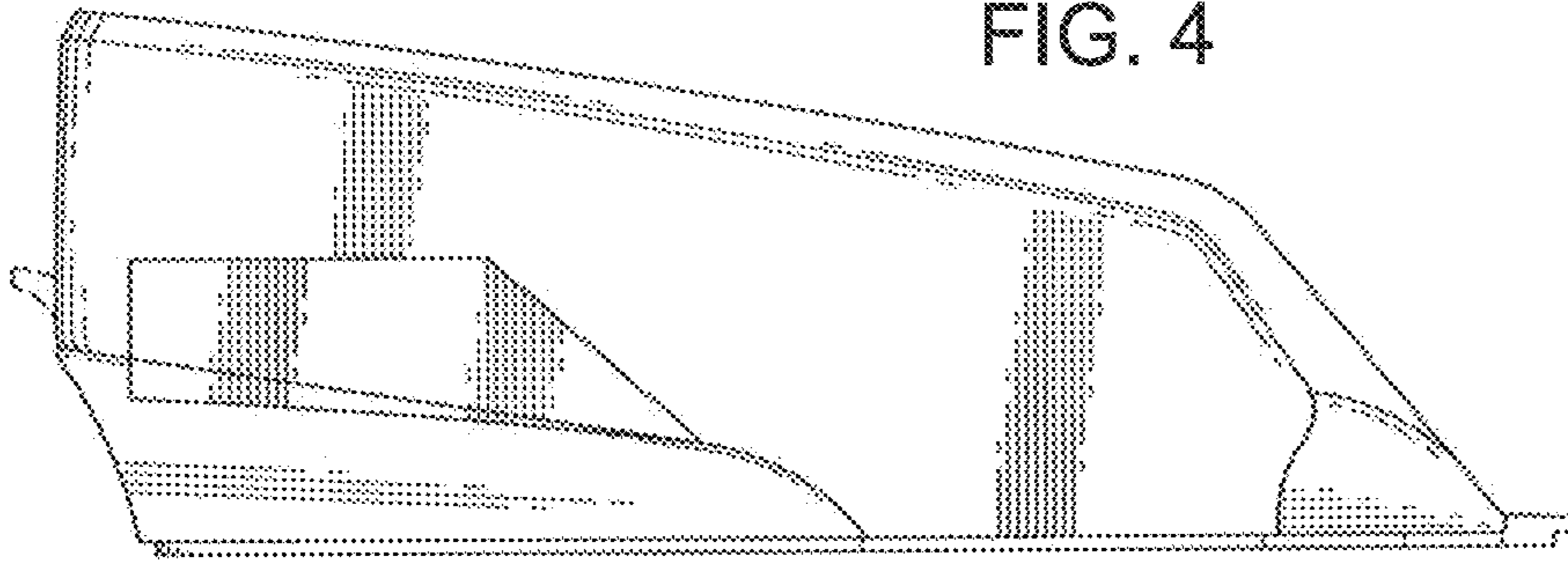


FIG. 5

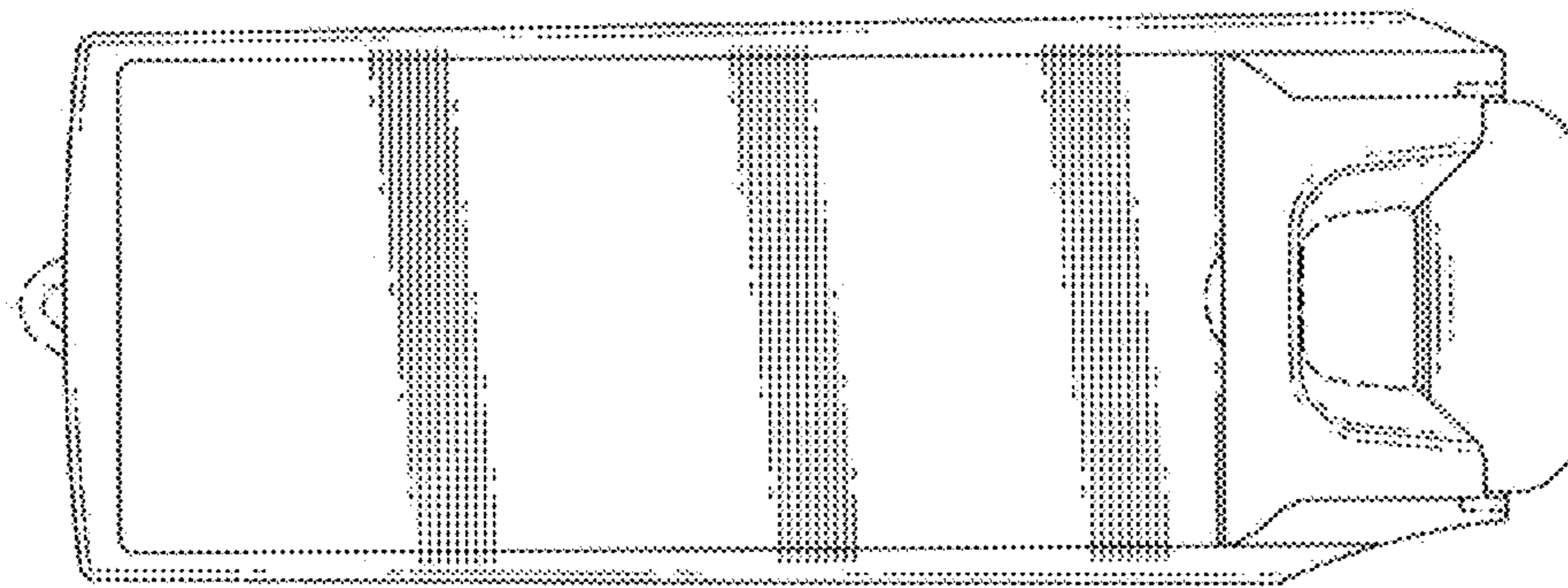


FIG. 6

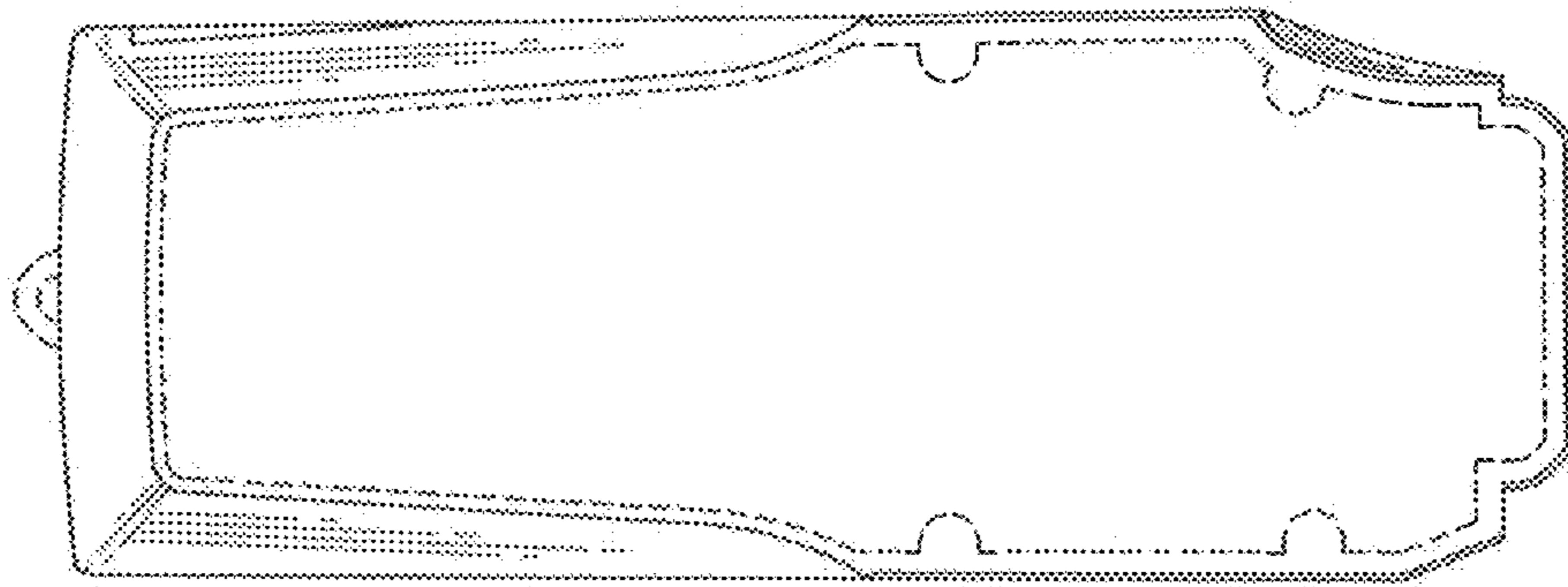


FIG. 7

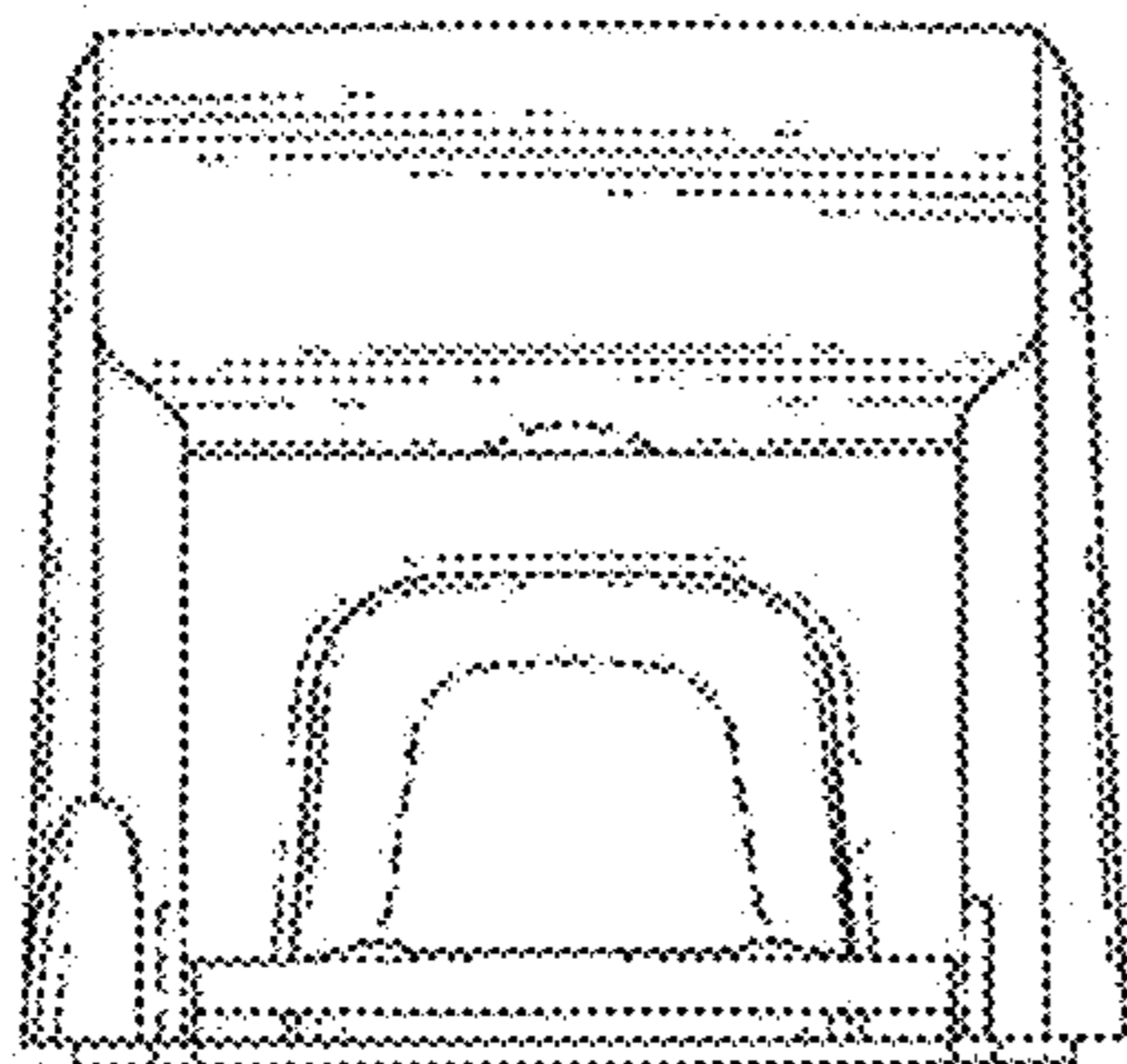
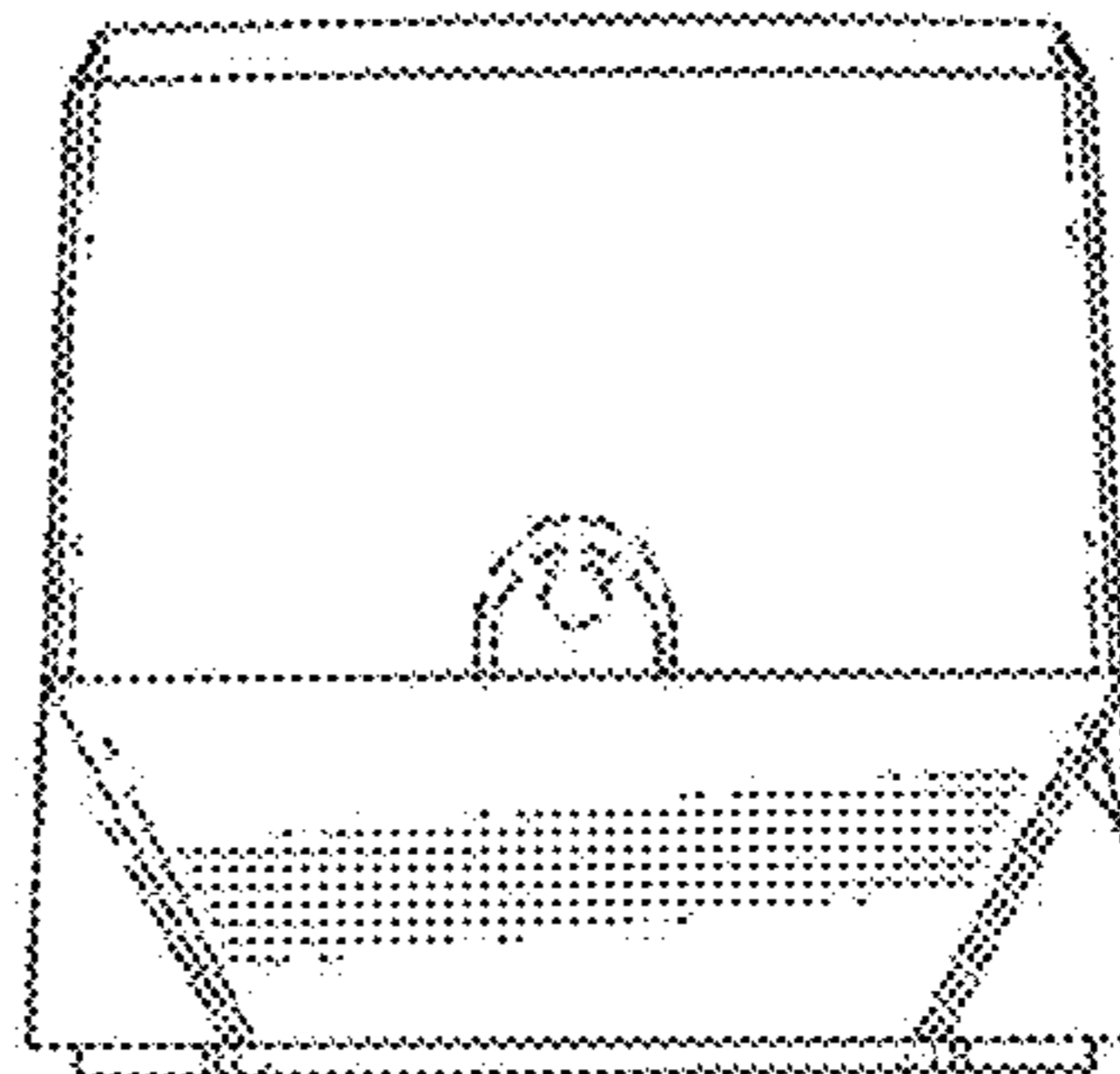


FIG. 8



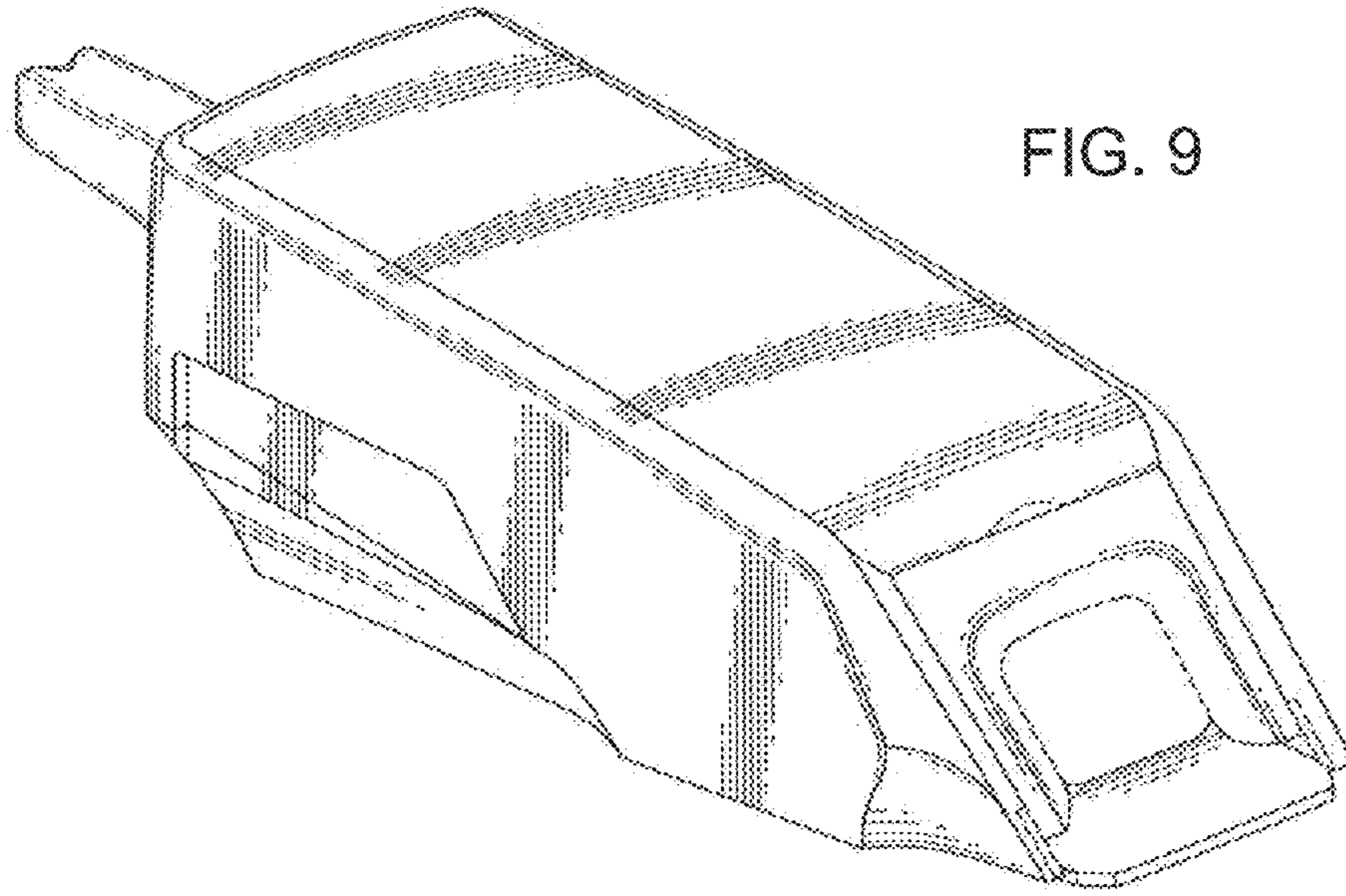


FIG. 9

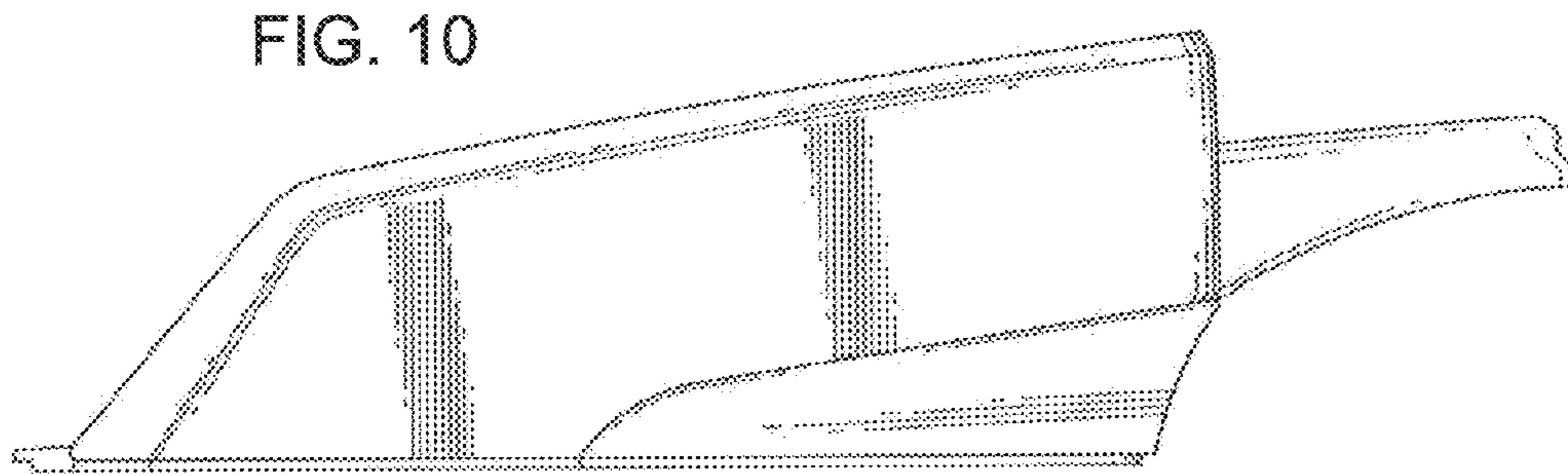


FIG. 10

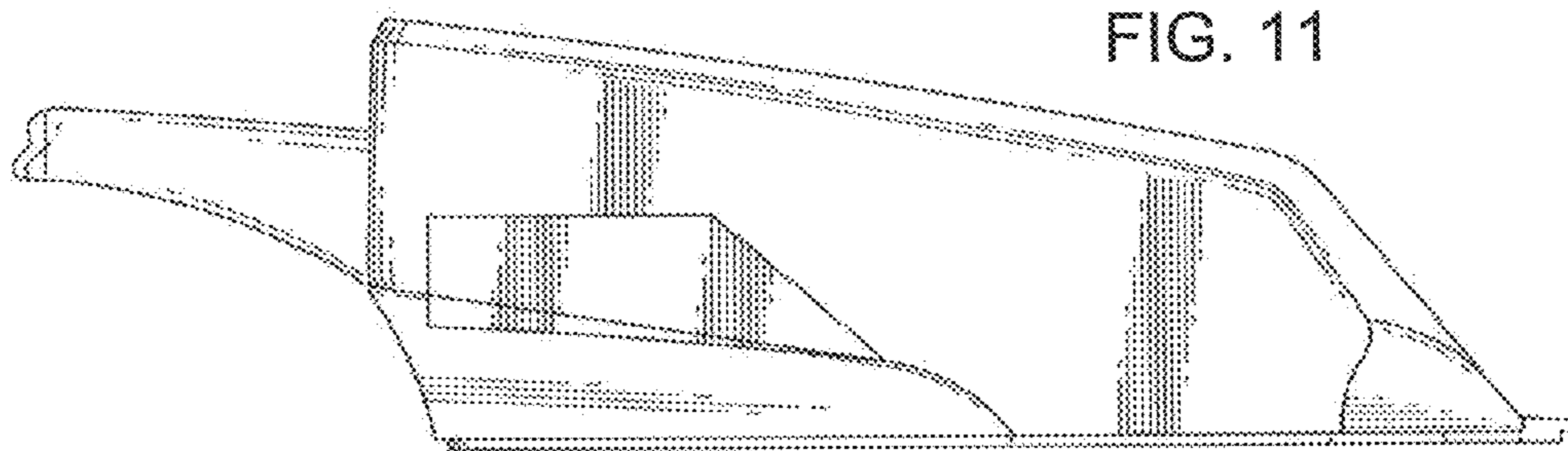


FIG. 11

FIG. 12

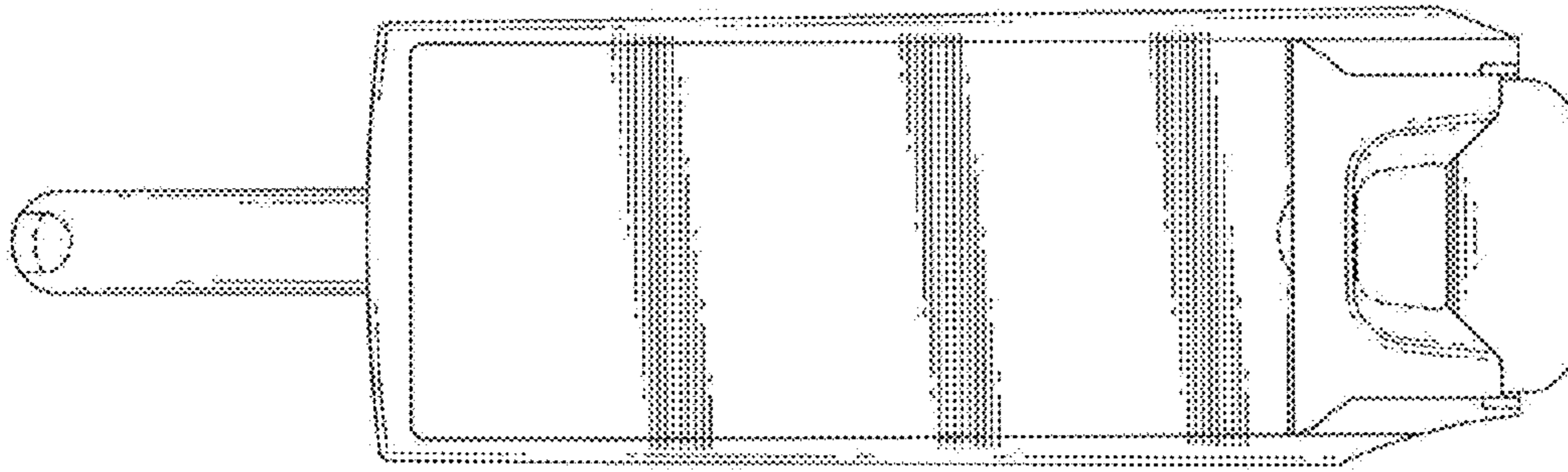


FIG. 13



FIG. 14

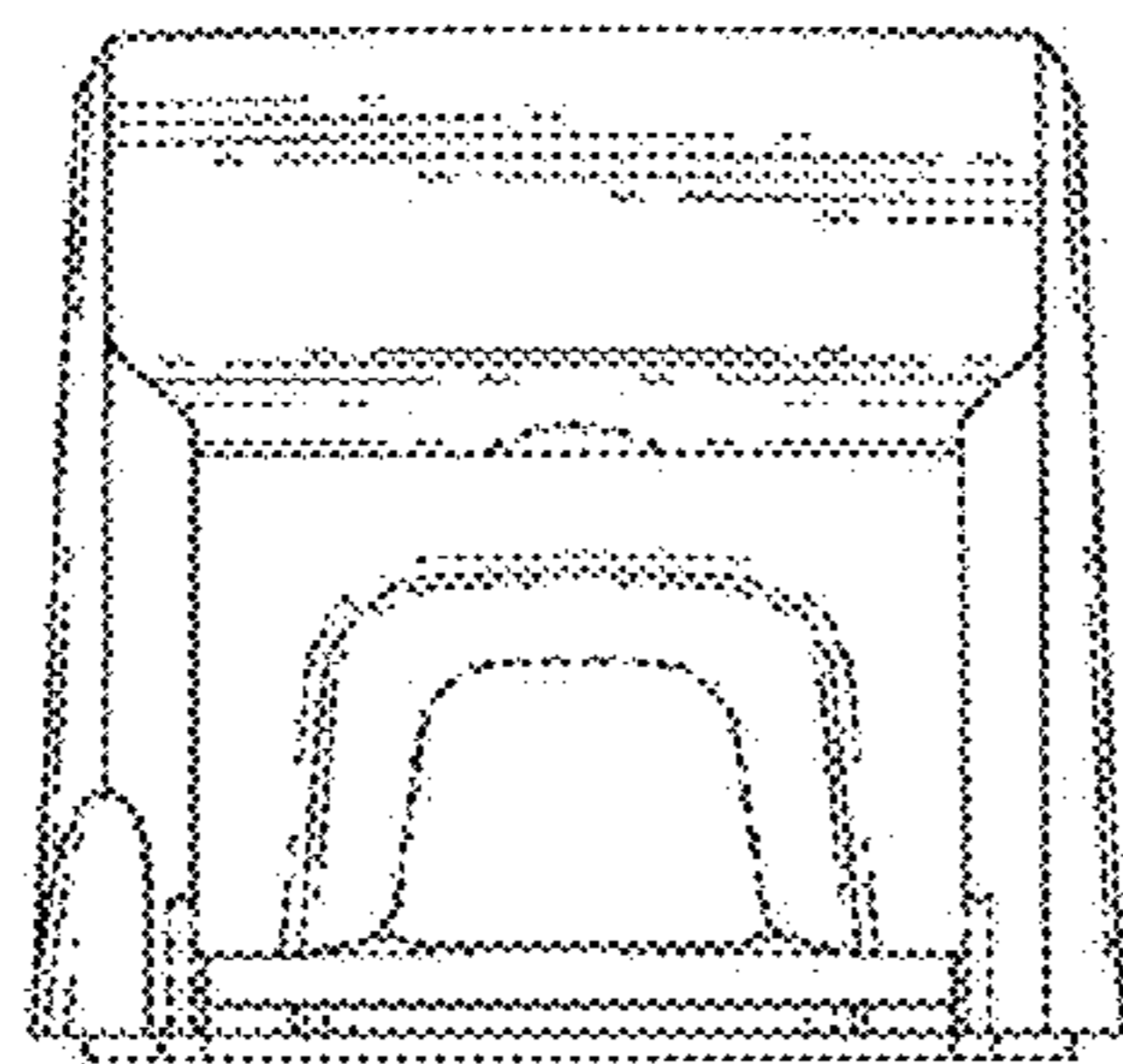


FIG. 15

