



US00D766377S

(12) **United States Design Patent**  
**Kujawski et al.**

(10) **Patent No.:** **US D766,377 S**  
(45) **Date of Patent:** **\*\* Sep. 13, 2016**

(54) **CONTROLLER WITH TOGGLE SWITCHES**

(71) Applicant: **Microsoft Corporation**, Redmond, WA (US)

(72) Inventors: **Christopher Kujawski**, Seattle, WA (US); **Kenneth Jasinski**, Seattle, WA (US); **Carl J. Ledbetter**, Mercer Island, WA (US)

(73) Assignee: **Microsoft Corporation**, Redmond, WA (US)

(\*\*) Term: **15 Years**

(21) Appl. No.: **29/530,285**

(22) Filed: **Jun. 15, 2015**

(51) **LOC (10) Cl.** ..... **21-01**

(52) **U.S. Cl.**  
USPC ..... **D21/333; D14/401**

(58) **Field of Classification Search**

USPC ..... D14/496, 401, 435, 474, 483, 217, 137, D14/138, 160, 168, 356, 203.1–203.8, 507; 345/156, 169, 173–179, 905; 715/727–729, 864, 700, 706, 719; 710/1, 5, 8; 713/1, 600; 455/1.1, 1.7, 455/73, 344–347, 93, 95, 3.01–3.06, 550.1, 455/573.1; 370/342–344; 369/1, 2, 6–12; 463/51–57, 40–47, 1, 29–35; D21/324, D21/328, 333; 273/148 B  
CPC ..... A63F 13/00; A63F 13/02; A63F 9/00; G06F 17/00; G06F 19/00  
See application file for complete search history.

(56) **References Cited**

**U.S. PATENT DOCUMENTS**

D398,214 S 9/1998 Yui  
D424,047 S 5/2000 Chan  
D435,551 S 12/2000 Hayes  
D449,042 S 10/2001 Chung

D453,932 S 2/2002 Han et al.  
6,463,159 B1 10/2002 Ming-Cheng  
D467,922 S 12/2002 Lee  
6,743,100 B1 6/2004 Neiser  
6,968,070 B1 11/2005 Chiang  
D521,015 S 5/2006 Hayes et al.  
D522,011 S 5/2006 Hayes et al.  
D522,012 S 5/2006 Hayes et al.  
7,063,321 B2 6/2006 Hussaini et al.  
7,105,754 B2 9/2006 Turner  
7,195,561 B2 3/2007 Hussaini et al.  
7,235,012 B2\* 6/2007 DiDato ..... A63F 13/06  
273/148 B

(Continued)

**OTHER PUBLICATIONS**

U.S. Appl. No. 29/530,098, filed Jun. 12, 2015.

(Continued)

*Primary Examiner* — Prabhakar Deshmukh

(74) *Attorney, Agent, or Firm* — Banner & Witcoff, Ltd.

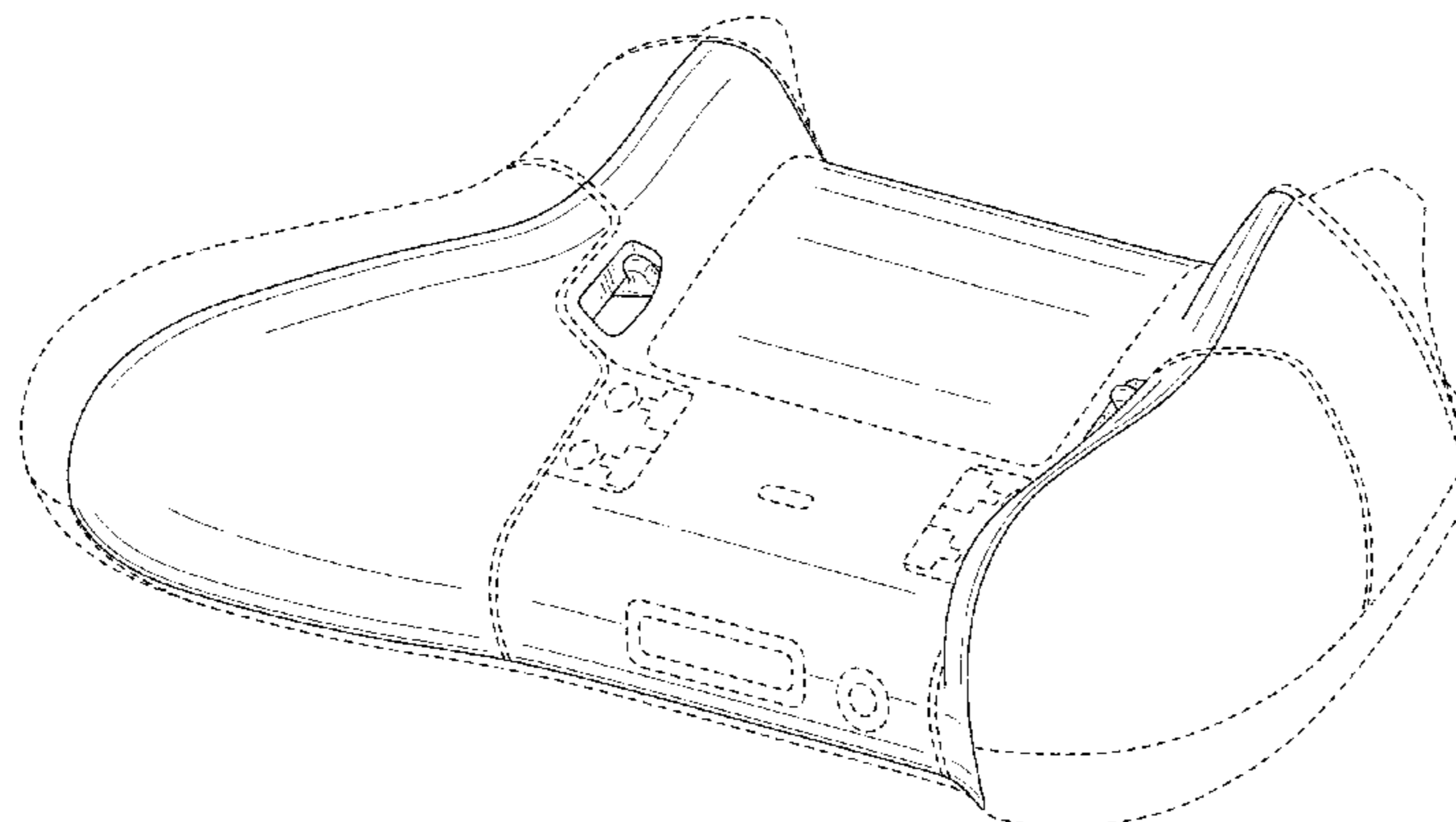
(57) **CLAIM**

The ornamental design for a controller with toggle switches, as shown and described.

**DESCRIPTION**

FIG. 1 is a rear perspective view of a controller with toggle switches showing our new design in a first configured state; FIG. 2 is a bottom view thereof; FIG. 3 is a rear view thereof; FIG. 4 is a front view thereof; FIG. 5 is a rear perspective view of the controller with toggle switches in a second configured state; FIG. 6 is a bottom view thereof; FIG. 7 is a rear view thereof; and, FIG. 8 is a front view thereof. The broken line showing of the various unshaded elements of the controller with toggle switches is for environmental purposes only and forms no part of the claimed design.

**1 Claim, 8 Drawing Sheets**



(56)

References Cited

U.S. PATENT DOCUMENTS

D547,763 S 7/2007 Hayes et al.  
 D556,201 S 11/2007 Ashida et al.  
 D563,480 S 3/2008 Blaseflug et al.  
 D565,668 S 4/2008 Baseflug et al.  
 D568,335 S 5/2008 Armstrong et al.  
 D569,388 S 5/2008 Armstrong et al.  
 D581,422 S 11/2008 Hayes et al.  
 7,445,550 B2 11/2008 Barney et al.  
 D601,564 S 10/2009 Maeno  
 D619,596 S 7/2010 Maitlen et al.  
 D637,153 S 5/2011 Ikeda et al.  
 D638,016 S 5/2011 Ikeda  
 D646,275 S 10/2011 Ikeda et al.  
 D650,795 S 12/2011 Koehn  
 D655,350 S 3/2012 Taniguchi et al.  
 D658,178 S 4/2012 Ikeda et al.  
 D658,179 S 4/2012 Ikeda et al.  
 D659,140 S 5/2012 Ikeda et al.  
 D685,434 S 7/2013 Ali et al.  
 D692,001 S 10/2013 Ibuki et al.  
 D692,887 S 11/2013 Ibuki et al.  
 D694,830 S 12/2013 Crowley et al.  
 D700,182 S 2/2014 Kidakarn  
 D709,498 S 7/2014 Morris et al.  
 D709,499 S 7/2014 Morris et al.  
 D709,882 S 7/2014 Morris et al.  
 D712,973 S \* 9/2014 Sumii ..... D14/401  
 D715,865 S 10/2014 Morris et al.  
 D730,451 S \* 5/2015 Burgess ..... D14/401

D733,802 S \* 7/2015 Burgess ..... D14/401  
 D736,322 S \* 8/2015 Navid ..... D14/401  
 2006/0116204 A1\* 6/2006 Chen ..... A63F 13/06  
 463/37

OTHER PUBLICATIONS

U.S. Appl. No. 29/530,106, filed Jun. 12, 2015.  
 U.S. Appl. No. 29/530,225, filed Jun. 15, 2015.  
 U.S. Appl. No. 29/530,102, filed Jun. 12, 2015.  
 U.S. Appl. No. 29/530,110, filed Jun. 12, 2015.  
 U.S. Appl. No. 29/530,122, filed Jun. 12, 2015.  
 U.S. Appl. No. 29/530,108, filed Jun. 12, 2015.  
 U.S. Appl. No. 29/530,111, filed Jun. 12, 2015.  
 U.S. Appl. No. 29/530,112, filed Jun. 12, 2015.  
 U.S. Appl. No. 29/530,113, filed Jun. 12, 2015.  
 U.S. Appl. No. 29/530,114, filed Jun. 12, 2015.  
 U.S. Appl. No. 29/530,115, filed Jun. 12, 2015.  
 U.S. Appl. No. 29/530,116, filed Jun. 12, 2015.  
 U.S. Appl. No. 29/530,120, filed Jun. 12, 2015.  
 U.S. Appl. No. 29/530,243, filed Jun. 15, 2015.  
 U.S. Appl. No. 29/530,237, filed Jun. 12, 2015.  
 U.S. Appl. No. 29/543,963, filed Oct. 29, 2015.  
 U.S. Appl. No. 29/543,976, filed Oct. 29, 2015.  
 U.S. Appl. No. 29/543,897, filed Oct. 29, 2015.  
 U.S. Appl. No. 29/543,902, filed Oct. 29, 2015.  
 U.S. Appl. No. 29/543,904, filed Oct. 29, 2015.  
 U.S. Appl. No. 29/543,910, filed Oct. 29, 2015.  
 U.S. Appl. No. 29/543,914, filed Oct. 29, 2015.  
 U.S. Appl. No. 29/543,958, filed Oct. 29, 2015.  
 U.S. Appl. No. 29/543,931, filed Oct. 29, 2015.

\* cited by examiner

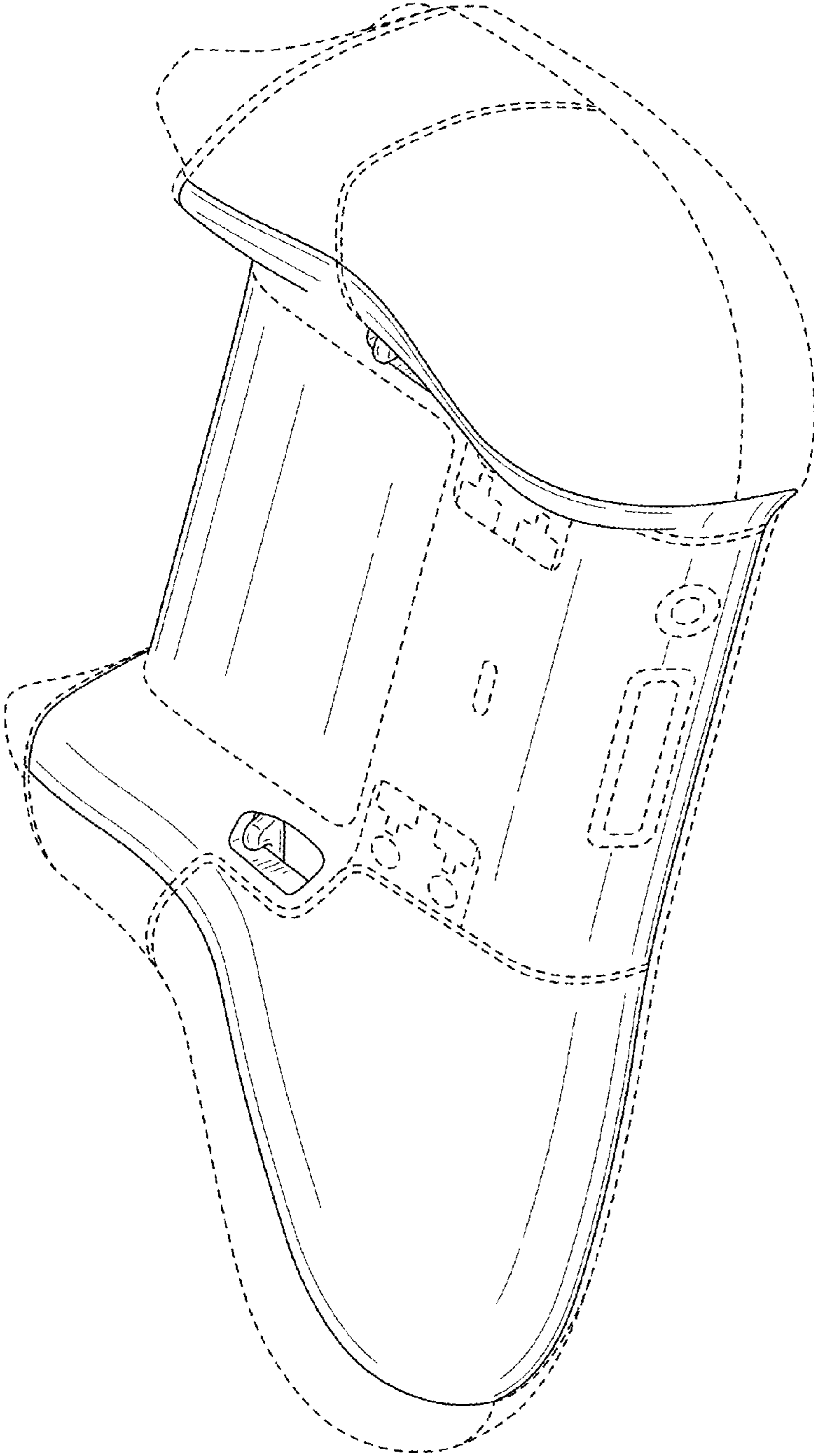


FIG. 1

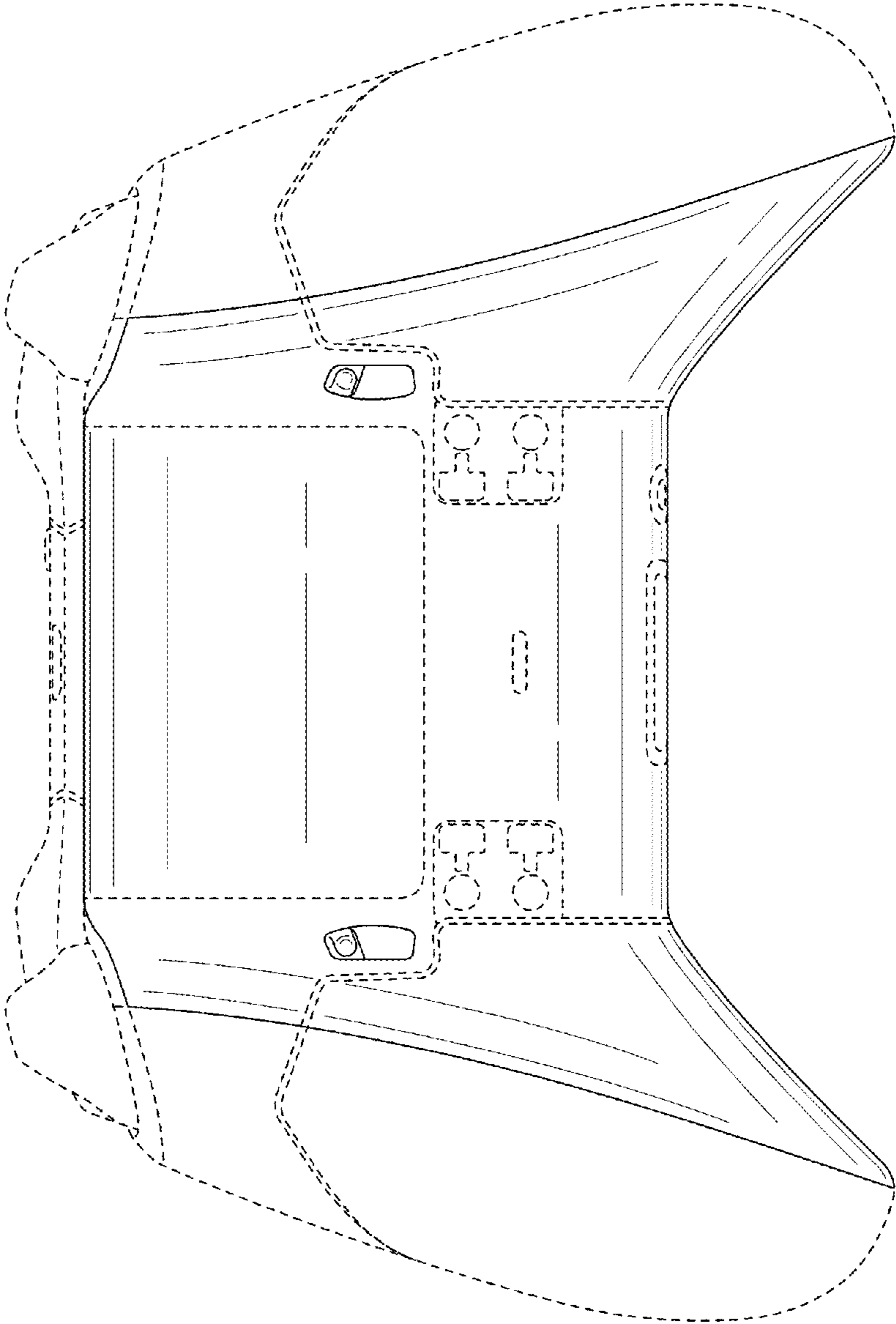


FIG. 2

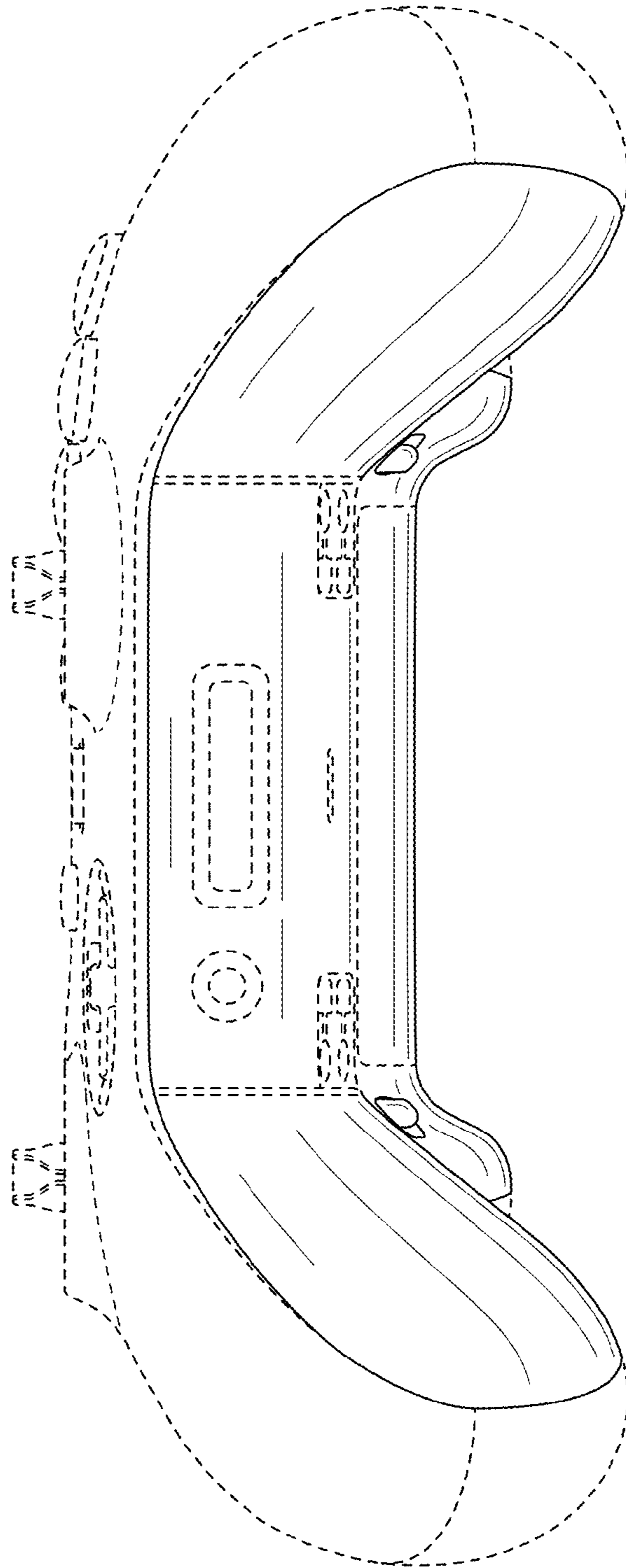


FIG. 3

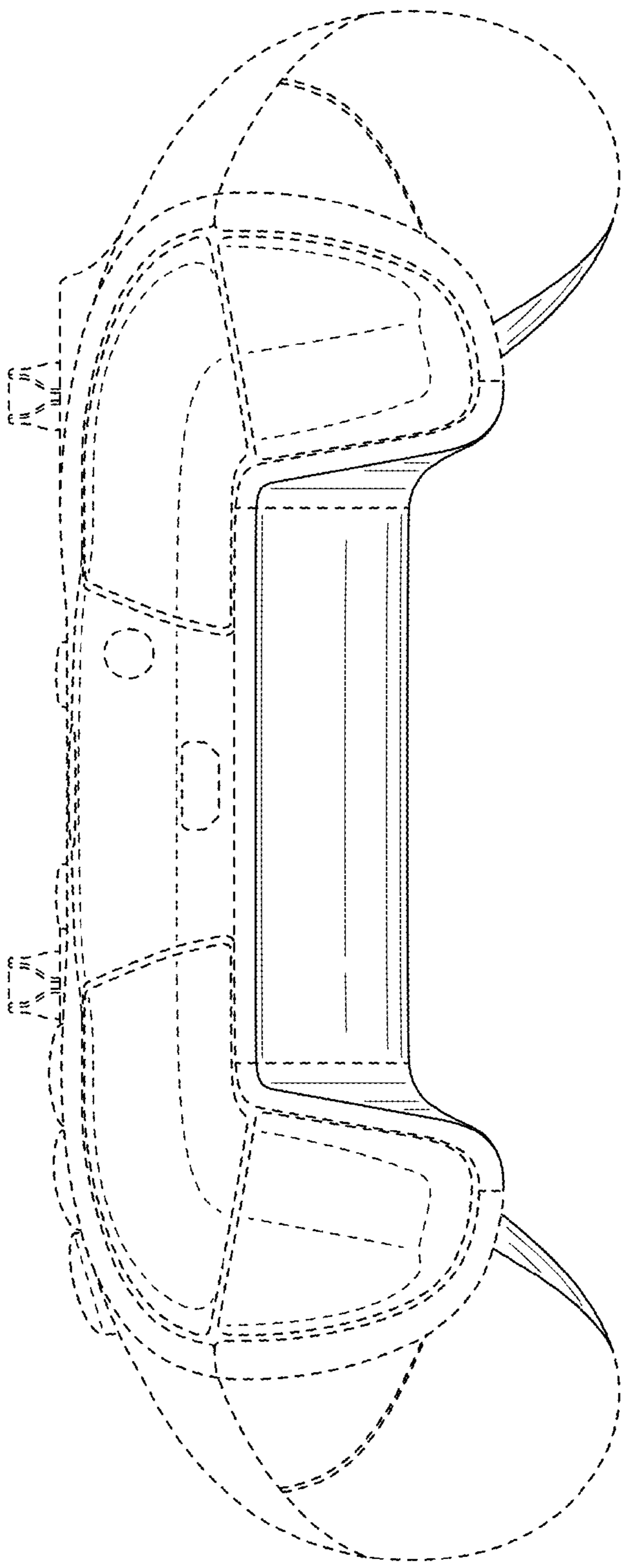


FIG. 4

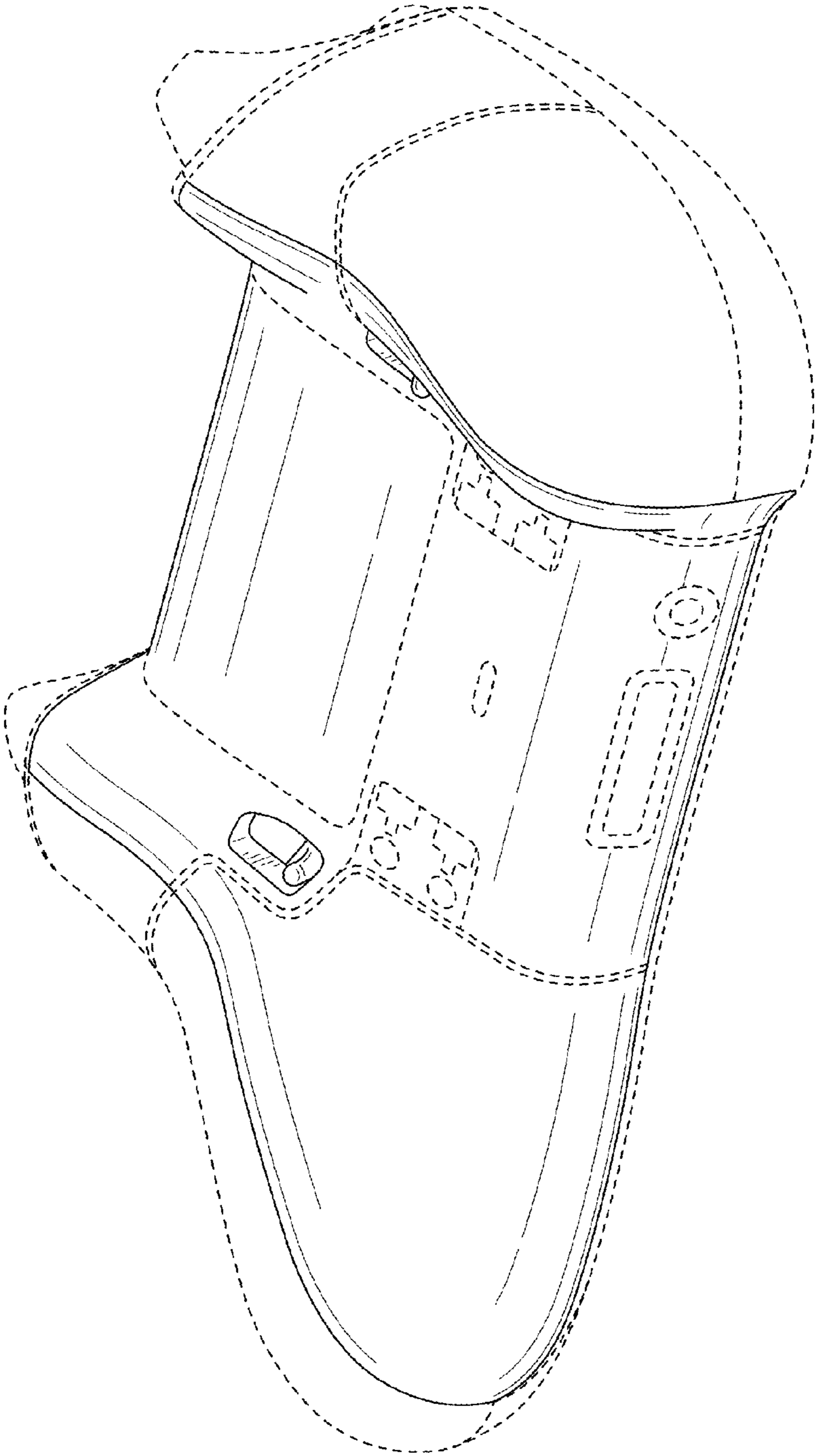


FIG. 5

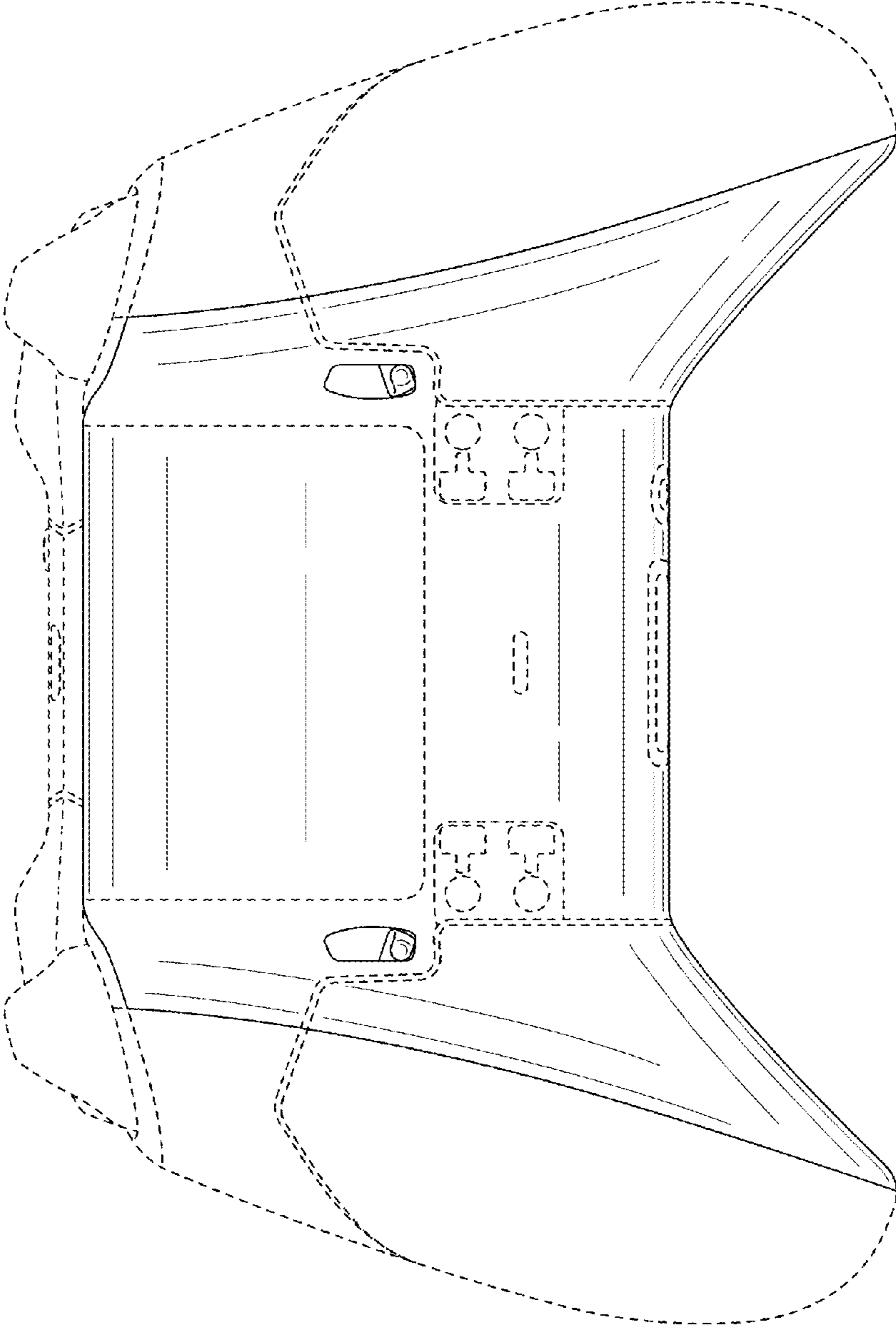


FIG. 6



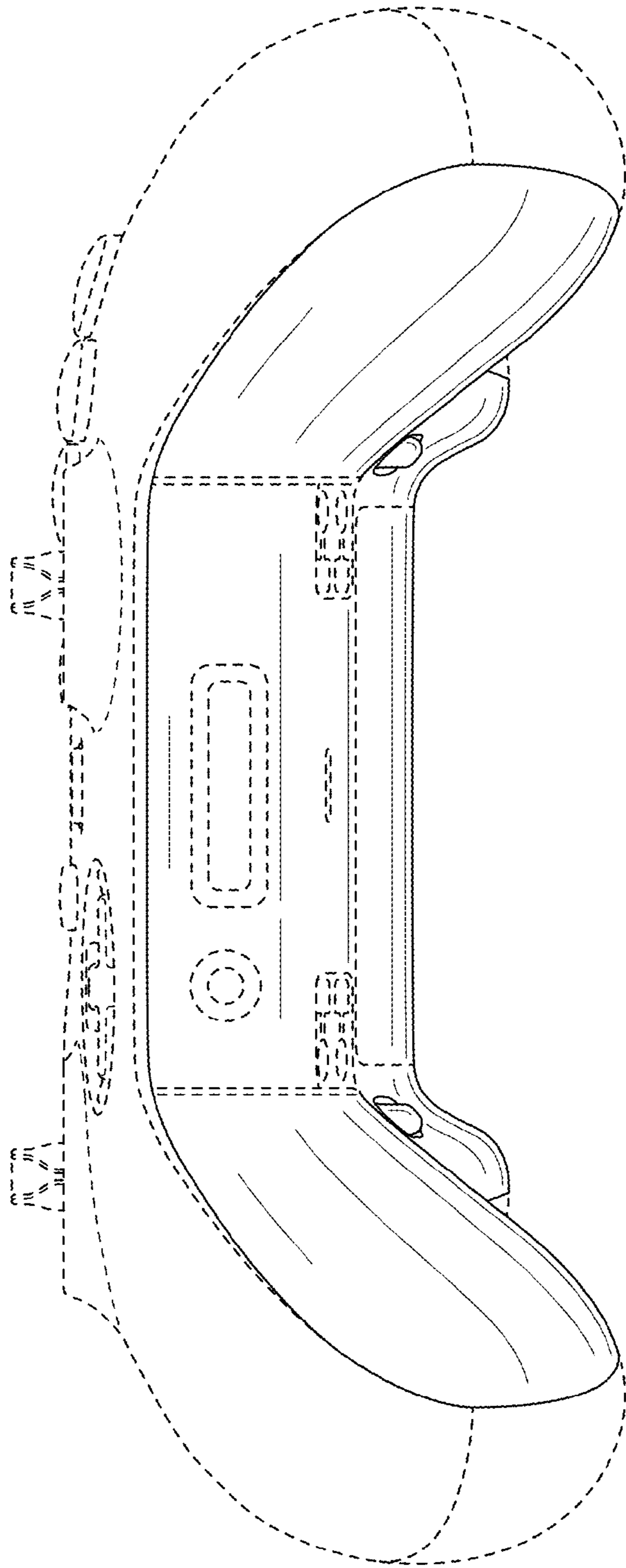


FIG. 7

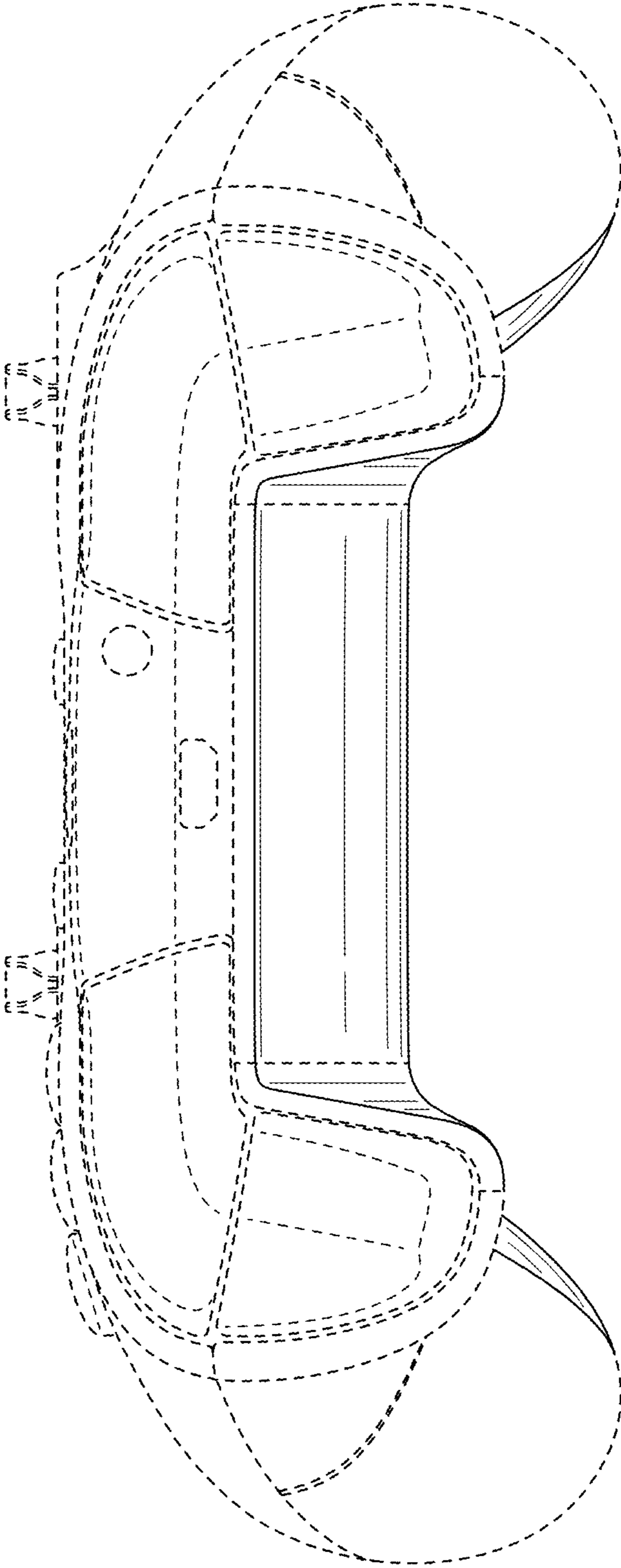


FIG. 8