



US00D766376S

(12) **United States Design Patent**
Kujawski et al.

(10) **Patent No.: US D766,376 S**
(45) **Date of Patent: ** Sep. 13, 2016**

(54) **CONTROLLER WITH REMOVABLE DIRECTIONAL PAD**

FOREIGN PATENT DOCUMENTS

(71) Applicant: **Microsoft Corporation**, Redmond, WA (US)

JP D1297485 4/2007
JP D1424810 10/2011

(Continued)

(72) Inventors: **Christopher Kujawski**, Seattle, WA (US); **Kenneth Jasinski**, Seattle, WA (US); **Carl J. Ledbetter**, Mercer Island, WA (US)

OTHER PUBLICATIONS

Side-by-side: Xbox One Gamepad vs Xbox 360 gamepad (Jun. 11, 2013), <http://www.techradar.com/us/news/gaming/consoles/side-by-side-xbox-one-gamepad-vs-xbox-360-gamepad-1158091>.

(Continued)

(73) Assignee: **Microsoft Corporation**, Redmond, WA (US)

Primary Examiner — Prabhakar Deshmukh

(**) Term: **15 Years**

(74) *Attorney, Agent, or Firm* — Banner & Witcoff, Ltd.

(21) Appl. No.: **29/530,122**

(57) **CLAIM**

The ornamental design for a controller with removable directional pad, as shown and described.

(22) Filed: **Jun. 12, 2015**

DESCRIPTION

(51) **LOC (10) Cl.** **21-01**

(52) **U.S. Cl.**

USPC **D21/333**; D14/401

(58) **Field of Classification Search**

USPC D14/496, 401, 435, 474, 483, 217, 137, D14/138, 160, 168, 356, 203.1–203.8, 507; 345/156, 169, 173–179, 905; 715/727–729, 864, 700, 706, 719; 710/1, 5, 8; 713/1, 600; 455/1.1, 1.7, 455/73, 344–347, 93, 95, 3.01–3.06, 550.1, 455/573.1; 370/342–344; 369/1, 2, 6–12; 463/51–57, 40–47, 1, 29–35; D21/324, D21/328, 333; 273/148 B
CPC A63F 13/00; A63F 13/02; A63F 9/00; G06F 17/00; G06F 19/00

See application file for complete search history.

FIG. 1 is a front perspective view of a controller with removable directional pad in a first configured state showing our new design;

FIG. 2 is a top view thereof;

FIG. 3 is a rear view thereof;

FIG. 4 is a front view thereof;

FIG. 5 is a left view thereof;

FIG. 6 is a right view thereof;

FIG. 7 is an exploded front perspective view of a controller with removable directional pad, shown in a second unconfigured state;

FIG. 8 is an exploded top view of FIG. 7;

FIG. 9 is an exploded rear view of FIG. 7;

FIG. 10 is an exploded front view of FIG. 7;

FIG. 11 is an exploded left side view of FIG. 7;

FIG. 12 is an exploded right side view of FIG. 7; and,

FIG. 13 is an exploded bottom view of FIG. 7.

The broken line showing of the various unshaded elements of the controller with removable directional pad in FIGS. 1-13 is for environmental purposes only and forms no part of the claimed design.

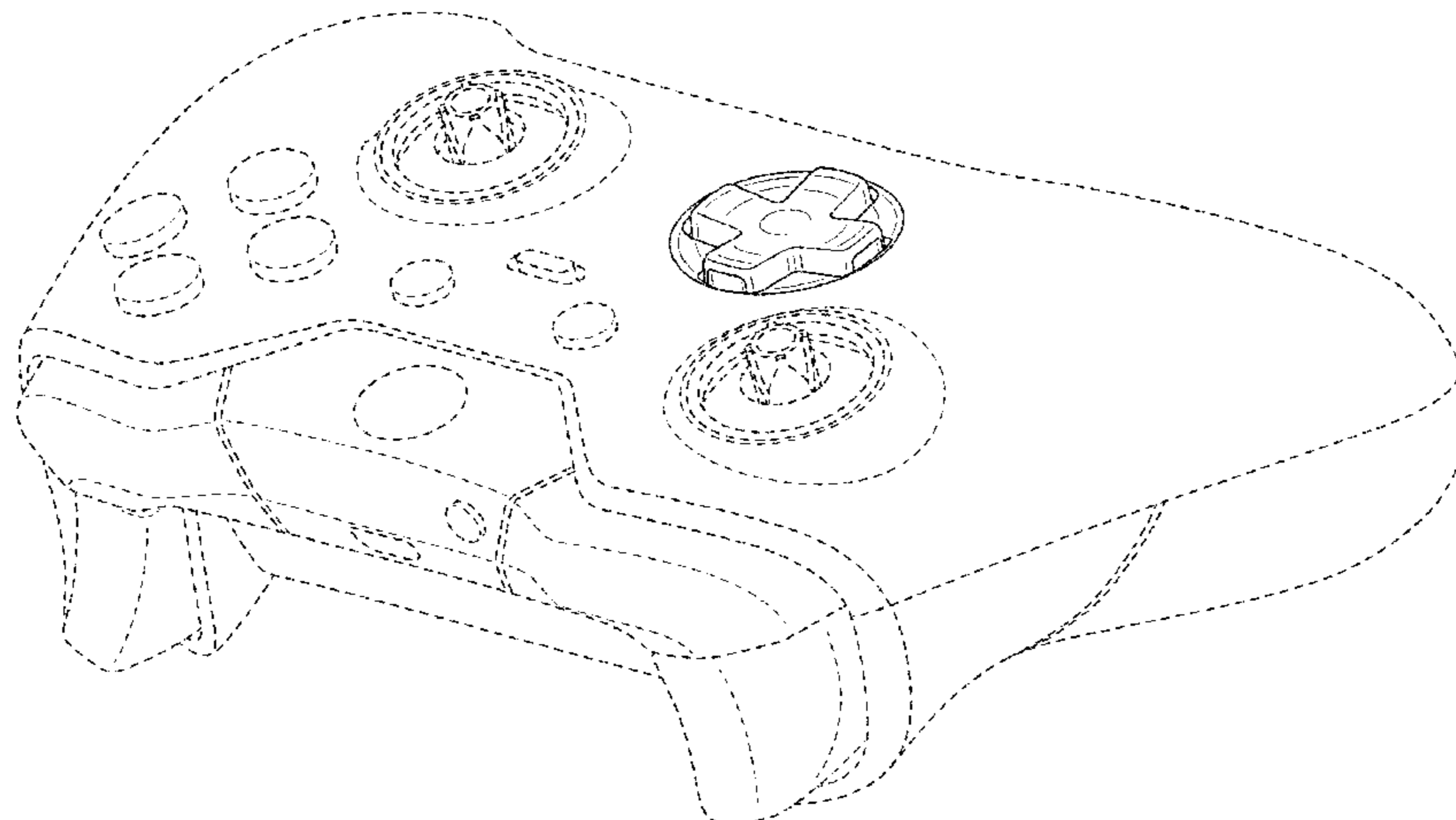
(56) **References Cited**

U.S. PATENT DOCUMENTS

D368,936 S * 4/1996 Goto D14/401
D398,214 S 9/1998 Yui

(Continued)

1 Claim, 13 Drawing Sheets



(56)

References Cited

U.S. PATENT DOCUMENTS

D415,752 S * 10/1999 Tyler D14/401
 D424,047 S * 5/2000 Chan D14/401
 D435,551 S 12/2000 Hayes
 6,231,444 B1 5/2001 Goto et al.
 D449,042 S 10/2001 Chung
 D453,932 S 2/2002 Han et al.
 6,463,159 B1 10/2002 Ming-Cheng
 D467,922 S 12/2002 Lee
 D476,376 S 6/2003 Wintersteiger
 6,572,108 B1 6/2003 Bristow
 6,743,100 B1 * 6/2004 Neiser A63F 13/06
 273/148 B
 6,956,559 B2 10/2005 Hagiwara et al.
 6,968,070 B1 11/2005 Chiang
 D521,015 S 5/2006 Hayes et al.
 D522,011 S 5/2006 Hayes et al.
 D522,012 S 5/2006 Hayes et al.
 7,063,321 B2 6/2006 Hussaini et al.
 7,105,754 B2 9/2006 Turner
 D533,011 S 12/2006 Pai
 7,195,561 B2 3/2007 Hussaini et al.
 7,235,012 B2 6/2007 DiDato
 D547,763 S * 7/2007 Hayes D14/401
 D556,201 S 11/2007 Ashida et al.
 7,314,413 B2 1/2008 Ogata et al.
 D563,480 S 3/2008 Blaseflug et al.
 D565,668 S 4/2008 Baseflug et al.
 D568,335 S 5/2008 Armstrong et al.
 D569,388 S 5/2008 Armstrong et al.
 D581,422 S 11/2008 Hayes et al.
 7,445,550 B2 11/2008 Barney et al.
 D601,564 S * 10/2009 Maeno D14/400
 D619,596 S 7/2010 Maitlen et al.
 7,762,553 B2 7/2010 Harris
 D624,049 S 9/2010 Liu
 7,887,768 B2 2/2011 Honjo et al.
 D636,773 S * 4/2011 Lin D14/401
 D637,153 S 5/2011 Ikeda et al.
 D638,016 S 5/2011 Ikeda
 D646,275 S 10/2011 Ikeda et al.
 D650,795 S 12/2011 Koehn
 D655,350 S 3/2012 Taniguchi et al.
 D658,178 S 4/2012 Ikeda et al.
 D658,179 S 4/2012 Ikeda et al.
 D659,140 S 5/2012 Ikeda et al.
 D667,892 S 9/2012 Burgess et al.
 D685,434 S 7/2013 Ali et al.
 8,487,876 B2 * 7/2013 Ikeda A63F 13/06
 273/148 B
 D692,001 S 10/2013 Ibuki et al.
 8,545,323 B2 * 10/2013 McVicar A63F 13/06
 345/161
 D692,887 S 11/2013 Ibuki et al.
 D694,830 S 12/2013 Crowley et al.
 D700,182 S 2/2014 Kidakarn
 8,641,525 B2 2/2014 Burgess et al.
 D707,758 S 6/2014 Norman et al.
 D708,615 S * 7/2014 Delrue D14/401
 D709,498 S 7/2014 Morris et al.

D709,499 S 7/2014 Morris et al.
 D709,882 S 7/2014 Morris et al.
 D712,973 S 9/2014 Sumii et al.
 D715,865 S 10/2014 Morris et al.
 8,903,100 B2 * 12/2014 Hiraki H04R 29/001
 324/500
 8,903,111 B2 12/2014 Garet et al.
 8,925,414 B1 1/2015 Park et al.
 8,994,666 B2 3/2015 Karpfinger
 D730,451 S 5/2015 Burgess et al.
 9,029,721 B2 5/2015 Ikeda et al.
 9,053,243 B2 6/2015 Townsend
 D733,802 S 7/2015 Burgess et al.
 D736,322 S 8/2015 Navid
 9,118,750 B2 8/2015 Vossoughi et al.
 D748,734 S 2/2016 Burgess et al.
 9,251,701 B2 2/2016 Plagge et al.
 2006/0116204 A1 6/2006 Chen et al.

FOREIGN PATENT DOCUMENTS

JP D1492113 2/2014
 JP D1492115 3/2014
 JP D1549312 4/2016
 KR 30-0751062-000 7/2014
 TW D165793 2/2015

OTHER PUBLICATIONS

May 2, 2016—(US) Notice of Allowance—U.S. Appl. No. 29/530,225, filed Jun. 15, 2015; Inv: Christopher Kujawski.
 May 11, 2016—(US) Restriction Requirement—U.S. Appl. No. 29/530,106, filed Jun. 15, 2015; Inv: Christopher Kujawski.
 May 10, 2016—(US) Restriction Requirement—U.S. Appl. No. 29/530,098, filed Jun. 15, 2015; Inv: Christopher Kujawski.
 May 17, 2016—(US) Notice of Allowance—U.S. Appl. No. 29/530,102, filed Jun. 12, 2015; Inv: Christopher Kujawski.
 May 6, 2016—(US) Notice of Allowance—U.S. Appl. No. 29/530,110, filed Jun. 12, 2015; Inv: Christopher Kujawski.
 May 5, 2016—(US) Notice of Allowance—U.S. Appl. No. 29/530,108, filed Jun. 12, 2015; Inv: Christopher Kujawski.
 Apr. 26, 2016—(US) Notice of Allowance—U.S. Appl. No. 29/530,111, filed Jun. 12, 2015; Inv: Christopher Kujawski.
 Apr. 11, 2016—(US) Notice of Allowance—U.S. Appl. No. 29/530,113, filed Jun. 12, 2015; Inv: Christopher Kujawski.
 Apr. 14, 2016—(US) Non-Final Office Action—U.S. Appl. No. 29/530,114, filed Jun. 12, 2015; Inv: Christopher Kujawski.
 Apr. 11, 2016—(US) Notice of Allowance—U.S. Appl. No. 29/530,115, filed Jun. 12, 2015; Inv: Christopher Kujawski.
 May 6, 2016—(US) Notice of Allowance—U.S. Appl. No. 29/530,116, filed Jun. 12, 2015; Inv: Christopher Kujawski.
 May 2, 2016—(US) Notice of Allowance—U.S. Appl. No. 29/530,120, filed Jun. 12, 2015; Inv: Christopher Kujawski.
 May 6, 2016—(US) Notice of Allowance—U.S. Appl. No. 29/530,285, filed Jun. 15, 2015; Inv: Christopher Kujawski.
 Jun. 22, 2016—(US) Notice of Allowance—U.S. Appl. No. 29/530,243, filed Jun. 12, 2015; Inv: Christopher Kujawski.
 Apr. 26, 2016—(US) Notice of Allowance—U.S. Appl. No. 29/530,237, filed Jun. 15, 2015; Inv: Christopher Kujawski.

* cited by examiner

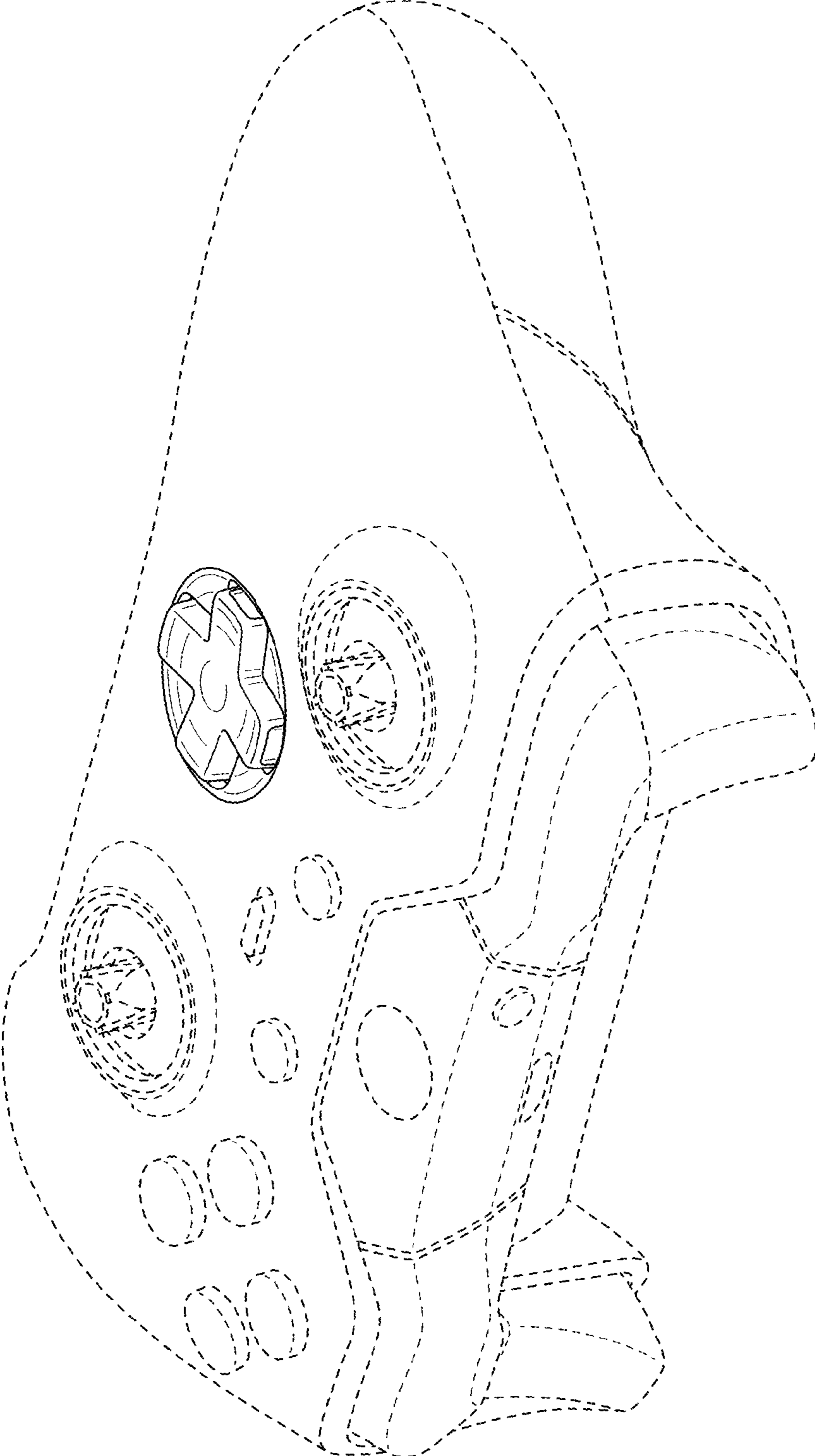


FIG. 1

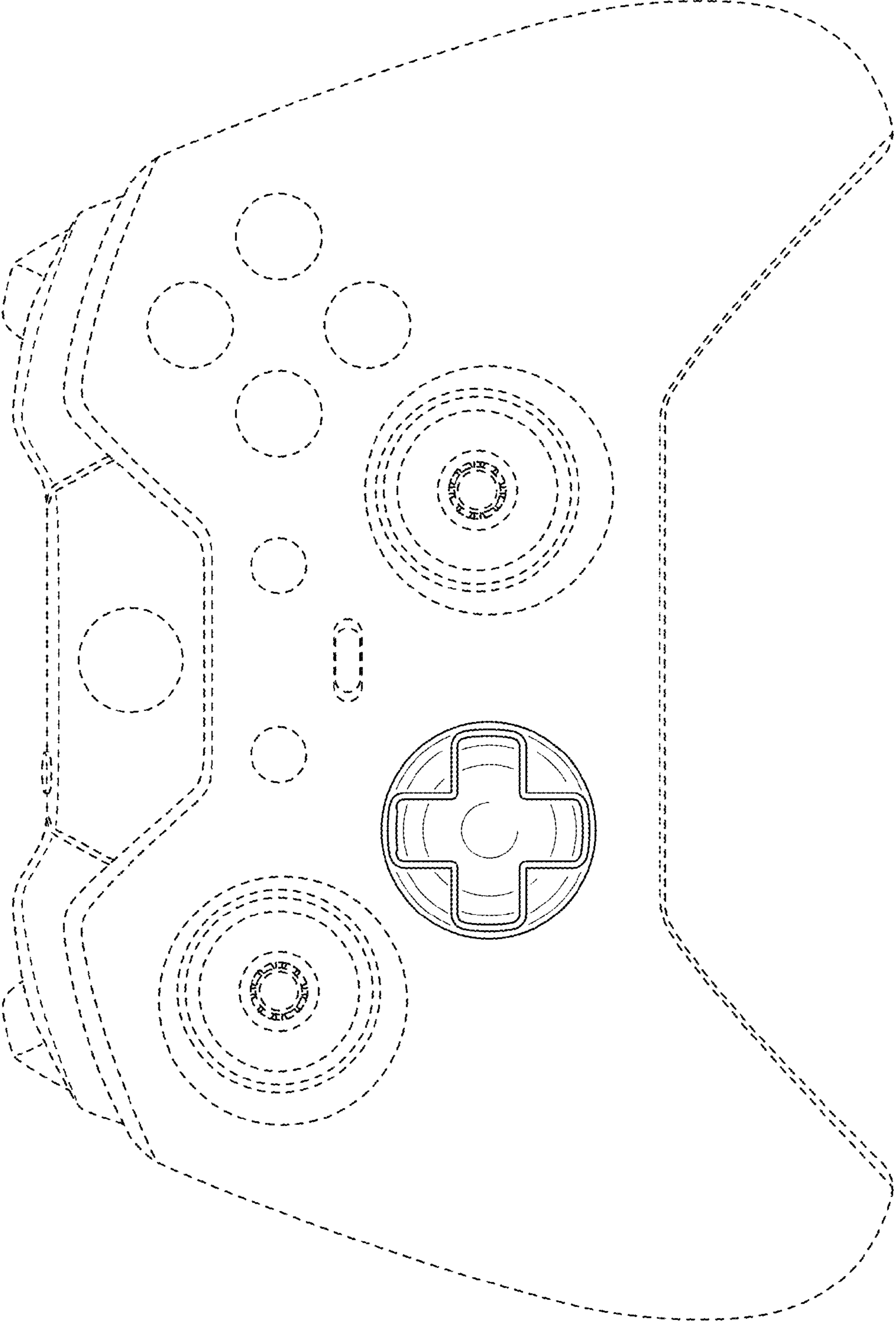


FIG. 2

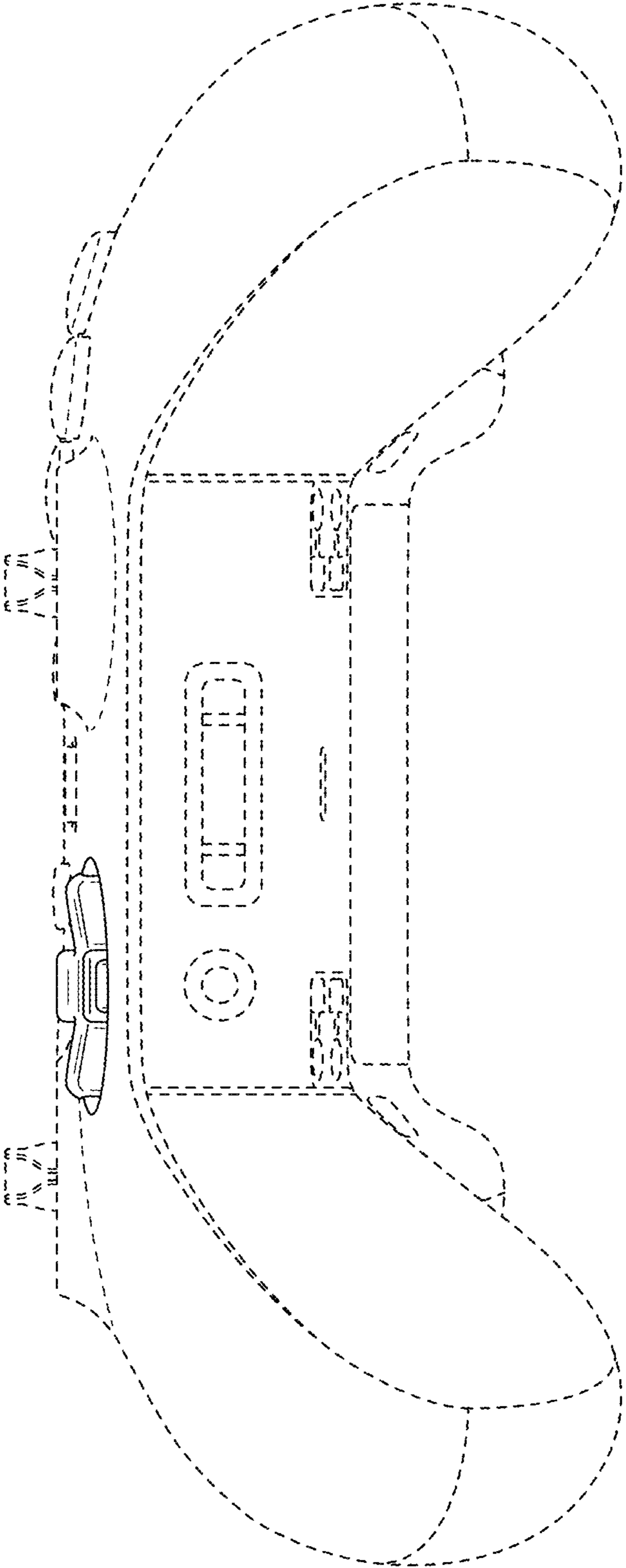


FIG. 3

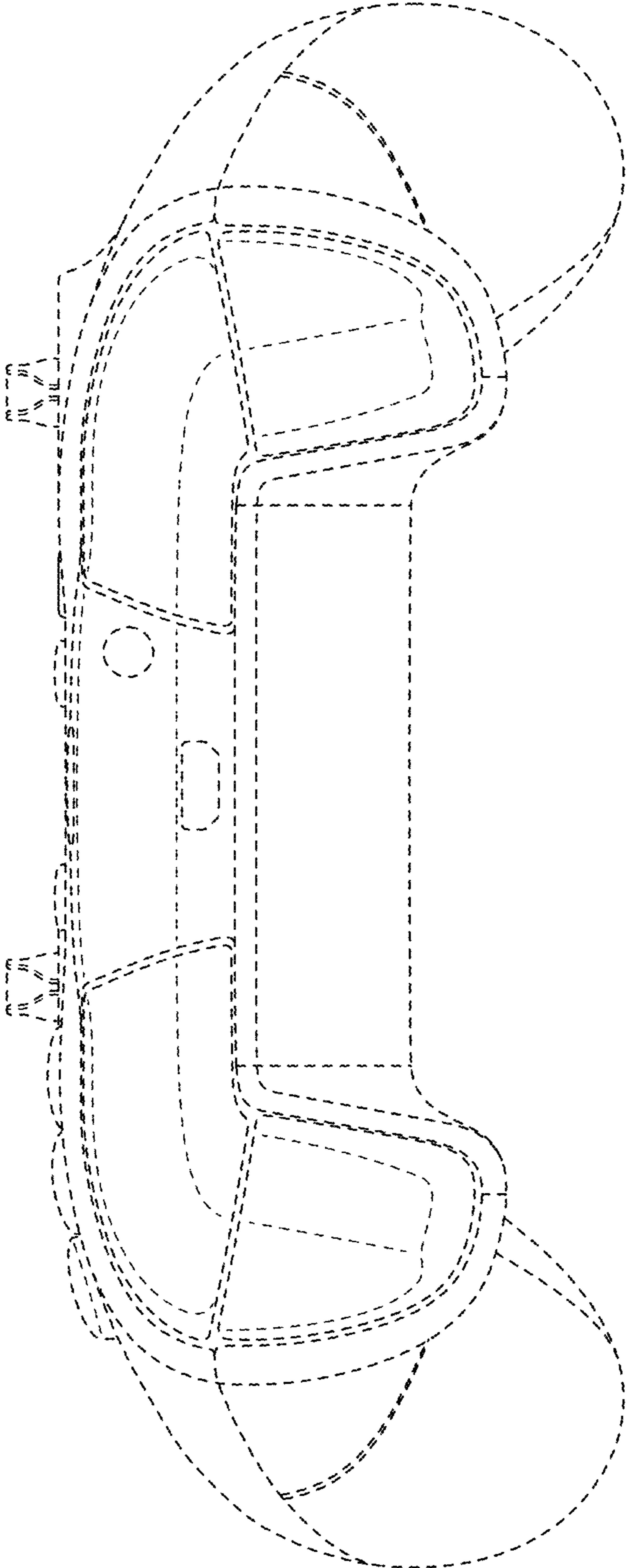


FIG. 4

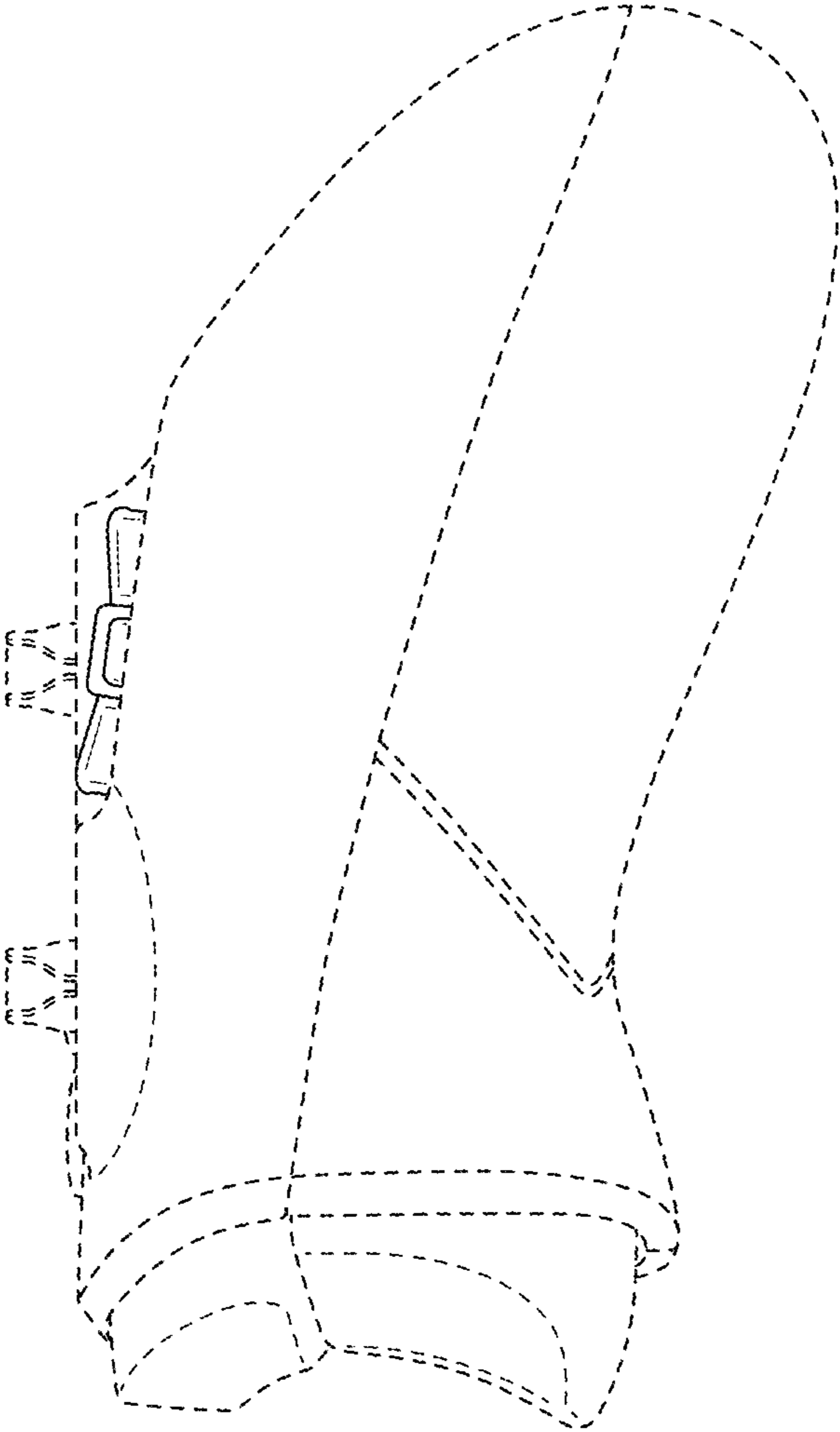


FIG. 5

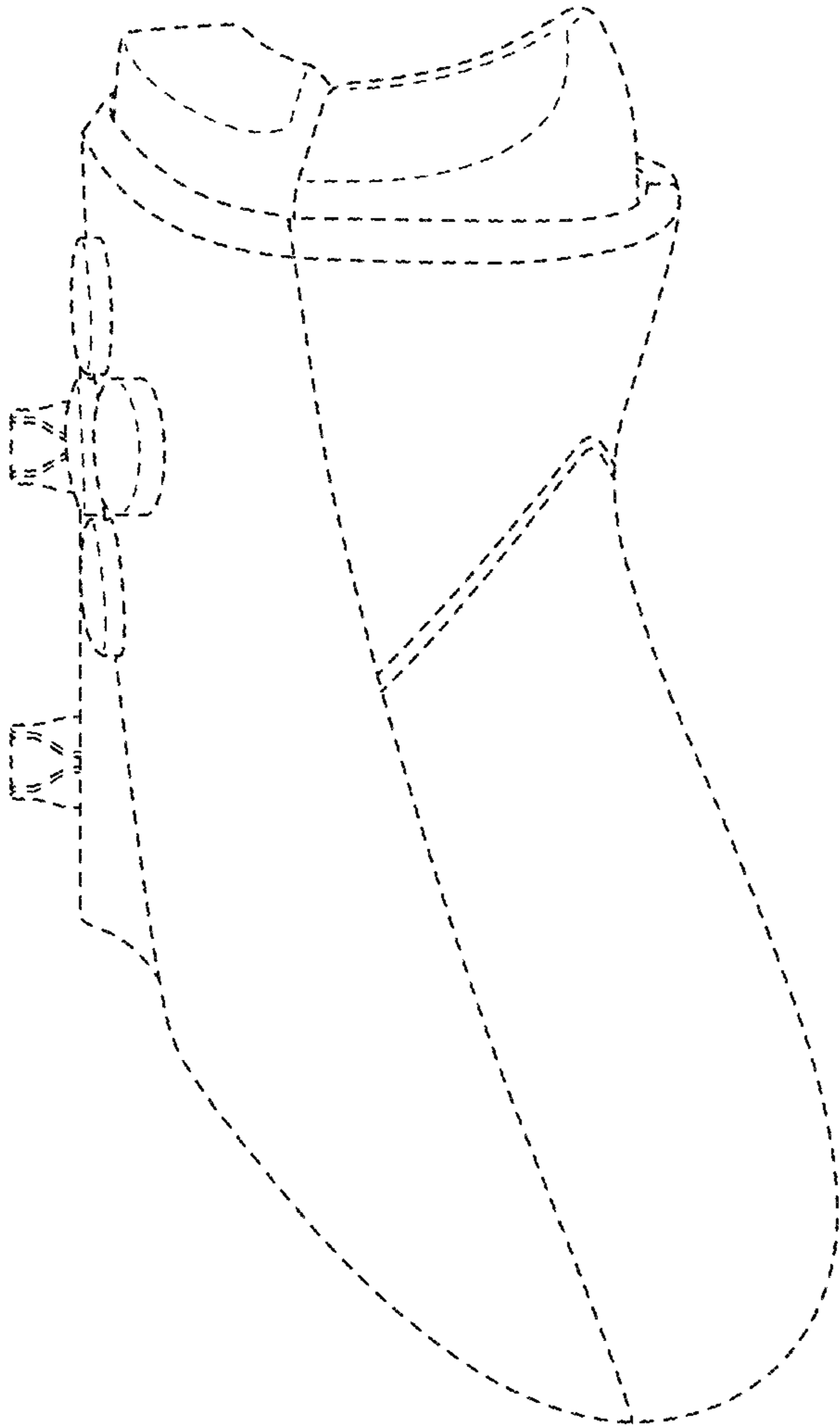


FIG. 6

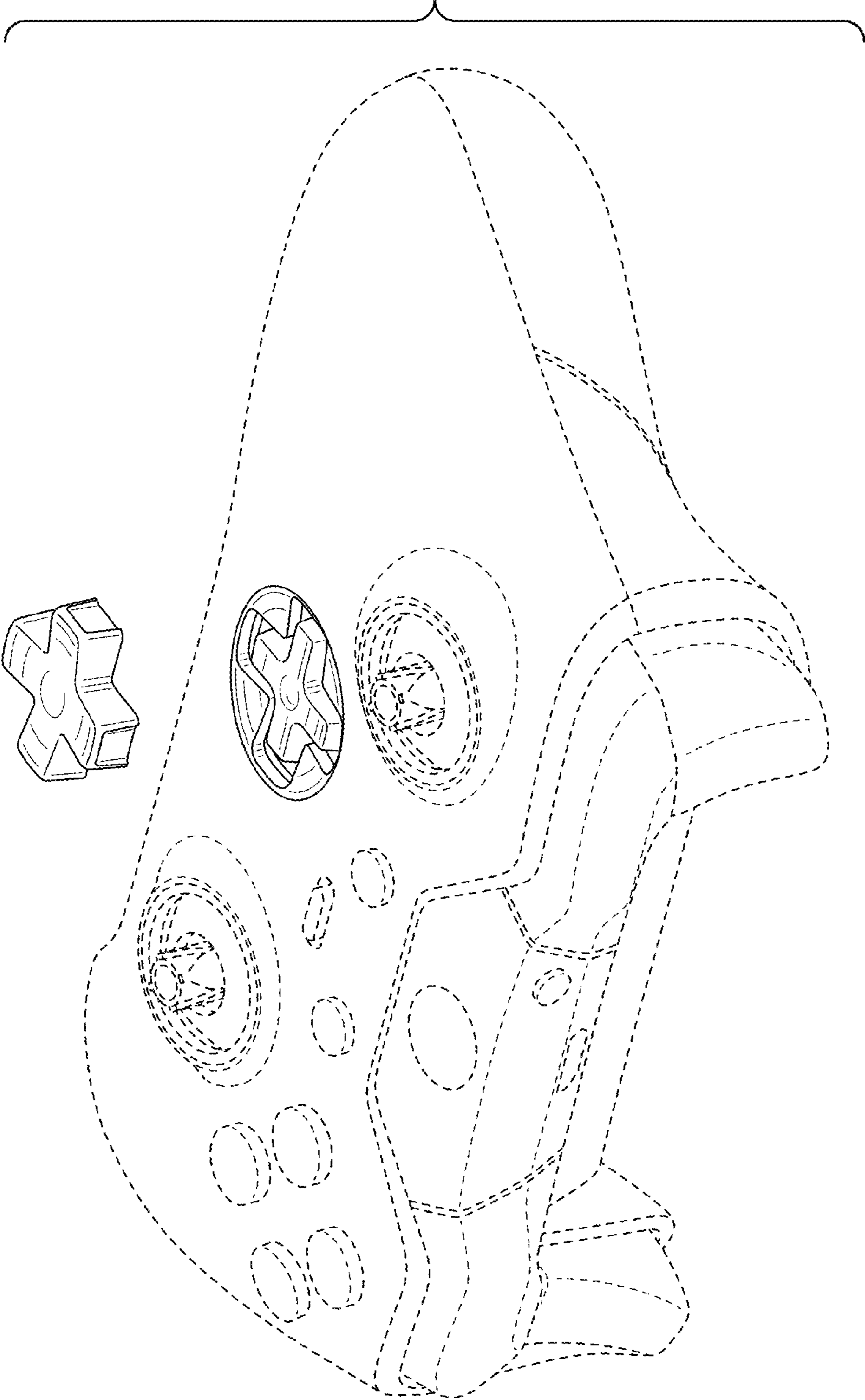


FIG. 7

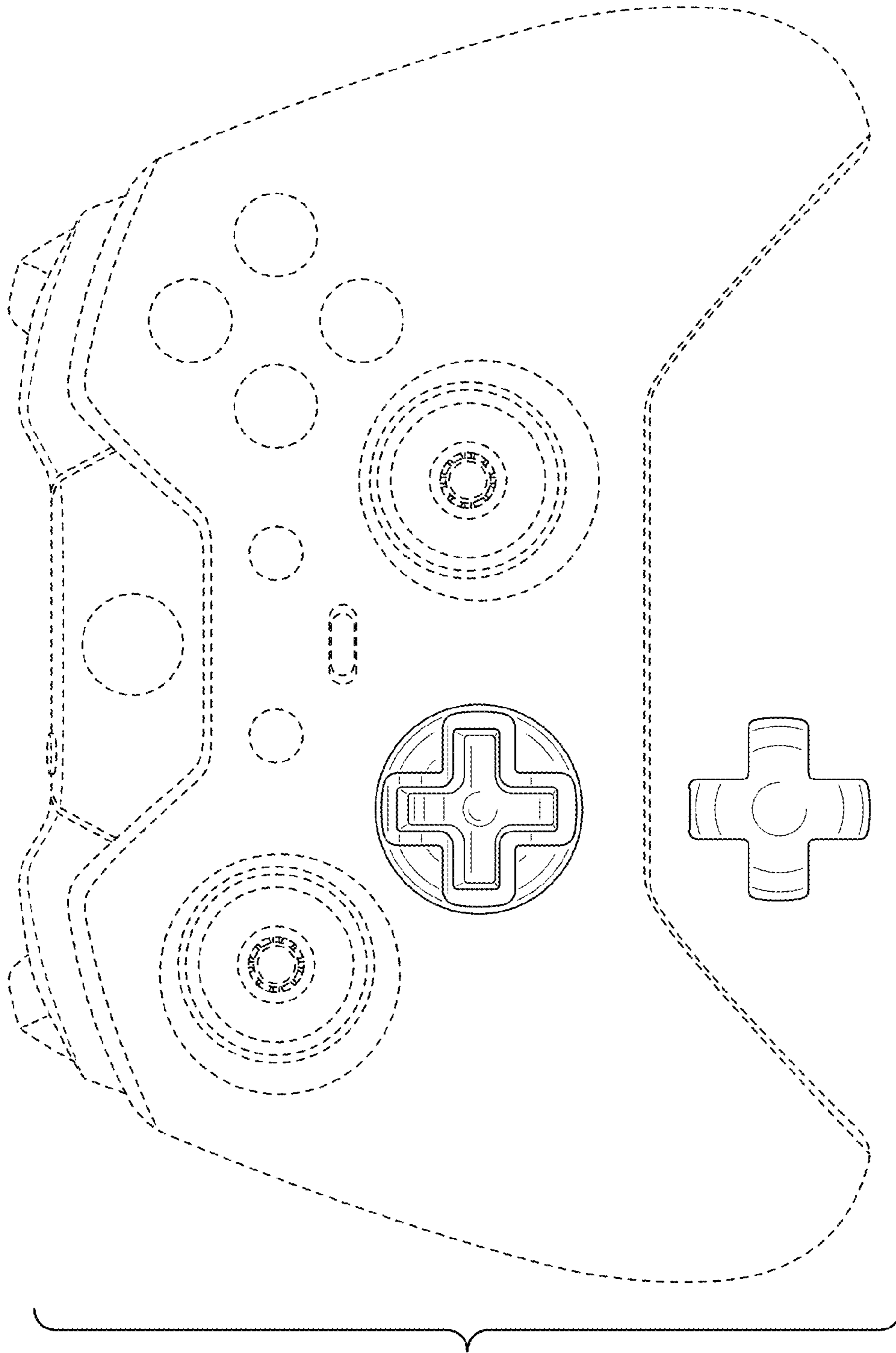


FIG. 8

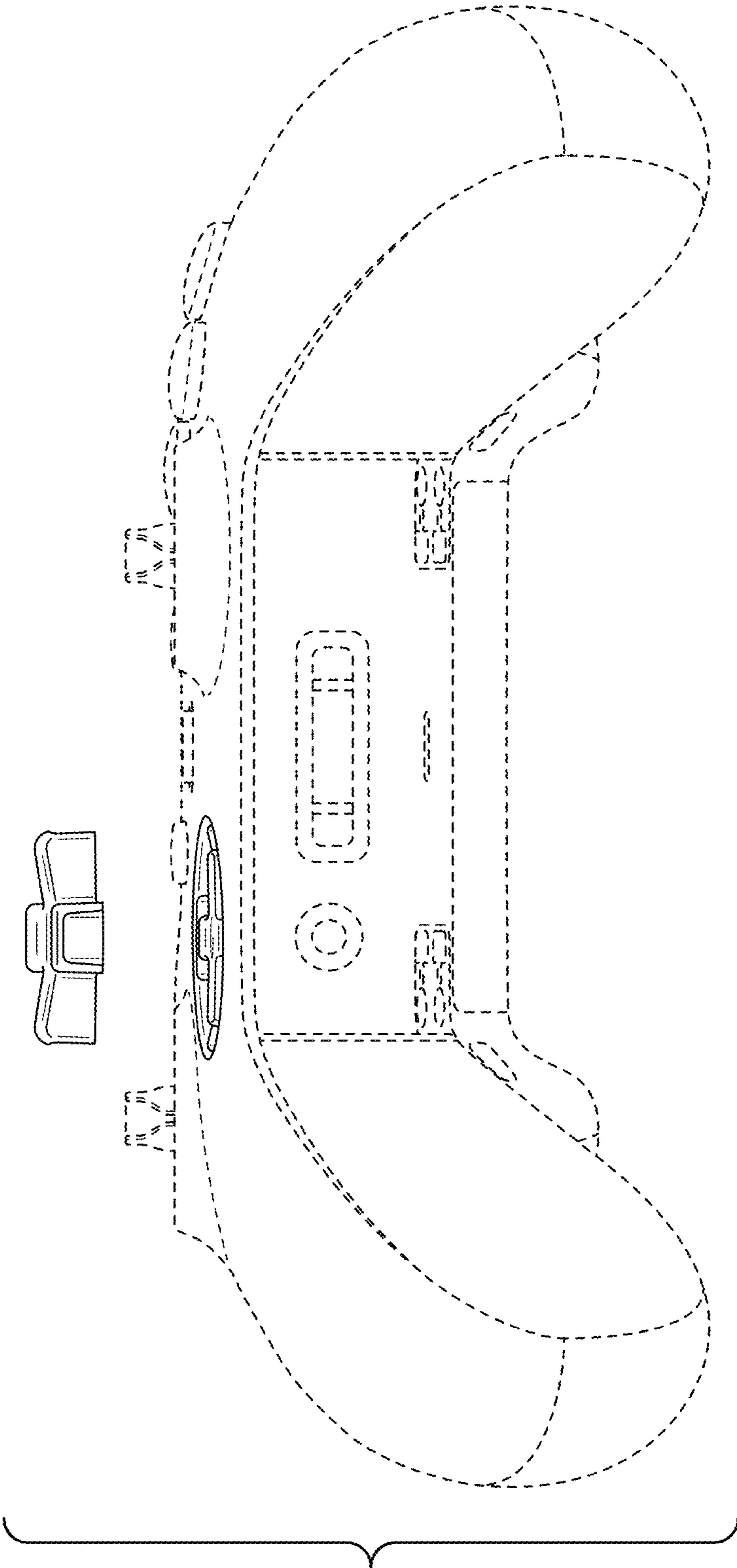


FIG. 9

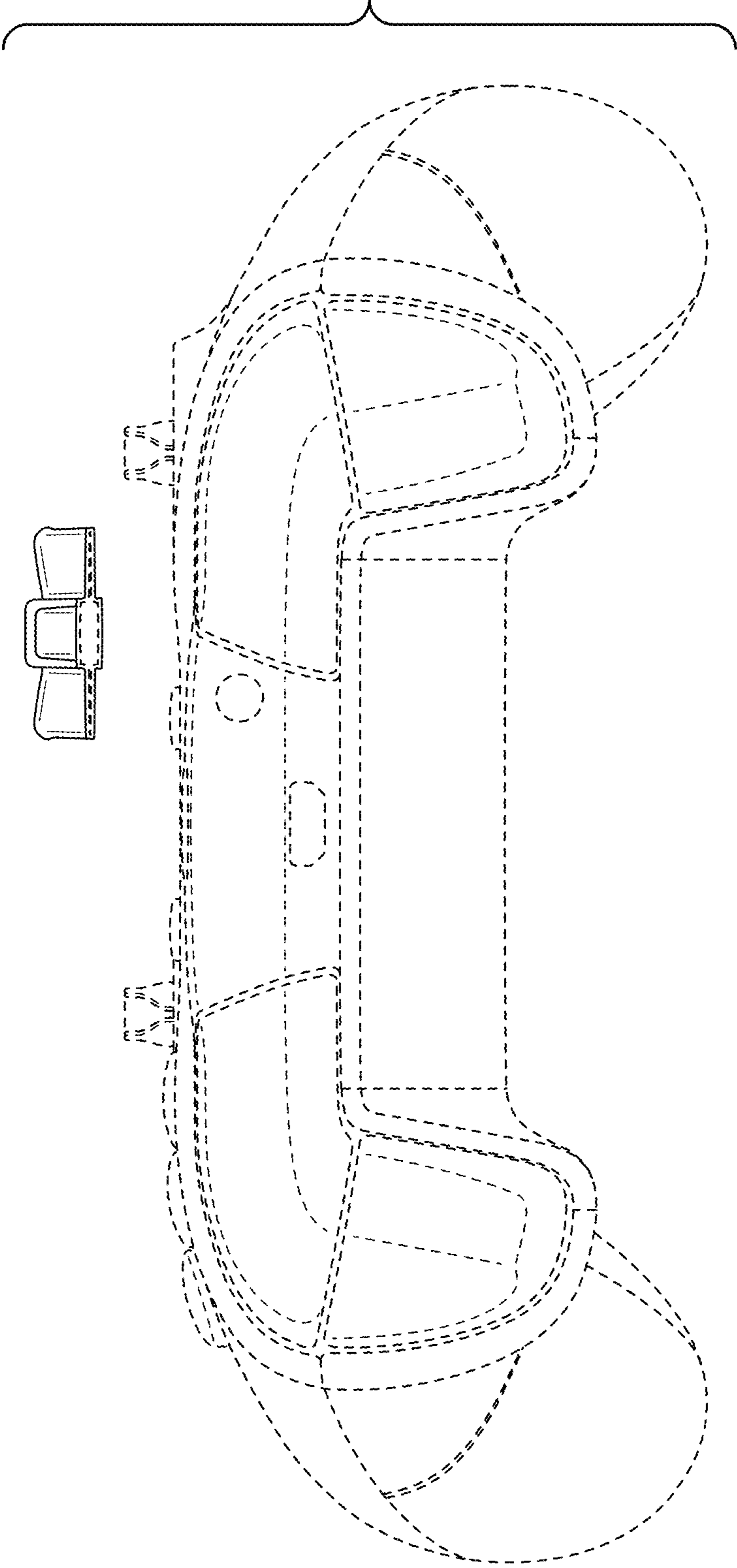


FIG. 10

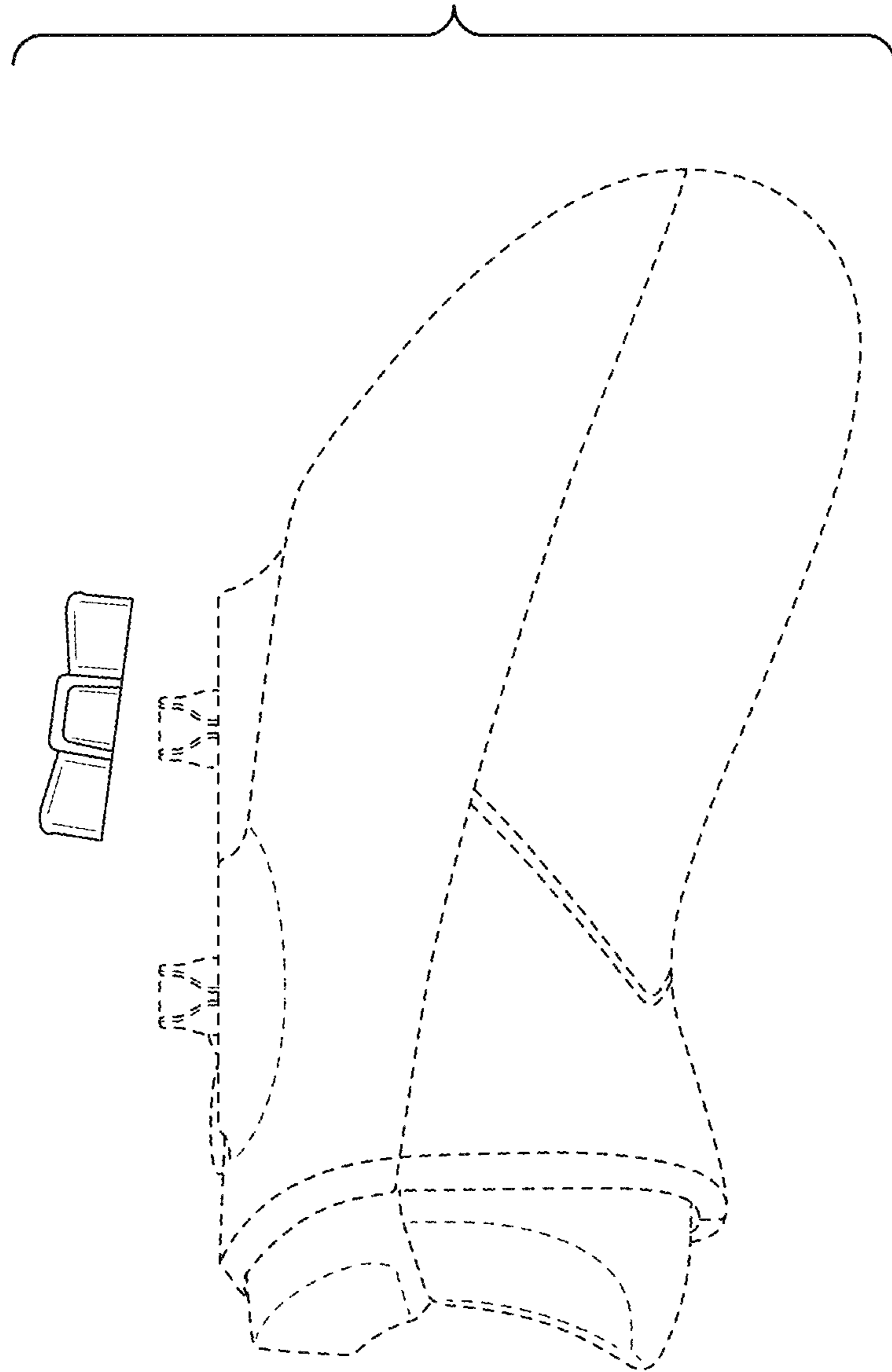


FIG. 11

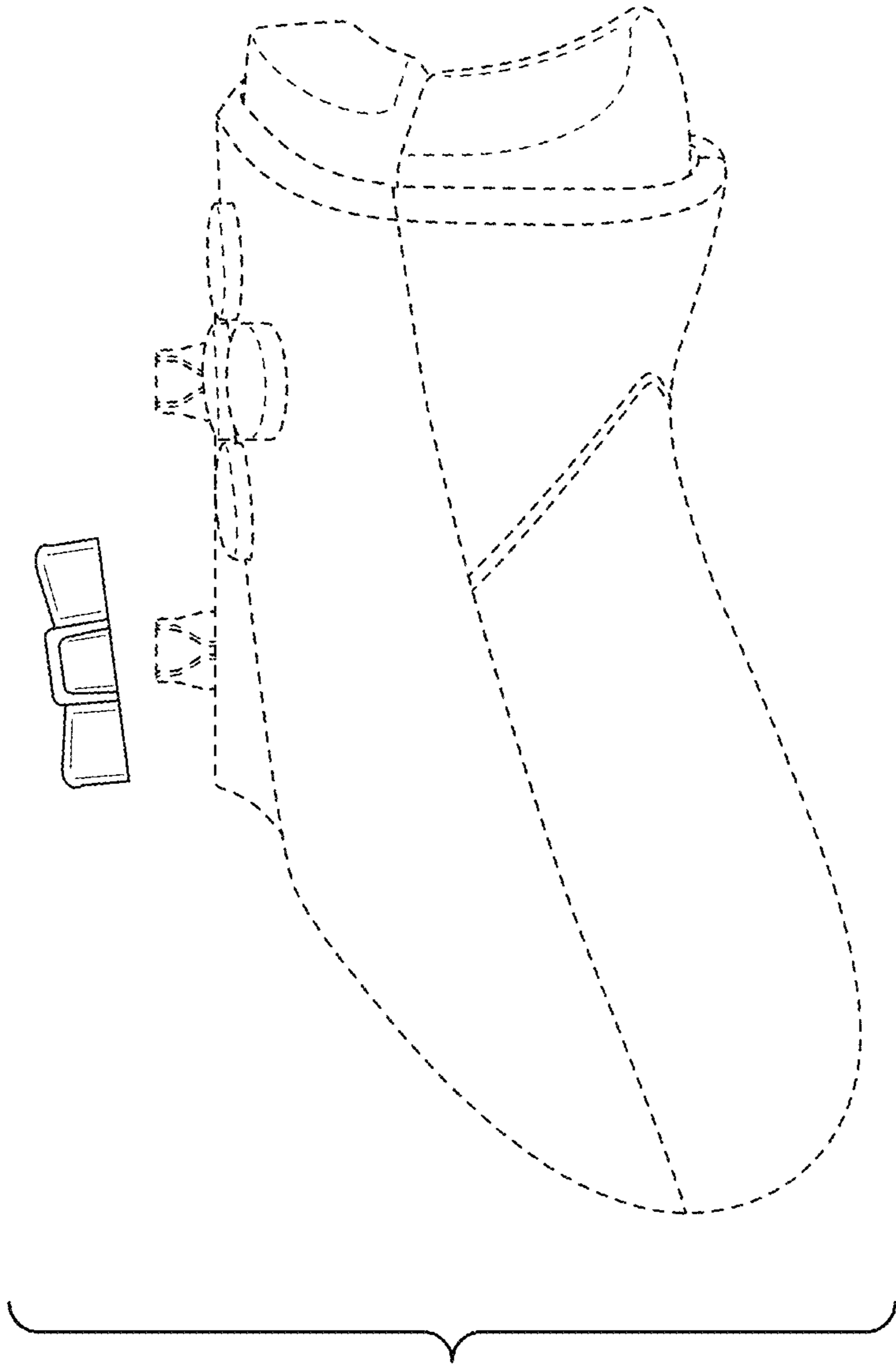


FIG. 12

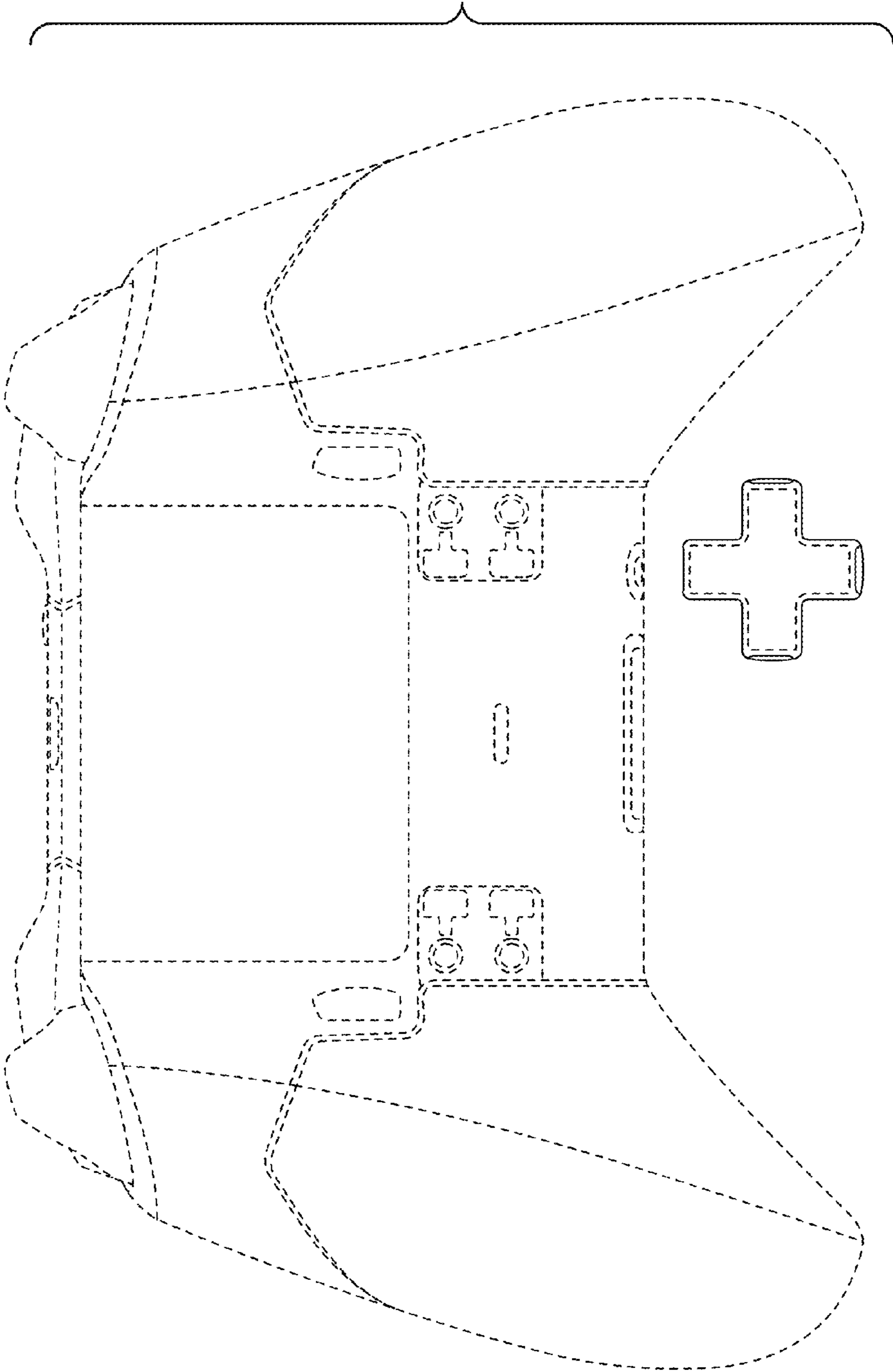


FIG. 13