

US00D766373S

(12) **United States Design Patent** (10) **Patent No.:** **US D766,373 S**  
**Schwartz** (45) **Date of Patent:** **\*\* Sep. 13, 2016**

(54) **SIGN HOLDER**  
(71) Applicant: **Target Brands, Inc.**, Minneapolis, MN (US)  
(72) Inventor: **Lily Schwartz**, Rogers, MN (US)  
(73) Assignee: **Target Brands, Inc.**, Minneapolis, MN (US)  
(\*\*) Term: **14 Years**

(21) Appl. No.: **29/515,041**

(22) Filed: **Jan. 20, 2015**

(51) **LOC (10) Cl.** ..... **20-03**

(52) **U.S. Cl.**  
USPC ..... **D20/43**

(58) **Field of Classification Search**  
USPC ..... D20/10, 42-44, 99; D6/553; D8/395; D25/119  
CPC ..... G09F 1/10; G09F 1/103; G09F 1/12; G09F 1/14; G09F 2001/106; G09F 3/18; G09F 3/185; G09F 3/20; G09F 3/201; G09F 3/202; G09F 3/204; G09F 7/10; G09F 7/18

See application file for complete search history.

(56) **References Cited**

**U.S. PATENT DOCUMENTS**

D57,831 S \* 5/1921 Frederick ..... D10/74  
2,548,027 A 4/1951 Kincaid  
4,698,928 A 10/1987 Soporowski  
4,881,707 A 11/1989 Garfinkle  
D314,017 S 1/1991 Garfinkle  
D348,485 S 7/1994 Short  
5,718,072 A 2/1998 Garfinkle  
5,788,089 A 8/1998 Garfinkle

6,012,244 A 1/2000 Begum et al.  
6,070,744 A 6/2000 Levinson et al.  
6,568,112 B2 5/2003 Lowry et al.  
D476,375 S 6/2003 Zadak et al.  
6,745,509 B1 6/2004 Lapp  
D504,160 S 4/2005 Abramson  
6,932,226 B2 8/2005 Hardy  
D516,632 S 3/2006 Alves  
D527,426 S 8/2006 Mason  
7,155,853 B2 1/2007 Valiulis  
D580,992 S 11/2008 Garfinkle  
D595,782 S 7/2009 Whitfield  
D645,095 S \* 9/2011 Garfinkle ..... D20/44  
8,689,474 B2 4/2014 Garfinkle  
D713,463 S 9/2014 Dougherty et al.  
2011/0239501 A1 10/2011 Ricci et al.

\* cited by examiner

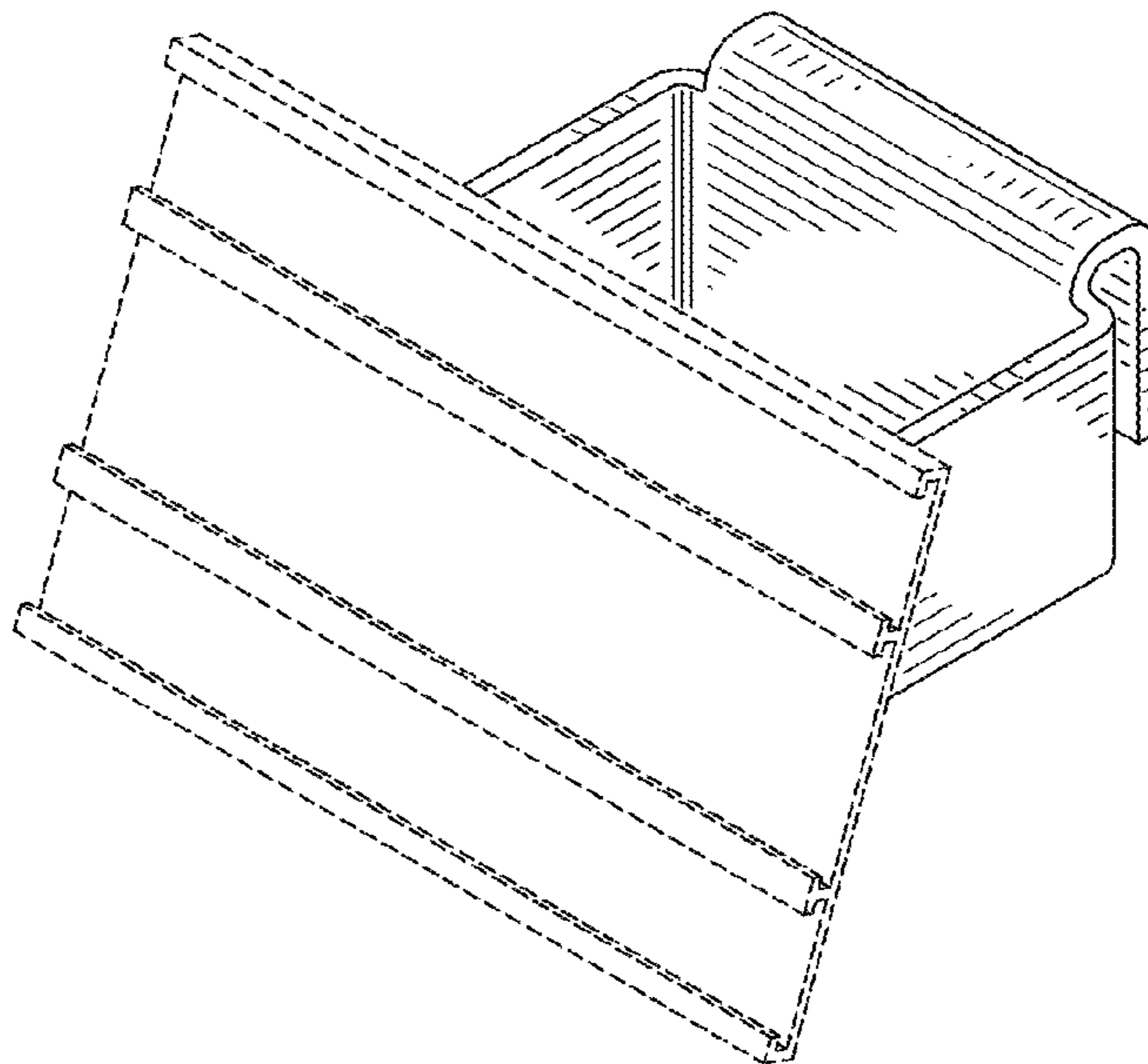
*Primary Examiner* — Mary Ann Calabrese  
(74) *Attorney, Agent, or Firm* — Leanne Taveggia Farrell; Westman, Champlin & Koehler, P.A.

(57) **CLAIM**  
The ornamental design for a sign holder, as shown and described.

**DESCRIPTION**

FIG. 1 is a perspective view of a sign holder showing our new design;  
FIG. 2 is a front view thereof;  
FIG. 3 is a back view thereof;  
FIG. 4 is a top view thereof;  
FIG. 5 is a bottom view thereof; and,  
FIG. 6 is a right side view thereof, the left side view being a mirror image.  
The broken lines illustrate portions of the sign holder and form no part of the claimed design.

**1 Claim, 2 Drawing Sheets**



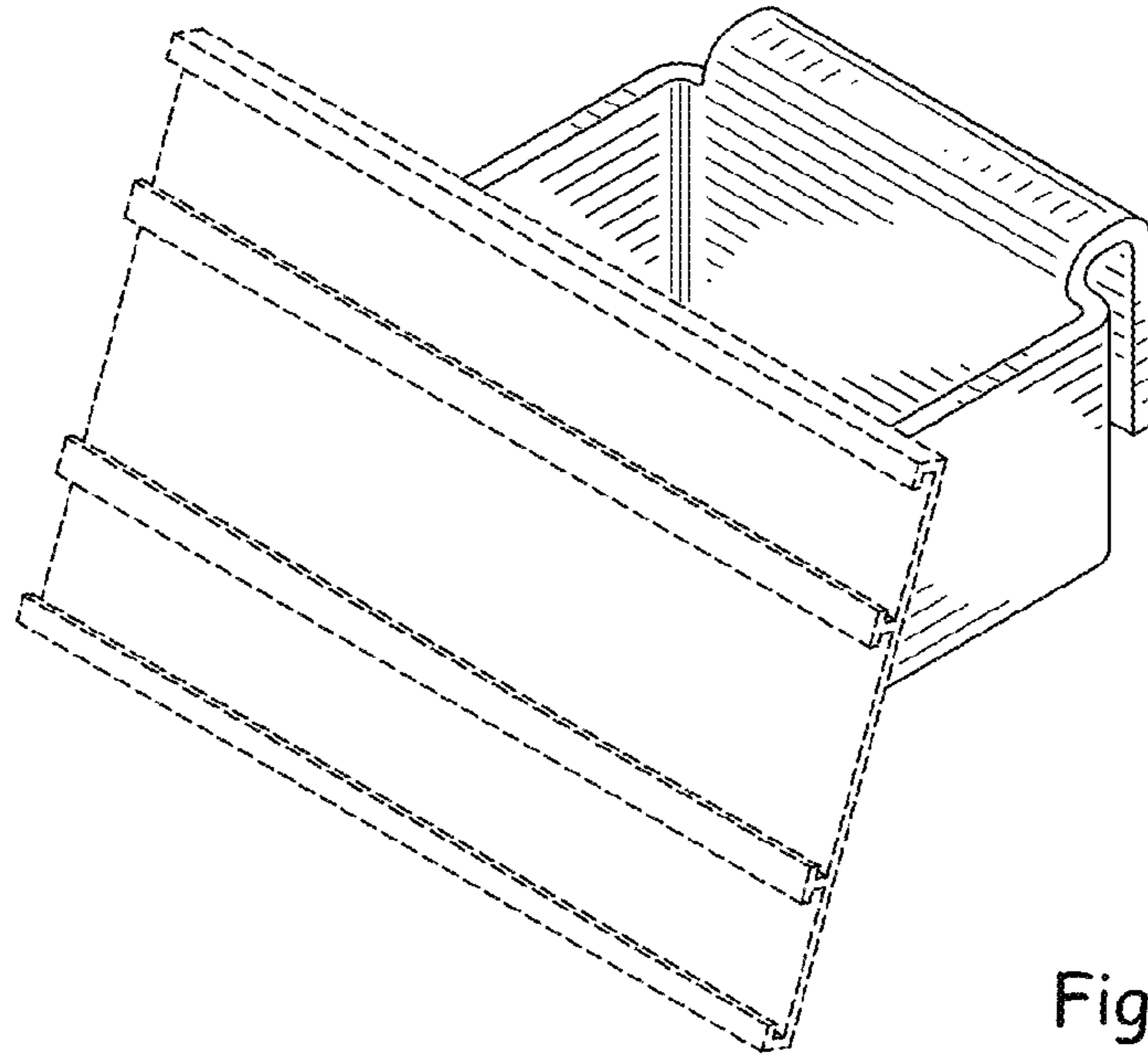


Fig. 1

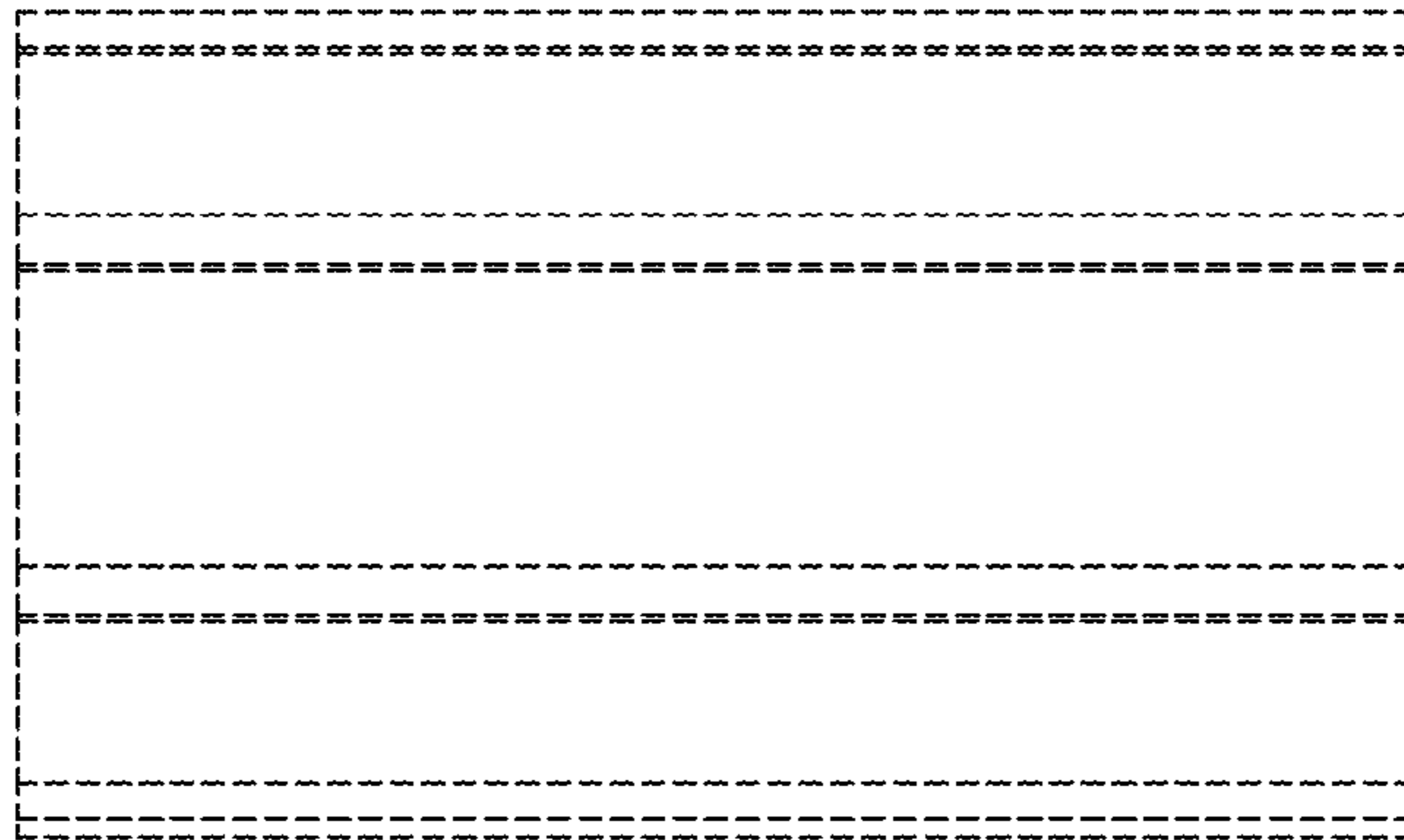


Fig. 2

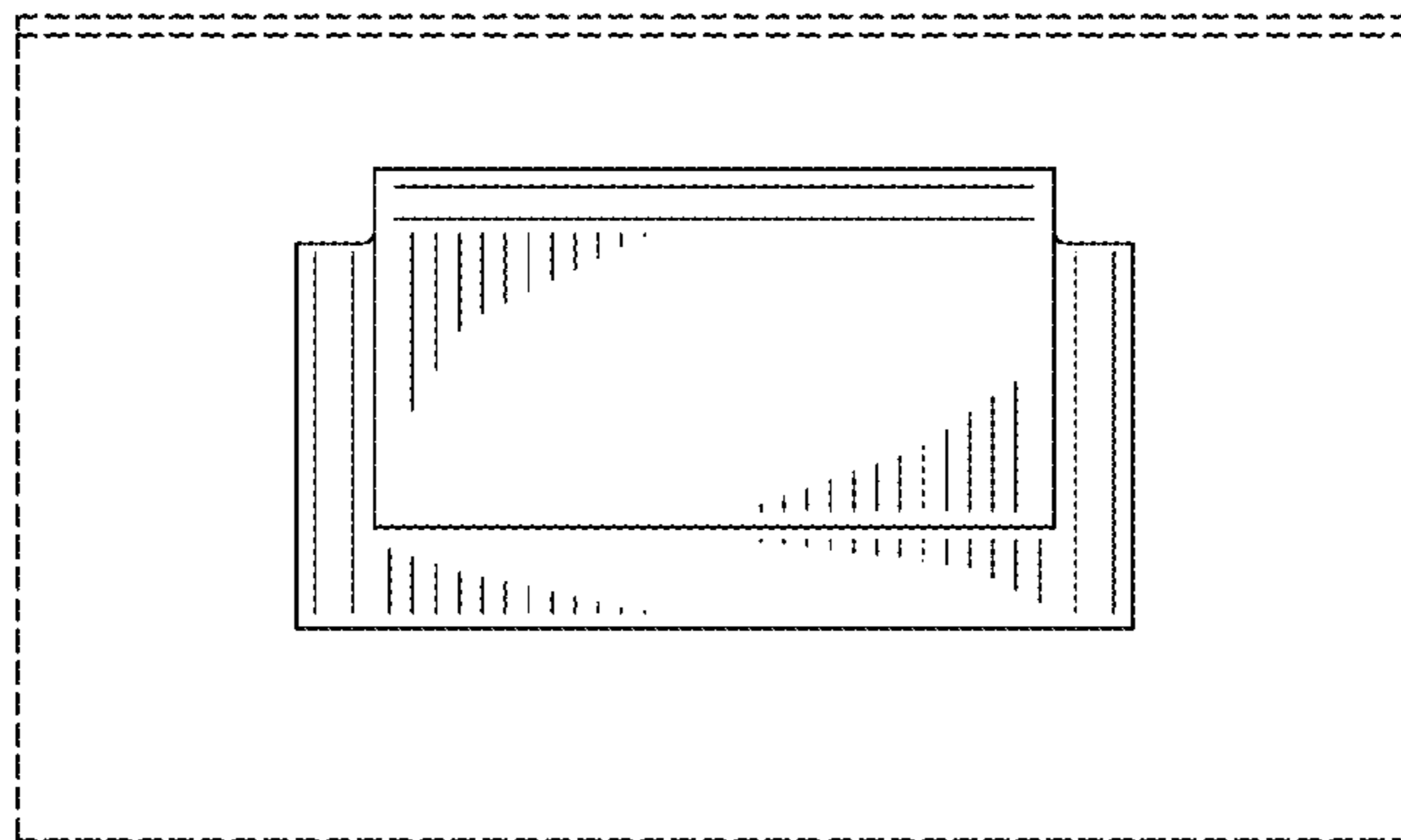


Fig. 3

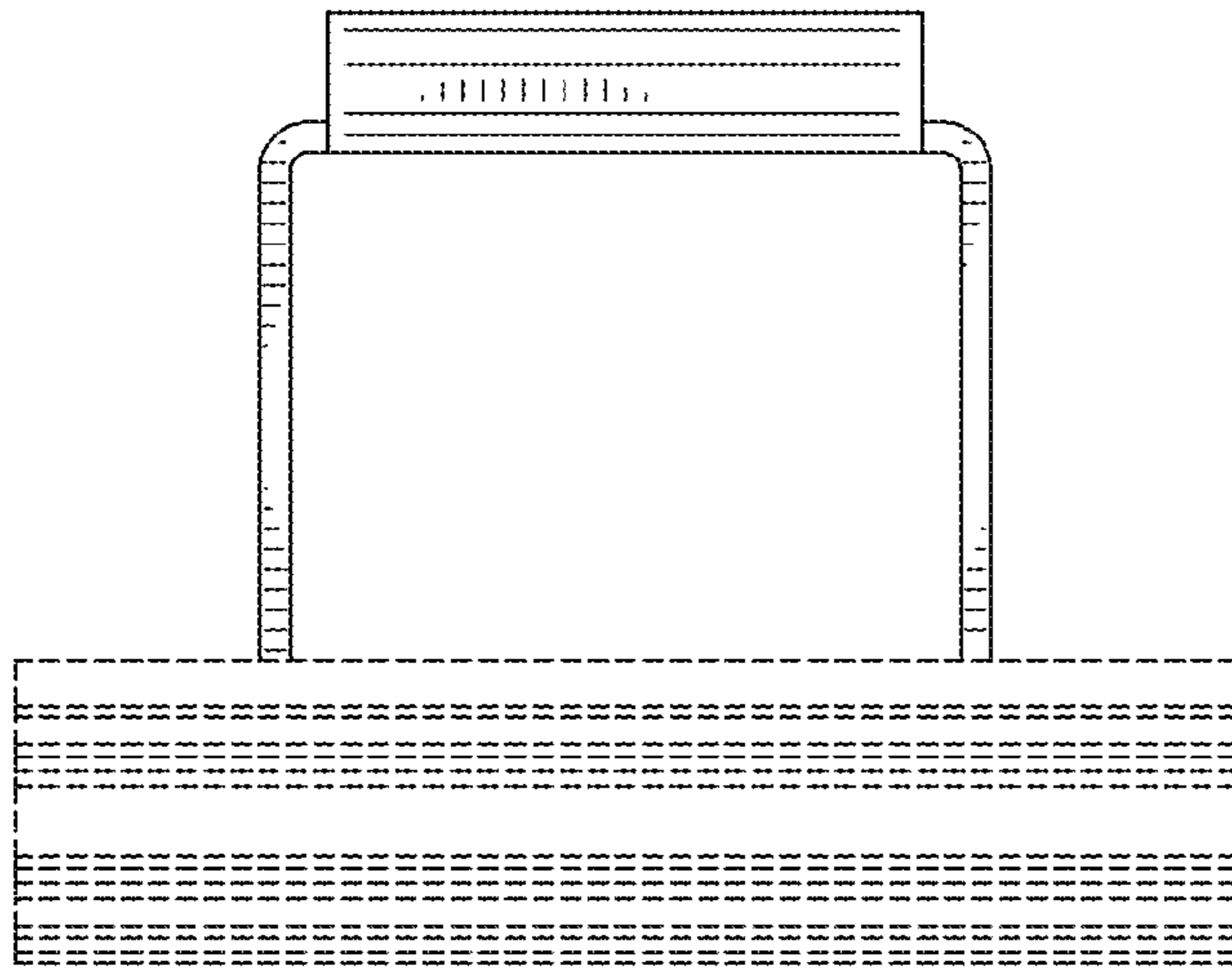


Fig. 4

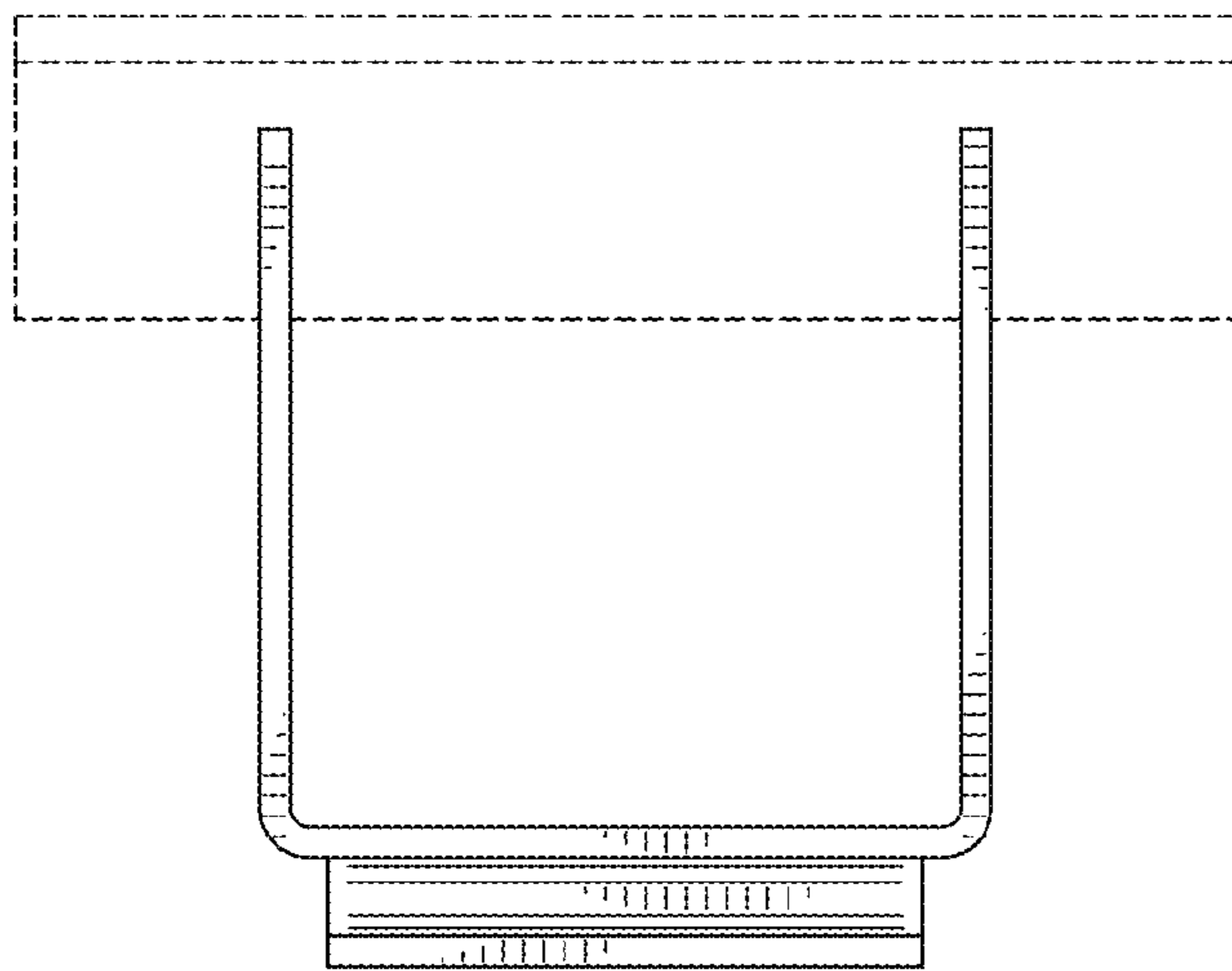


Fig. 5

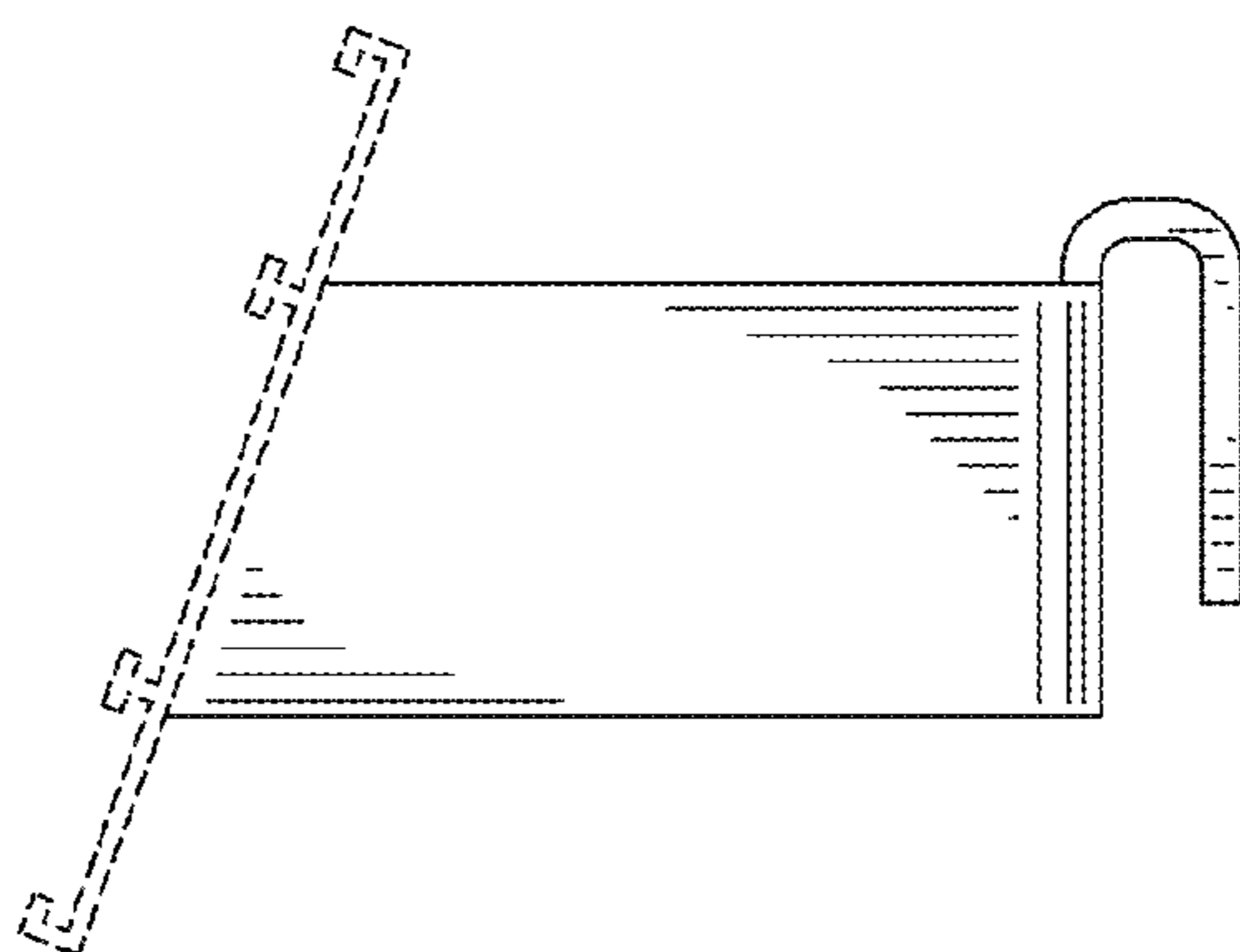


Fig. 6