



US00D766372S

(12) **United States Design Patent** (10) **Patent No.:** **US D766,372 S**  
**Fung** (45) **Date of Patent:** **\*\* Sep. 13, 2016**

(54) **WALL MOUNTED GUMBALL MACHINE**

3,077,254 A 2/1963 Goldfarb  
3,937,314 A \* 2/1976 Rosenberg ..... G07F 11/44  
194/255  
4,667,848 A \* 5/1987 Gold ..... A47F 1/10  
221/154  
D303,994 S \* 10/1989 Lee ..... D20/7  
5,004,122 A 4/1991 Poynter  
D331,997 S 12/1992 Nottingham  
D333,681 S \* 3/1993 Stern ..... D20/7  
D453,532 S 2/2002 Semeniuk  
D539,849 S \* 4/2007 Chang ..... D20/4  
D540,877 S 4/2007 Schwarzli

(71) Applicant: **Sweet N Fun Ltd.**, Kowloon (HK)

(72) Inventor: **Candona Fung**, Kowloon (HK)

(73) Assignee: **Sweet N Fun Ltd.**, Hong Kong (HK)

(\*\*) Term: **15 Years**

(21) Appl. No.: **29/545,861**

(22) Filed: **Nov. 17, 2015**

(51) **LOC (10) Cl.** ..... **20-01**

(52) **U.S. Cl.**  
USPC ..... **D20/7**

(58) **Field of Classification Search**  
USPC ..... D20/1-9; D99/28  
CPC ..... G07F 11/00; G07F 11/02; G07F 11/04;  
G07F 11/10; G07F 11/16; G07F 11/30;  
G07F 11/38; G07F 11/62; G07F 9/105;  
A47F 3/0434; A47F 1/10  
See application file for complete search history.

(56) **References Cited**

**U.S. PATENT DOCUMENTS**

D61,589 S \* 10/1922 Mabey ..... D20/7  
D81,818 S \* 8/1930 Vogel ..... D20/7  
2,694,480 A \* 11/1954 Mason ..... G07F 11/44  
194/297  
D186,684 S \* 11/1959 Tarrson ..... D20/7

\* cited by examiner

*Primary Examiner* — Mary Ann Calabrese

(74) *Attorney, Agent, or Firm* — Raymond Sun

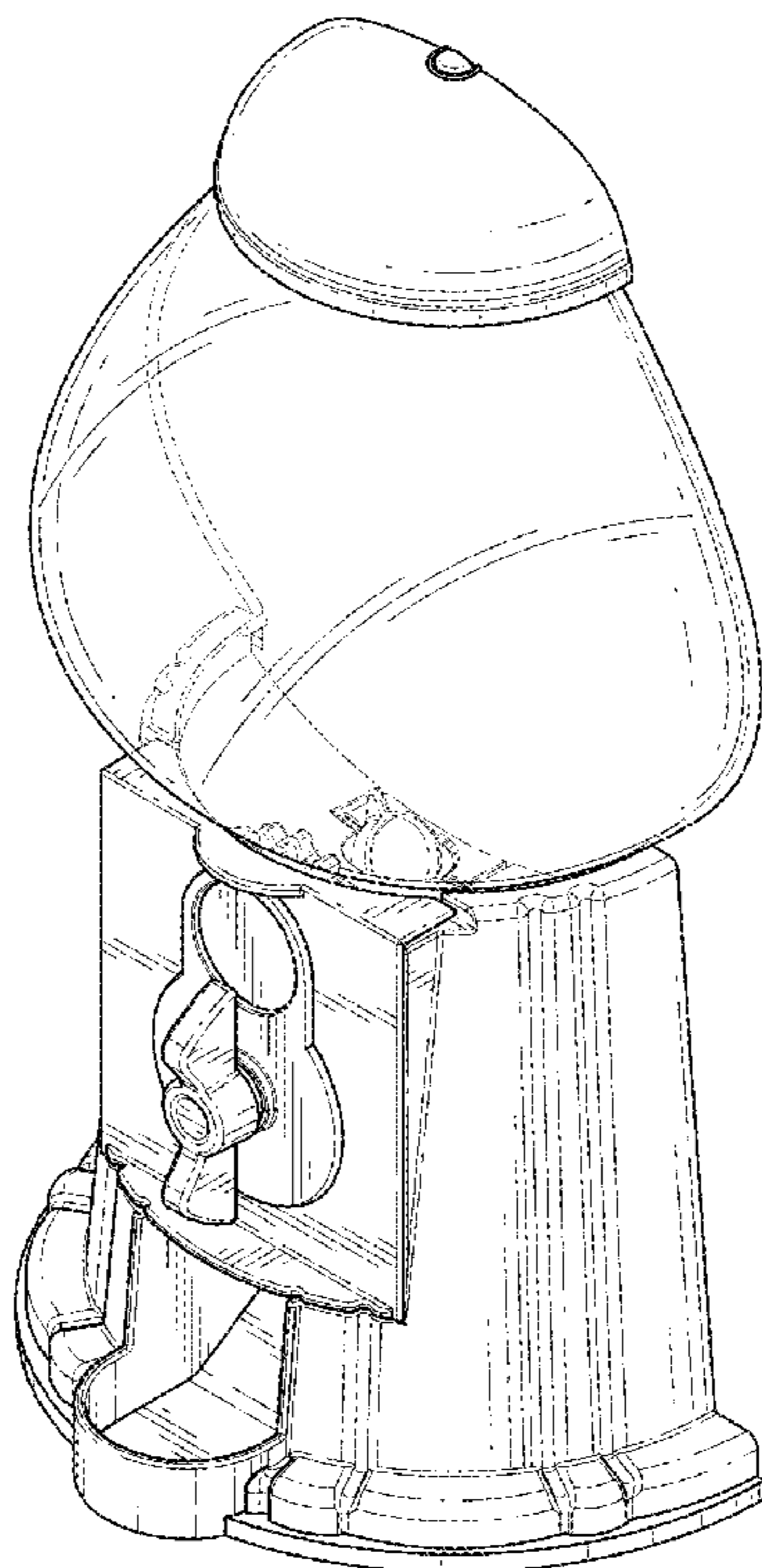
(57) **CLAIM**

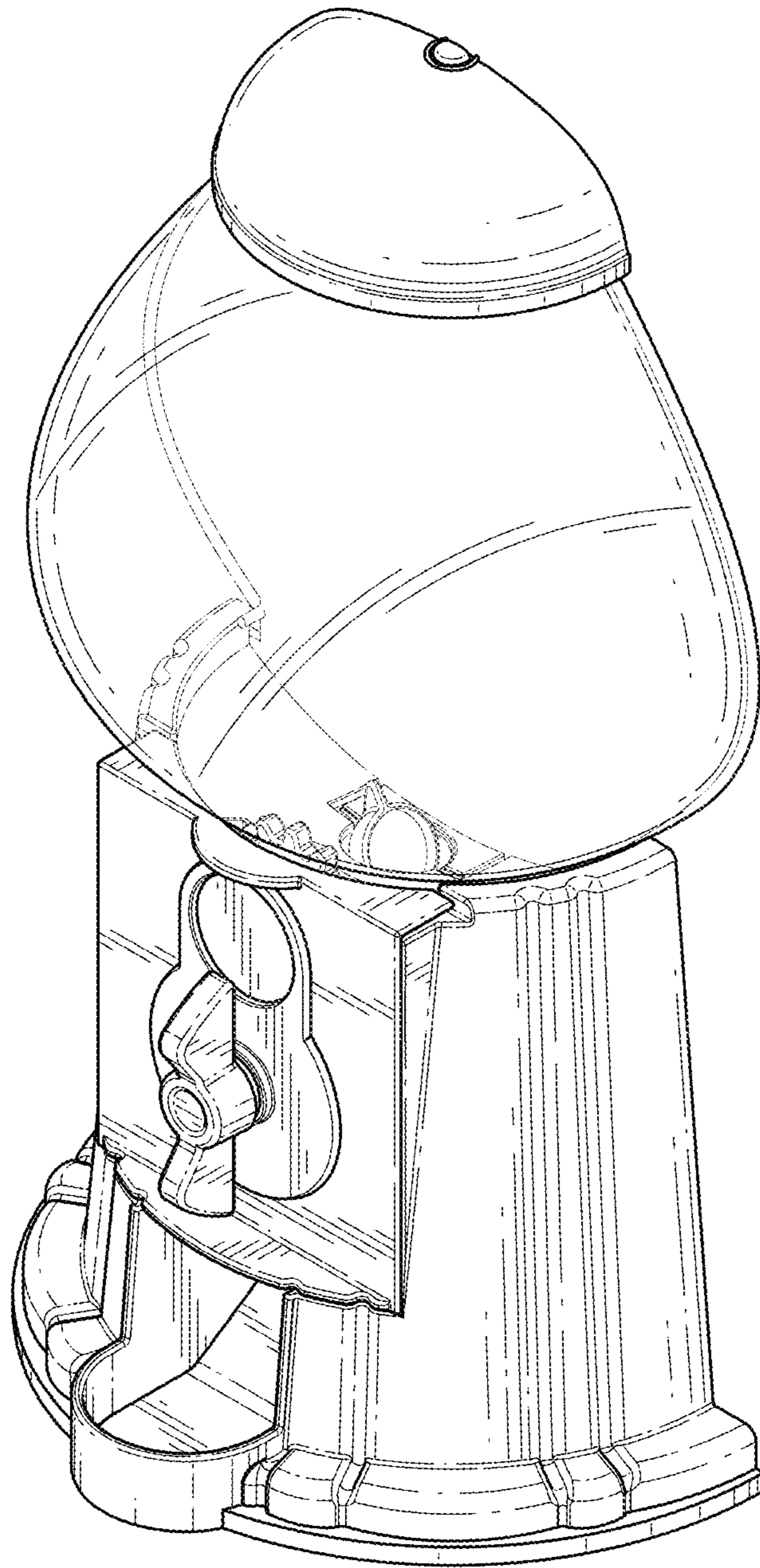
The ornamental design for a wall mounted gumball machine, as shown and described.

**DESCRIPTION**

FIG. 1 is a perspective view of a wall mounted gumball machine showing my new design.  
FIG. 2 is a front view thereof;  
FIG. 3 is a rear view thereof;  
FIG. 4 is a right view thereof;  
FIG. 5 is left view thereof;  
FIG. 6 is a top view thereof; and,  
FIG. 7 is a bottom view thereof.  
The portion of the wall mounted gumball machine shown in broken lines form no part of the claimed design.

**1 Claim, 4 Drawing Sheets**





*FIG. 1*

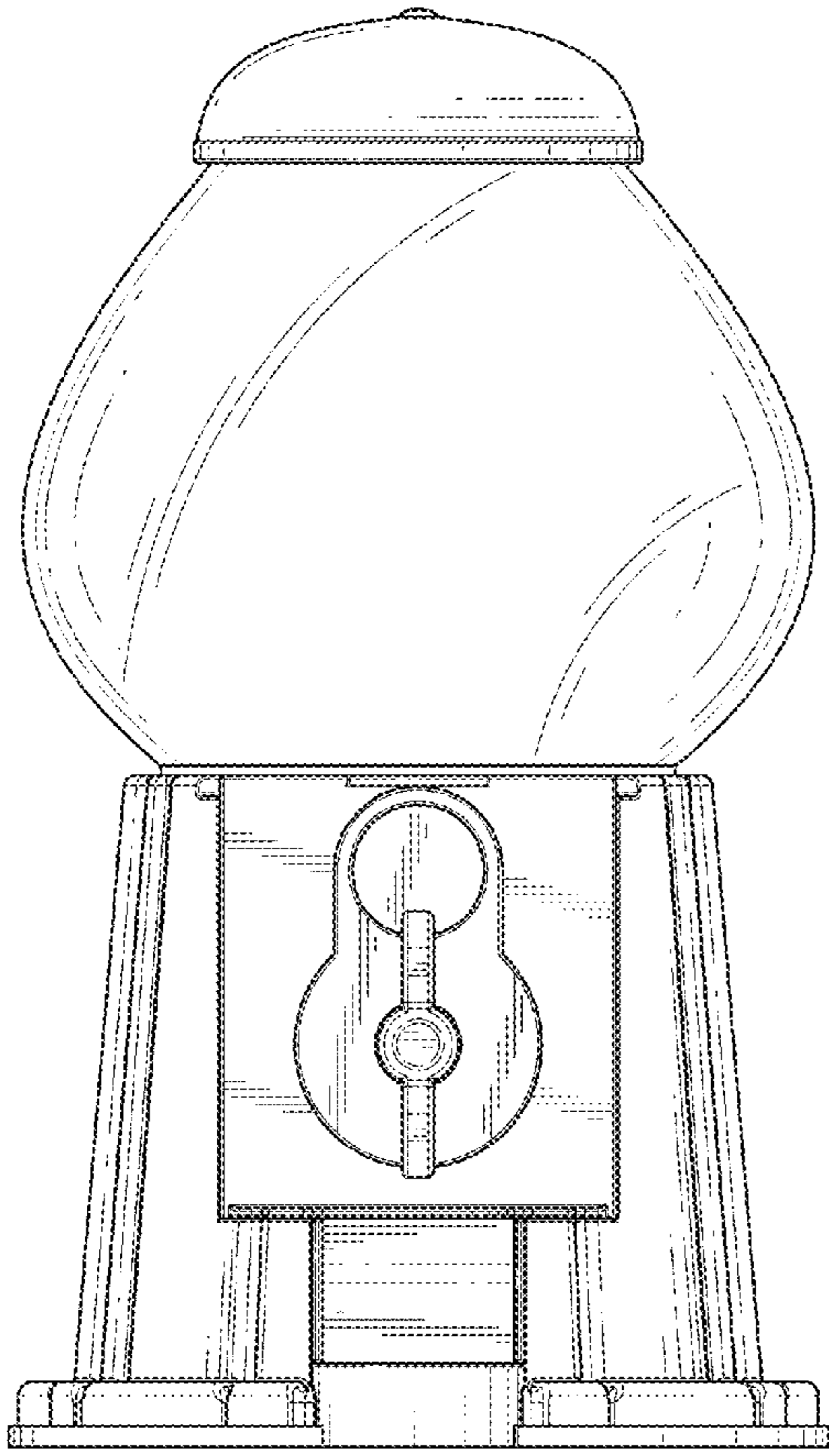


FIG. 2

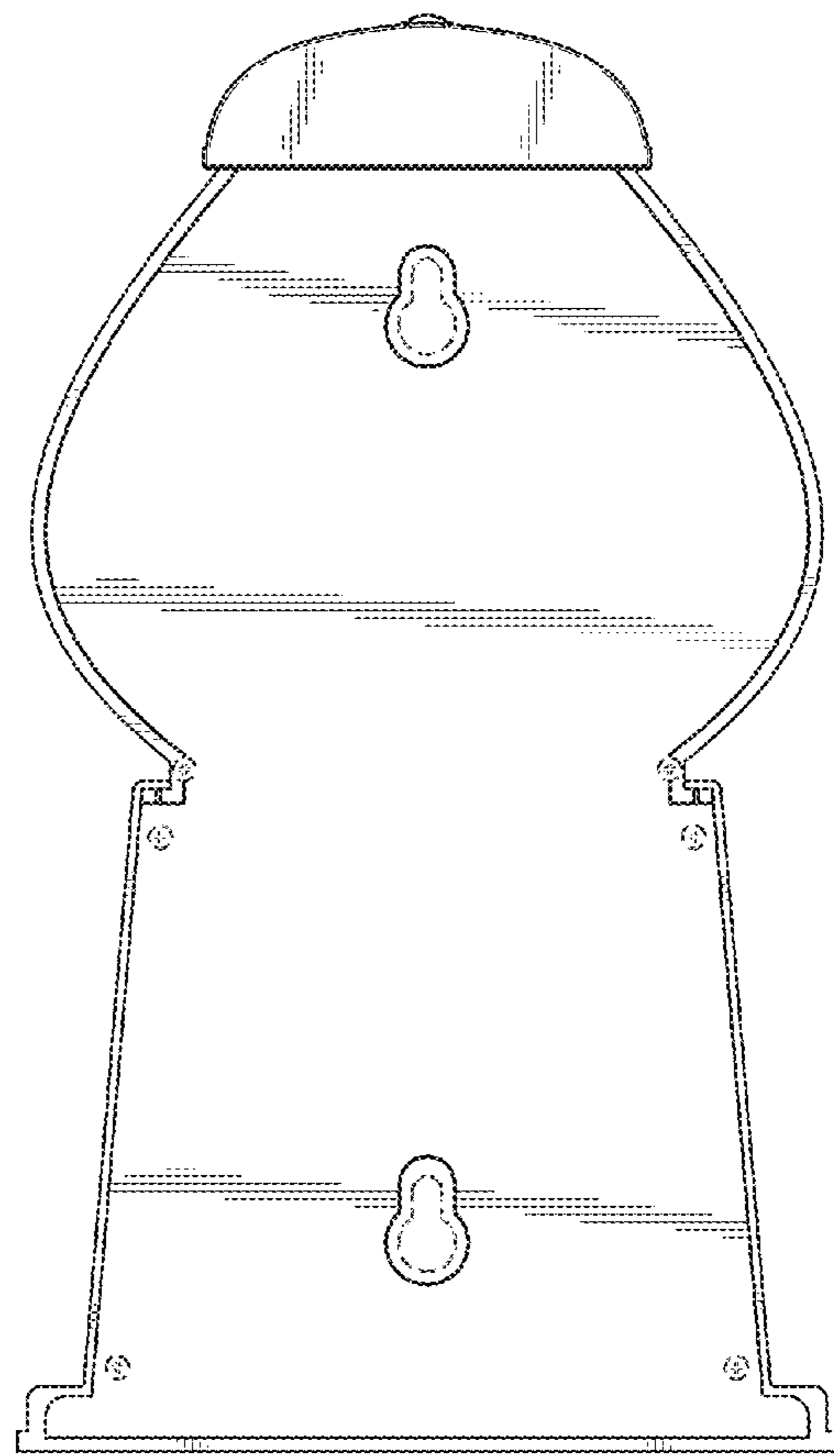


FIG. 3

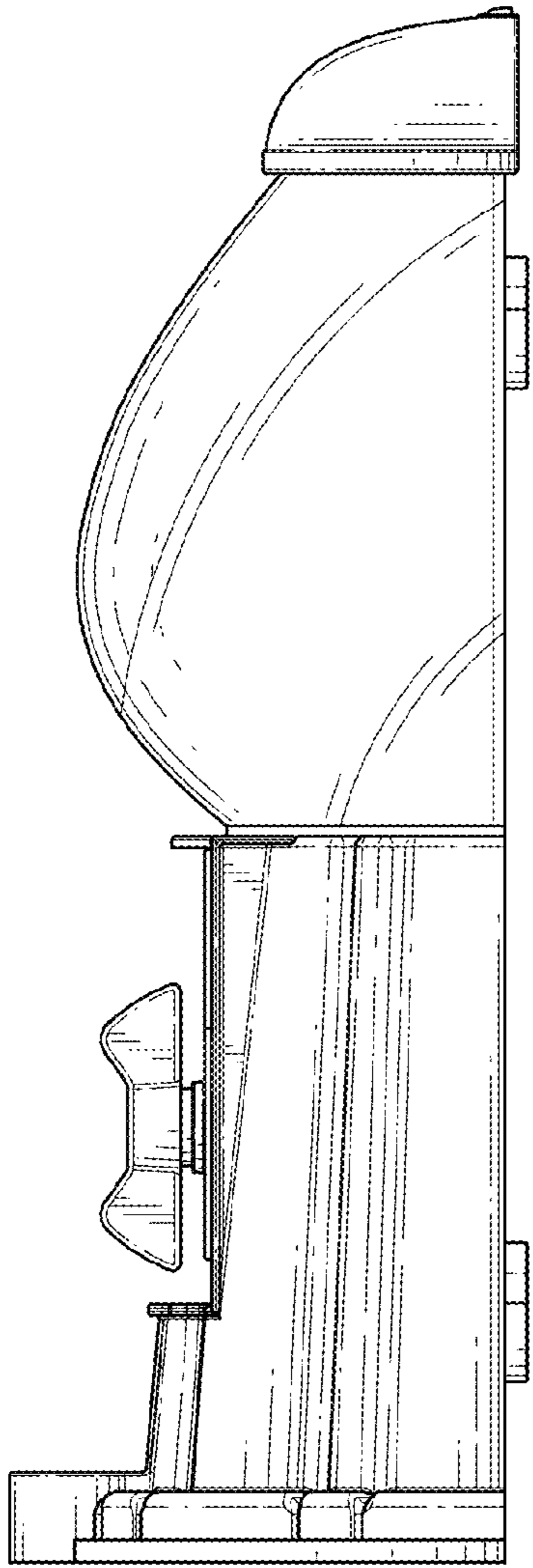


FIG. 4

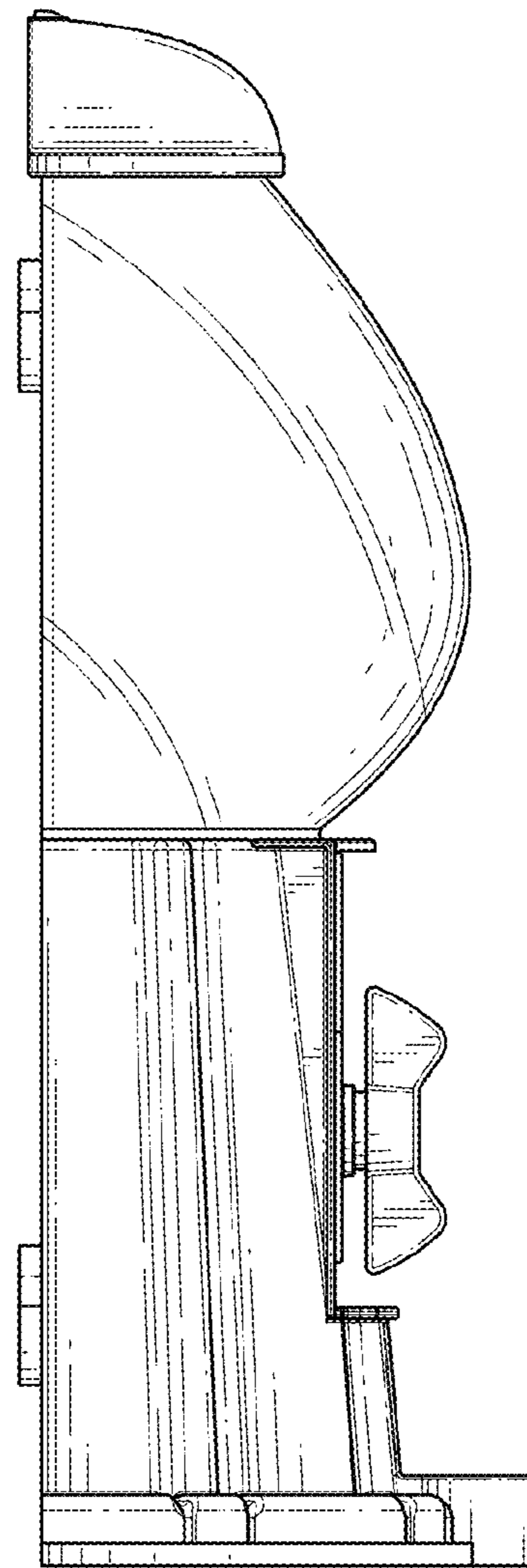
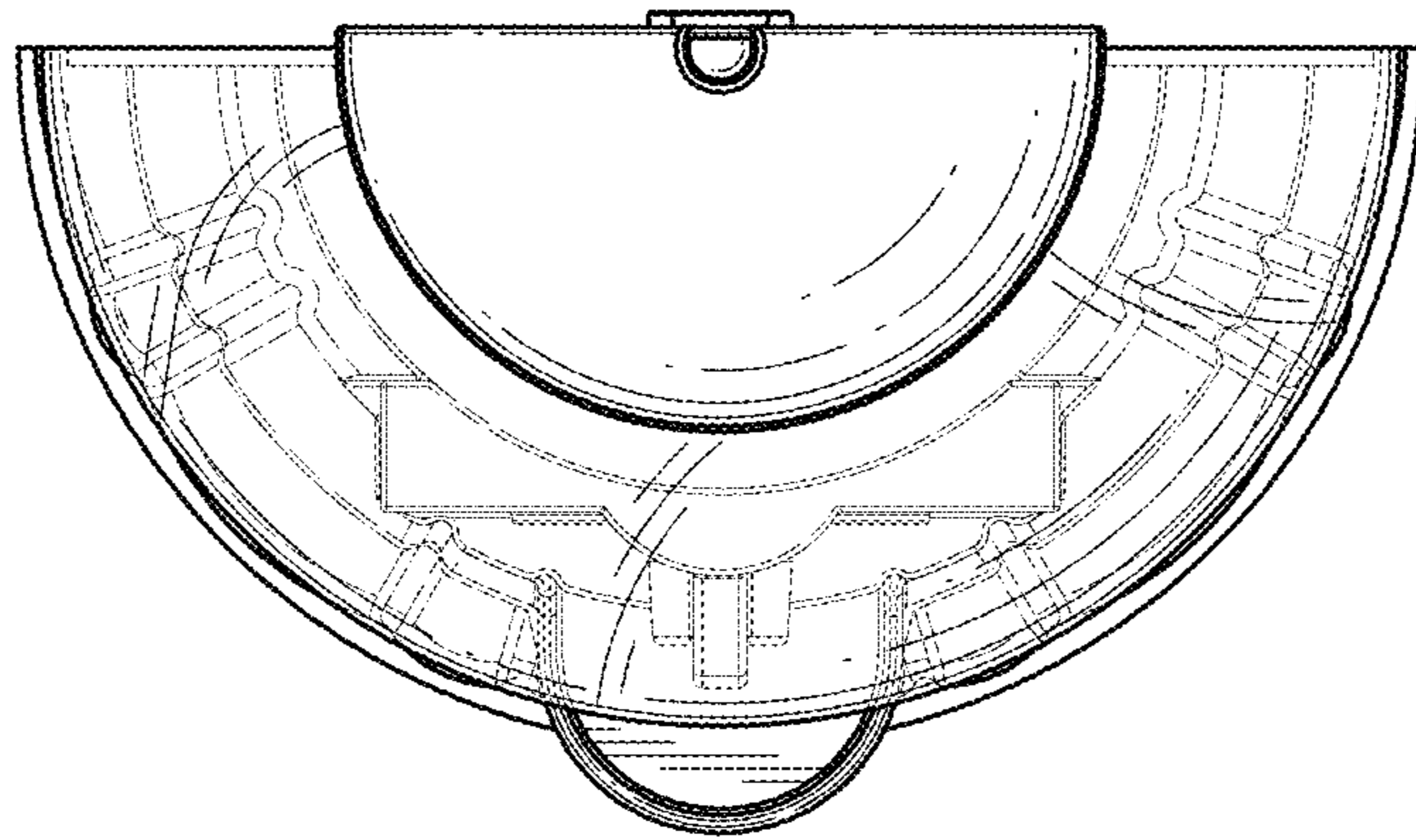
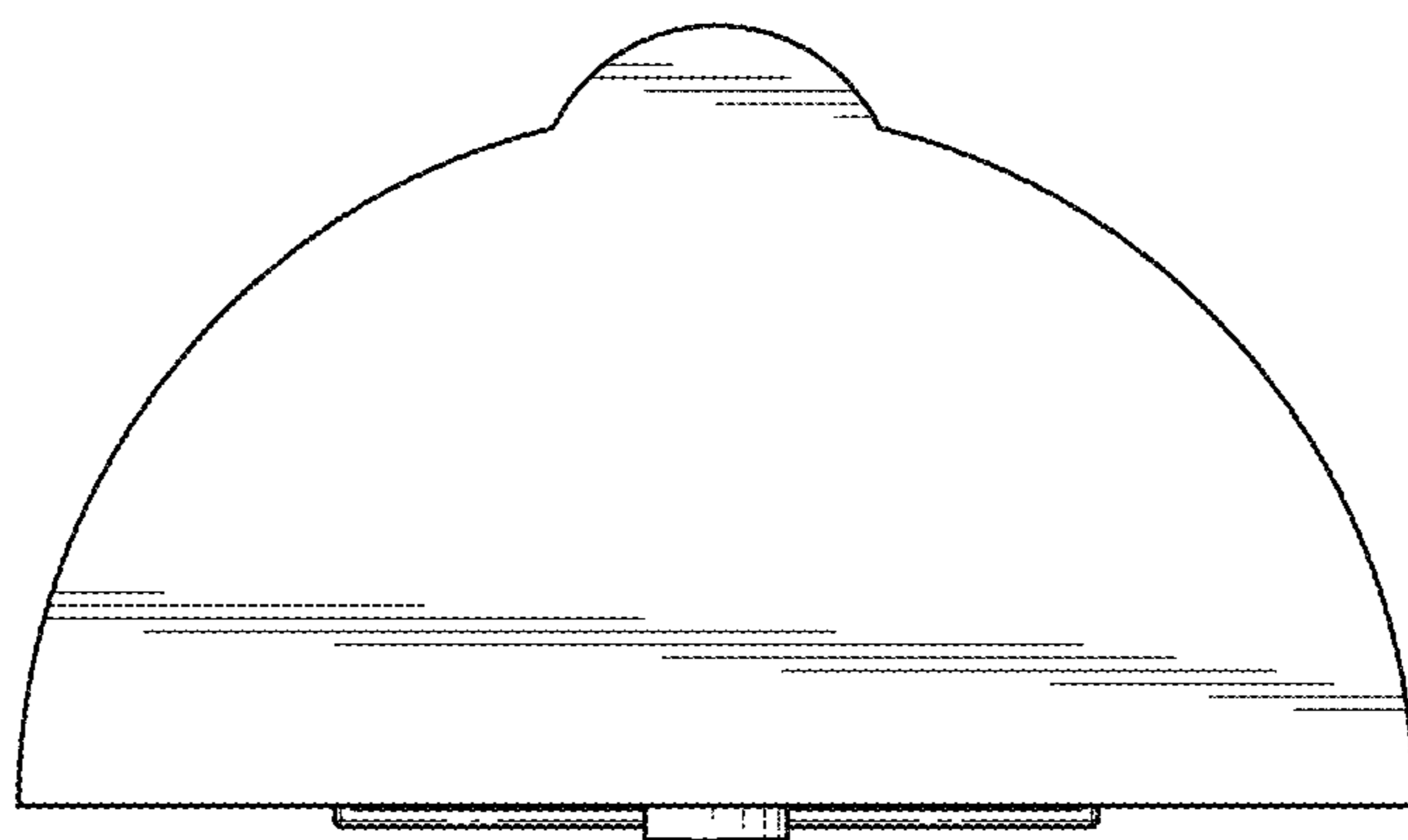


FIG. 5



*FIG. 6*



*FIG. 7*