



US00D766370S

(12) **United States Design Patent** (10) **Patent No.:** **US D766,370 S**  
**Hoch et al.** (45) **Date of Patent:** **\*\* Sep. 13, 2016**

(54) **BOARD**  
(71) Applicant: **UBRANDS, LLC**, Mission Viejo, CA (US)  
(72) Inventors: **Ben Hoch**, Irvine, CA (US); **Michael Cerillo**, San Clemente, CA (US)  
(73) Assignee: **UBRANDS, LLC**, Mission Viejo, CA (US)  
(\*\*) Term: **14 Years**  
(21) Appl. No.: **29/498,023**  
(22) Filed: **Jul. 30, 2014**  
(51) **LOC (10) Cl.** ..... **19-06**  
(52) **U.S. Cl.**  
USPC ..... **D19/113**  
(58) **Field of Classification Search**  
USPC ..... D6/300-314; D7/698; D11/132-140;  
D19/101, 113, 114, 88  
CPC ..... B43L 1/00; B43L 1/04; B43L 5/00;  
G09F 7/02; G09F 7/04; G09F 7/06; G09F  
7/08; G09F 2007/1843; G09F 15/00; G09F  
15/0006  
See application file for complete search history.

(56) **References Cited**  
U.S. PATENT DOCUMENTS  
D122,771 S \* 10/1940 Doner ..... D6/300  
2,347,176 A \* 4/1944 Doner ..... A47G 1/215  
248/469  
D138,526 S \* 8/1944 Spaldo ..... D6/300  
3,171,223 A \* 3/1965 Josephson ..... G09F 15/0012  
40/530  
5,076,736 A \* 12/1991 Grewe ..... A47G 1/0605  
403/205

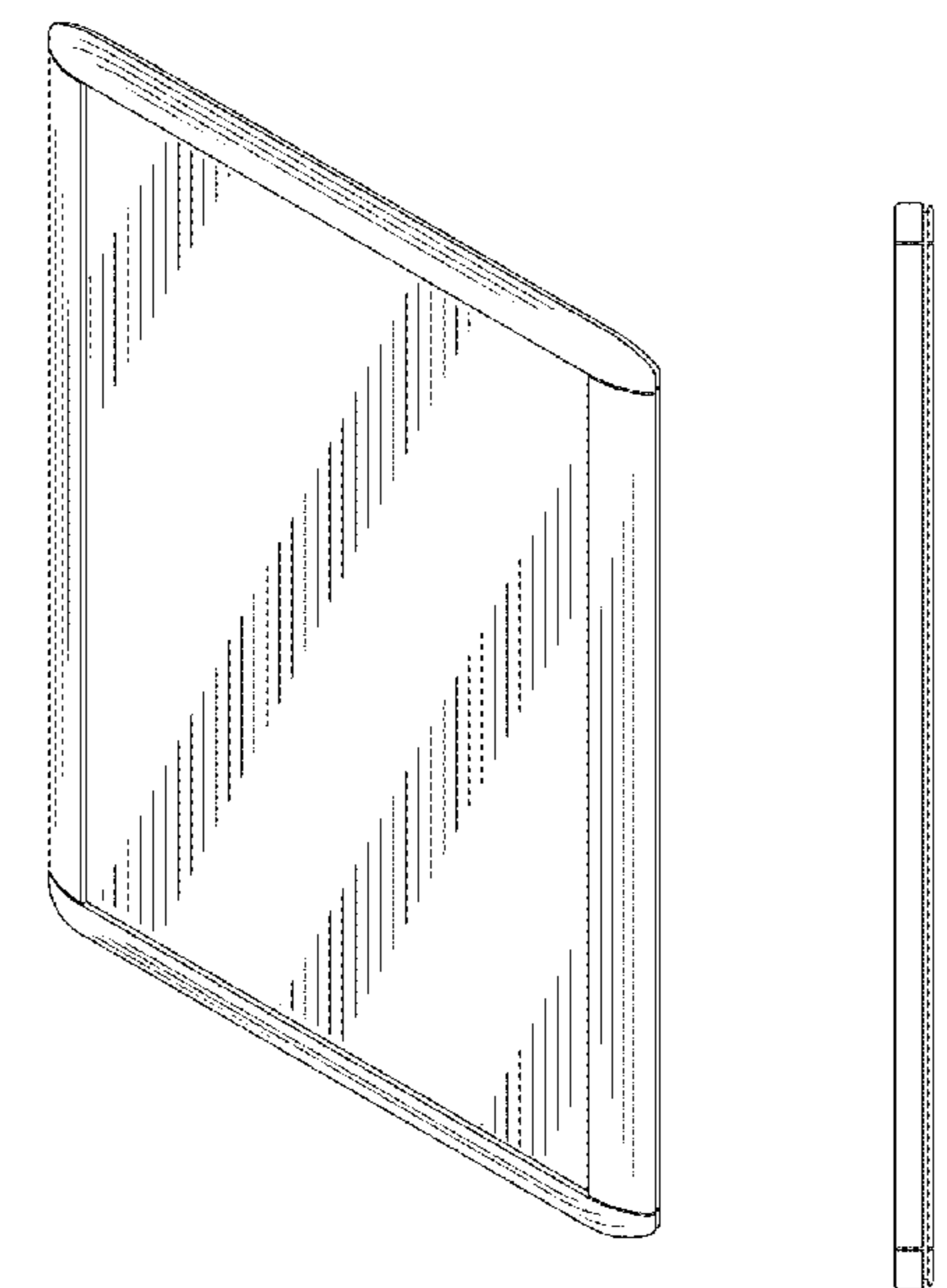
D358,716 S \* 5/1995 Chenevert ..... D30/101  
D360,078 S \* 7/1995 Sarkisian ..... D6/300  
5,732,496 A \* 3/1998 Tanaka ..... A47G 1/0611  
40/784  
D410,636 S \* 6/1999 Arthur ..... D14/341  
D432,101 S \* 10/2000 Oba ..... D14/126  
D462,353 S \* 9/2002 Kita ..... D14/374  
D495,331 S \* 8/2004 Liu ..... D14/371  
D509,543 S \* 9/2005 Hillstrom ..... D20/41  
D520,006 S \* 5/2006 Chen ..... D14/375  
D588,196 S \* 3/2009 Kang ..... D19/113  
D593,156 S \* 5/2009 Vasconcelos ..... D19/113  
D623,228 S \* 9/2010 Hoch ..... D19/113  
D627,349 S \* 11/2010 Wang ..... D14/374  
D635,189 S \* 3/2011 Bolt ..... D14/374  
D753,223 S \* 4/2016 Chin ..... D19/113

\* cited by examiner  
*Primary Examiner* — Elizabeth Albert  
(74) *Attorney, Agent, or Firm* — One3 IP Management, P.C.; Justin G. Sanders; Dean G. Stathakis

(57) **CLAIM**  
The ornamental design for a board, as shown and described.

**DESCRIPTION**  
FIG. 1 is a perspective view of our new board design; FIG. 2 is a front elevation view of the embodiment of FIG. 1; FIG. 3 is a rear elevation view thereof; FIG. 4 is a left elevation view thereof; FIG. 5 is a right elevation view thereof; FIG. 6 is a top elevation view thereof; and, FIG. 7 is a bottom elevation view thereof. Broken lines are used to illustrate features of the board and form no part of the claimed design.

**1 Claim, 2 Drawing Sheets**



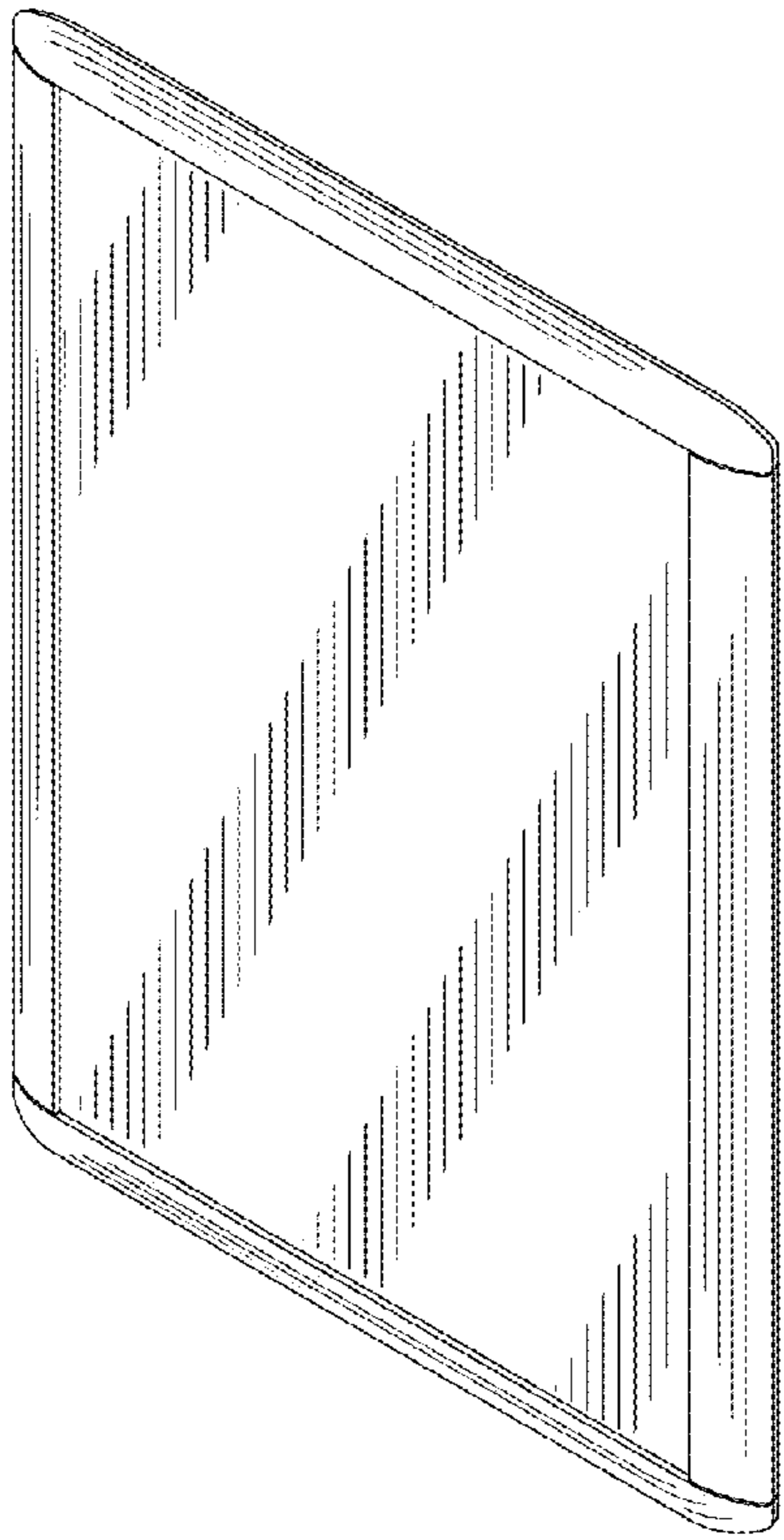


FIG. 1

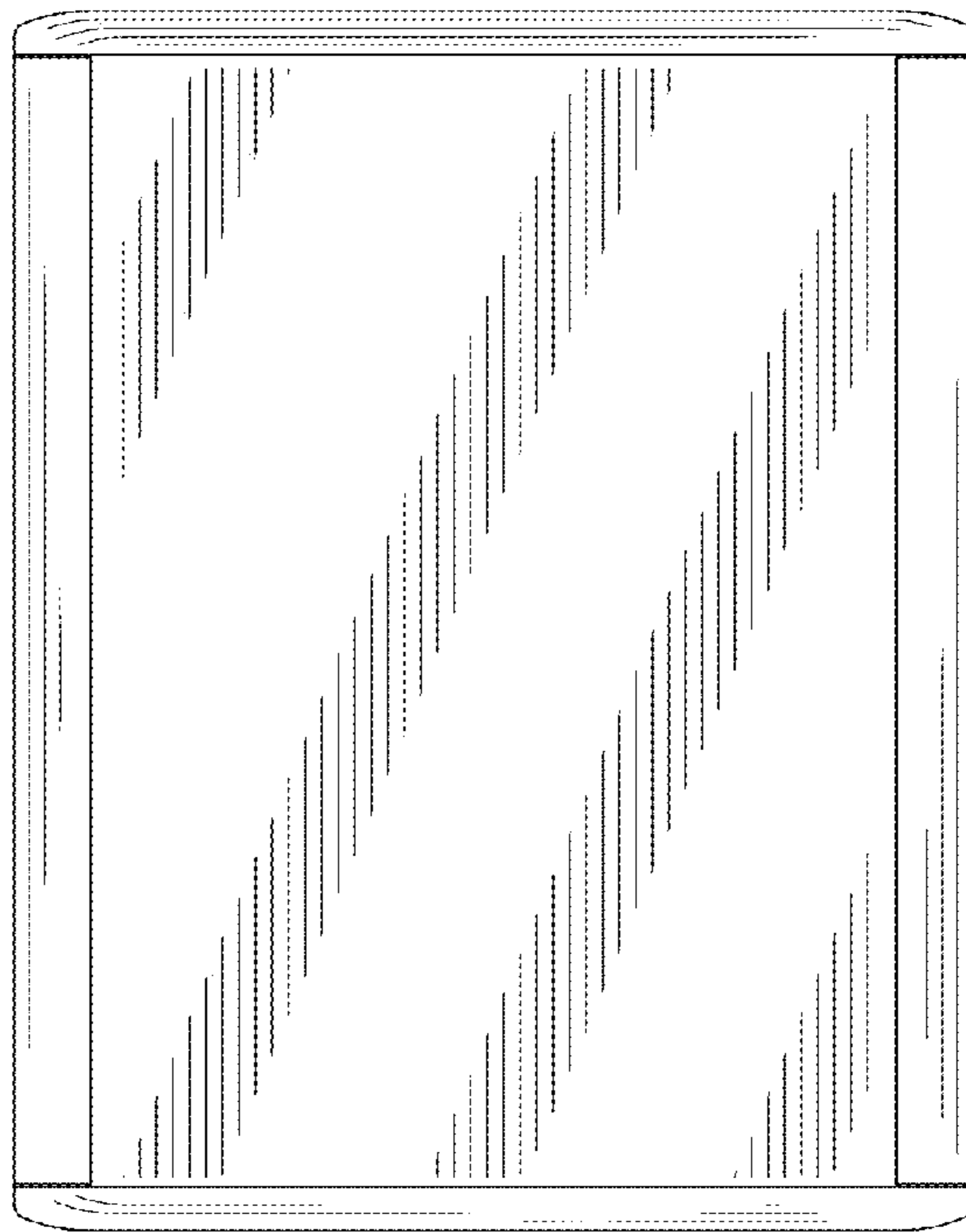


FIG. 2

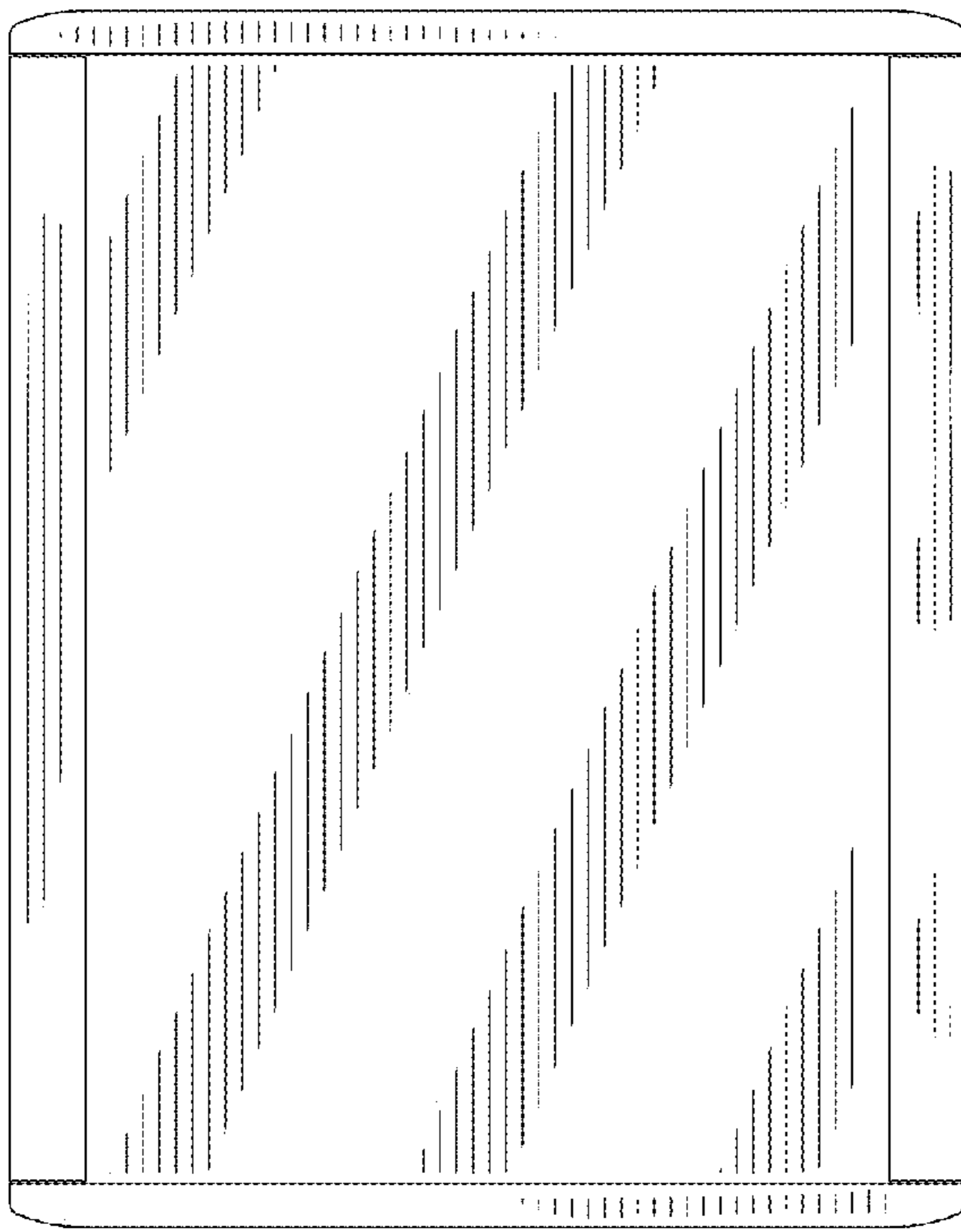


FIG. 3

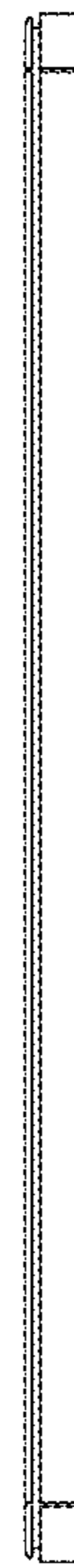


FIG. 4

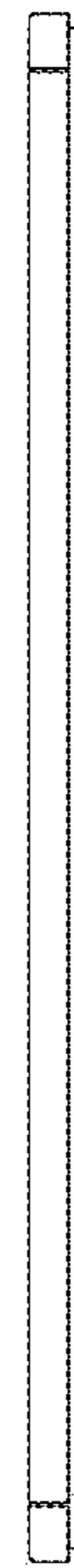


FIG. 5

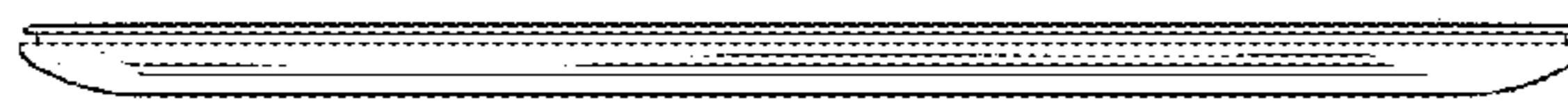


FIG. 6

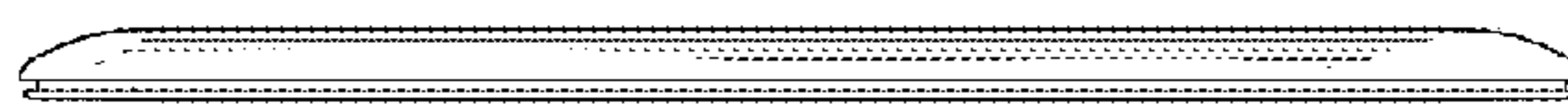


FIG. 7