



US00D766364S

(12) **United States Design Patent**
Nelson et al.

(10) **Patent No.:** **US D766,364 S**

(45) **Date of Patent:** **** Sep. 13, 2016**

(54) **GREETING CARD**

(71) Applicant: **American Greetings Corporation,**
Cleveland, OH (US)

(72) Inventors: **Gary Nelson,** Avon, OH (US); **Melissa
Flesher,** Avon, OH (US)

(73) Assignee: **American Greetings Corporation,**
Cleveland, OH (US)

(**) Term: **15 Years**

(21) Appl. No.: **29/527,785**

(22) Filed: **May 21, 2015**

(51) **LOC (10) Cl.** **19-01**

(52) **U.S. Cl.**
USPC **D19/2**

(58) **Field of Classification Search**
USPC D19/1-12, 20-34; D20/10, 22, 27, 40,
D20/42; 428/15-20, 27, 8-9; 229/67.1,
229/92.8, 92, 92.1, 300-303; 220/495.03;
283/117, 56, 2-4, 74-75, 103,
283/105-106; 446/147-149, 487-488;
206/461, 575, 577, 45.28, 45.29,
206/767-768, 449, 308.3;
40/124.01-124.15, 124.19, 538-539,
40/421

CPC .. B42D 15/00; B42D 15/022; B42D 15/042;
B42D 15/027; B42D 15/045; B42D 25/00;
B42D 25/20; B42D 25/30; B42D 25/23;
B42D 25/26; B42D 25/29; G09F 1/00;
G09F 1/06; G09F 1/08; G09F 19/00; G09F
19/02; G09F 19/08

See application file for complete search history.

(56) **References Cited**

U.S. PATENT DOCUMENTS

D304,459 S *	11/1989	Lambert	D19/1
D312,655 S *	12/1990	Faiola	D19/1
D383,489 S *	9/1997	Gurrieri	206/232
D412,935 S *	8/1999	Finnie	D19/2
D432,570 S *	10/2000	Donaldson	D19/1
D508,260 S *	8/2005	Toth	D19/2
D653,287 S *	1/2012	Taylor	D19/2
D657,415 S *	4/2012	Taylor	D19/2
D695,340 S *	12/2013	Shlonsky	D19/9
8,683,721 B1 *	4/2014	Bogdanski	A63F 7/022 40/124.02
9,216,608 B1 *	12/2015	Nelson	B42D 15/045

* cited by examiner

Primary Examiner — Abraham Bahta

(74) *Attorney, Agent, or Firm* — Christine Flanagan

(57) **CLAIM**

The ornamental design for a greeting card, as shown and described.

DESCRIPTION

FIG. 1 is perspective view of the greeting card of the present invention, in a closed position.

FIG. 2 is a front view of the greeting card of FIG. 1.

FIG. 3 is a rear view of the greeting card of FIG. 1.

FIG. 4 is left side view of the greeting card of FIG. 1.

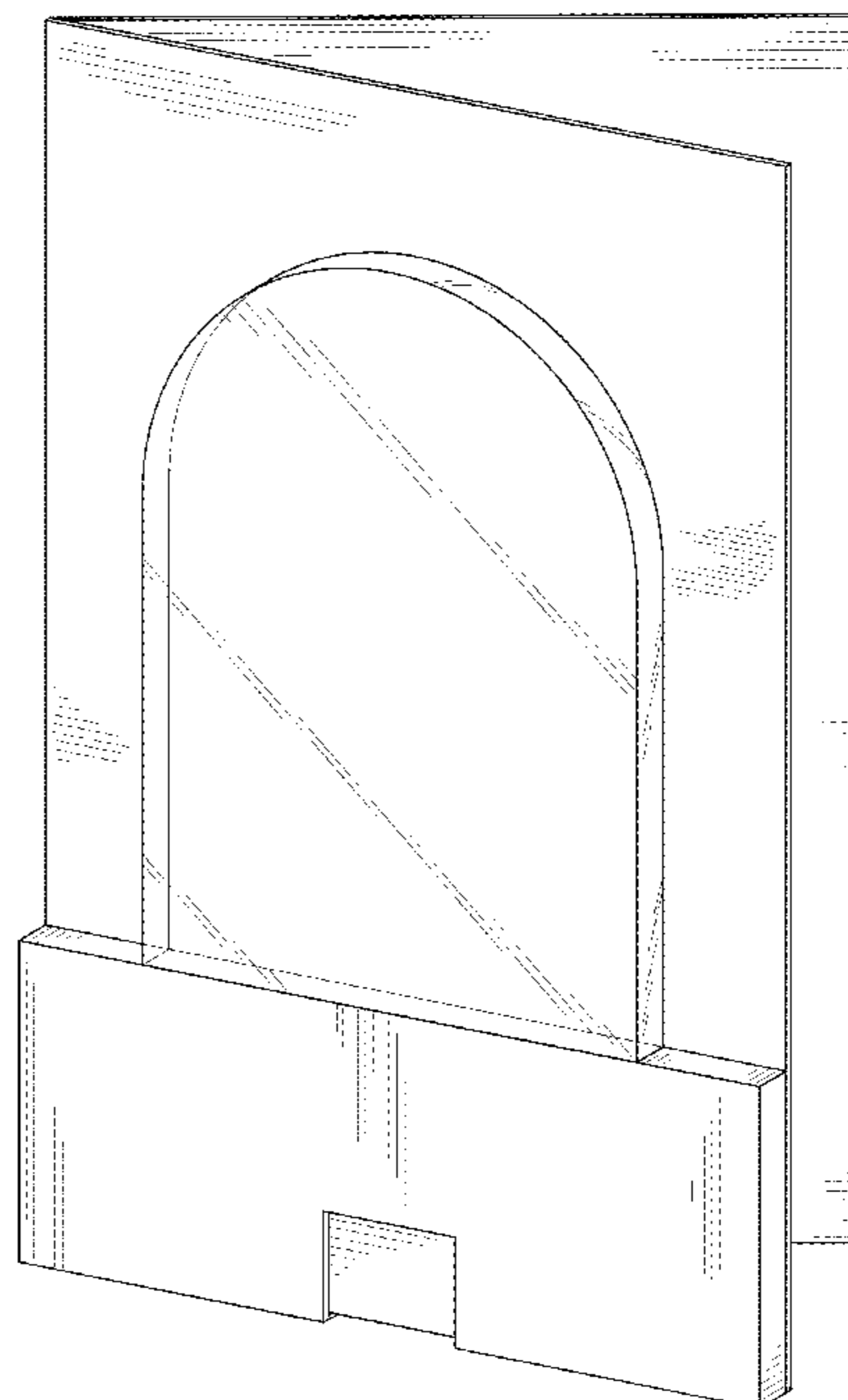
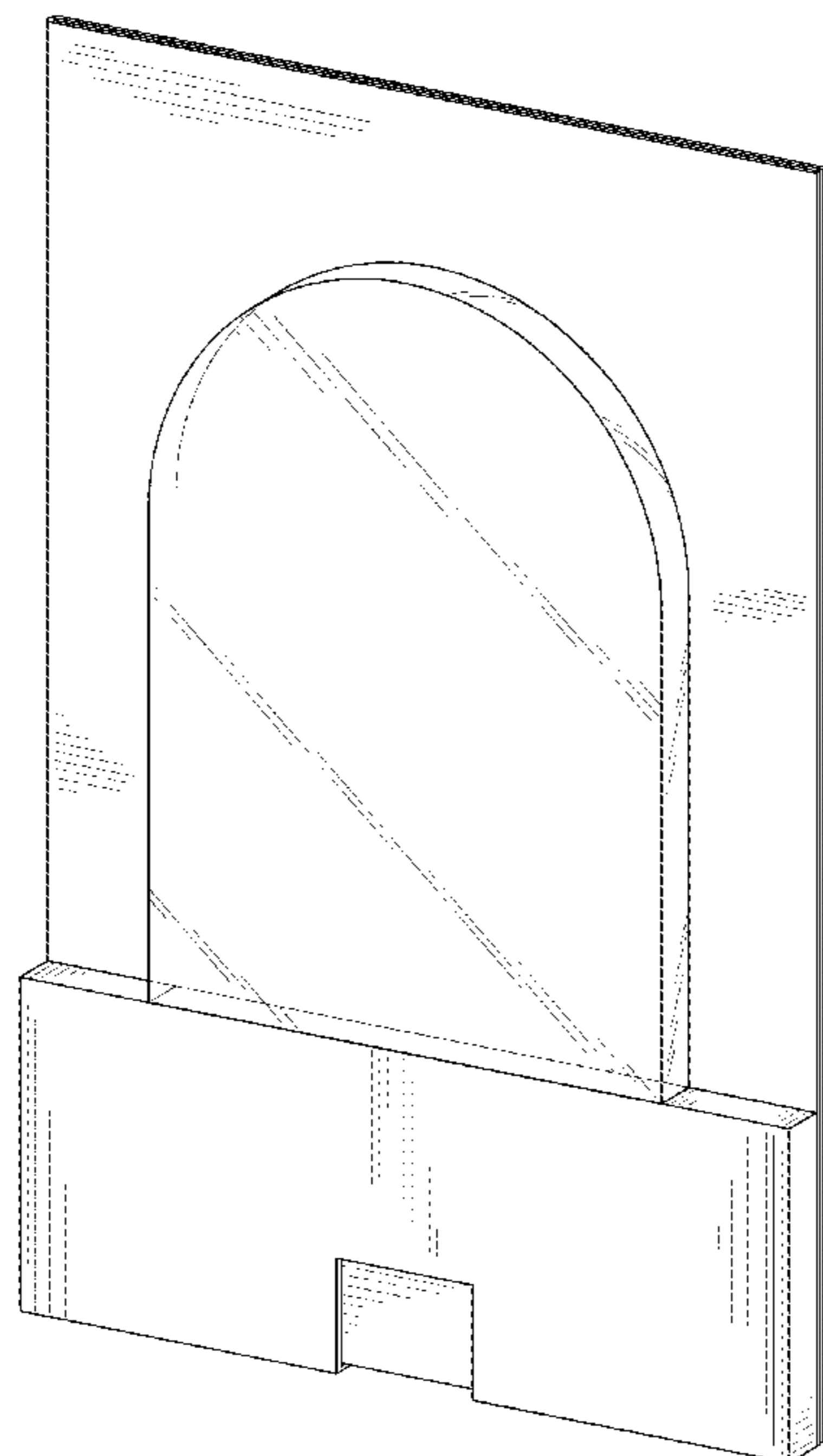
FIG. 5 is a right side view of the greeting card of FIG. 1.

FIG. 6 is a top view of the greeting card of FIG. 1.

FIG. 7 is a bottom view of the greeting card of FIG. 1; and,

FIG. 8 is a perspective view of the greeting card of FIG. 1, in an open position.

1 Claim, 6 Drawing Sheets



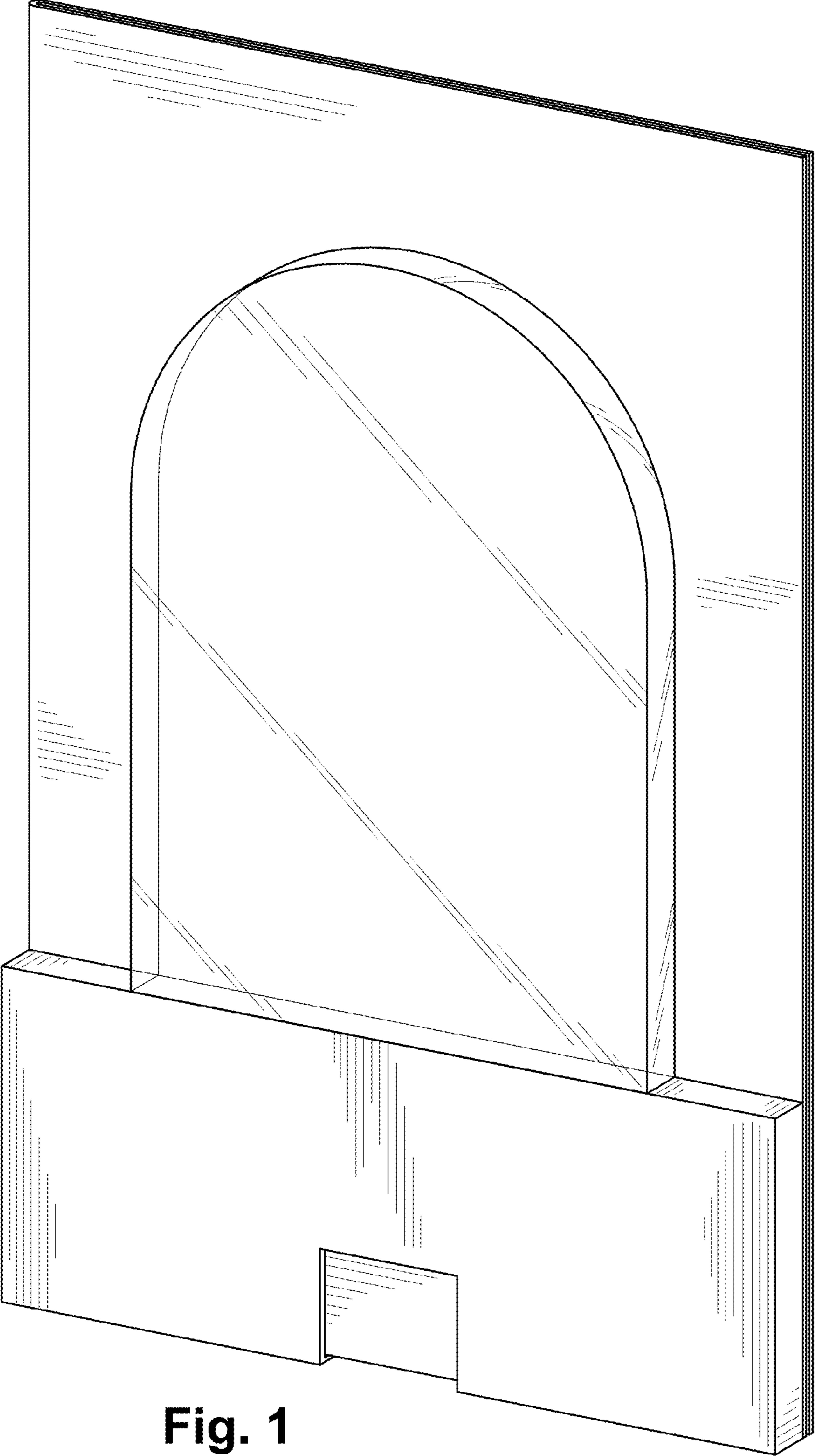


Fig. 1

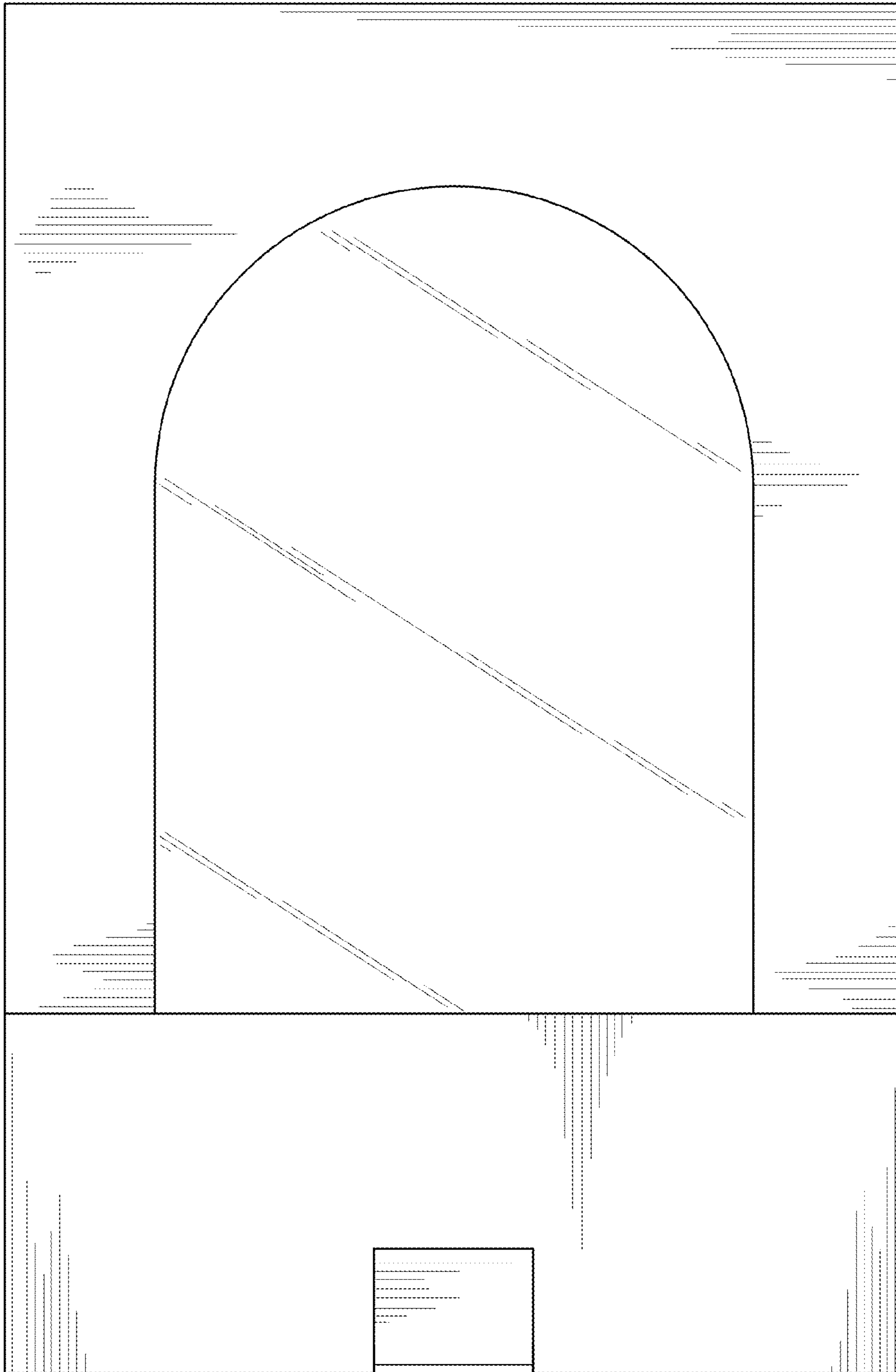


Fig. 2

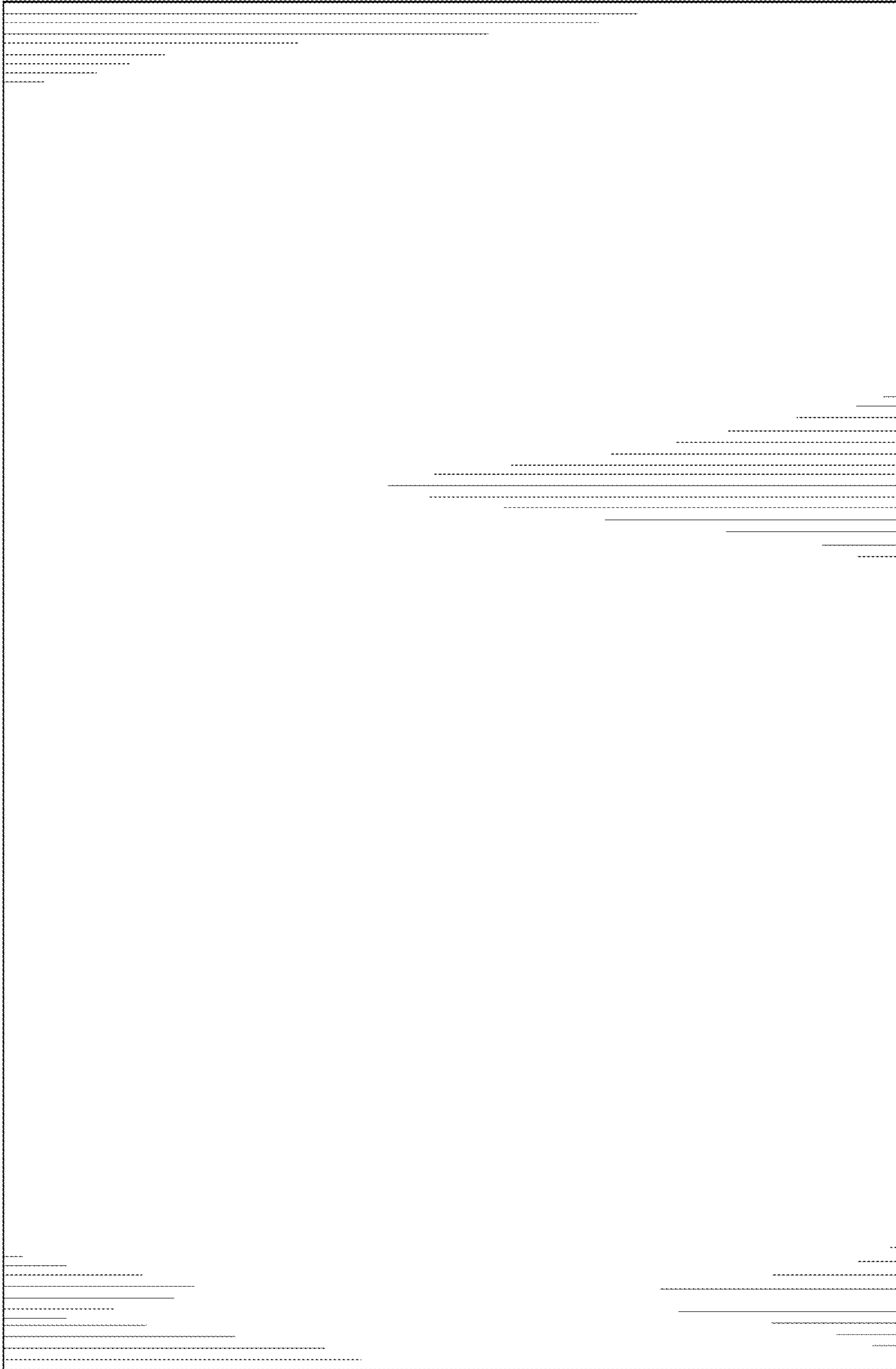


Fig. 3

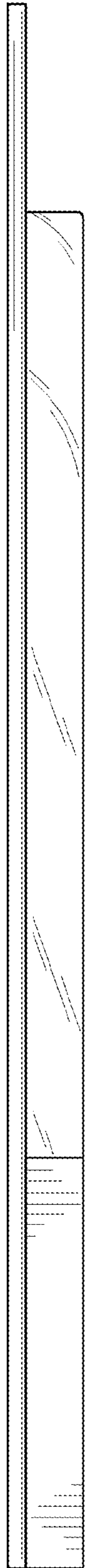


Fig. 4

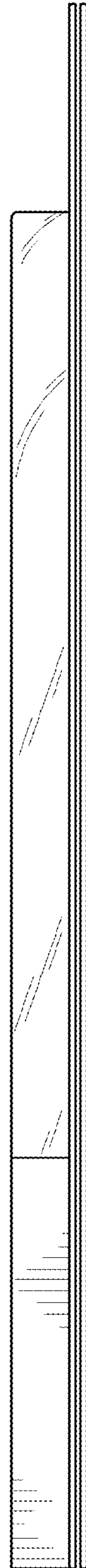


Fig. 5

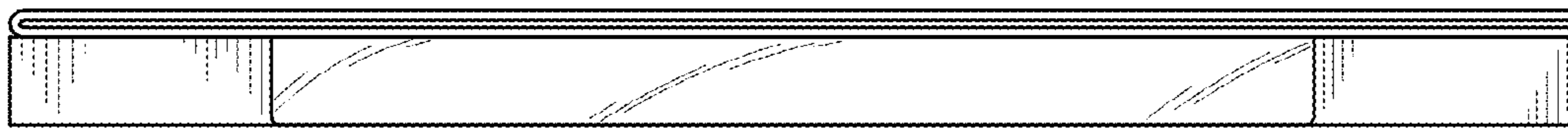


Fig. 6



Fig. 7

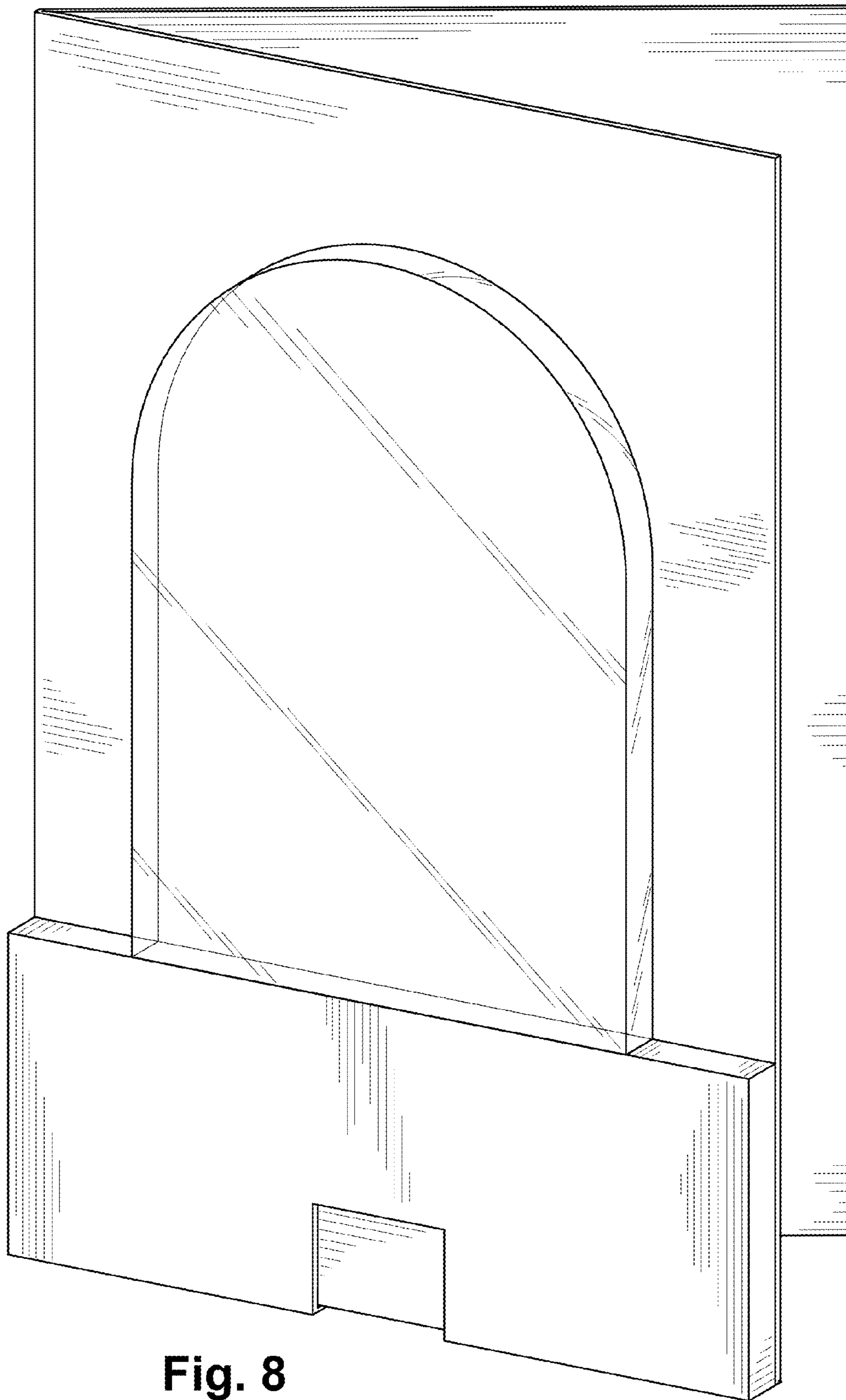


Fig. 8