



US00D766357S

(12) **United States Design Patent**
Farioli et al.

(10) **Patent No.:** **US D766,357 S**

(45) **Date of Patent:** **** *Sep. 13, 2016**

(54) **STAMP**

(71) Applicants: **Massimo Farioli**, Cento-Frazione
Renazzo (IT); **Marcello Micheloni**,
Sassuolo (IT)

(72) Inventors: **Massimo Farioli**, Cento-Frazione
Renazzo (IT); **Marcello Micheloni**,
Sassuolo (IT)

(*) Notice: This patent is subject to a terminal dis-
claimer.

(**) Term: **14 Years**

(21) Appl. No.: **29/507,619**

(22) Filed: **Oct. 29, 2014**

(30) **Foreign Application Priority Data**

Apr. 30, 2014 (EM) 002455634-0002

(51) **LOC (10) Cl.** **19-02**

(52) **U.S. Cl.**
USPC **D18/16**

(58) **Field of Classification Search**
USPC D18/16, 15, 17, 18, 50; D19/65-68, 70,
D19/71; 101/104, 333, 334, 327, 328, 405,
101/406; 118/264, 268
CPC B41K 1/00; B41K 1/006; B41K 1/02;
B41K 1/08; B41K 1/40; B41K 1/42; B41K
1/52; B41K 1/54; B41K 1/56
See application file for complete search history.

(56) **References Cited**

U.S. PATENT DOCUMENTS

D26,484 S * 1/1897 Takeda D18/15
878,420 A * 2/1908 Majewski B41K 1/54
101/333

D204,554 S * 4/1966 Takahashi D18/15
3,282,209 A * 11/1966 Muskin B41K 1/04
101/103
D219,075 S * 10/1970 Majewski D18/17
D247,063 S * 1/1978 Funahashi D18/17
5,048,415 A * 9/1991 Shih B41K 1/04
101/103
D465,512 S * 11/2002 Katzen D18/15
6,834,584 B1 * 12/2004 MacNeil B41K 1/50
101/103
D566,752 S * 4/2008 Stoneberg D18/15
D584,763 S * 1/2009 Yonezu D18/18
D688,326 S * 8/2013 Colwell D18/15
2007/0251172 A1 * 11/2007 Cramer B44C 1/28
52/384

FOREIGN PATENT DOCUMENTS

CN 301795318 * 1/2011

* cited by examiner

Primary Examiner — Bridget L Eland
Assistant Examiner — Lauren McVey
(74) *Attorney, Agent, or Firm* — Ladas & Parry LLP

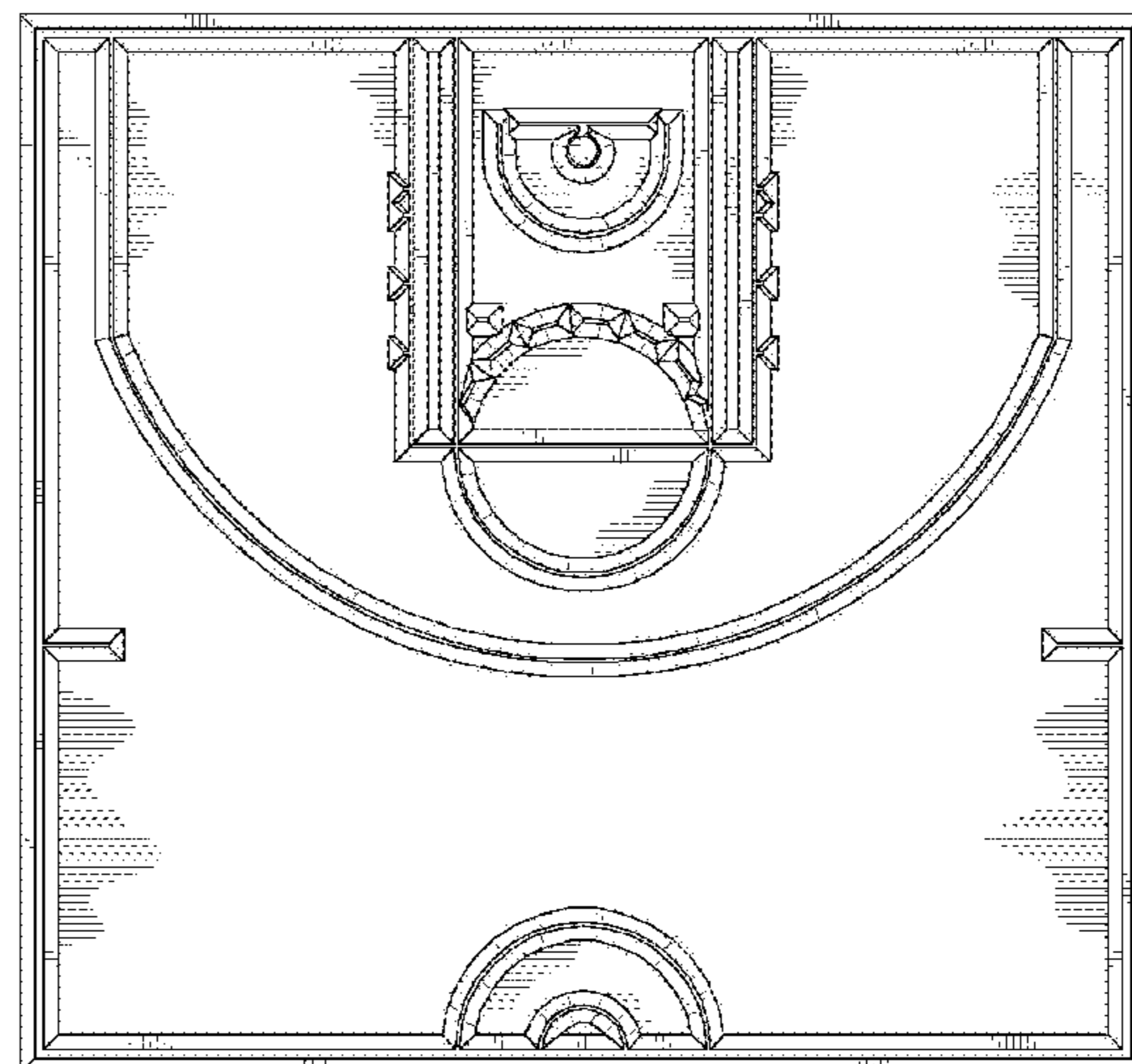
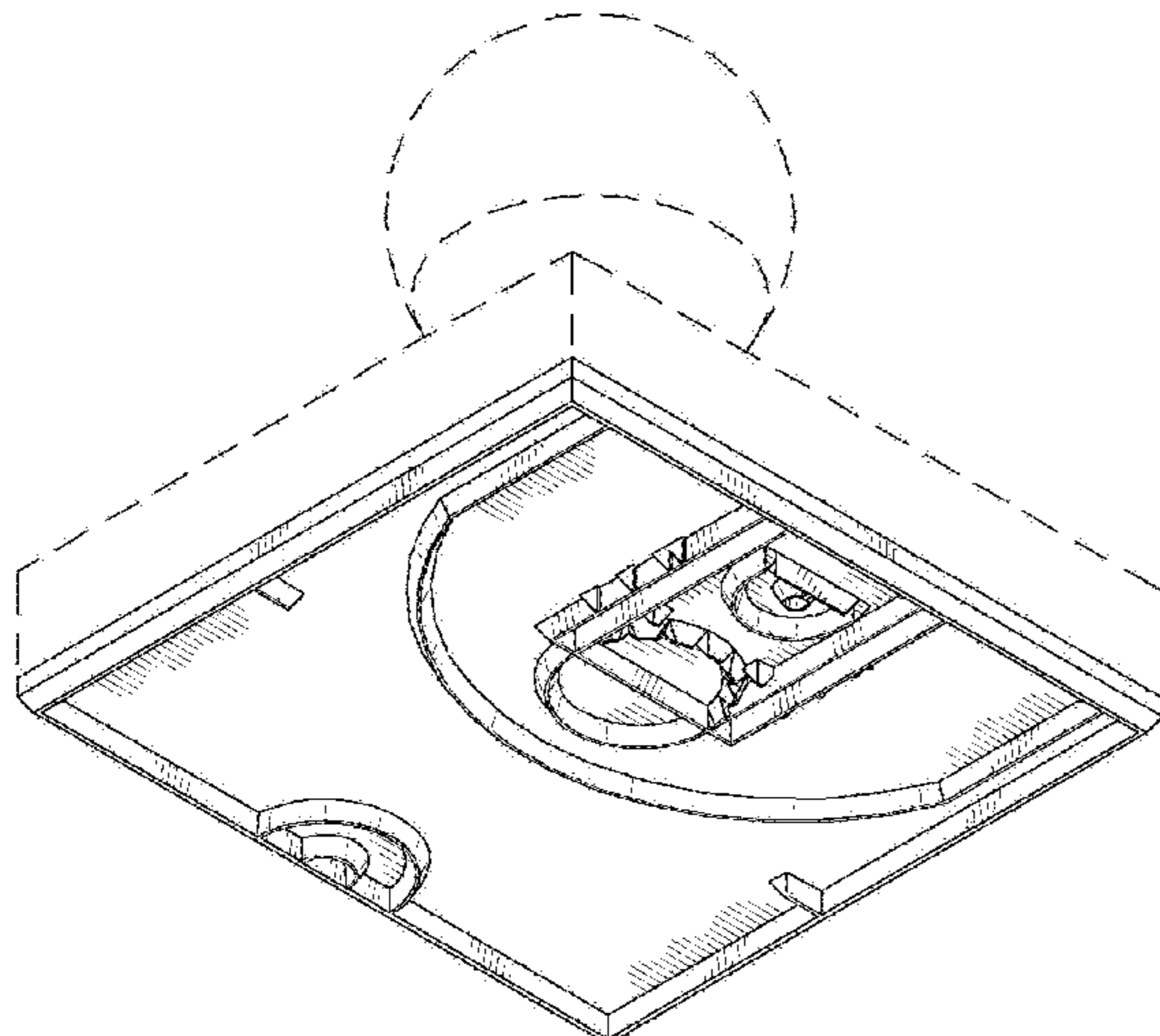
(57) **CLAIM**

The ornamental design for a stamp, as shown and described.

DESCRIPTION

FIG. 1 is a front left perspective view of a stamp showing our new design;
FIG. 2 is a front right perspective view thereof;
FIG. 3 is a plan view thereof; and,
FIG. 4 is a rear side elevation view thereof.
The broken lines shown in the views are included for the purpose of illustrating portions of the stamp that form no part of the claimed design.

1 Claim, 4 Drawing Sheets



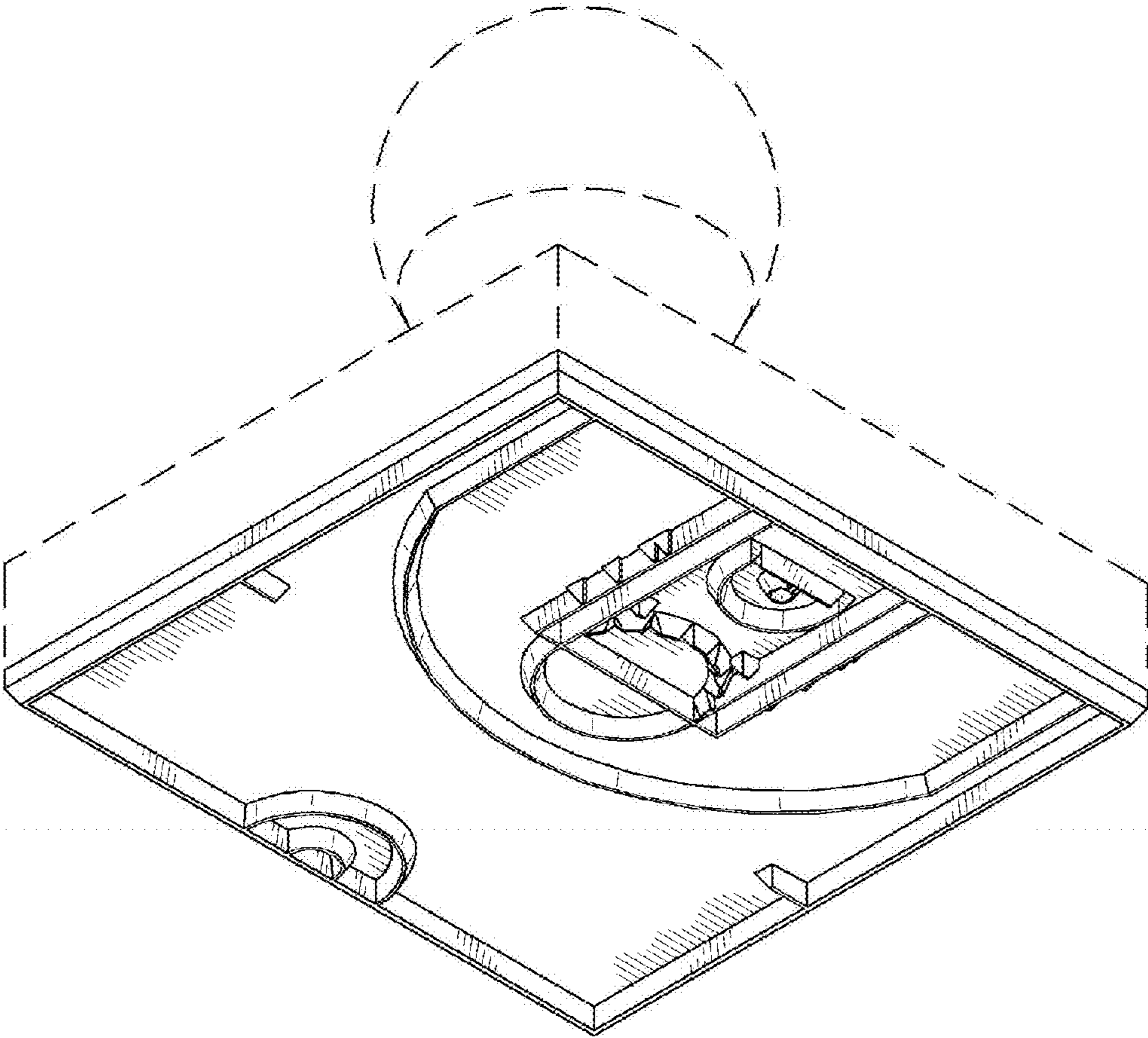


FIG. 1

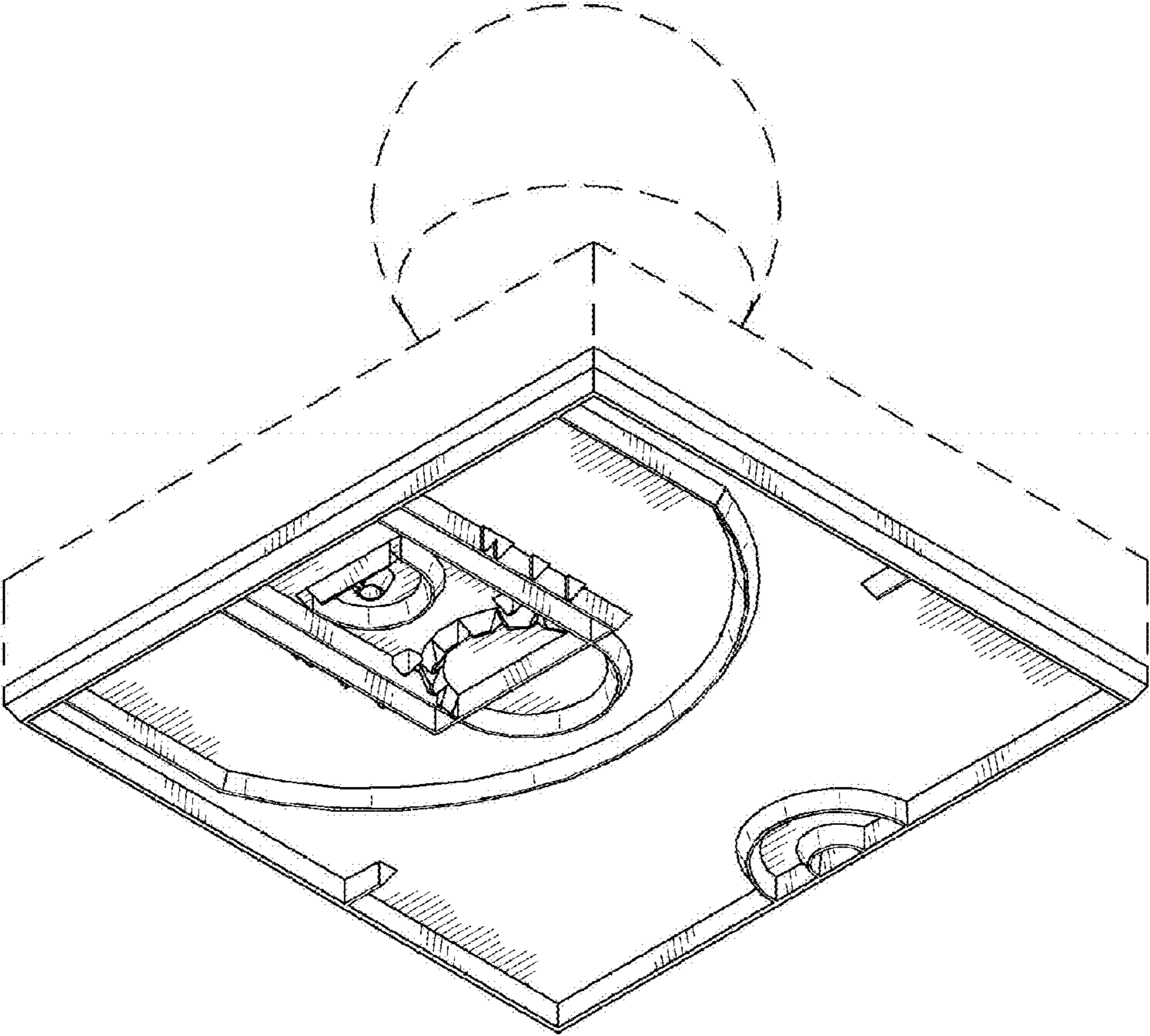


FIG. 2

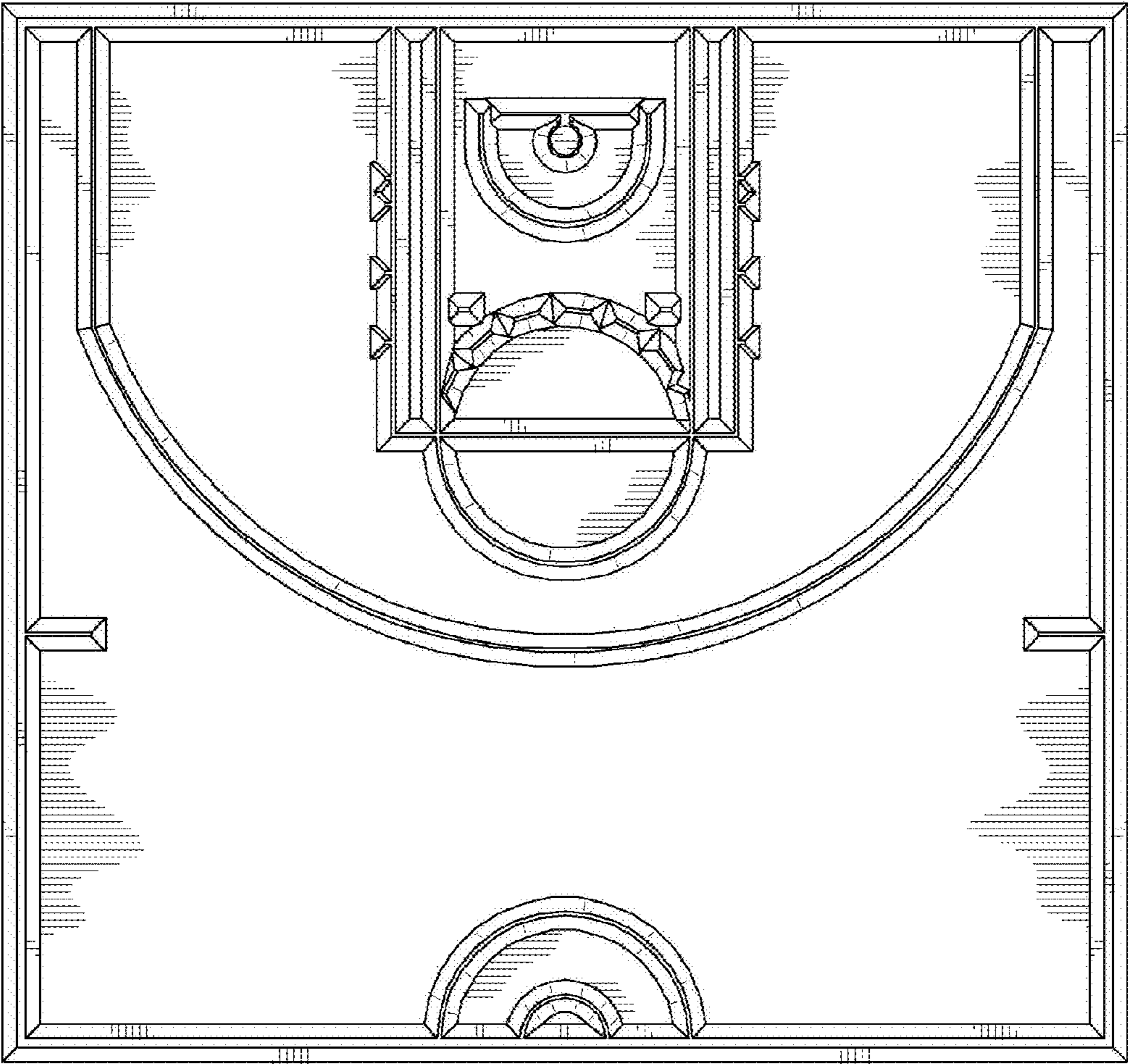


FIG. 3

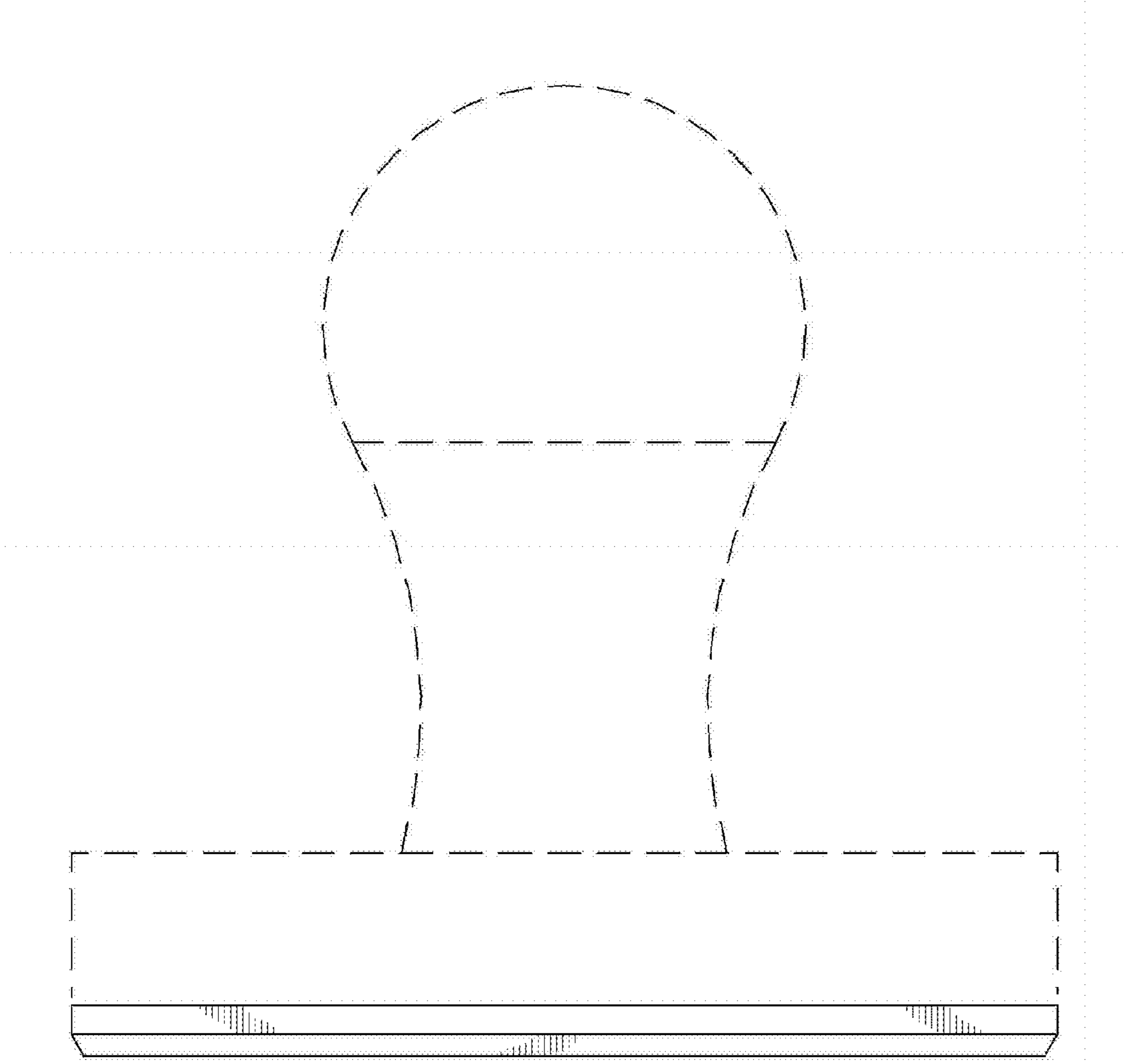


FIG. 4