

US00D766353S

(12) **United States Design Patent**
Hayashi

(10) **Patent No.:** **US D766,353 S**

(45) **Date of Patent:** **** Sep. 13, 2016**

(54) **DIGITAL CAMERA**

(71) Applicant: **Samsung Electronics Co., Ltd.**,
Suwon-si (KR)

(72) Inventor: **Haruo Hayashi**, Seoul (KR)

(73) Assignee: **Samsung Electronics Co., Ltd.**,
Suwon-si (KR)

(**) Term: **14 Years**

(21) Appl. No.: **29/472,743**

(22) Filed: **Nov. 15, 2013**

(30) **Foreign Application Priority Data**

May 16, 2013 (KR) 30-2013-0025776

(51) **LOC (10) Cl.** **16-05**

(52) **U.S. Cl.**
USPC **D16/219**

(58) **Field of Classification Search**
USPC D16/200, 202-206, 208, 218, 219, 242;
348/373-376; 396/535, 539-541
CPC G03B 15/03; G03B 17/02; G03B 17/04;
G03B 17/56; G03B 19/04; H04N 5/2251;
H04N 5/2252; H04N 5/2253; H04N 5/2254;
H04N 2101/00

See application file for complete search history.

(56) **References Cited**

U.S. PATENT DOCUMENTS

D289,657 S * 5/1987 Colani D16/200
D449,629 S * 10/2001 Ogura D16/200

D517,587 S * 3/2006 Eroma D16/200
D537,465 S * 2/2007 Tainaka D16/200
D540,839 S * 4/2007 Martres D16/219
D682,338 S * 5/2013 Uemachi D16/202
D710,923 S * 8/2014 Watanabe D16/202
D712,946 S * 9/2014 Hong D16/202
D728,652 S * 5/2015 Hayashi D16/202

* cited by examiner

Primary Examiner — Philip S Hyder

Assistant Examiner — Ramzi Almatrahi

(74) *Attorney, Agent, or Firm* — NSIP Law

(57) **CLAIM**

The ornamental design for a digital camera, as shown and described.

DESCRIPTION

FIG. 1 is a front perspective view of a digital camera showing my new design;

FIG. 2 is a front view thereof;

FIG. 3 is a rear view thereof;

FIG. 4 is a left-side view thereof;

FIG. 5 is a right-side view thereof;

FIG. 6 is a top view thereof; and,

FIG. 7 is a bottom view thereof.

The broken lines illustrating portions of the digital camera are for environmental purposes only and form no part of the claimed design.

The dot-dash broken lines encircling portions of the claimed design that are illustrated in enlargements form no part of the claimed design.

The dot-dash lines in the figures represent an unclaimed boundary line and form no part of the claimed design.

1 Claim, 4 Drawing Sheets

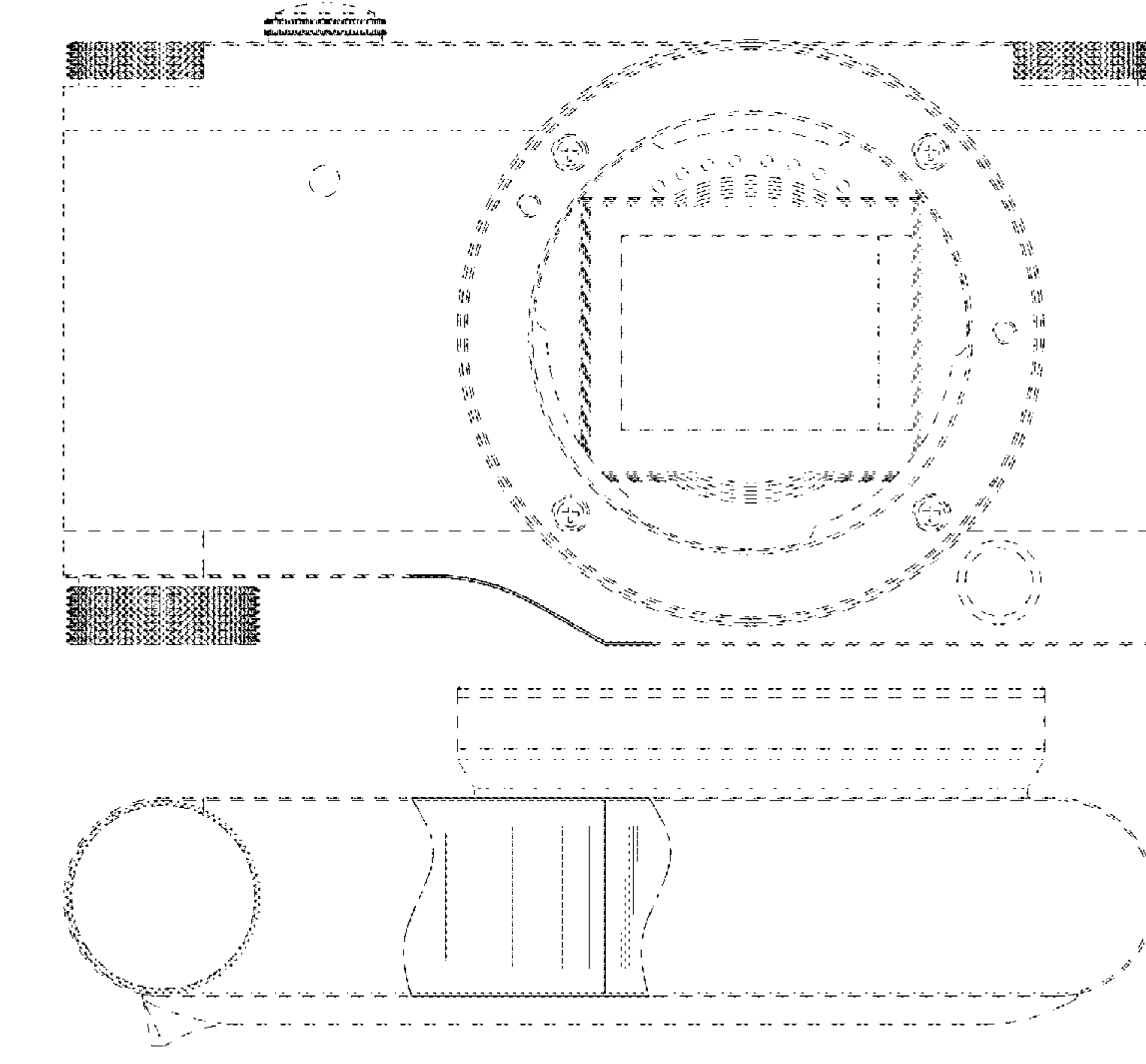


FIG. 1

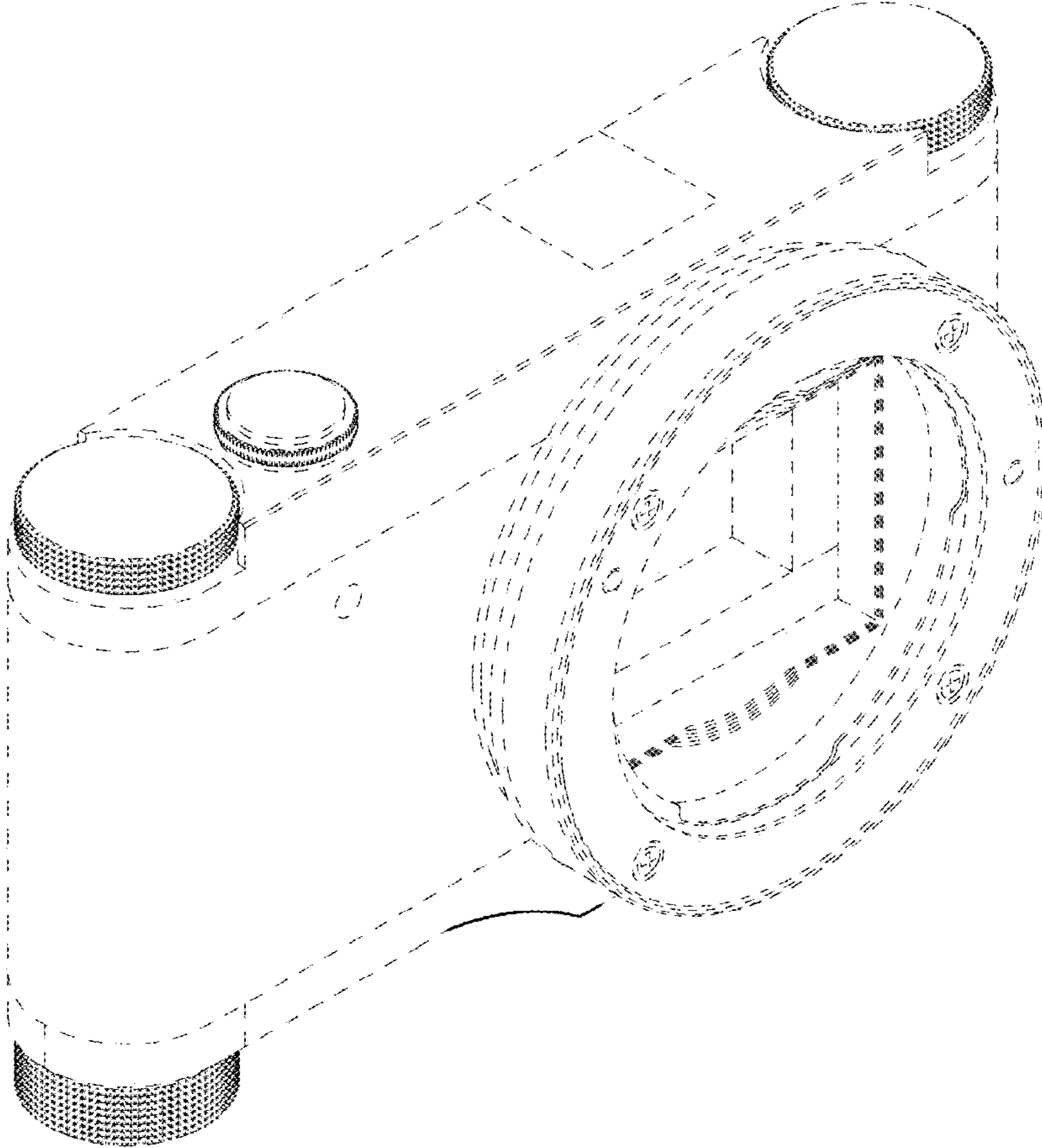


FIG. 2

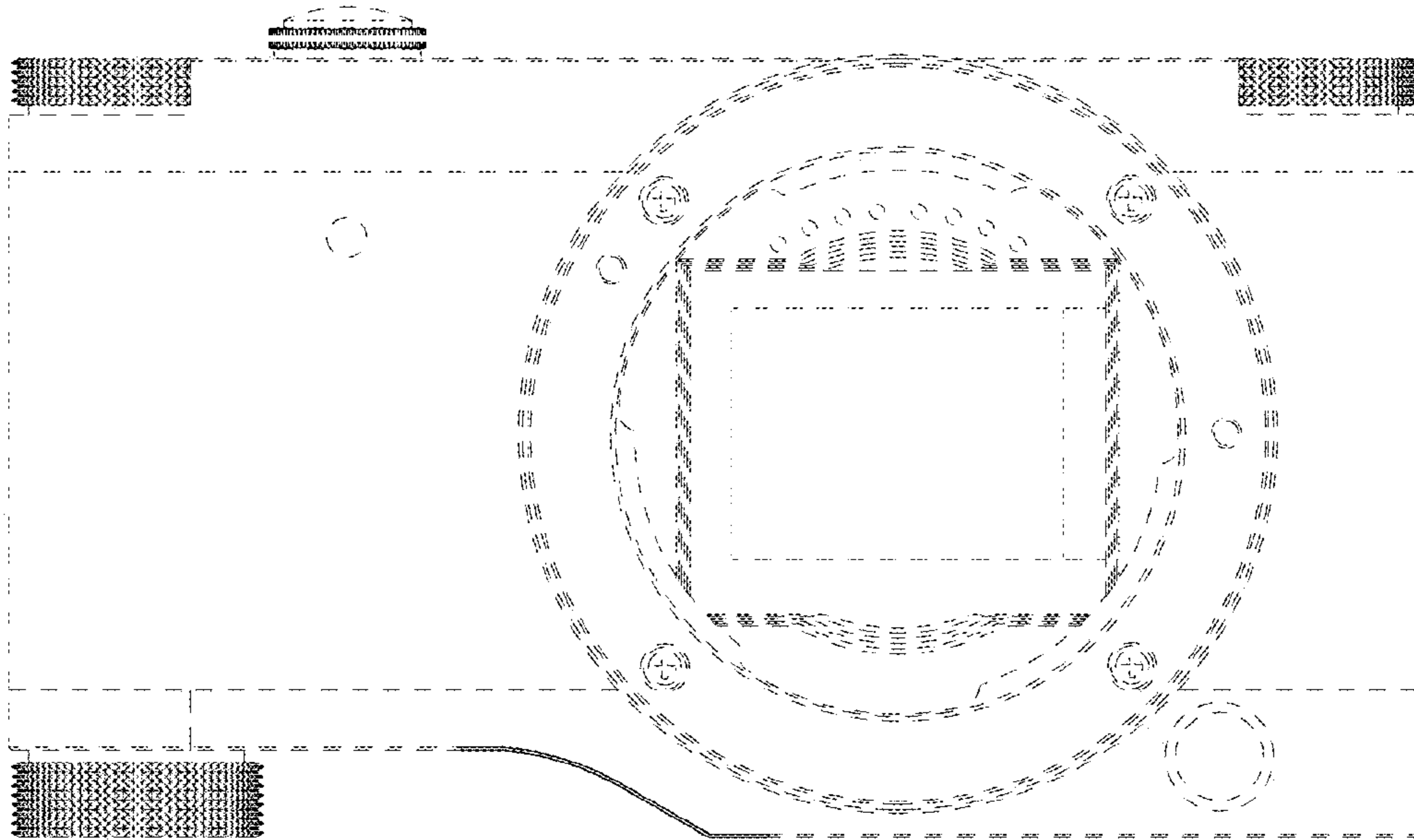


FIG. 3

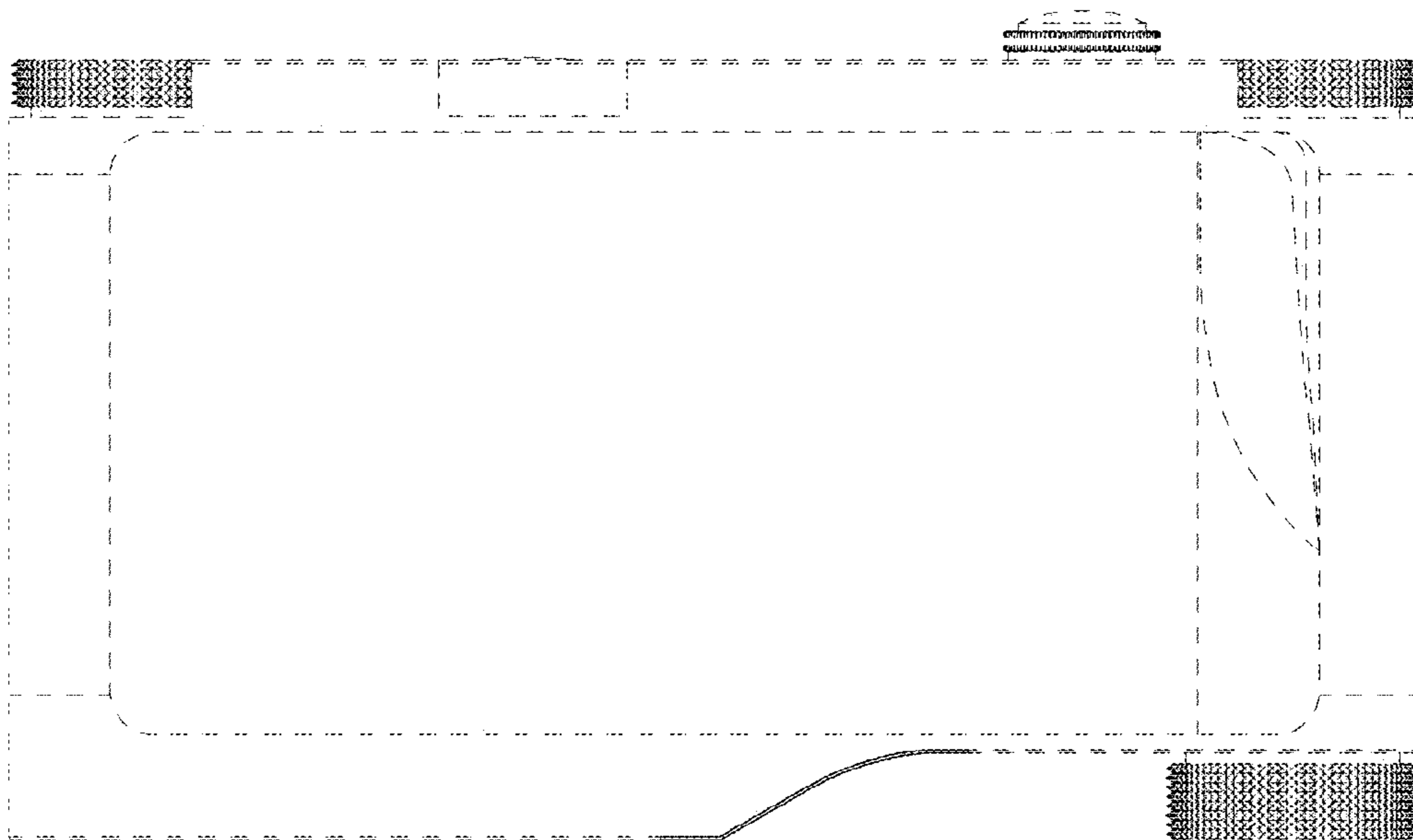


FIG. 4

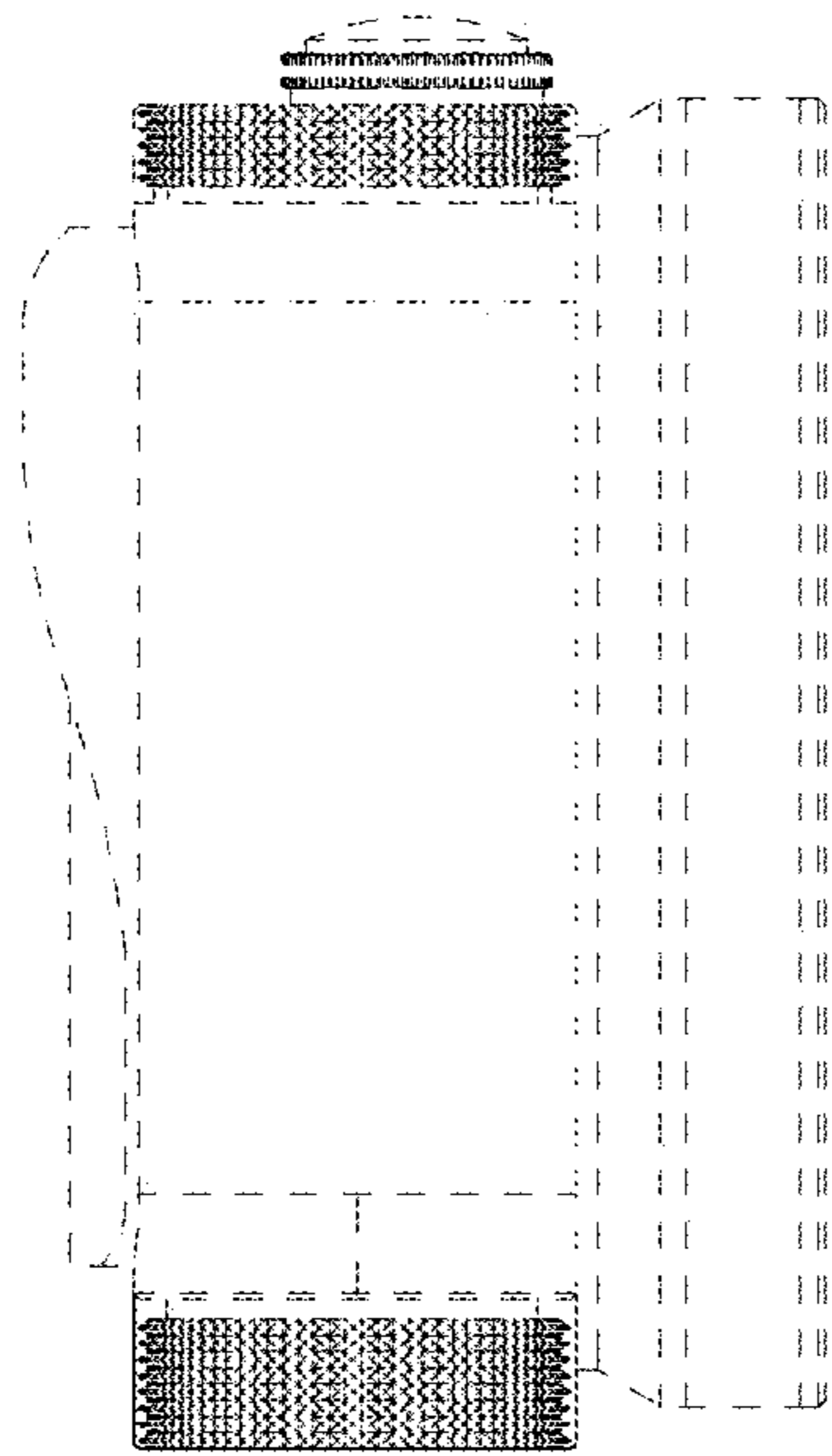


FIG. 5

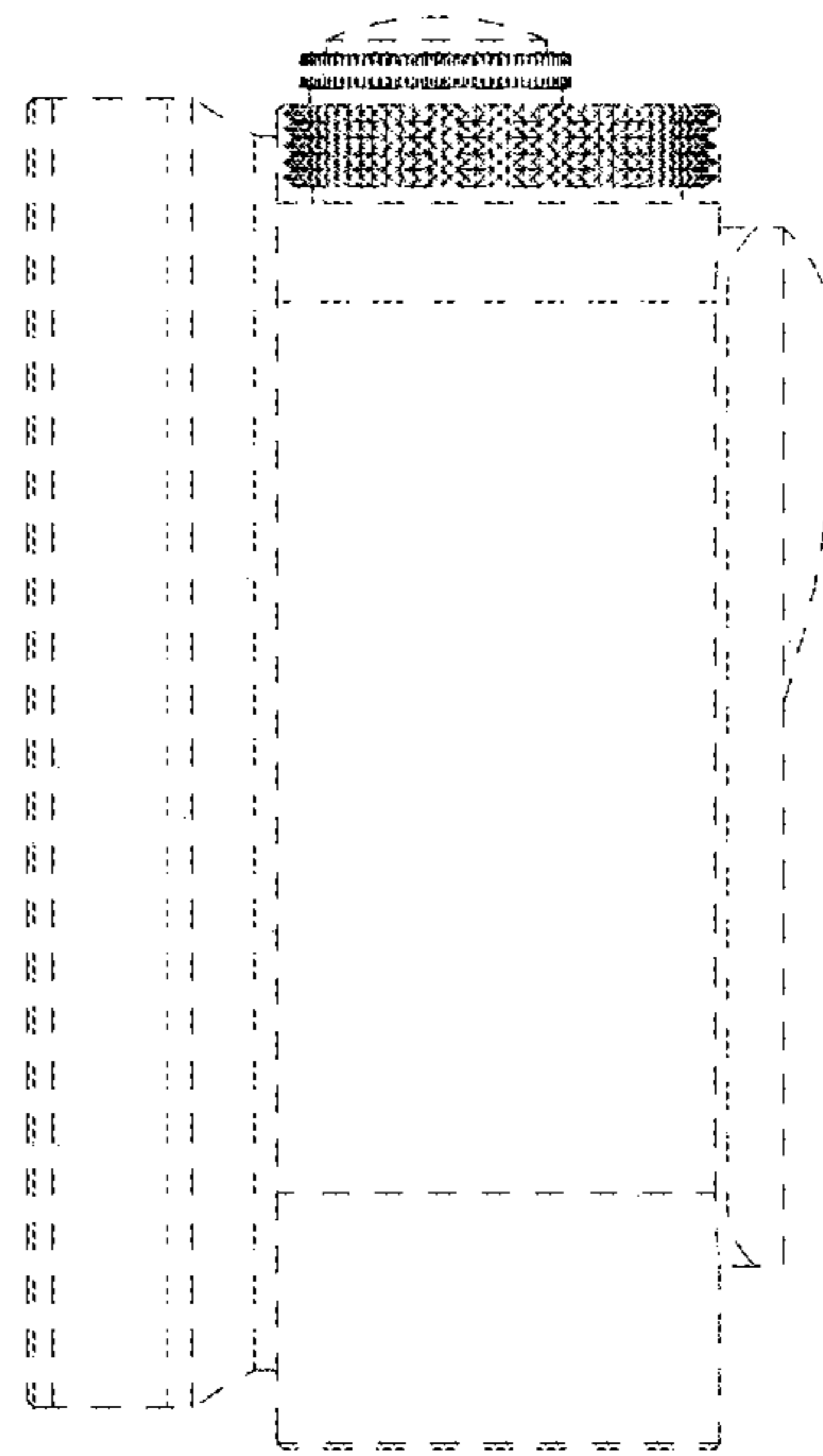


FIG.6

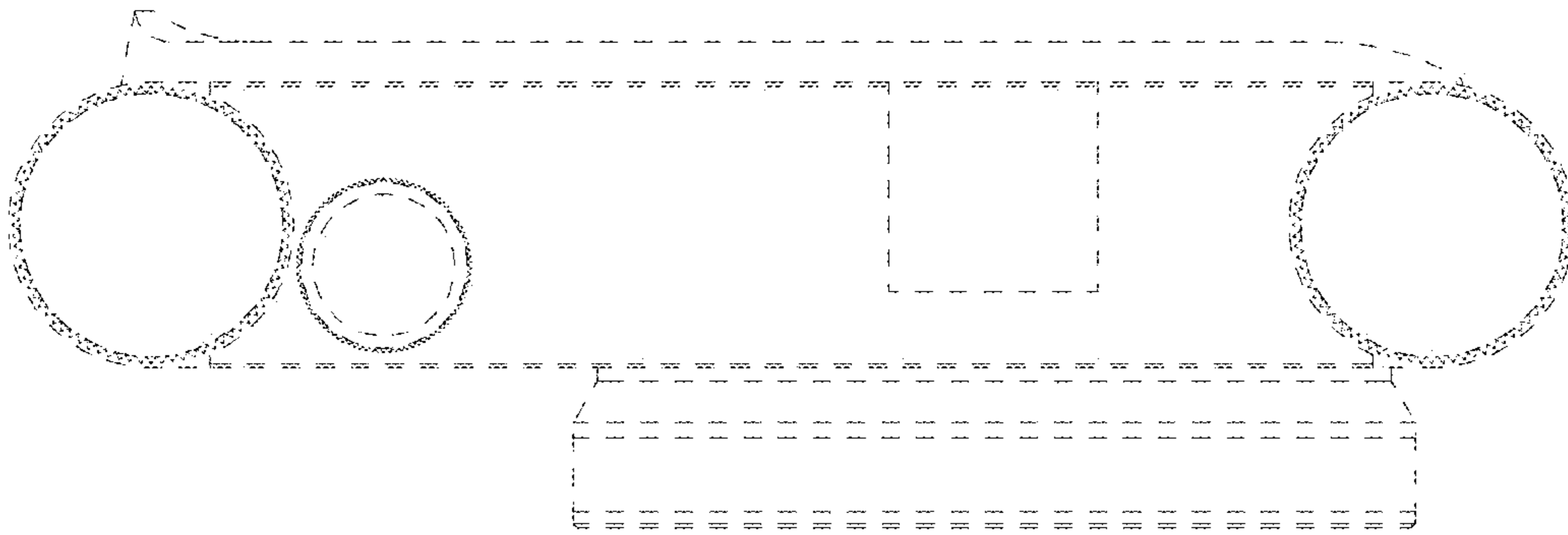


FIG.7

